



US00D433309S

United States Patent [19]

Johansson et al.

[11] Patent Number: Des. 433,309

[45] Date of Patent: ** Nov. 7, 2000

[54] LATCH

[75] Inventors: **Torsten Johansson**, Eskilstuna, Sweden; **Claes Magnusson**, London, United Kingdom; **Lynn B. Ziemer**; **Stefan Matthew Koveal**, both of Glen Mills, Pa.; **Alfred George Rundle, Jr.**, Kennett Square, Pa.

[73] Assignee: **Southco, Inc.**, Concordville, Pa.

[**] Term: **14 Years**

[21] Appl. No.: **29/095,377**

[22] Filed: **Oct. 22, 1998**

Related U.S. Application Data

[63] Continuation-in-part of application No. 29/084,726, Mar. 9, 1998.

[51] **LOC (7) Cl.** **08-07**

[52] **U.S. Cl.** **D8/331; D8/339; D8/341**

[58] **Field of Search** **D8/300, 307, 330, D8/331, 338, 339, 341, 310; 292/DIG. 37, 53, 166, 168, 169, 163, 174, 347, 72, 139, 170, 336.3; 70/207, 208, 78, 52, 81, 495, 370**

[56] References Cited

U.S. PATENT DOCUMENTS

D. 312,769	12/1990	Bisbing .	
3,287,944	11/1966	Crumb	70/495
3,919,866	11/1975	Lipschutz	70/81
4,031,727	6/1977	De Groat et al.	70/370 X
4,978,152	12/1990	Bisbing .	
5,435,159	7/1995	Ramsauer	70/370
5,634,359	6/1997	Huebschen	292/370 X
5,683,127	11/1997	Chamberlain	292/337

OTHER PUBLICATIONS

Caravan Beschlage Katalog (Hafele, Germany) pp. 8-10 (at least as early as Dec. 5, 1997).

Lamp Catalog (Sugatsune America, Inc., Carson, California) pp. 82, 85 and Instruction Manual (1993).

Southco Latches Access Hardware Catalog 48 pp. G-6, G-8, G-9, G-16 and G-18 (Southco, Inc. Concordville, PA 1998).

Primary Examiner—Susan J. Lucas
Assistant Examiner—Jennifer Rivard
Attorney, Agent, or Firm—Paul & Paul

[57] CLAIM

The ornamental design for a latch, as shown and described.

DESCRIPTION

FIG. 1 is a perspective view of a latch embodying our design;

FIG. 2 is a right side elevational view of the latch of FIG. 1, the left side being a mirror image of that shown;

FIG. 3 is a front elevational view of the latch of FIG. 1;

FIG. 4 is a rear elevational view of the latch of FIG. 1;

FIG. 5 is a top plan view of the latch of FIG. 1;

FIG. 6 is a bottom plan view of the latch of FIG. 1;

FIG. 7 is a perspective view of the latch of FIG. 1 shown in a closed position.

FIG. 8 is a perspective view of another embodiment of a latch embodying our design;

FIG. 9 is a right side elevational view of the latch of FIG. 8, the left side being a mirror image of that shown;

FIG. 10 is a front elevational view of the latch of FIG. 8;

FIG. 11 is a rear elevational view of the latch of FIG. 8;

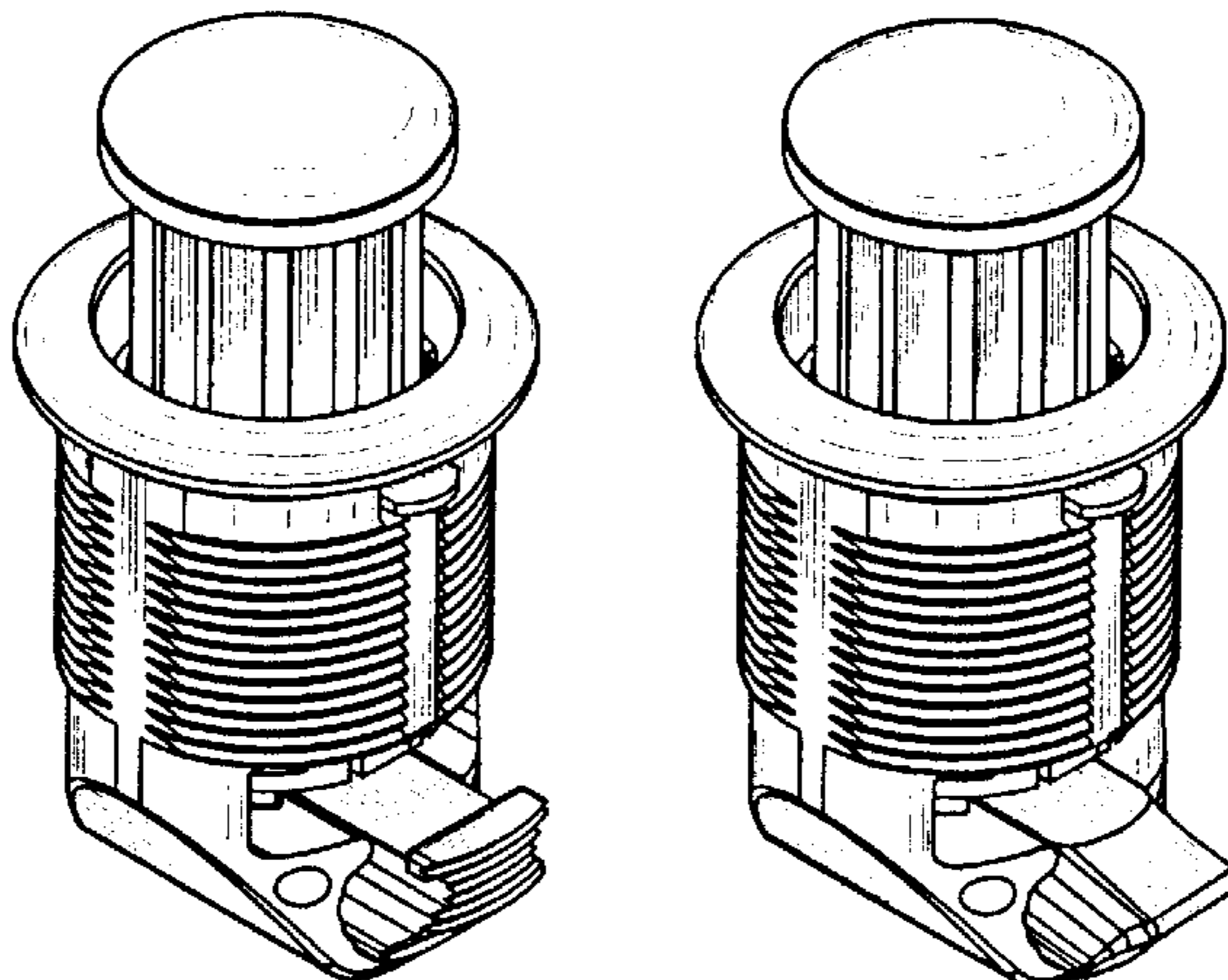
FIG. 12 is a top plan view of the latch of FIG. 8;

FIG. 13 is a bottom plan view of the latch of FIG. 8; and,

FIG. 14 is a perspective view of the latch of FIG. 8 shown in a closed position.

The broken lines showing a portion of a latch in FIGS. 1-7 are for illustrative purposes only and form no part of the claimed design.

1 Claim, 3 Drawing Sheets



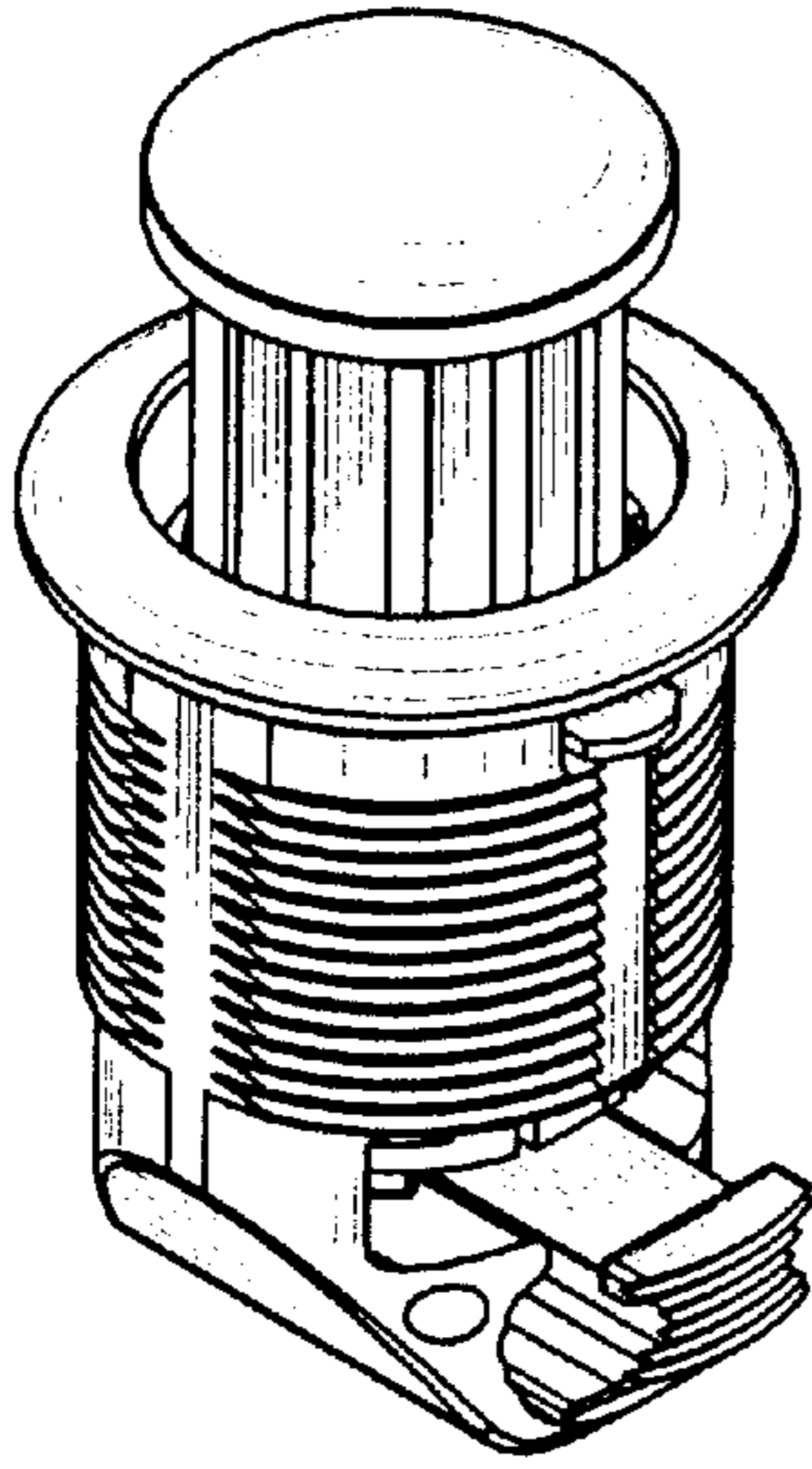


FIG. 1

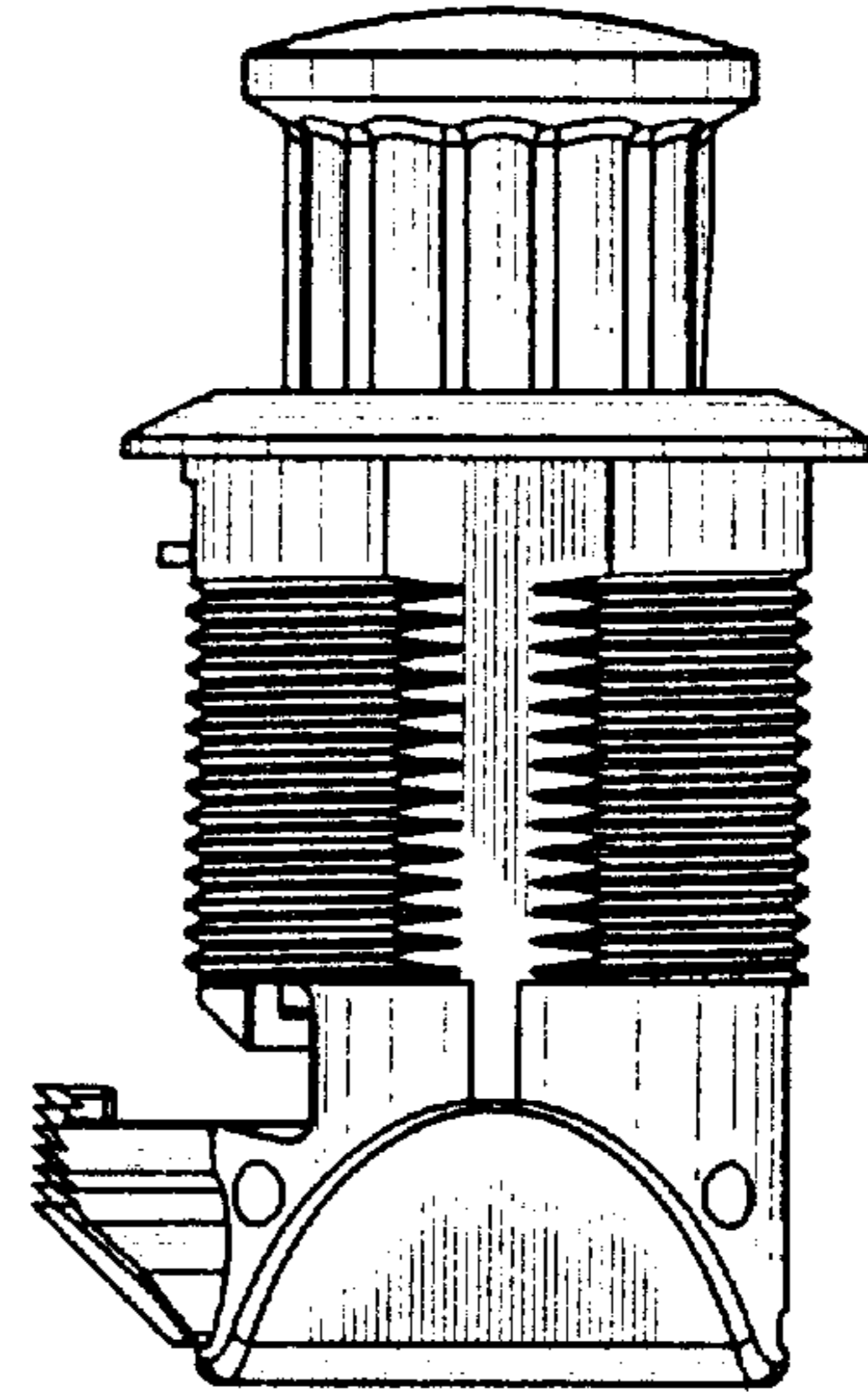


FIG. 2

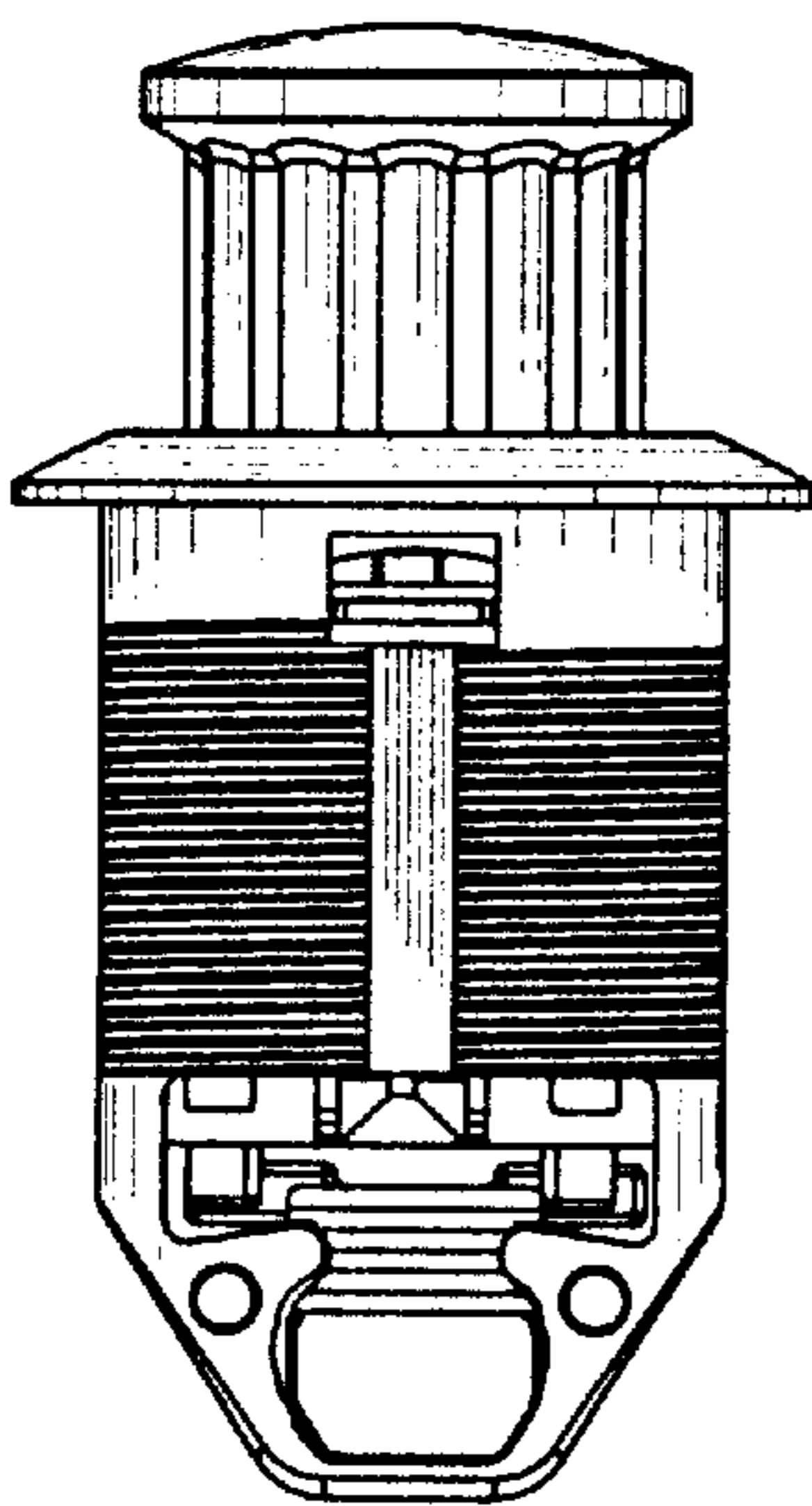


FIG. 3

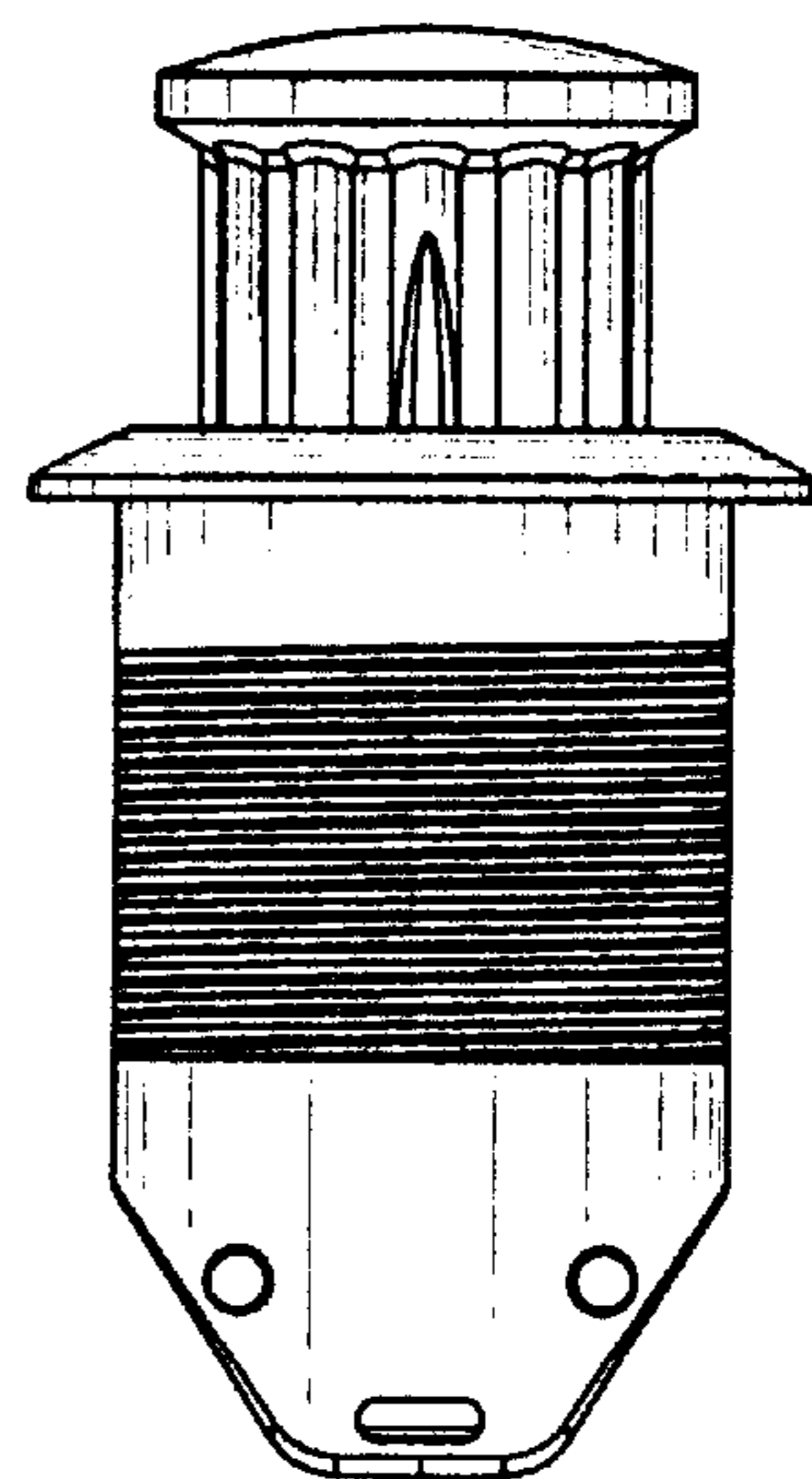


FIG. 4

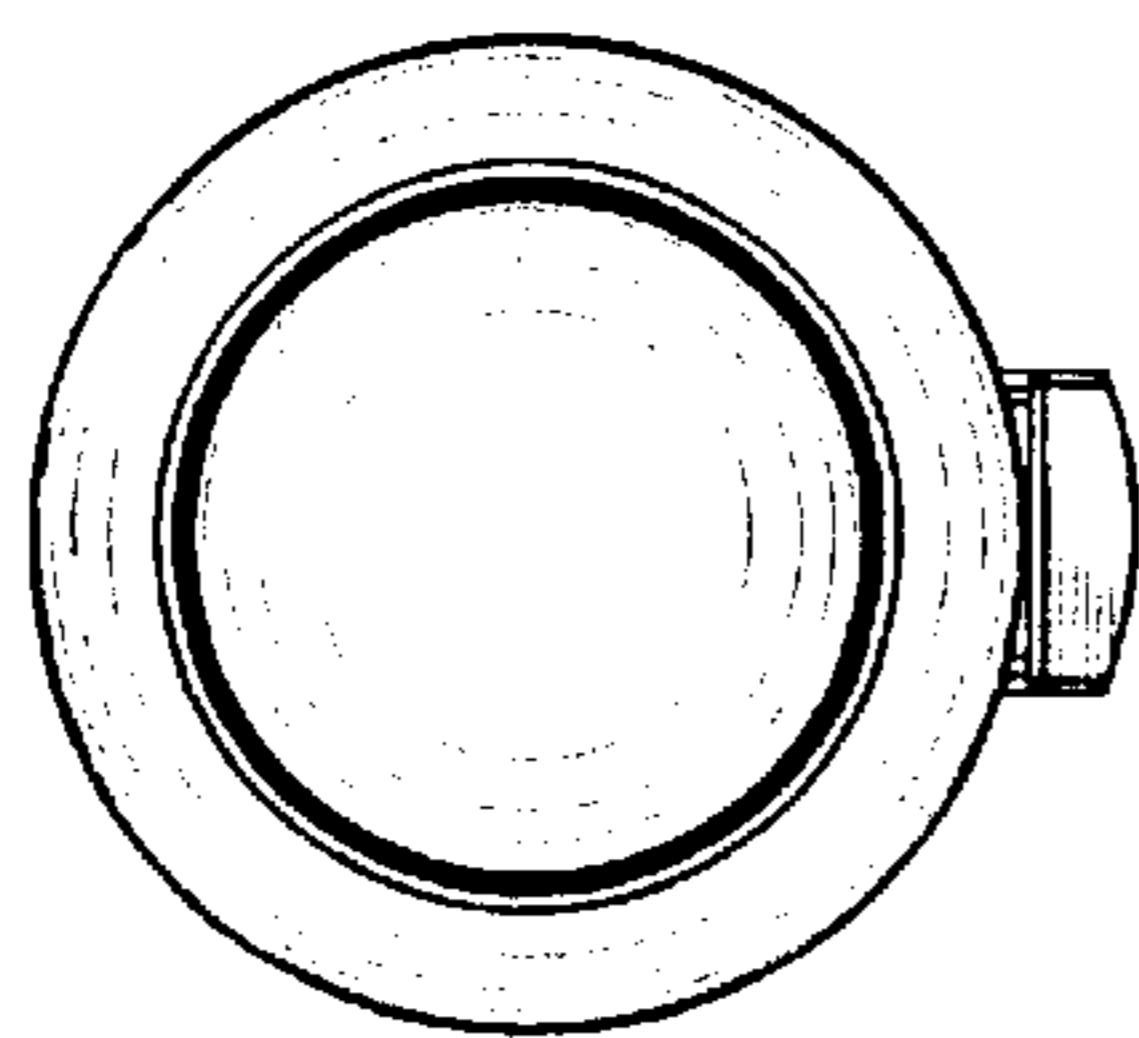


FIG. 5

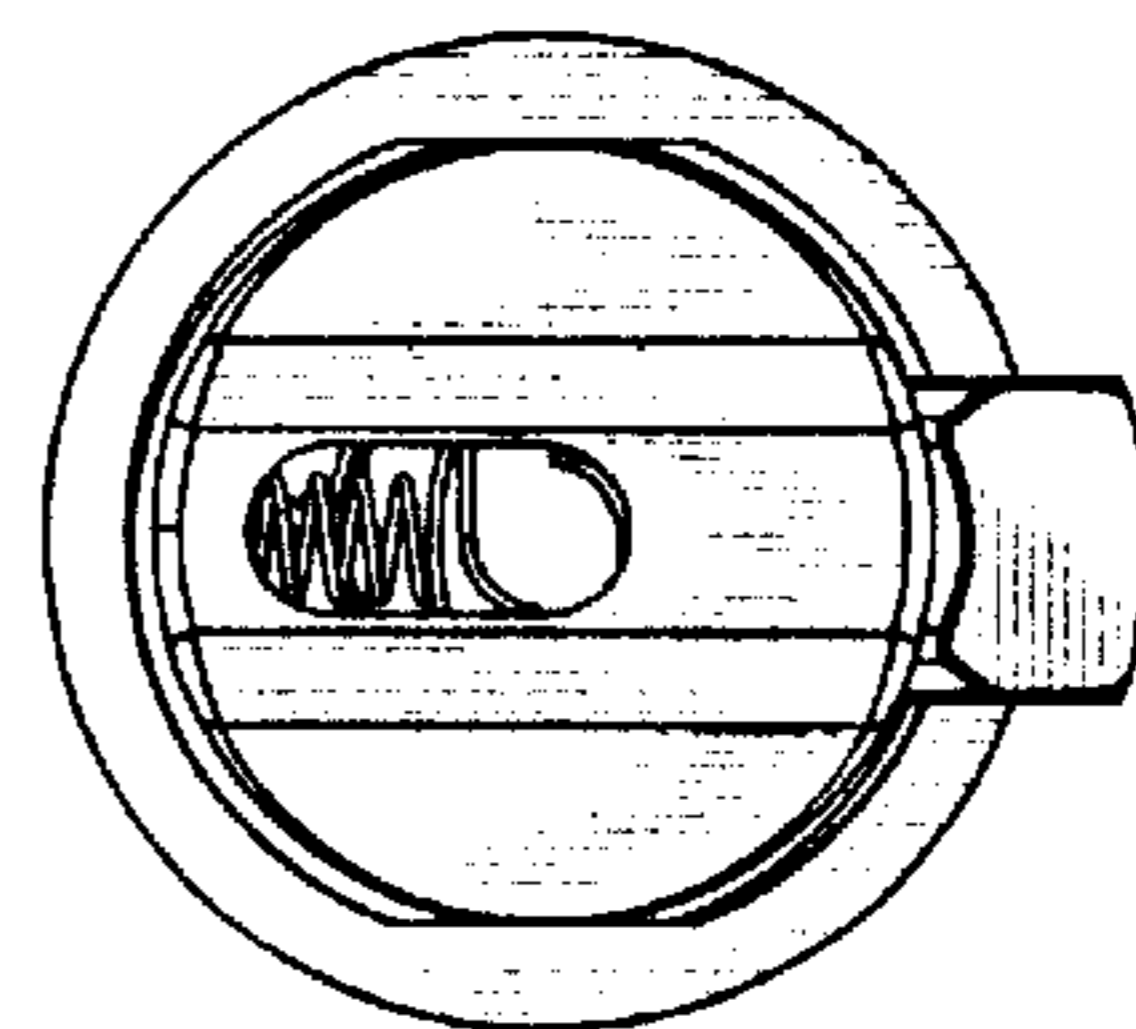


FIG. 6

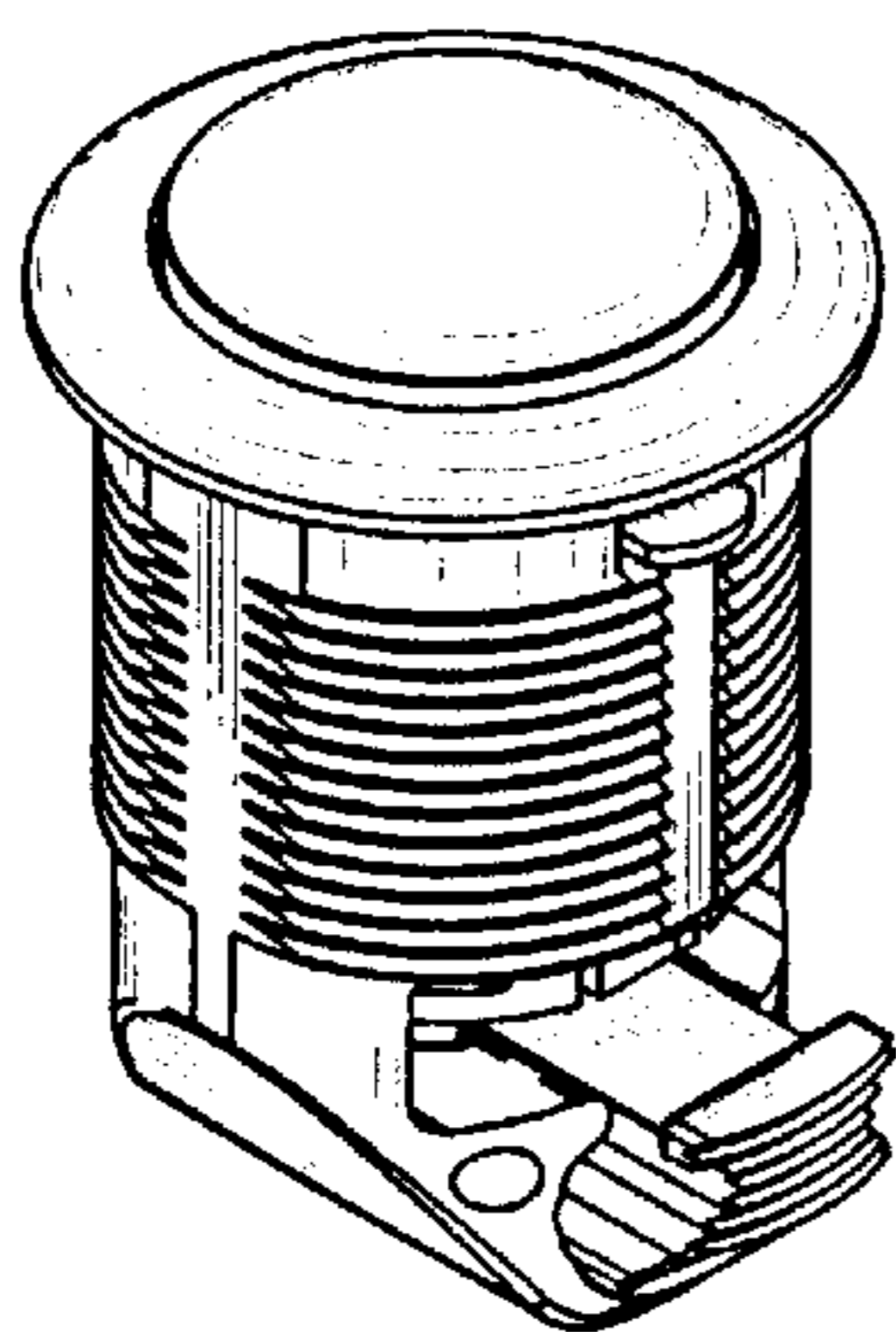


FIG. 7

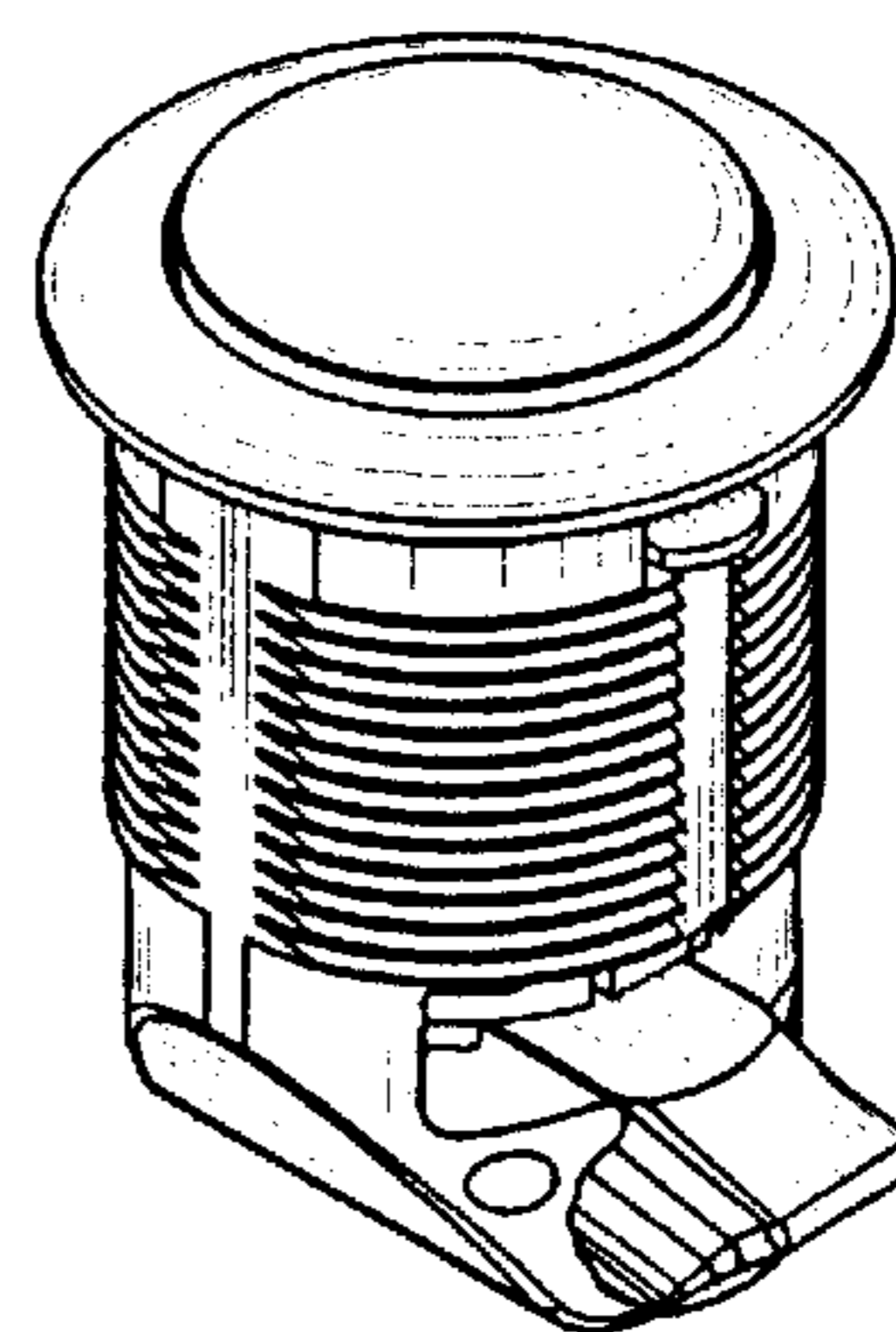


FIG. 14

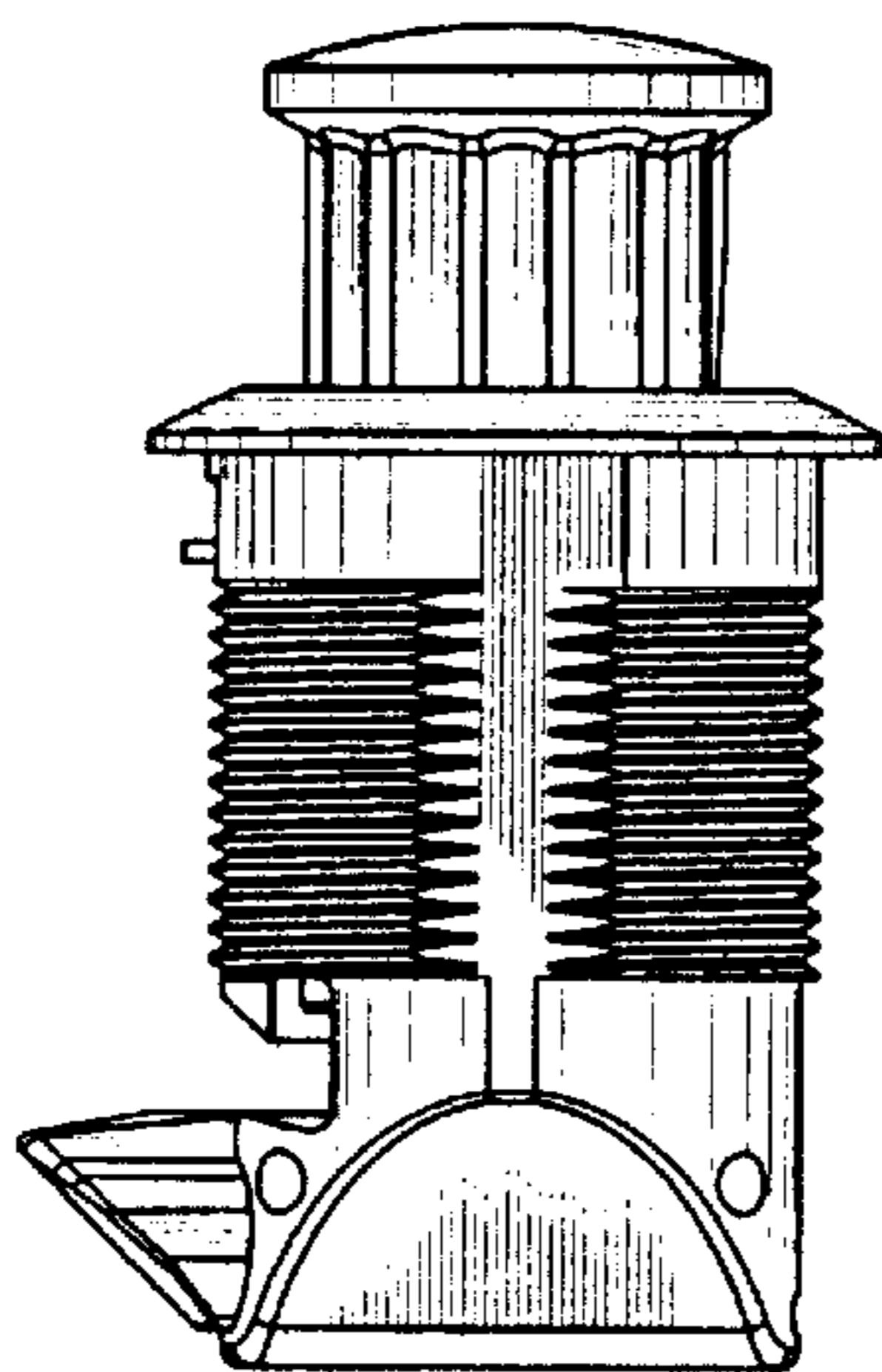


FIG. 9

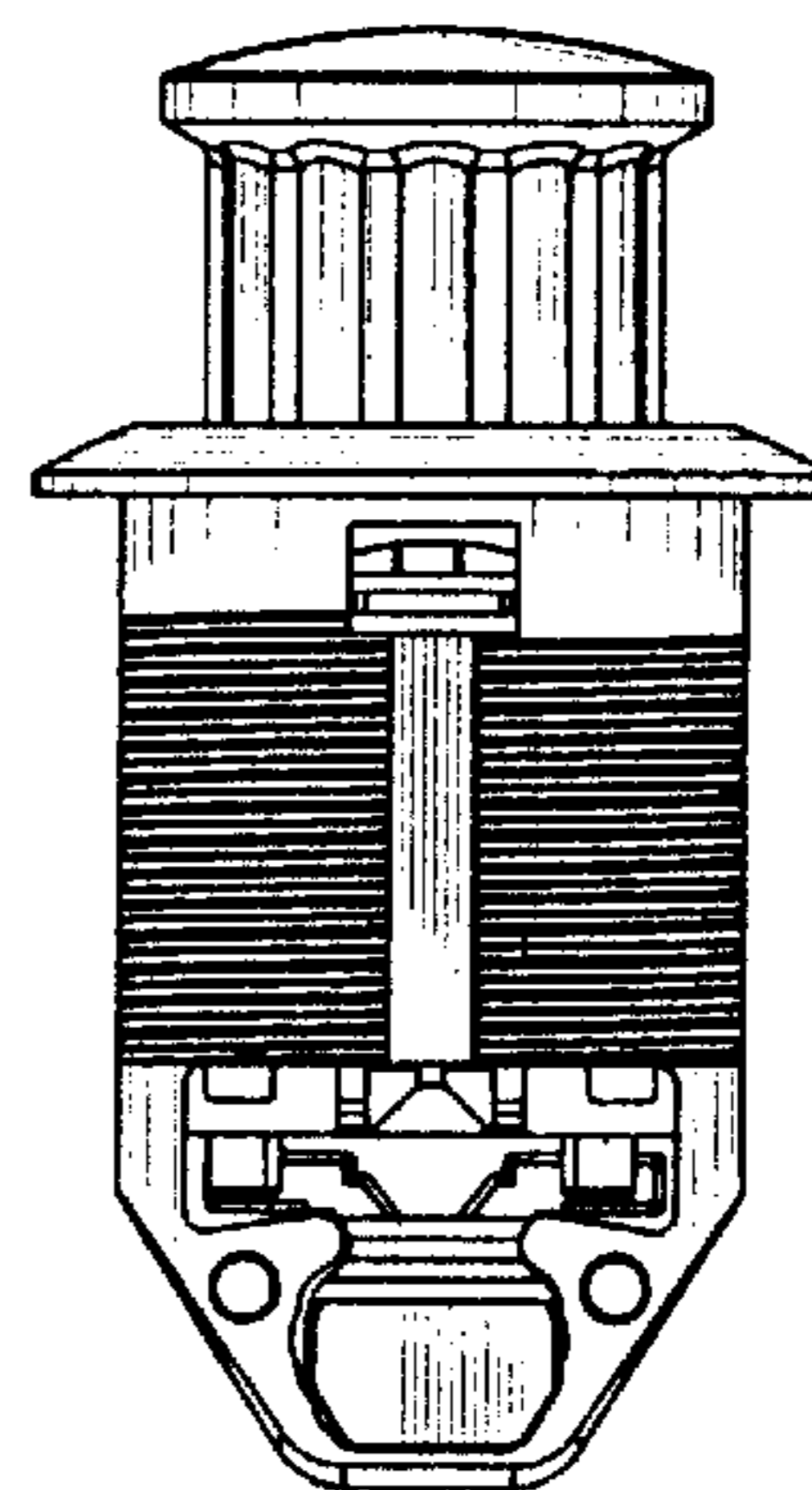


FIG. 10

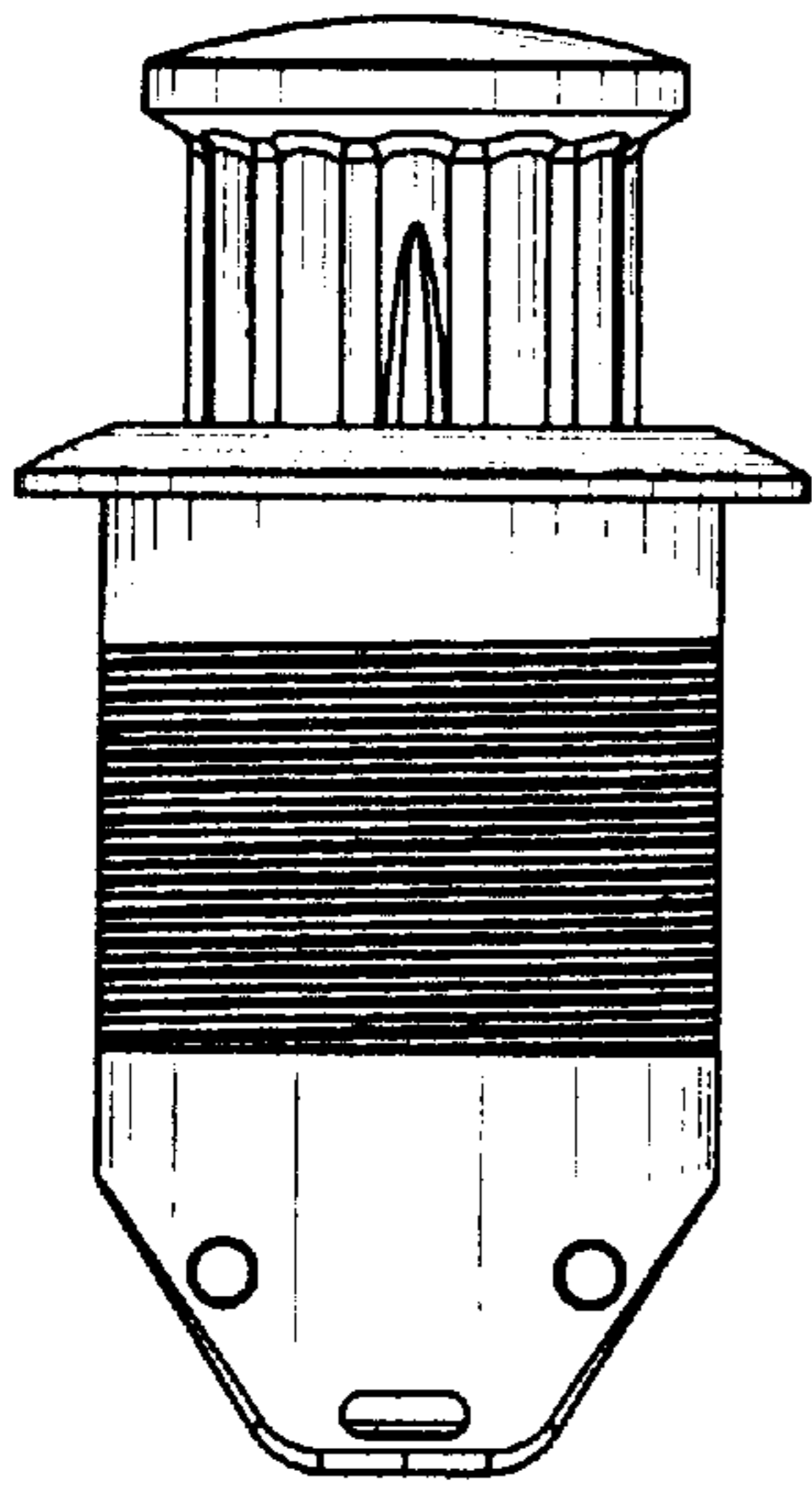


FIG. 11

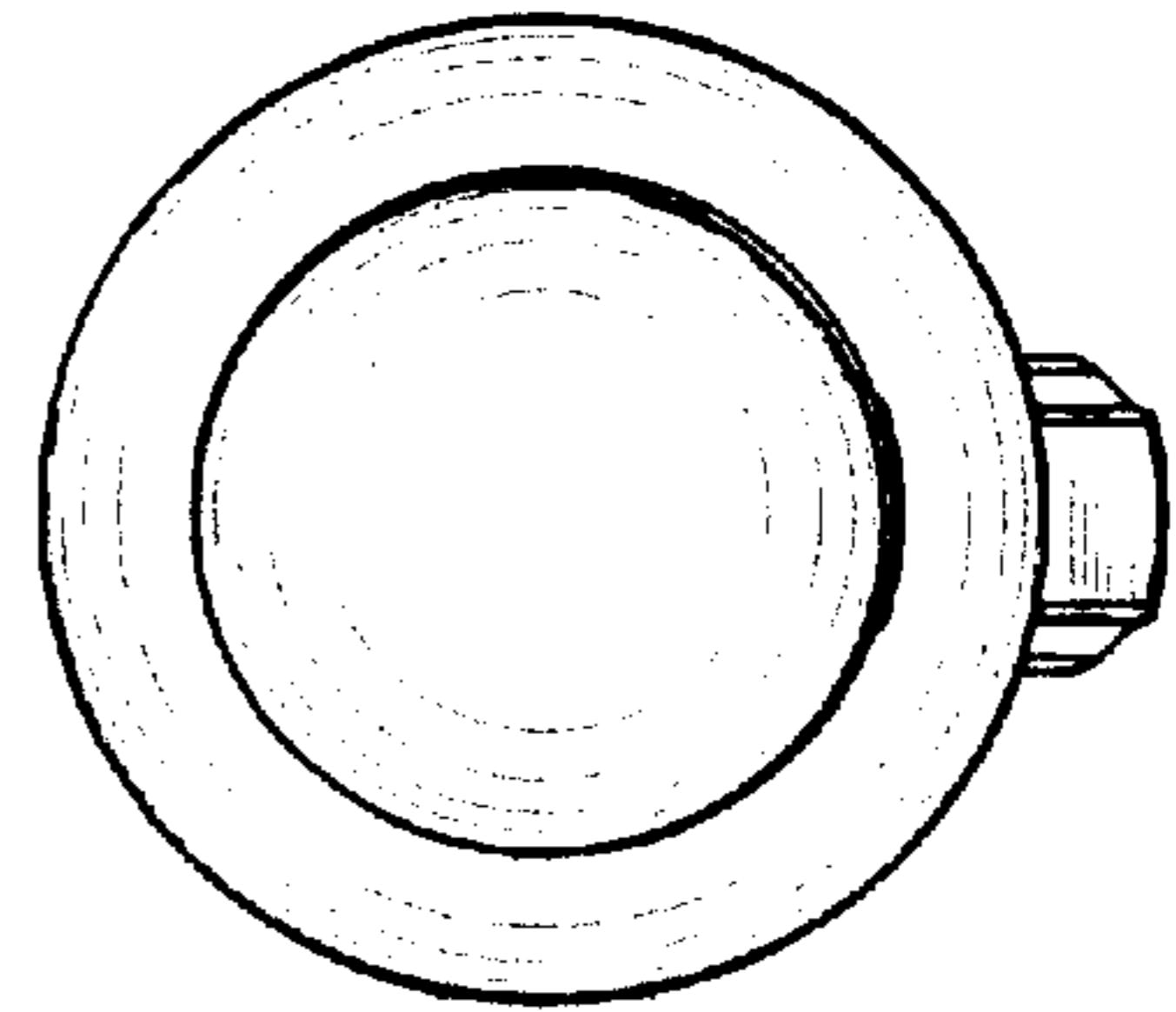


FIG. 12

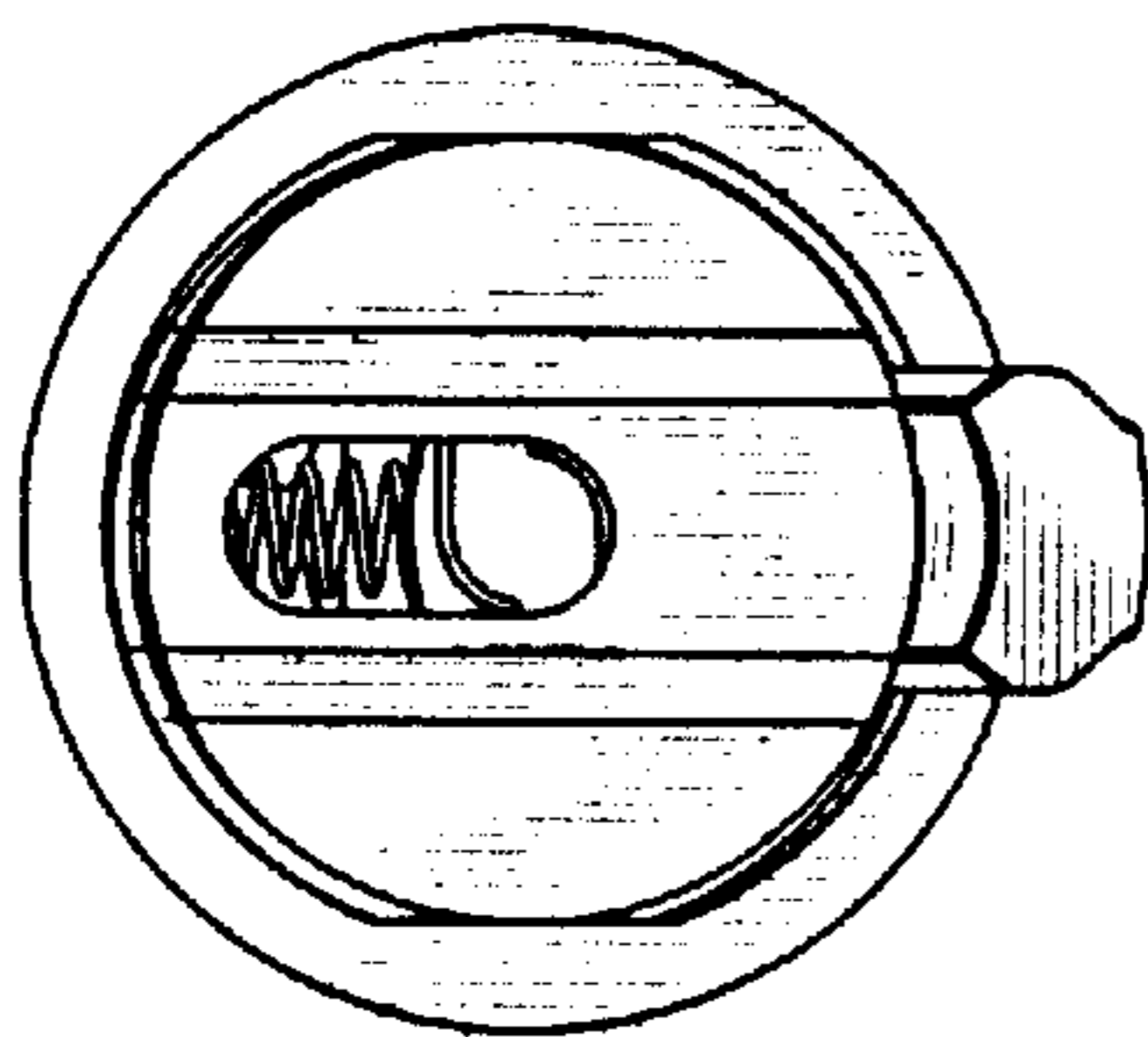


FIG. 13

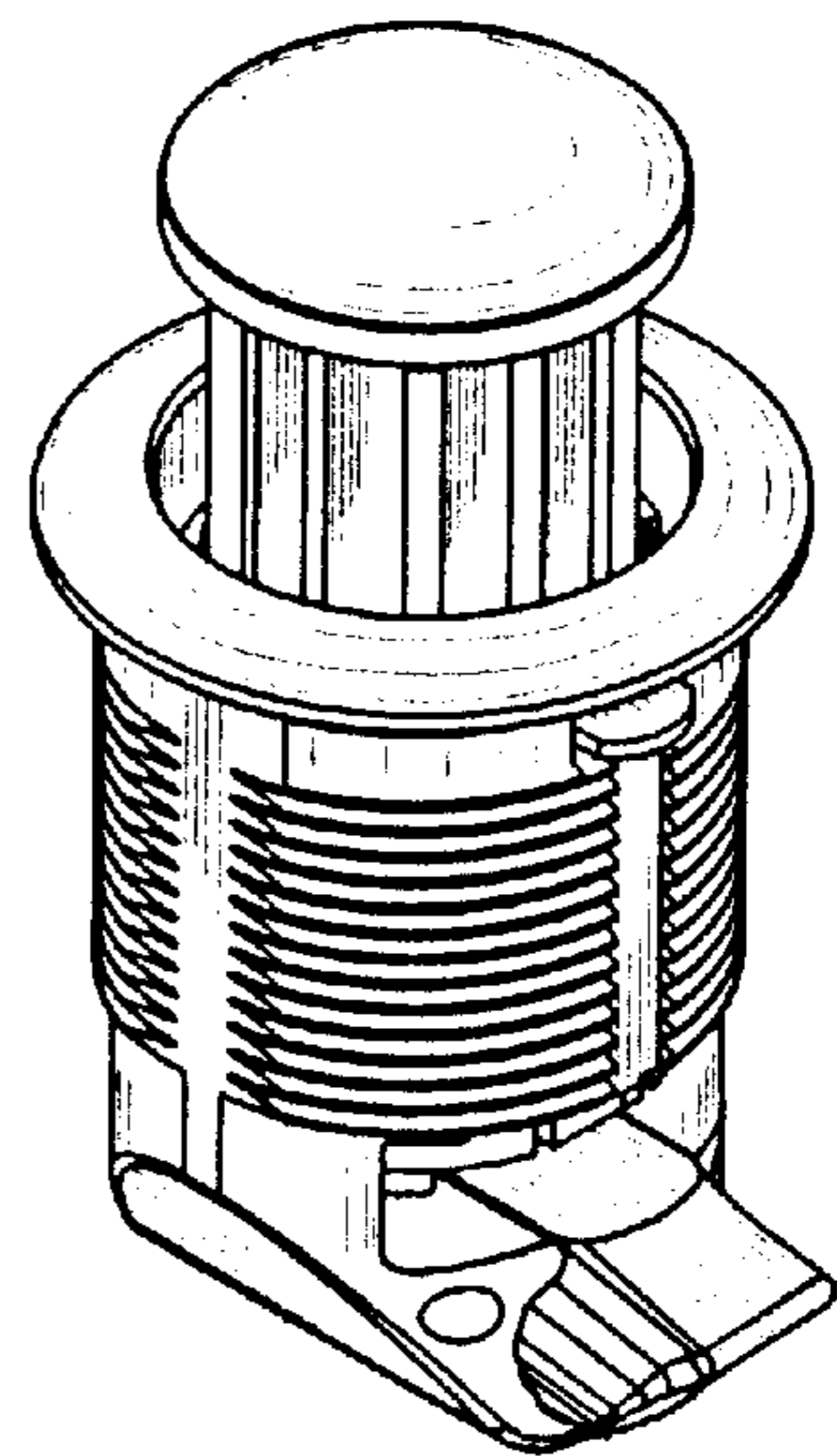


FIG. 8