



US00D433308S

United States Patent [19]
Winston

[11] **Patent Number: Des. 433,308**

[45] **Date of Patent: ** Nov. 7, 2000**

[54] **SAFETY CLOSURE DEVICE**

5,887,286 3/1999 Waldron 2/209
5,956,762 9/1999 Adams 2/48.2
5,974,591 11/1999 Leslie 2/323

[76] Inventor: **Lillian Winston**, 1029 W. 104th Pl.,
Chicago, Ill. 60643

[**] Term: **14 Years**

Primary Examiner—Susan J. Lucas
Assistant Examiner—Jennifer Rivard
Attorney, Agent, or Firm—Goldstein & Canino

[21] Appl. No.: **29/105,328**

[57] **CLAIM**

[22] Filed: **May 21, 1999**

The ornamental design for a safety closure device, as shown and described.

[51] **LOC (7) Cl.** **08-07**

[52] **U.S. Cl.** **D8/330; D8/333**

[58] **Field of Search** D8/330, 331, 333,
D8/342, 402; 24/302, 20 EE, 72.1, 580,
17 B, 30.5 P, 324, 478, 22, 20 R; D11/220;
2/16, 48.2, 209, 323; 63/3.1; 292/288, DIG. 21,
DIG. 65; 70/14, 77, 78, 86, 85

DESCRIPTION

FIG. 1 is a diagrammatic perspective view of the safety closure device, in the closed position, in full lines with a cabinet and handles shown in broken lines representing environmental association matter being for illustrative purposes only and forming no part of the claimed invention. FIG. 2 is a diagrammatic perspective view of the safety closure device in the open position. FIG. 3 is a front elevational view thereof. FIG. 4 is a rear elevational view thereof. FIG. 5 is a top plan view thereof, the bottom plan view being a mirror image of the top plan view. FIG. 6 is a left side elevational view of the safety closure device; and, FIG. 7 is a right side elevational view thereof.

[56] **References Cited**

U.S. PATENT DOCUMENTS

D. 371,292	7/1996	Baker	D8/333
618,500	1/1899	Foster	24/30.5 P
1,711,082	4/1929	Brite	D8/333 X
2,151,587	3/1939	Cassileth	292/288
2,899,229	8/1959	Jenks	292/288
3,147,030	9/1964	Berk	292/288
4,715,629	12/1987	Robinson	292/256
5,230,541	7/1993	Nowak	292/283
5,501,493	3/1996	Arthur	292/288 X

1 Claim, 3 Drawing Sheets

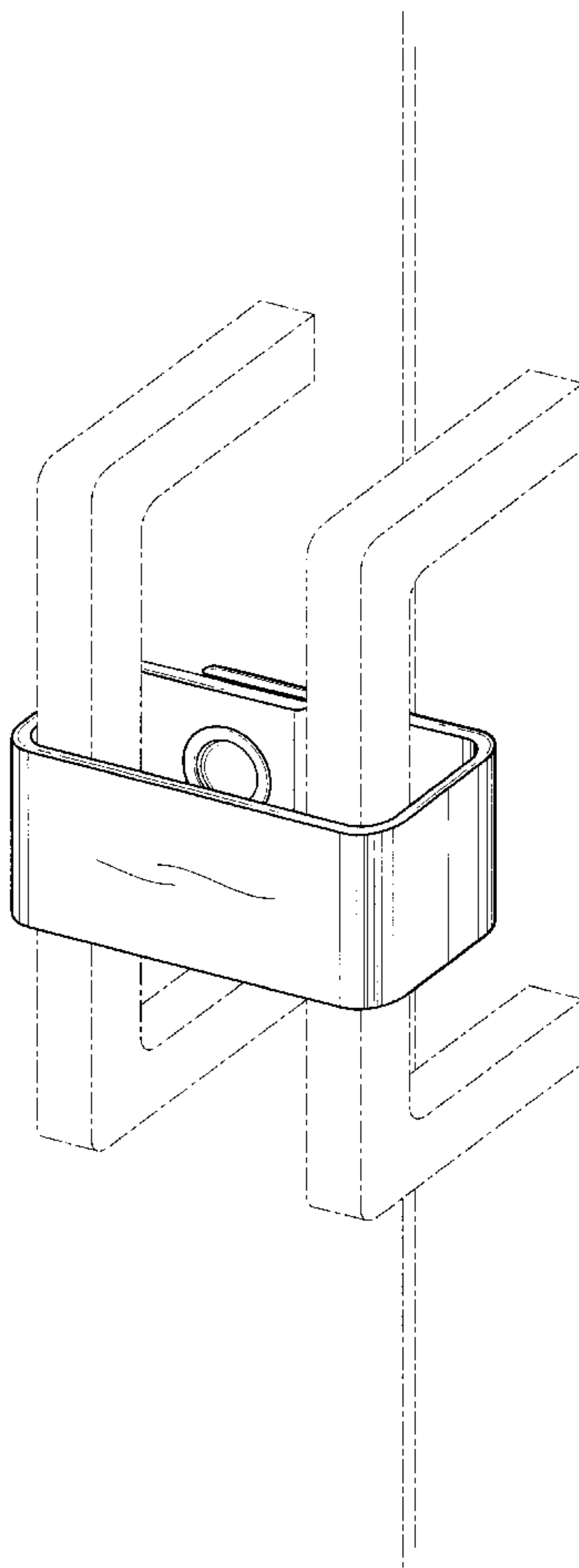
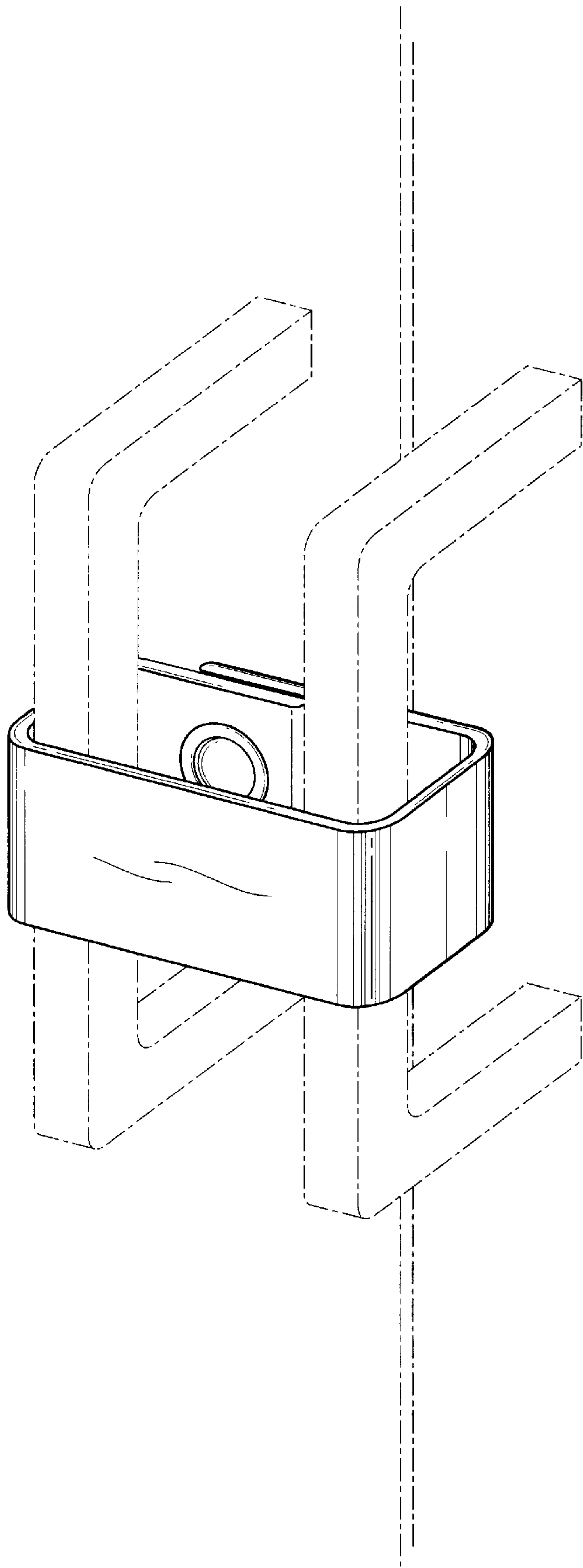


FIG. 1



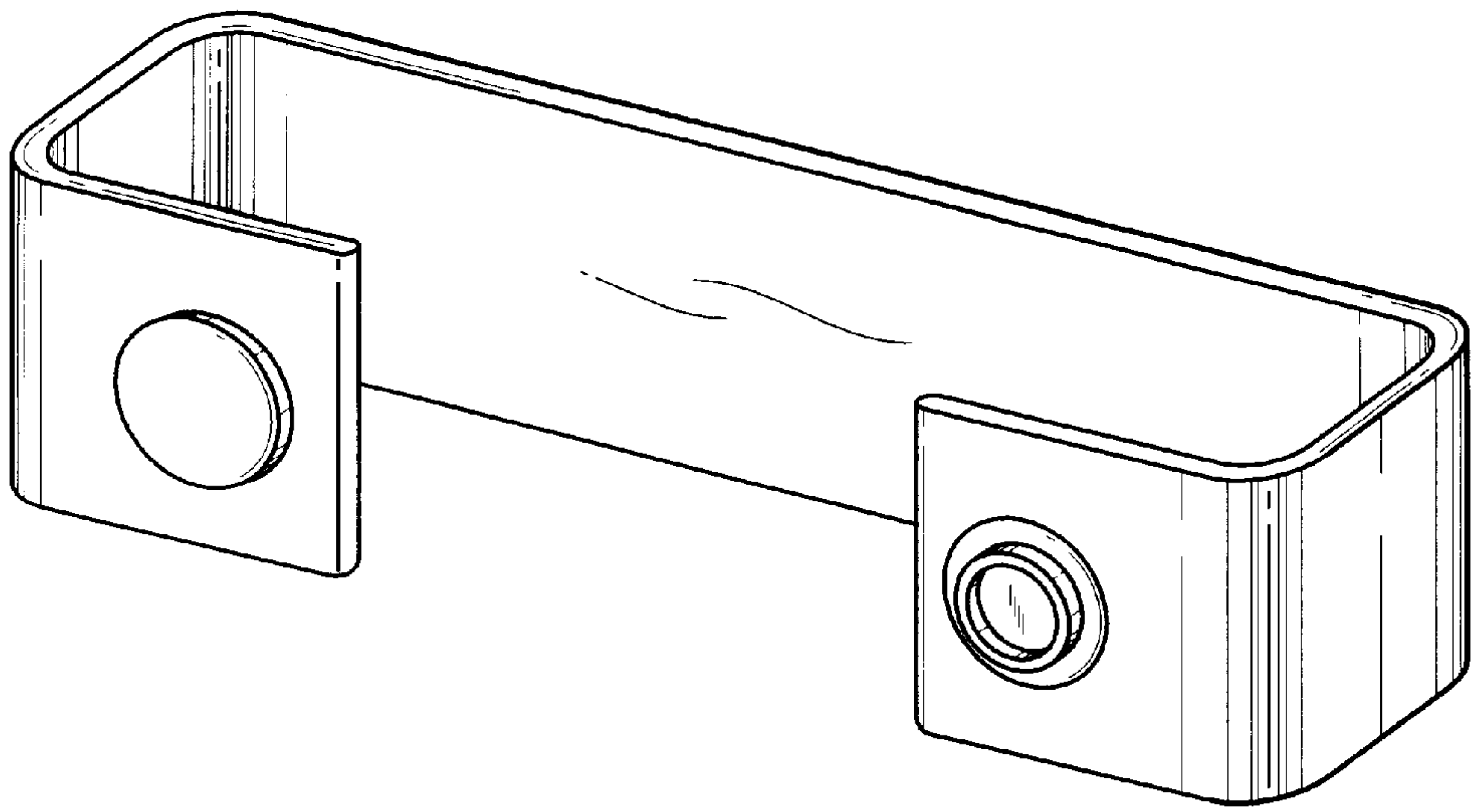


FIG. 2

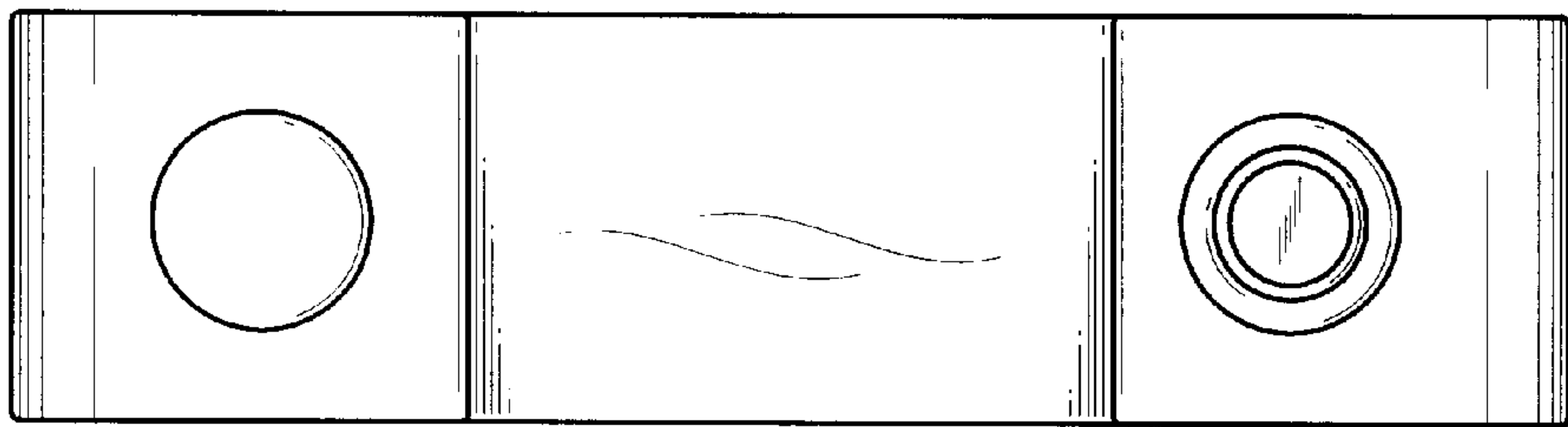


FIG. 3

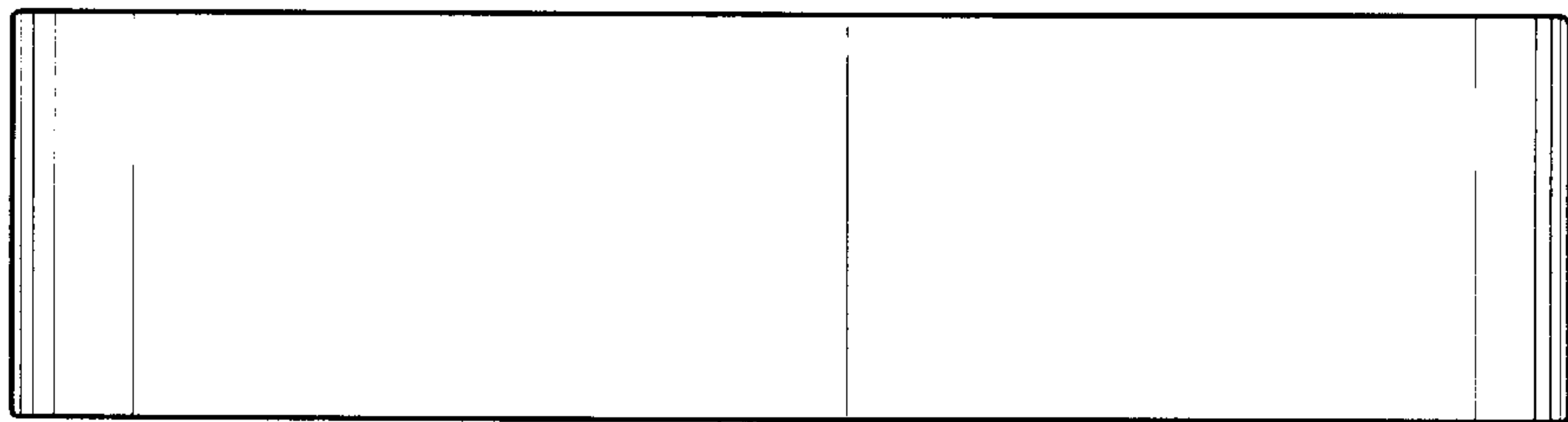


FIG. 4

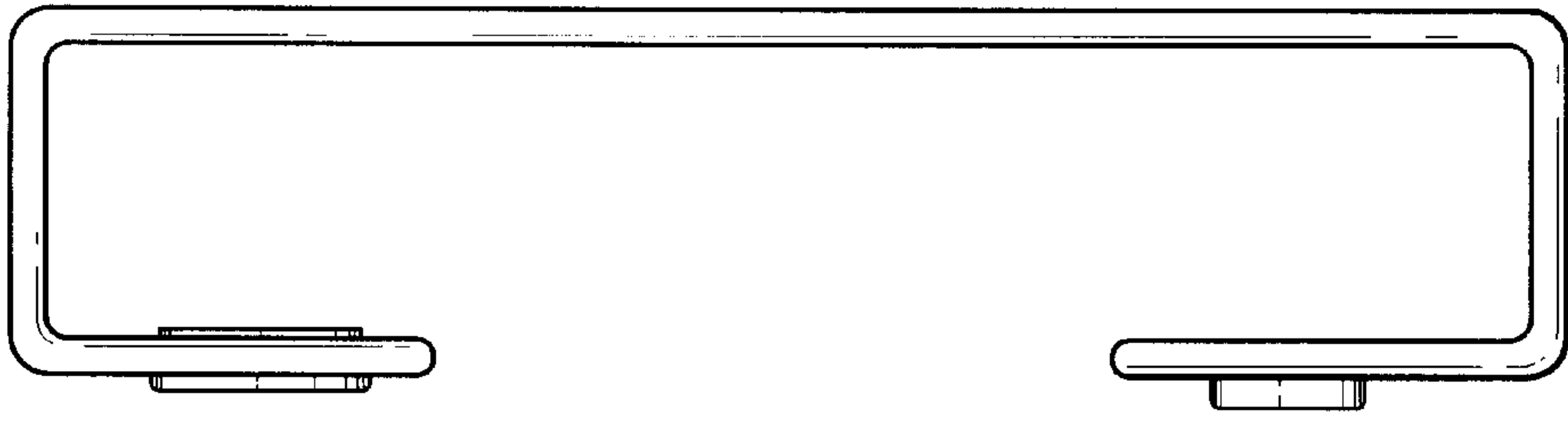


FIG. 5

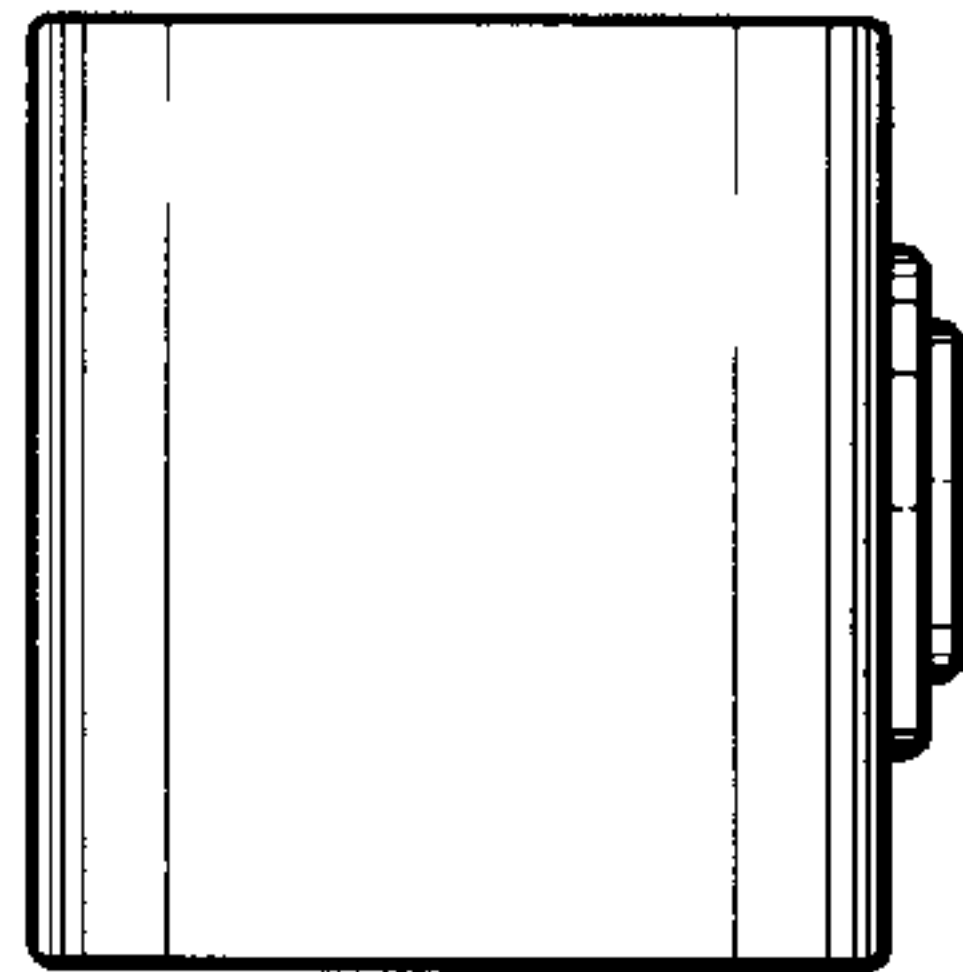


FIG. 6

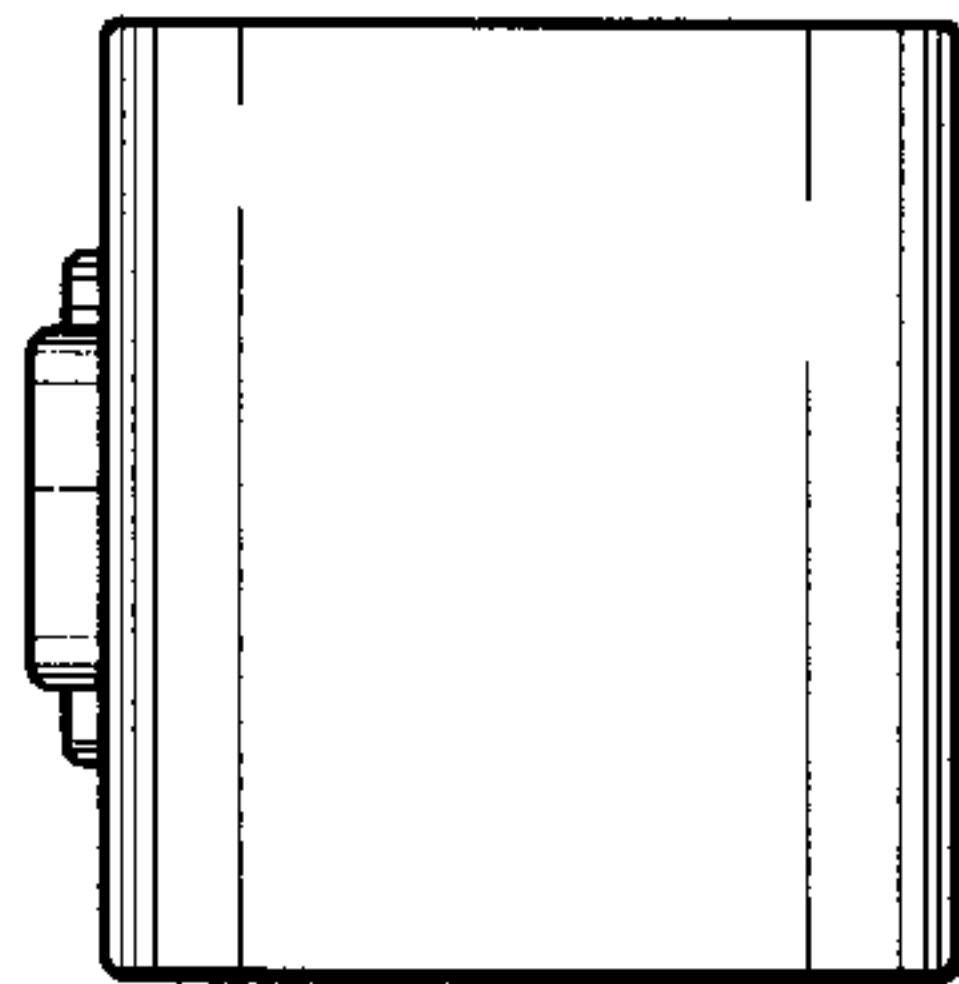


FIG. 7