



US00D433302S

# United States Patent [19] Hembroff

[11] **Patent Number: Des. 433,302**

[45] **Date of Patent: \*\* Nov. 7, 2000**

[54] **REPLACEABLE VICE JAW LINING**

5,163,665 11/1992 Klearman ..... 269/280  
5,316,277 5/1994 Banks ..... 269/25

[76] Inventor: **Scott A. Hembroff**, 9532 Interlake Ave.  
N., Seattle, Wash. 98103

*Primary Examiner*—Philip S. Hyder  
*Attorney, Agent, or Firm*—Dean A. Craine

[\*\*] Term: **14 Years**

[57] **CLAIM**

[21] Appl. No.: **29/116,677**

The ornamental design for a replaceable vice jaw lining, as shown and described.

[22] Filed: **Jan. 7, 2000**

### DESCRIPTION

[51] **LOC (7) Cl.** ..... **08-05**

[52] **U.S. Cl.** ..... **D8/74**

[58] **Field of Search** ..... D8/71, 72, 73,  
D8/74; D15/138, 140; 269/259, 271, 279,  
280, 247, 32, 25

FIG. 1 is a perspective view of the replaceable vice jaw lining.

FIG. 2 is a front elevational view of the invention.

FIG. 3 is a rear elevational view of the invention.

FIG. 4 is a top plan view of the invention.

FIG. 5 is a bottom elevational view of the invention.

FIG. 6 is a left side elevational view of the invention, facing top down.

FIG. 7 is a left side elevational view of the invention, facing bottom down.

FIG. 8 is a perspective view of a second embodiment of the replaceable vice jaw lining.

FIG. 9 is a front elevational view of the invention shown in FIG. 8; and,

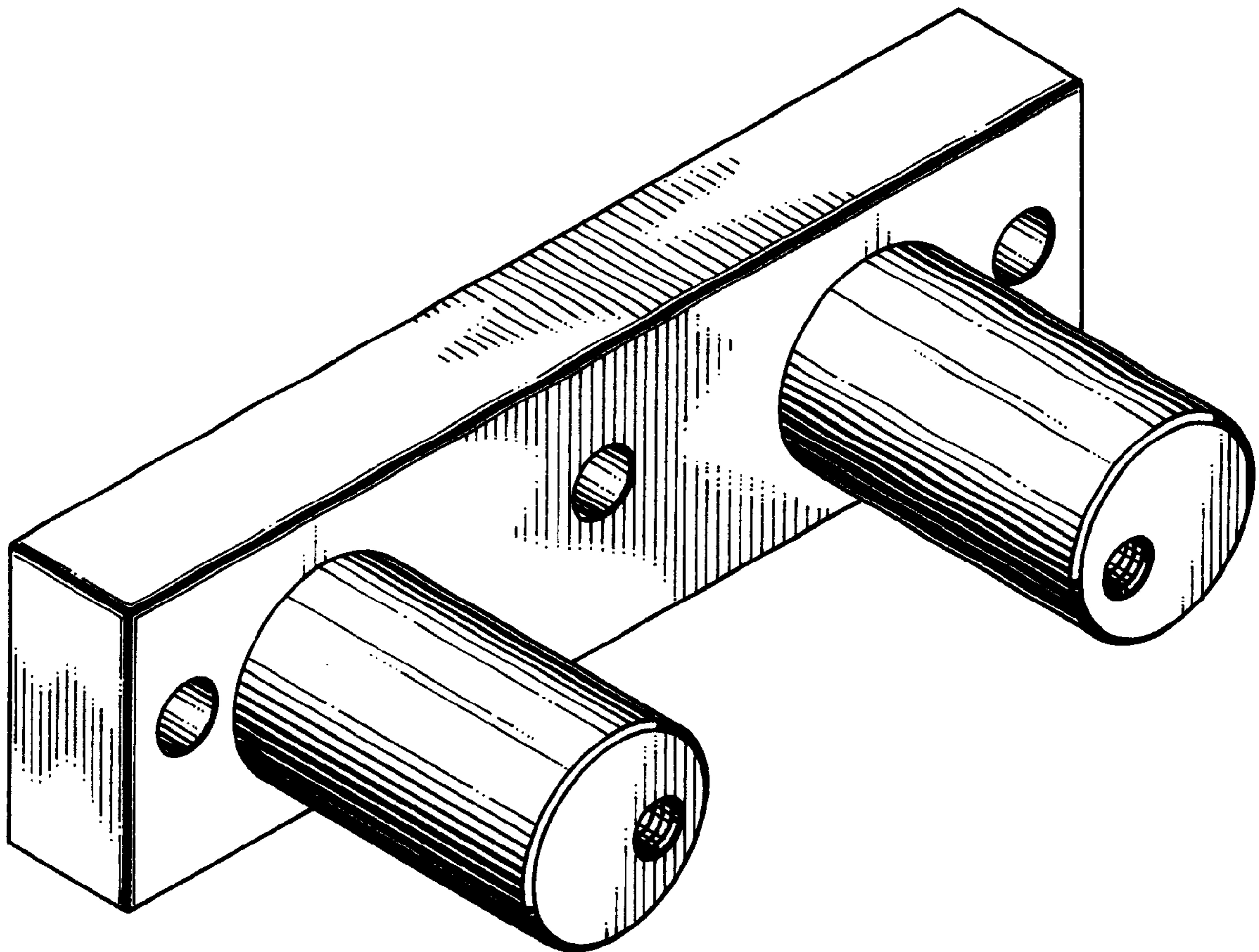
FIG. 10 is a rear elevational view of the invention shown in FIGS. 8 and 9.

### [56] **References Cited**

#### U.S. PATENT DOCUMENTS

D. 263,787	4/1982	Testa et al. ....	D8/74
D. 309,701	8/1990	Newmeyer et al. ....	D8/74
D. 316,954	5/1991	Glaser et al. ....	D8/74
2,646,708	7/1953	Nickas, Jr. .	
2,938,414	5/1960	Blomme .	
3,063,707	11/1962	Kelley .....	D8/74
4,133,519	1/1979	Shin et al. ....	269/247
4,383,682	5/1983	Feinberg .....	269/76
4,448,405	5/1984	Cipolla .....	269/32
4,830,350	5/1989	Kuei .....	269/279

**1 Claim, 3 Drawing Sheets**



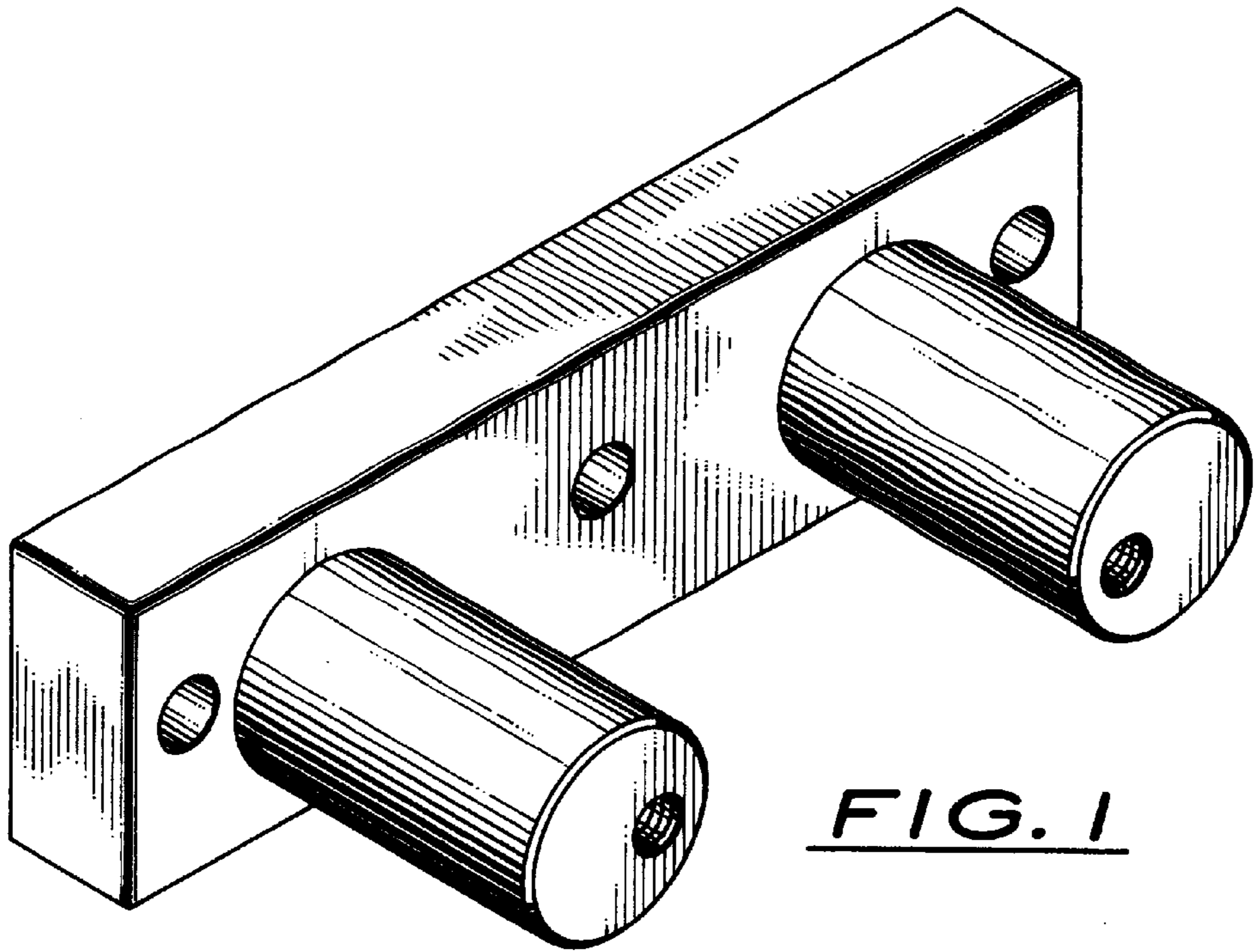


FIG. 1

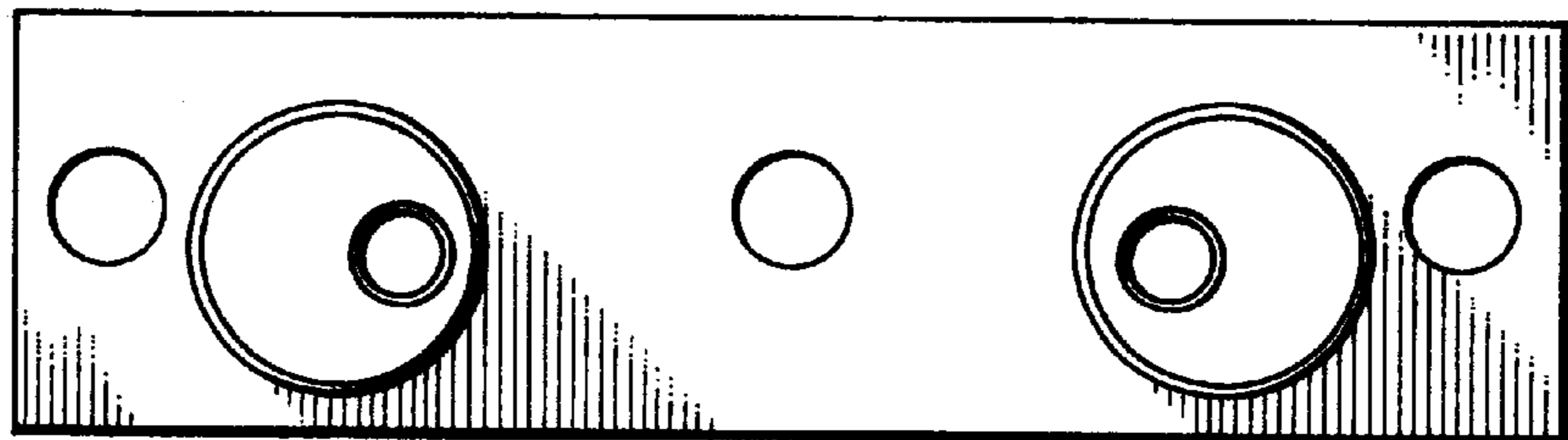


FIG. 2

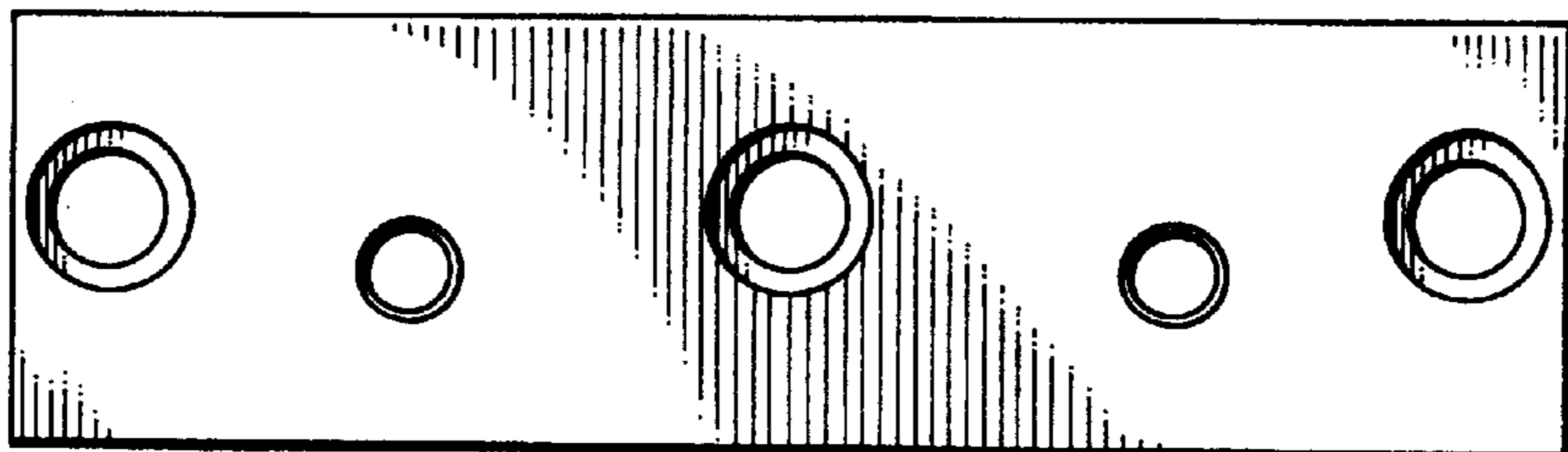


FIG. 3

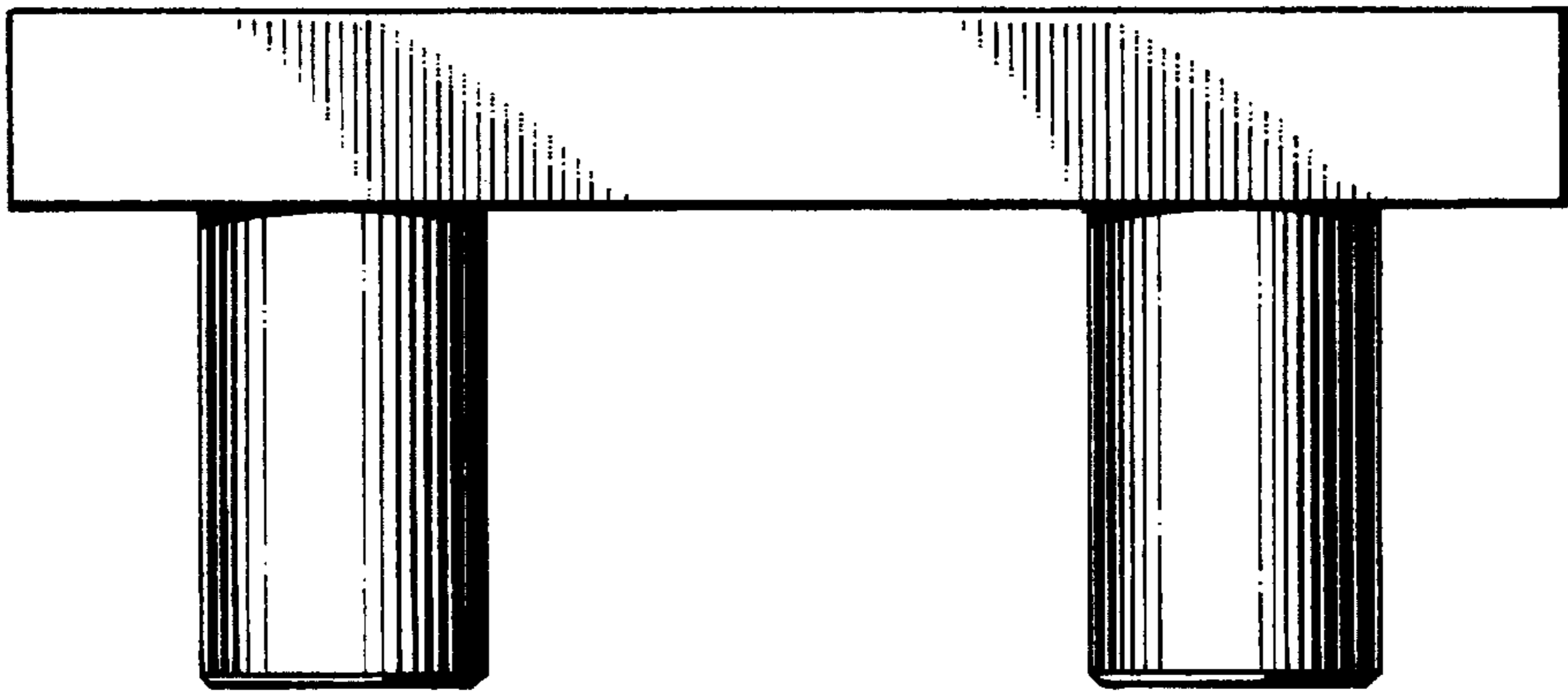


FIG. 4

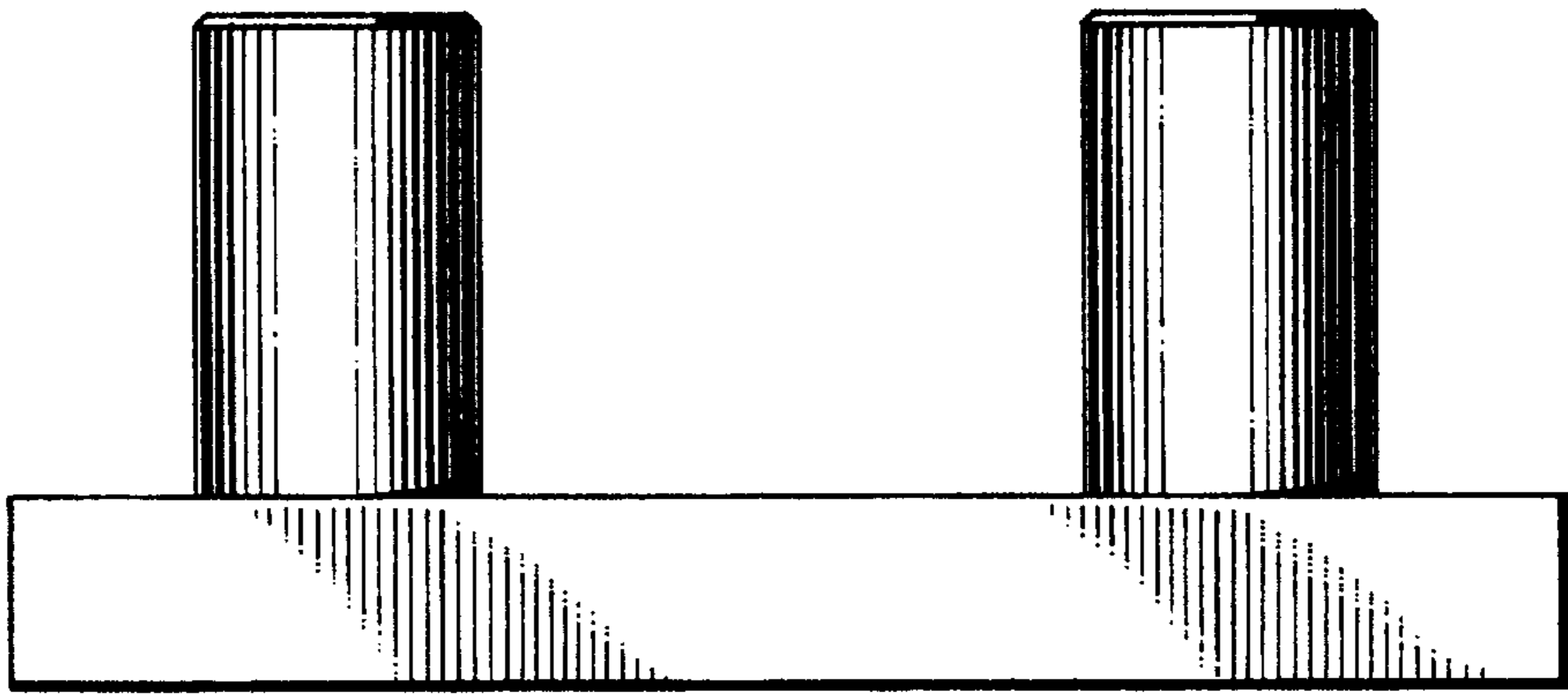


FIG. 5

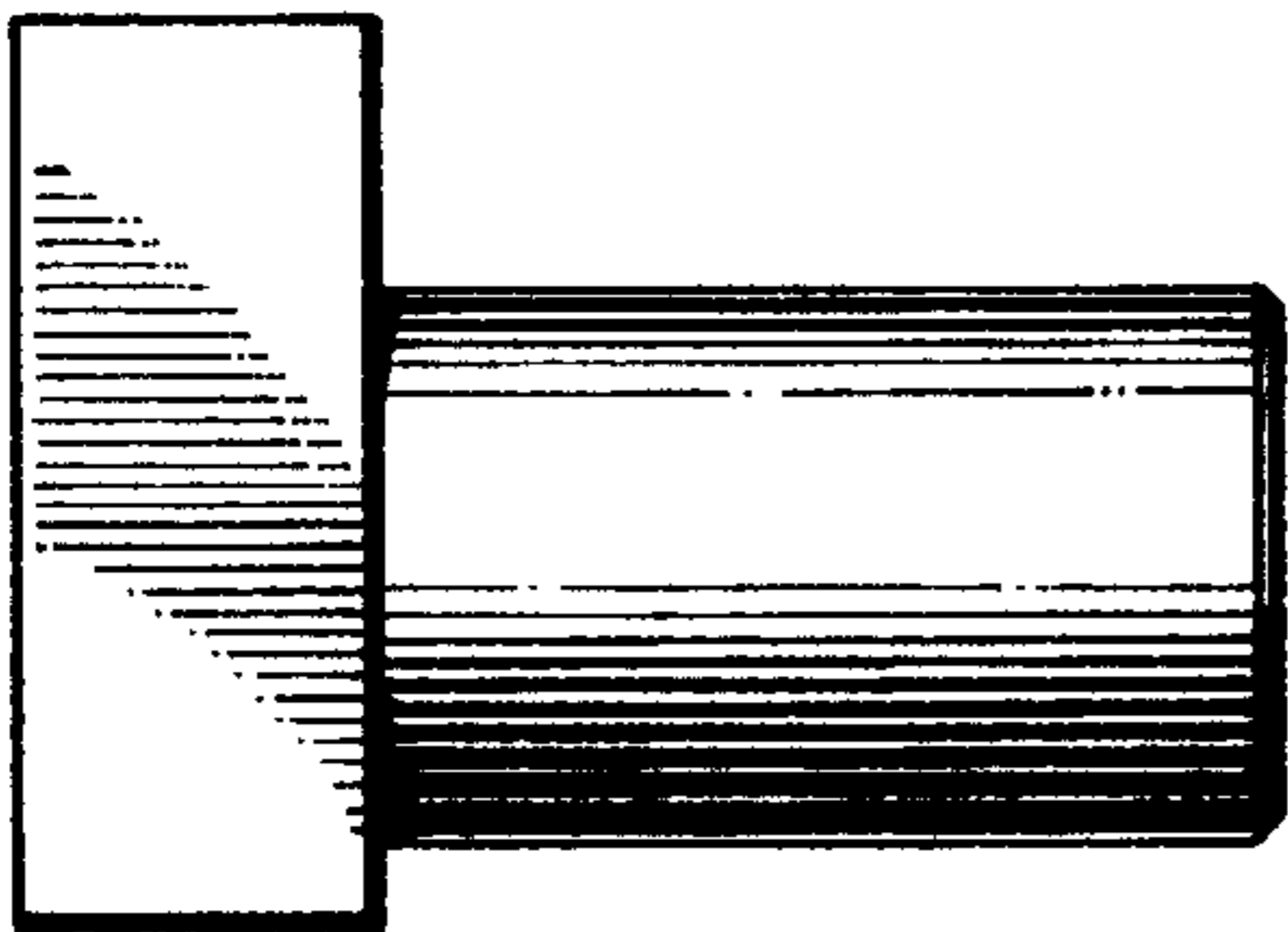


FIG. 6

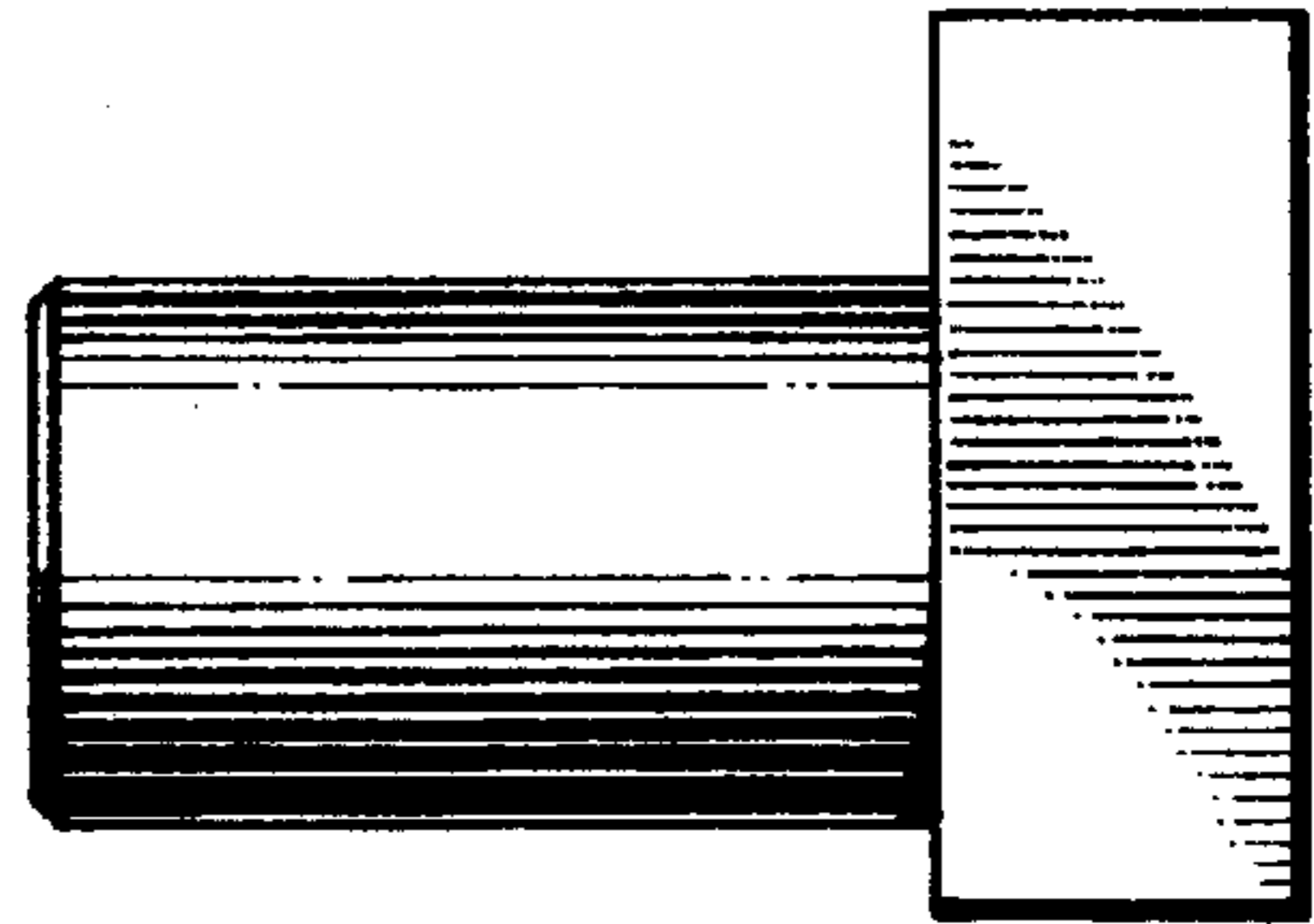


FIG. 7

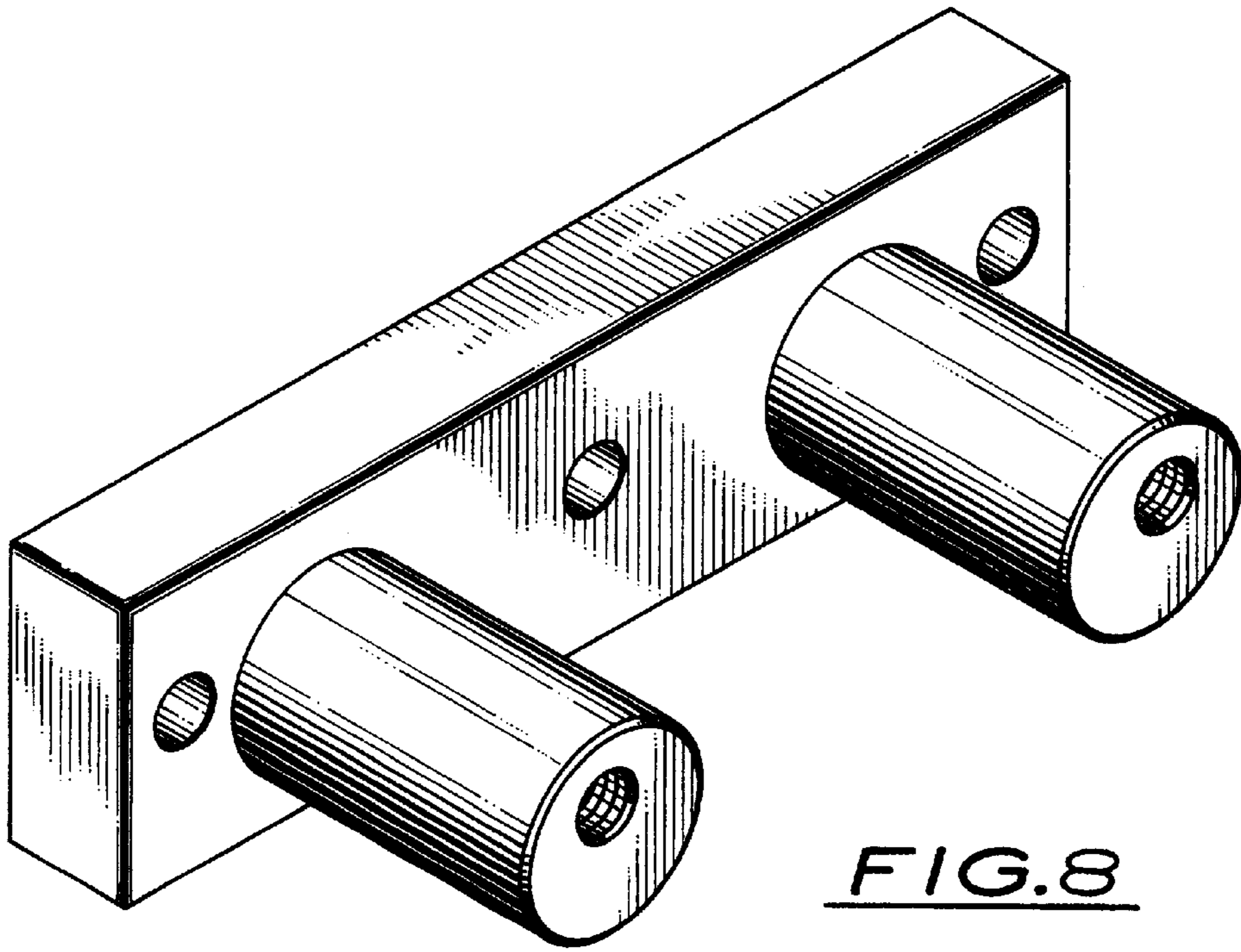


FIG. 8

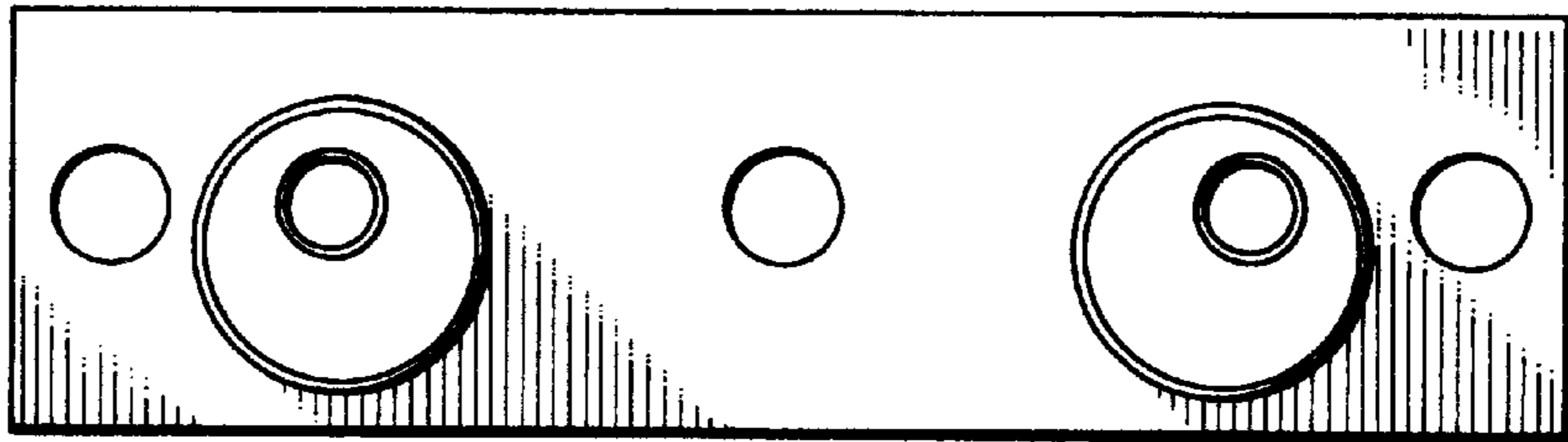


FIG. 9

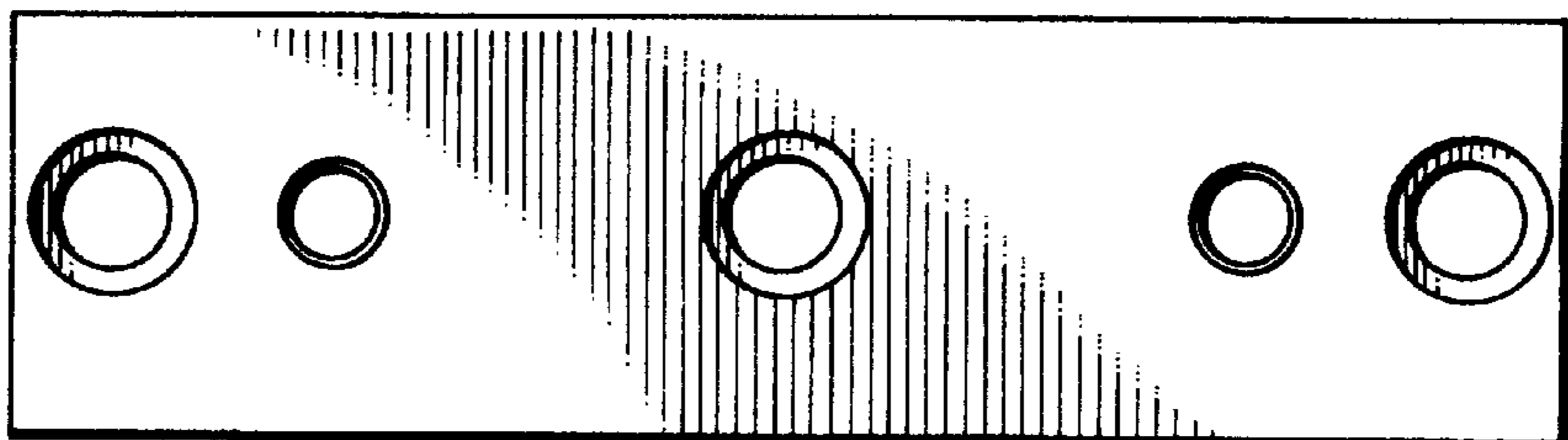


FIG. 10