



US00D433300S

United States Patent [19] Buck

[11] Patent Number: **Des. 433,300**

[45] Date of Patent: **** Nov. 7, 2000**

[54] **CIRCULAR SAW**

4,516,324 5/1985 Heininger, Jr. et al. 30/377
5,737,843 4/1998 Fringer et al. 30/391
5,794,351 8/1998 Campbell et al. 30/390

[75] Inventor: **John E. Buck**, Cockeysville, Md.

[73] Assignee: **Black & Decker Inc.**, Newark, Del.

[**] Term: **14 Years**

Primary Examiner—Martie K. Holtje
Attorney, Agent, or Firm—Charles E. Yocum; John D. Del
Ponti; Bruce S. Shapiro

[21] Appl. No.: **29/109,360**

[57] **CLAIM**

[22] Filed: **Aug. 13, 1999**

The ornamental design for a circular saw, as shown and described.

[51] **LOC (7) Cl.** **08-03**

[52] **U.S. Cl.** **D8/66; D8/67**

[58] **Field of Search** D8/61, 64, 65,
D8/66, 67, 69, 70; 30/388, 376, 389, 390,
391; 83/574, 663, 666, 863, 701, 523, 544,
545; 310/40 R, 500

DESCRIPTION

FIG. 1 is a front perspective view of a circular saw showing my new design.

FIG. 2 is a front elevational view thereof.

FIG. 3 is a rear elevational view thereof.

FIG. 4 is a right side elevational view thereof.

FIG. 5 is a left side elevational view thereof.

FIG. 6 is a top plan view thereof; and,

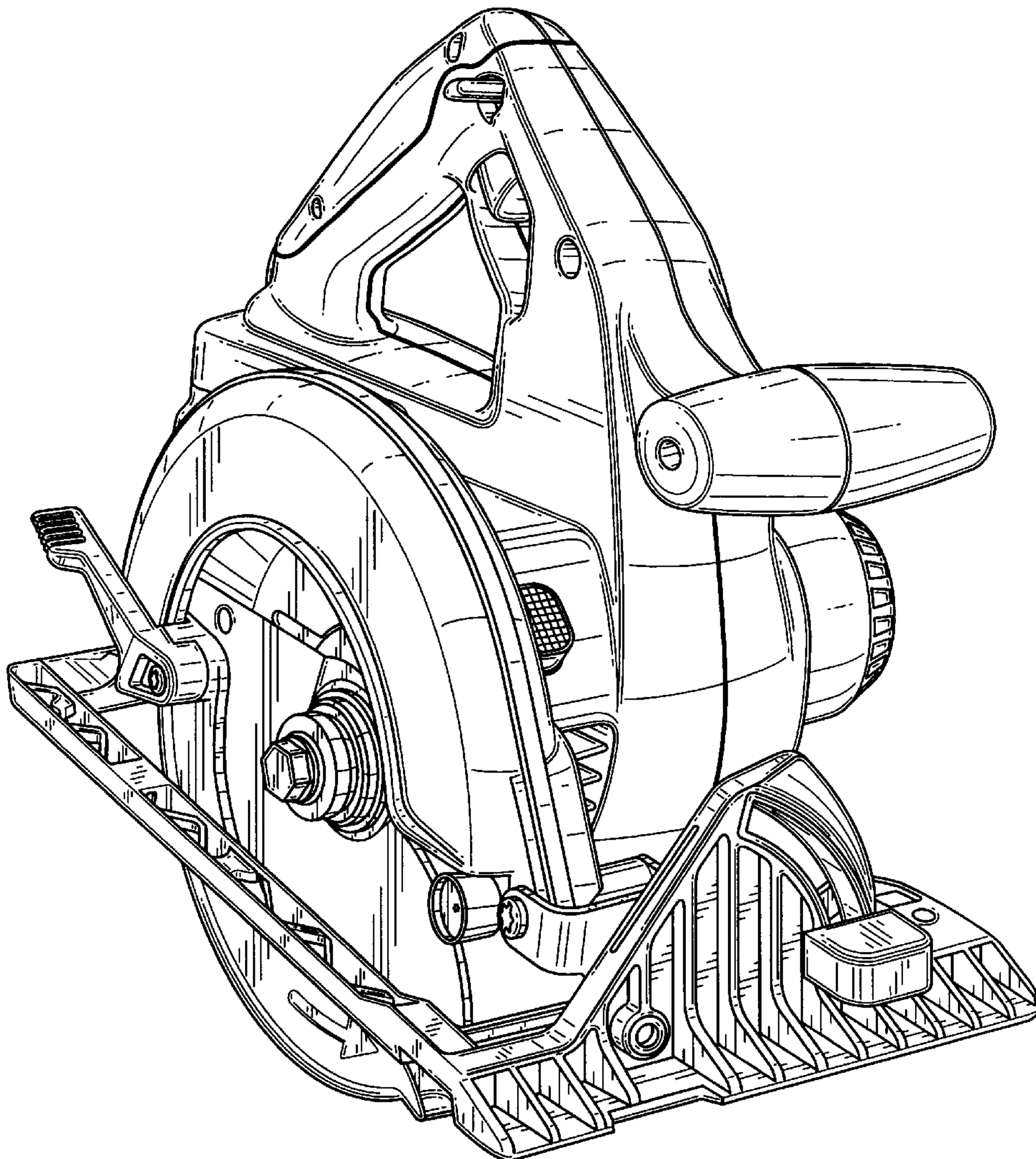
FIG. 7 is a bottom plan view thereof.

[56] **References Cited**

U.S. PATENT DOCUMENTS

D. 329,363 9/1992 Sasaki et al. D8/66
D. 378,488 3/1997 Ito et al. D8/66

1 Claim, 7 Drawing Sheets



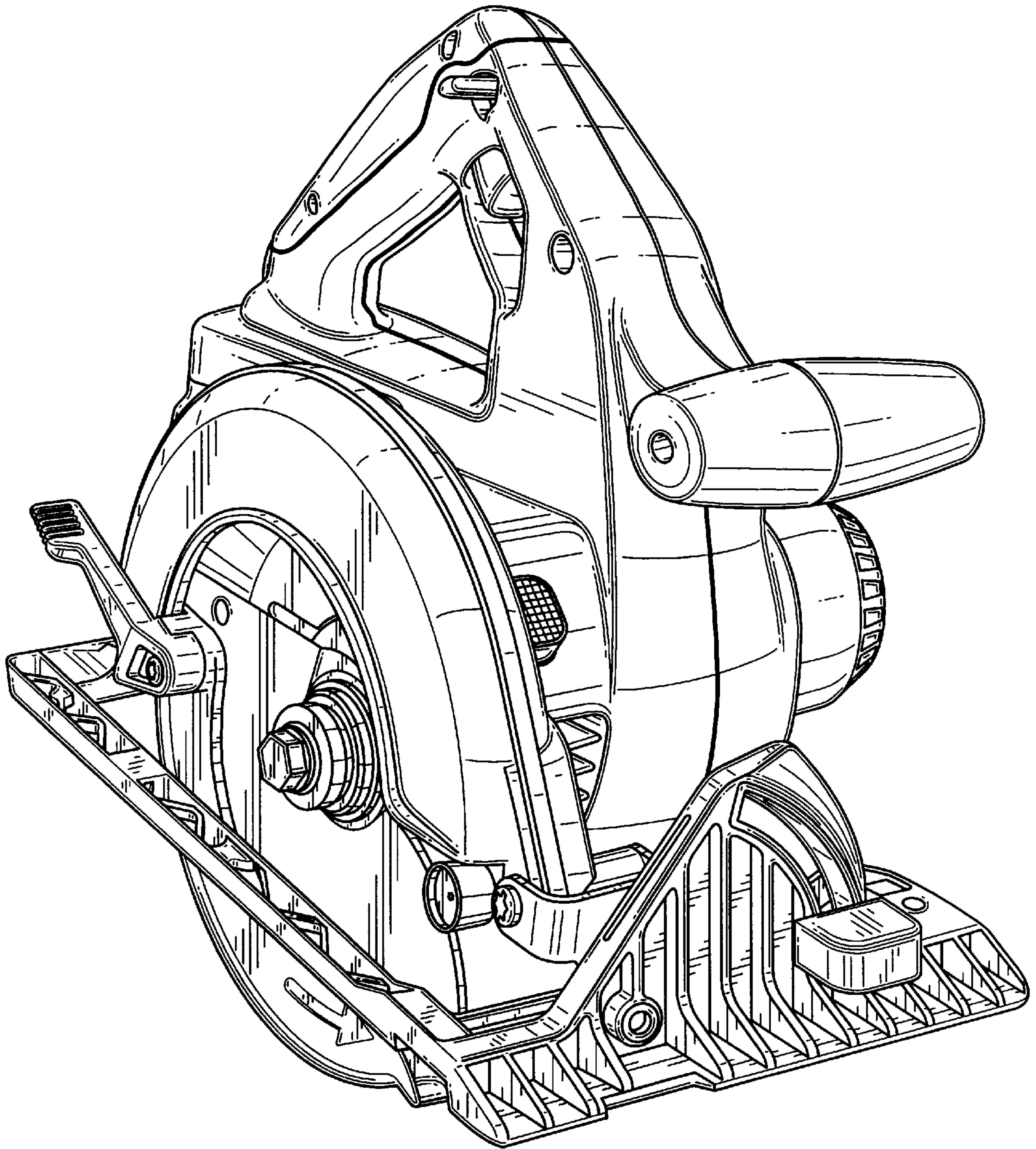


FIG. 1

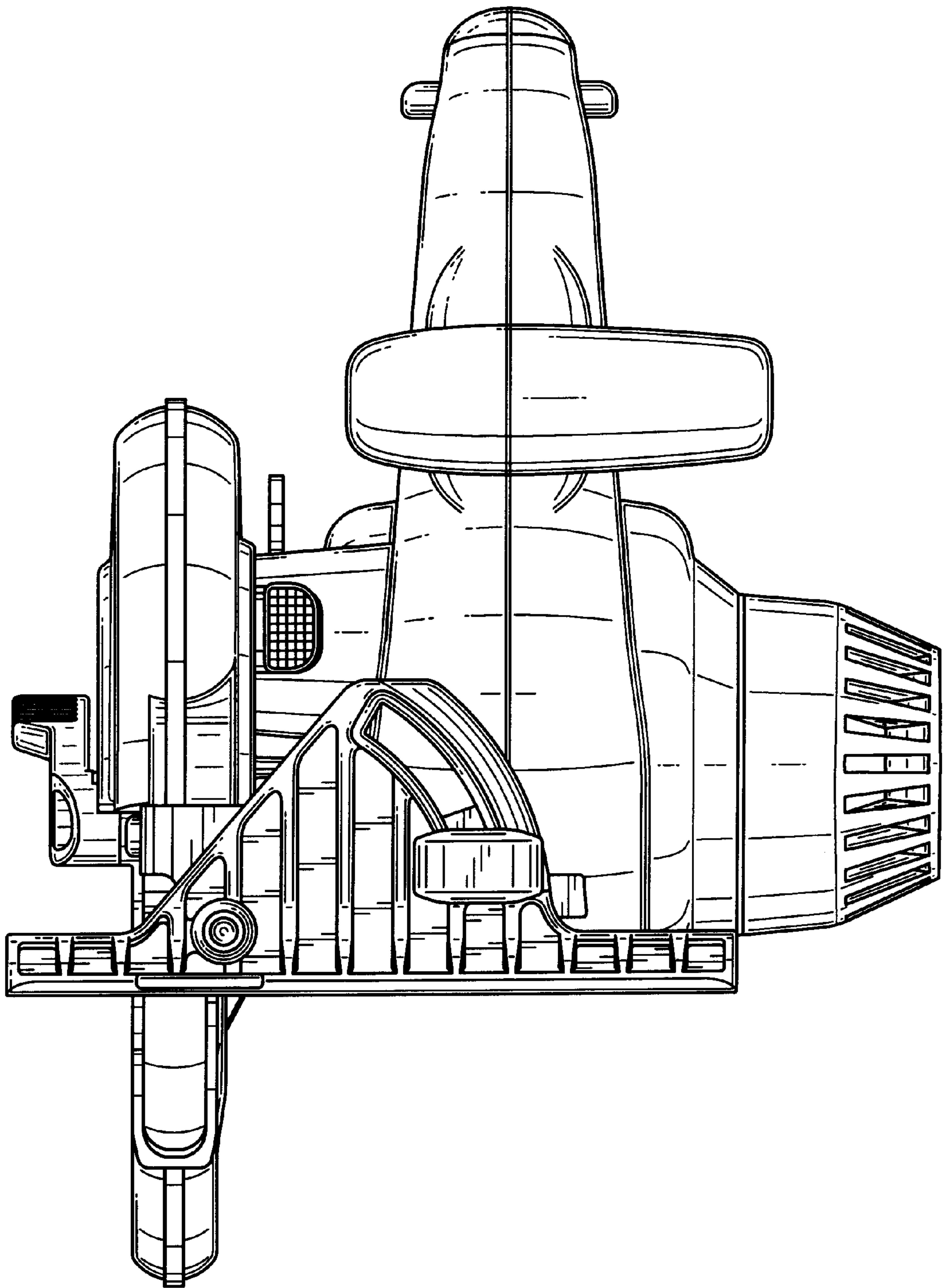


FIG. 2

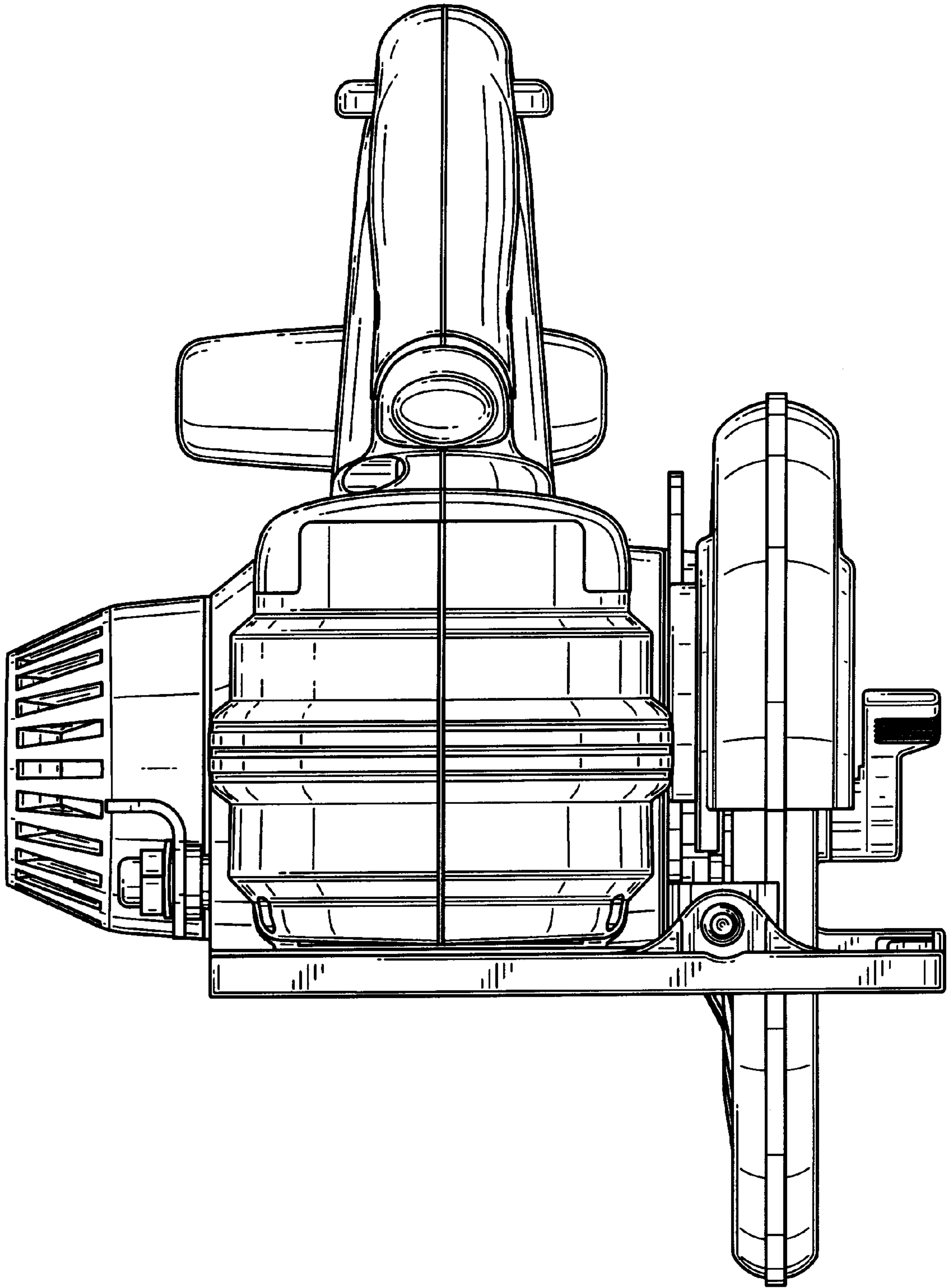


FIG. 3

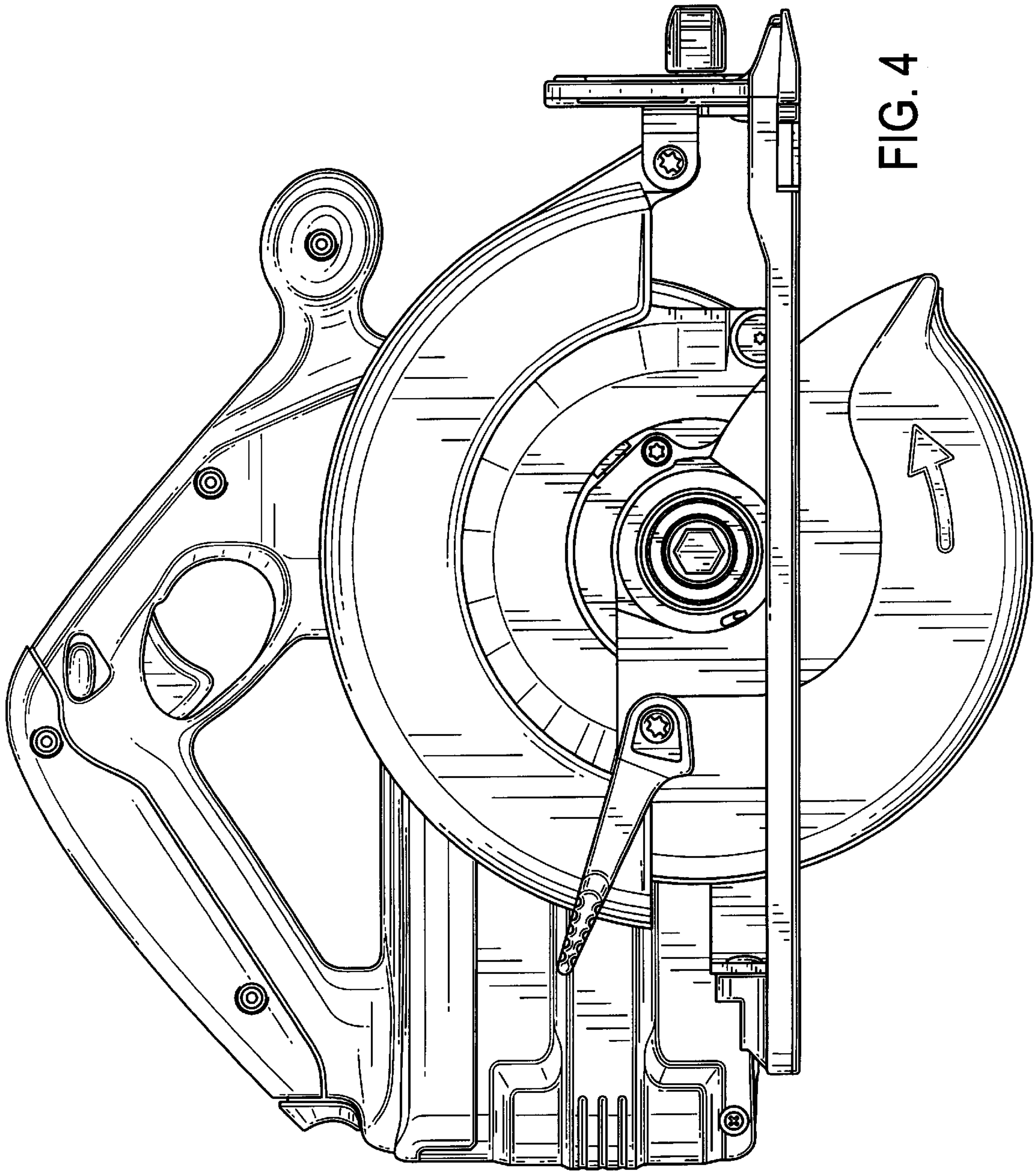


FIG. 4

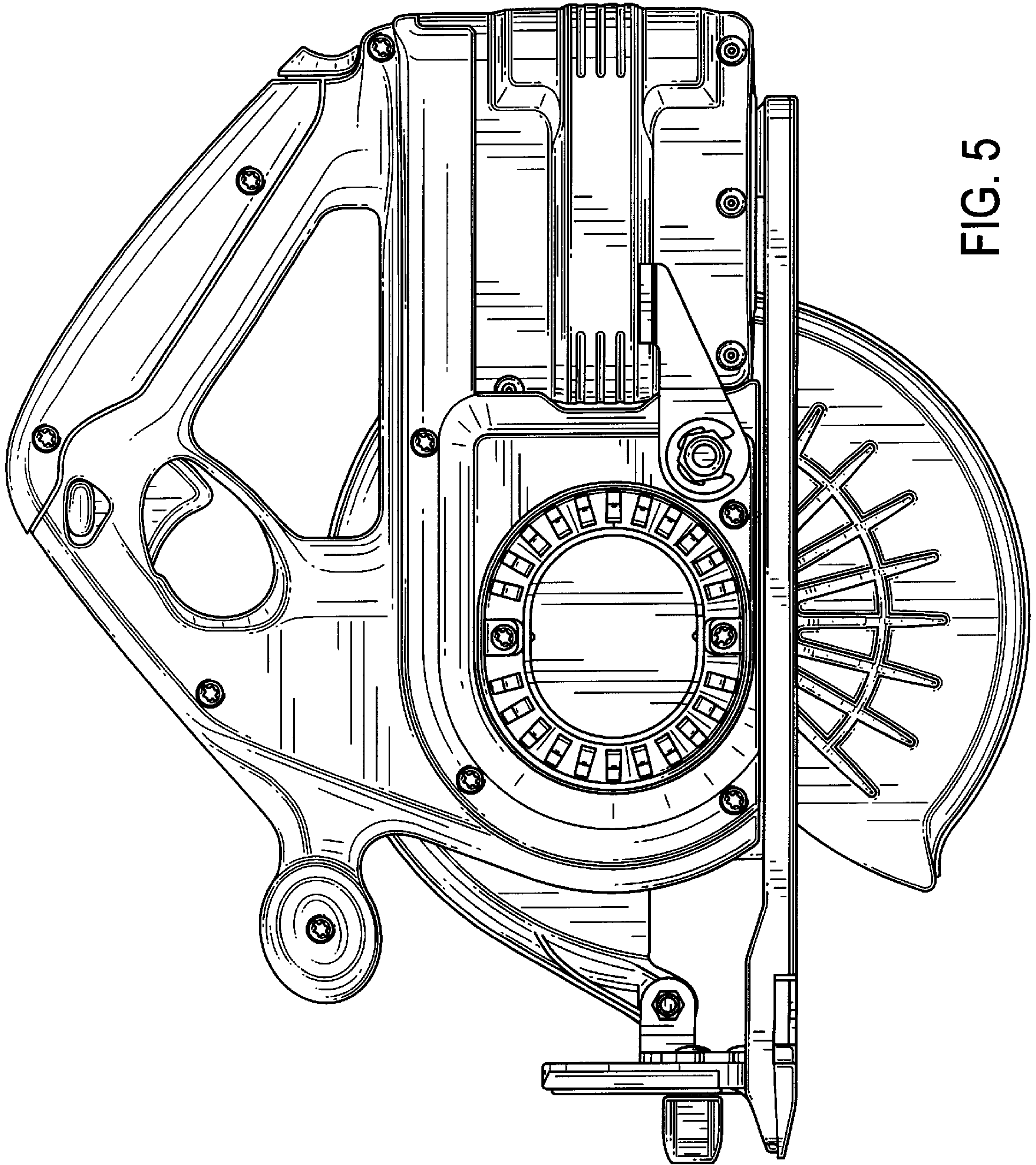


FIG. 5

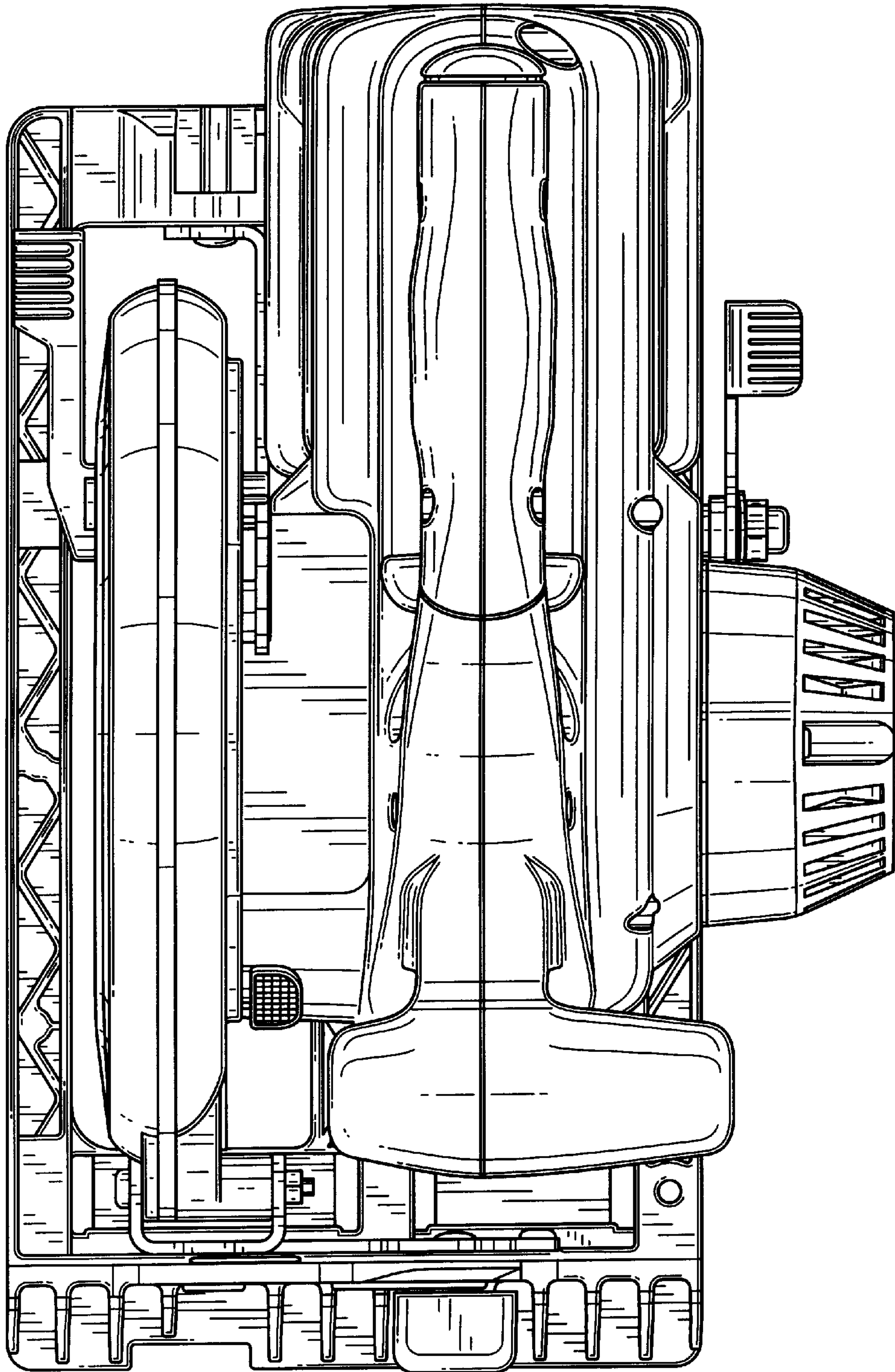


FIG. 6

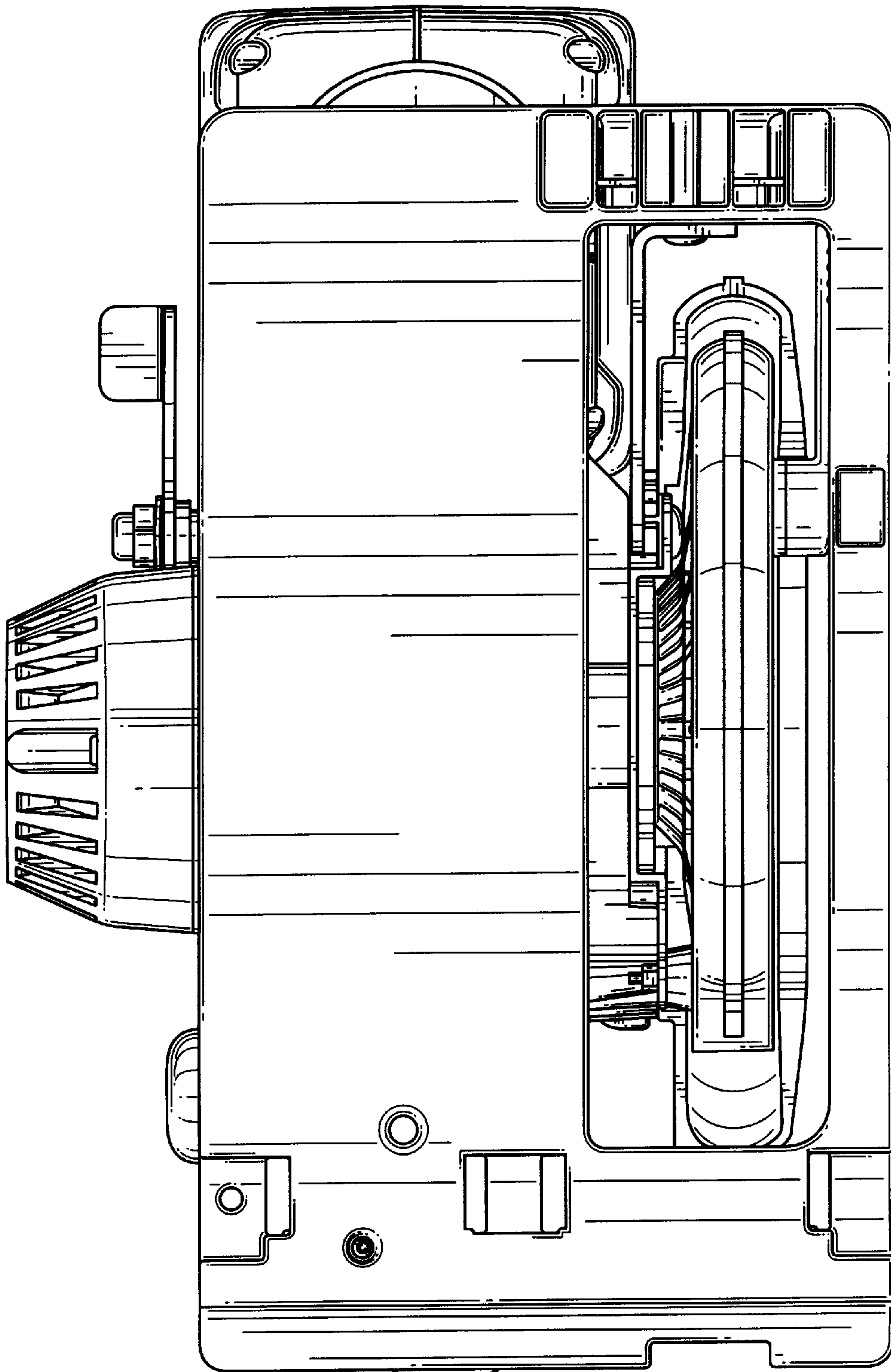


FIG. 7