



US00D433299S

United States Patent [19]

Wang-Kuan

[11] Patent Number: Des. 433,299

[45] Date of Patent: ** Nov. 7, 2000

[54] PNEUMATIC HAMMER

[76] Inventor: Lin Wang-Kuan, 11F-2, No. 43, Chai-I Street, Taichung City, Taiwan

[**] Term: 14 Years

[21] Appl. No.: 29/113,874

[22] Filed: Nov. 15, 1999

[51] LOC (7) Cl. 08-05

[52] U.S. Cl. D8/61

[58] Field of Search D8/61; 227/130, 227/211; 173/48, 201, 109, 47

[56] **References Cited**

U.S. PATENT DOCUMENTS

5,797,463 8/1998 Winter et al. 173/211

Primary Examiner—Antoine Duval Davis
Attorney, Agent, or Firm—Charles E. Baxley

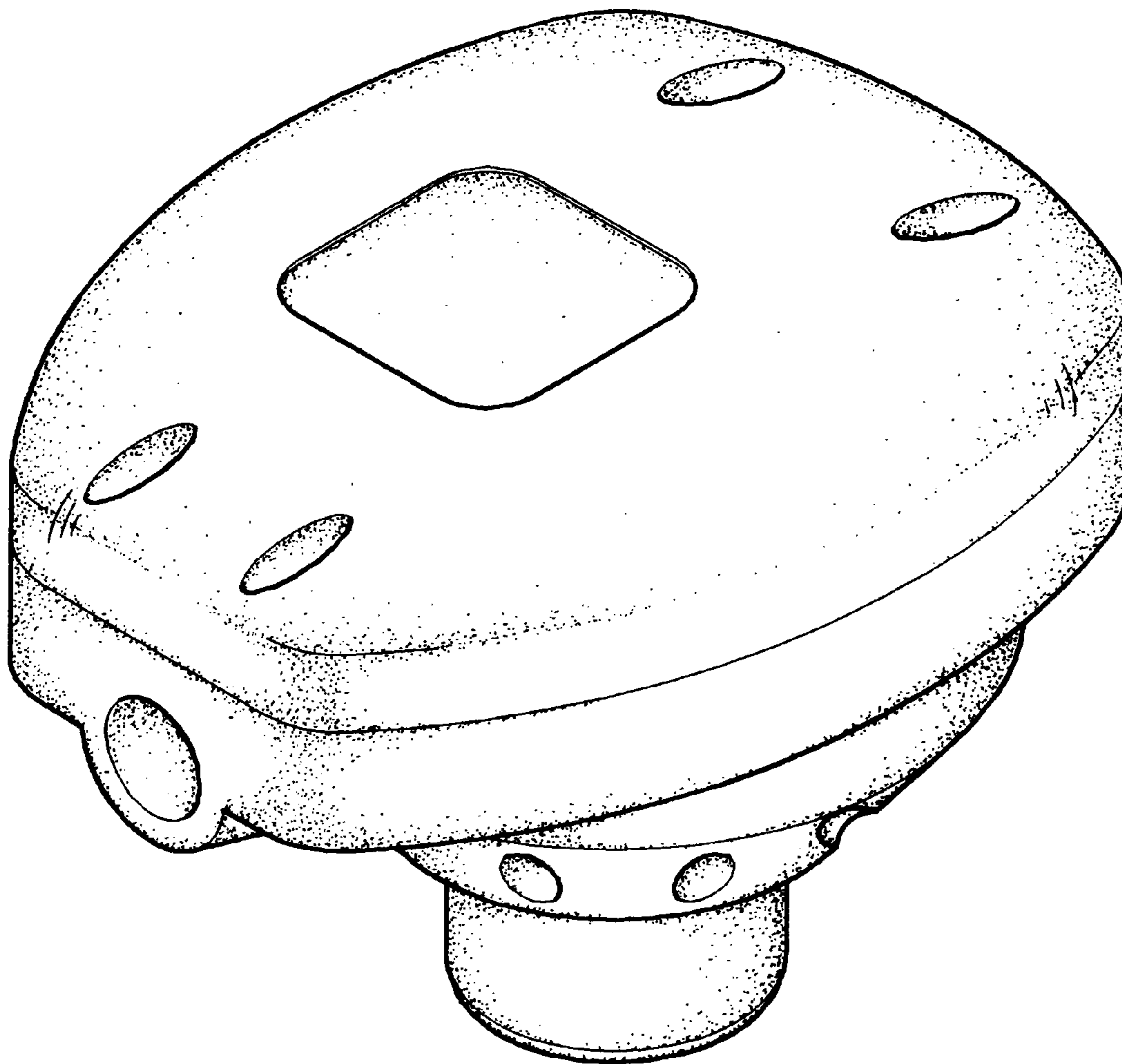
[57] **CLAIM**

The ornamental design for a pneumatic hammer, as shown and described.

DESCRIPTION

FIG. 1 is a front-right-top perspective view of a pneumatic hammer, showing my new design;
FIG. 2 is a front elevational view thereof;
FIG. 3 is a rear elevational view thereof;
FIG. 4 is a left elevational view thereof; (the right side being a mirror image thereof)
FIG. 5 is a top plan view thereof; and,
FIG. 6 is a bottom plan view thereof;

1 Claim, 3 Drawing Sheets



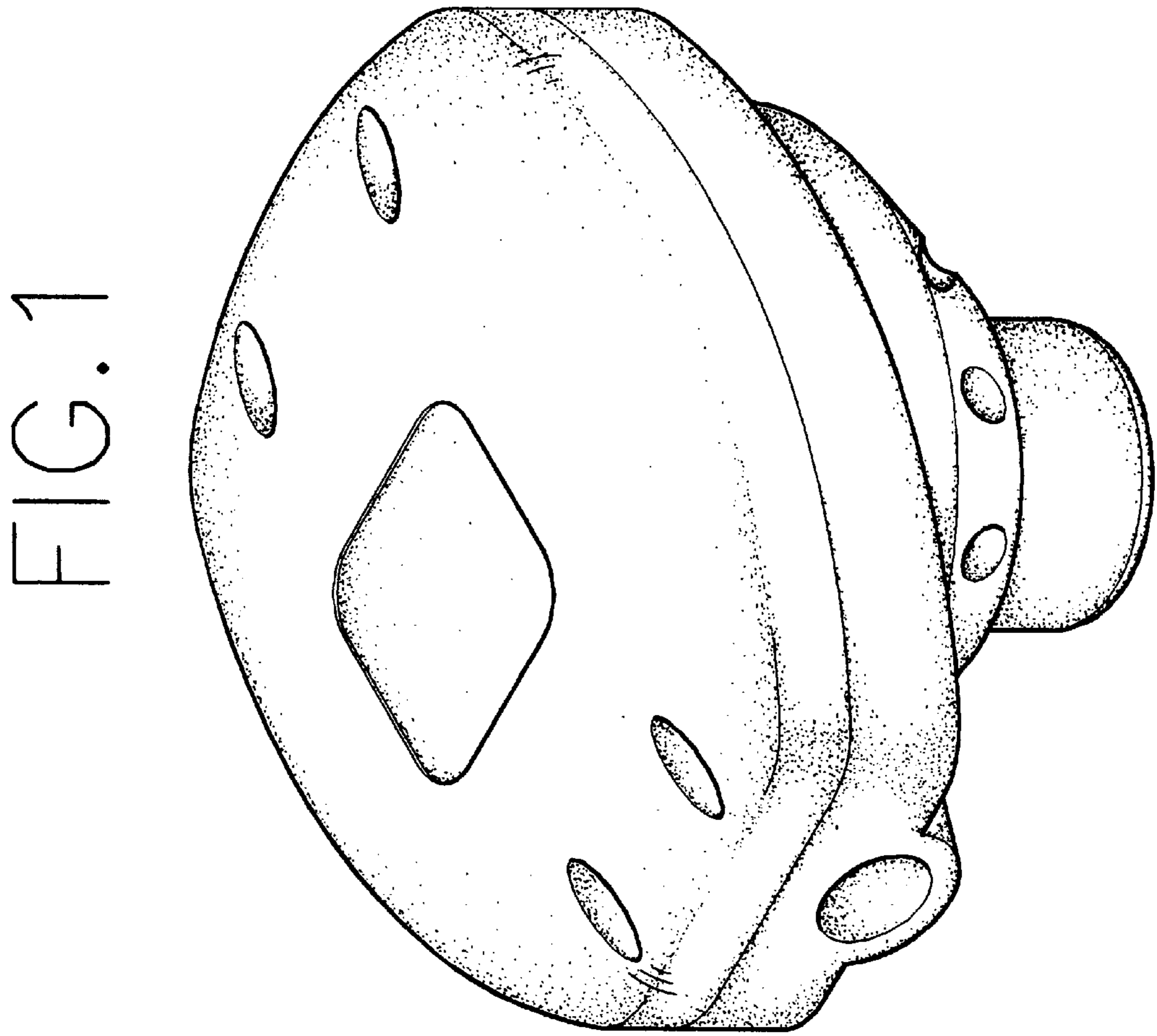


FIG. 1

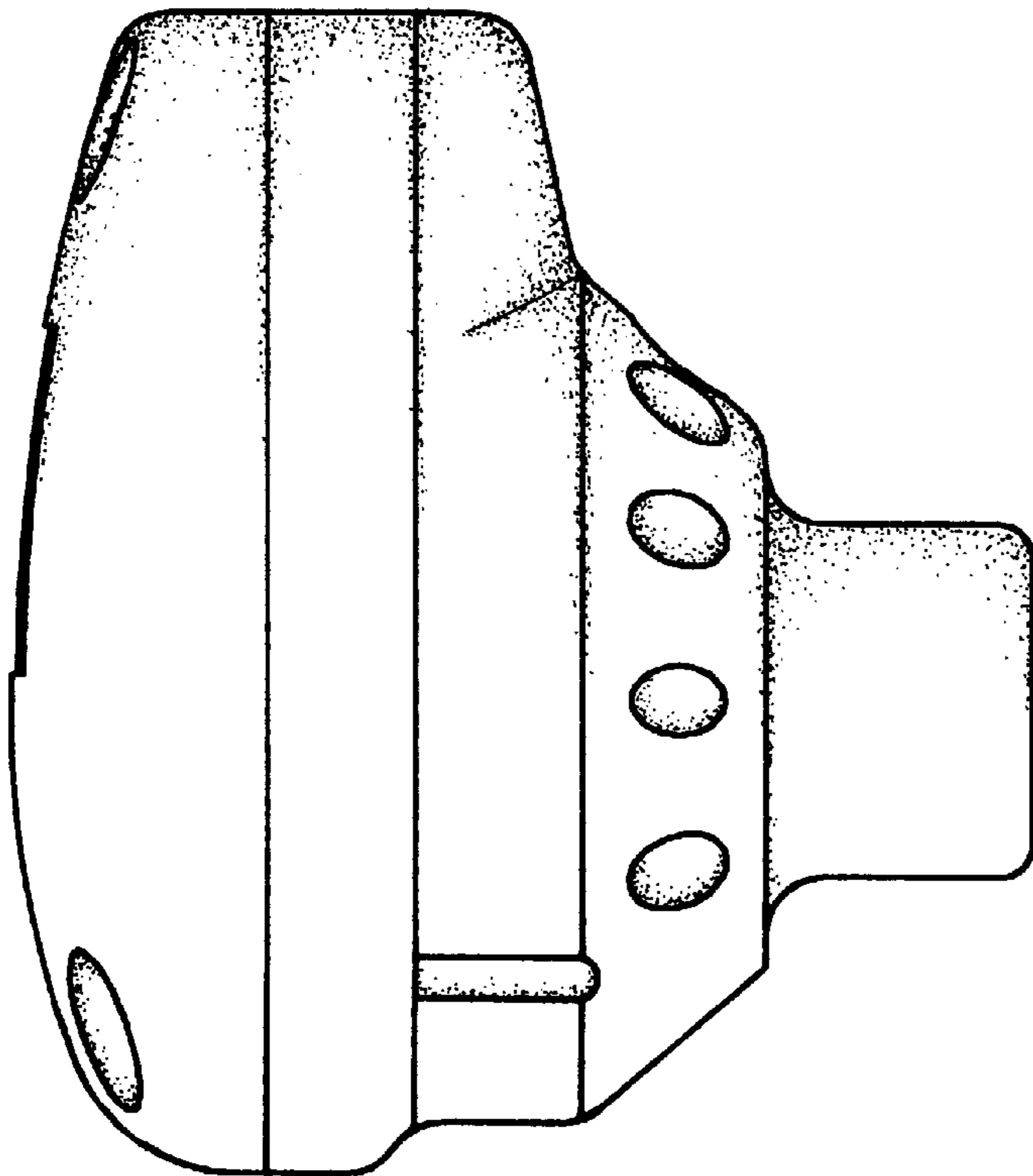


FIG. 4

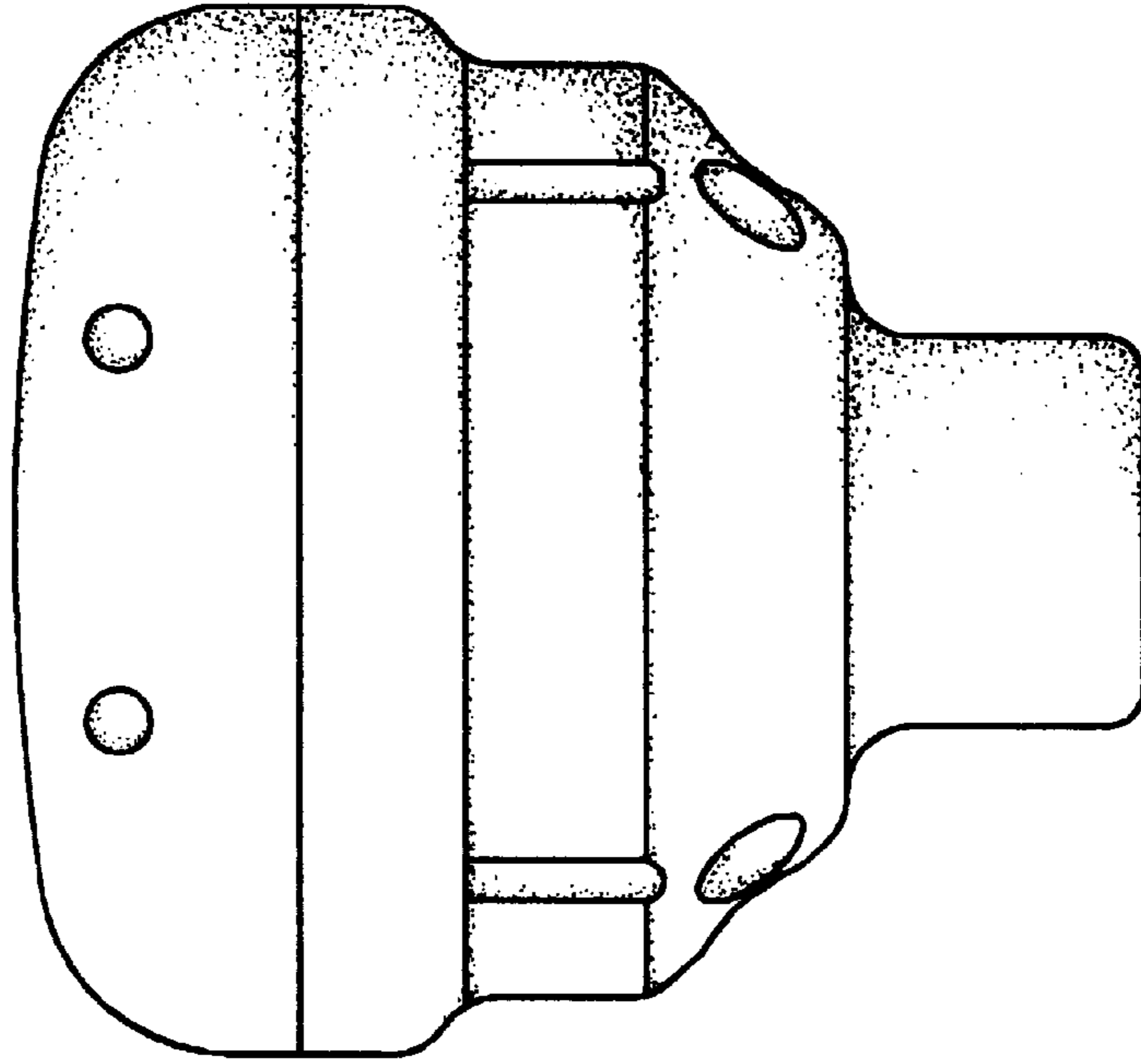


FIG. 3

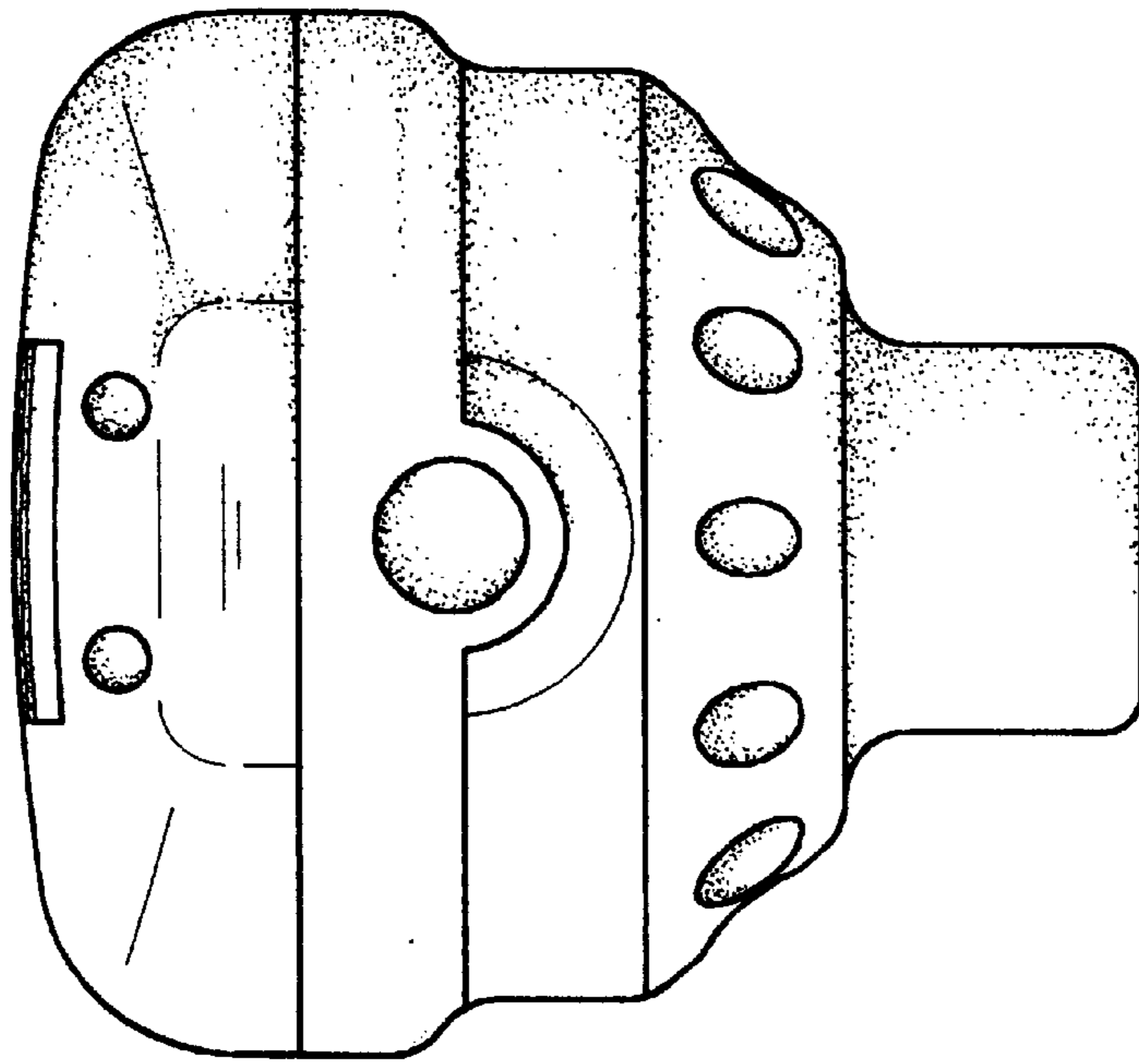


FIG. 2

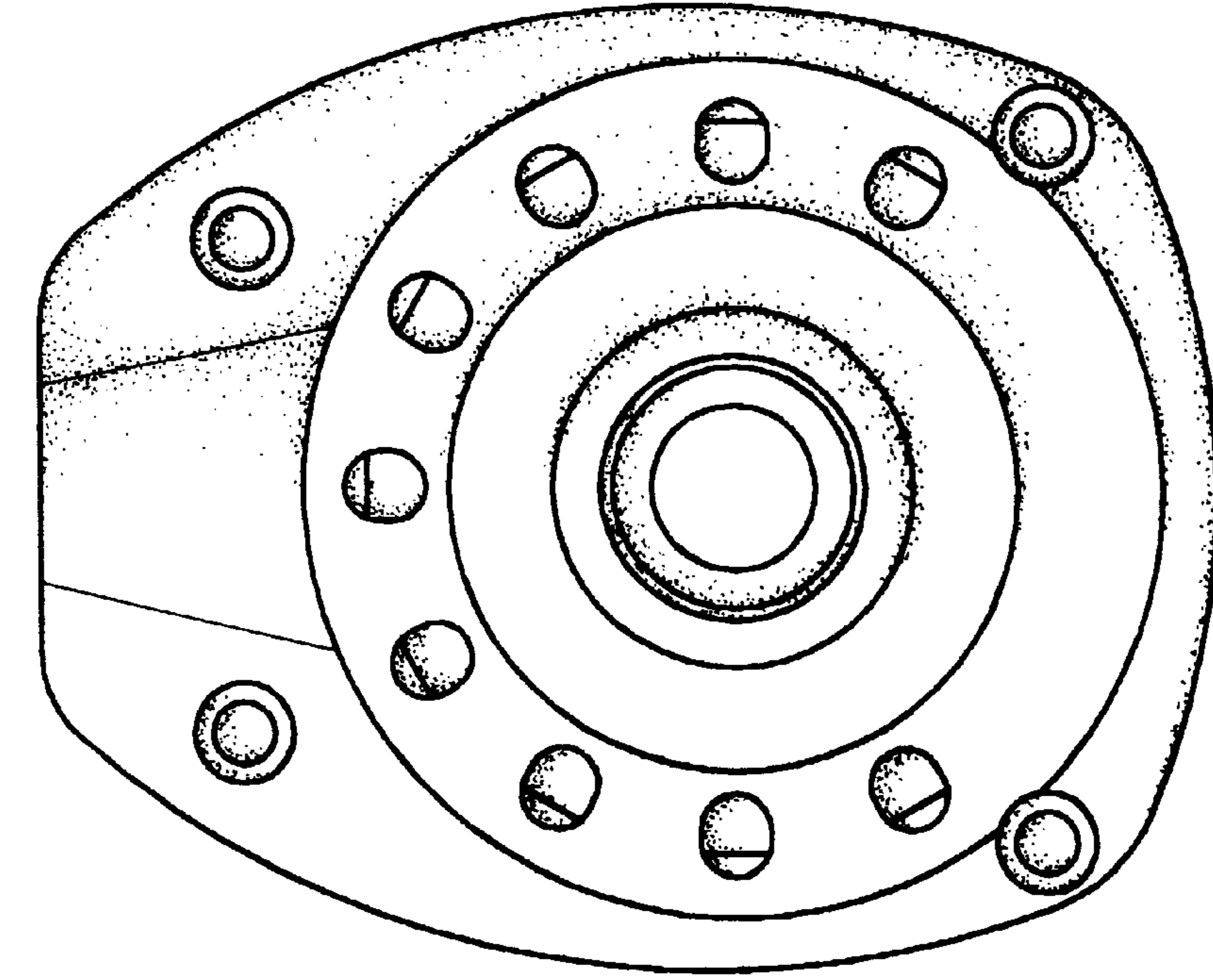


FIG. 5

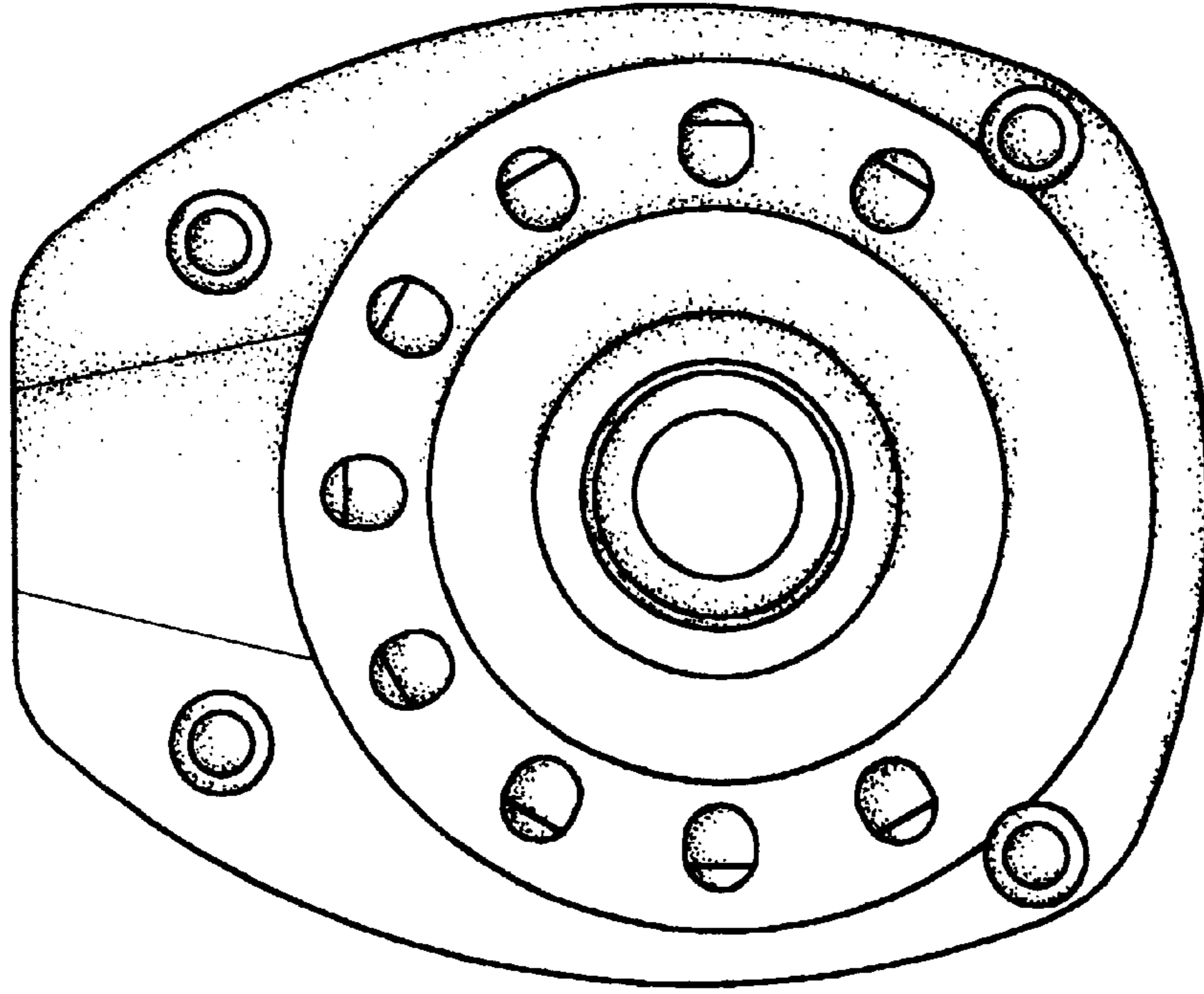


FIG. 6