



US00D433297S

United States Patent [19]

Haas

[11] Patent Number: **Des. 433,297**

[45] Date of Patent: **** Nov. 7, 2000**

[54] **BOTTLE OPENER FOR DISPOSABLE LIGHTER**

[76] Inventor: **James F Haas**, 66 1/2 D W. 13th St., Tempe, Ariz. 85281

[**] Term: **14 Years**

[21] Appl. No.: **29/119,195**

[22] Filed: **Feb. 25, 2000**

[51] **LOC (7) Cl.** **07-99**

[52] **U.S. Cl.** **D8/34; D8/40; D27/142**

[58] **Field of Search** D8/33-43, 18, D8/19; 30/400-443; 81/3.07-3.49; 7/151-156; 431/253; D27/142; D7/536

[56] **References Cited**

U.S. PATENT DOCUMENTS

D. 303,613	9/1989	Carmody	D8/40
D. 308,929	7/1990	Greig et al.	D8/34
D. 367,413	2/1996	Ballin	D8/34
D. 373,290	9/1996	Ballin	D7/536
D. 374,740	10/1996	Seaman et al.	D27/142
D. 378,440	3/1997	Collette	D27/142
1,755,086	4/1930	Tapp	81/3.09
1,810,630	6/1931	Tapp	81/3.09
2,745,301	5/1956	Grunwald	81/3.15
4,373,223	2/1983	Miller	7/151
4,522,584	6/1985	Crespy	431/253
4,553,926	11/1985	Crespy	431/253
4,560,344	12/1985	Kietaibl	431/253
4,569,653	2/1986	Becker et al.	431/253
4,642,827	2/1987	Karuzas	7/151

4,854,856	8/1989	Steiger, Jr. et al.	431/253
5,169,305	12/1992	Kee	431/253
5,829,965	11/1998	Rubalcava	431/253

Primary Examiner—Jeffrey Asch

[57] **CLAIM**

The ornamental design for a bottle opener for disposable lighter, as shown and described.

DESCRIPTION

FIG. 1 is a front elevational view of the bottle opener for disposable lighter of the present invention, the rear view being a mirror image thereof;

FIG. 2 is a top plan view of the bottle opener for disposable lighter of FIG. 1, the bottom view being a mirror image thereof;

FIG. 3 is a top, front, right side perspective view of the bottle opener for disposable lighter of FIG. 1;

FIG. 4 is a right side elevational view of the bottle opener for disposable lighter of FIG. 1, the left view being a mirror image thereof;

FIG. 5 is a top plan view of an alternate embodiment of the bottle opener for disposable lighter of FIG. 1 the bottom view being a mirror image thereof; and,

FIG. 6 is a top, front, right side perspective view of the bottle opener for disposable lighter of FIG. 5 the top, rear, and left side view being a mirror image thereof.

The broken lines showing of a disposable lighter in FIGS. 1 and 4, and the bottle in FIG. 4 are for illustrative purposes only and form no part of the claimed design.

1 Claim, 2 Drawing Sheets

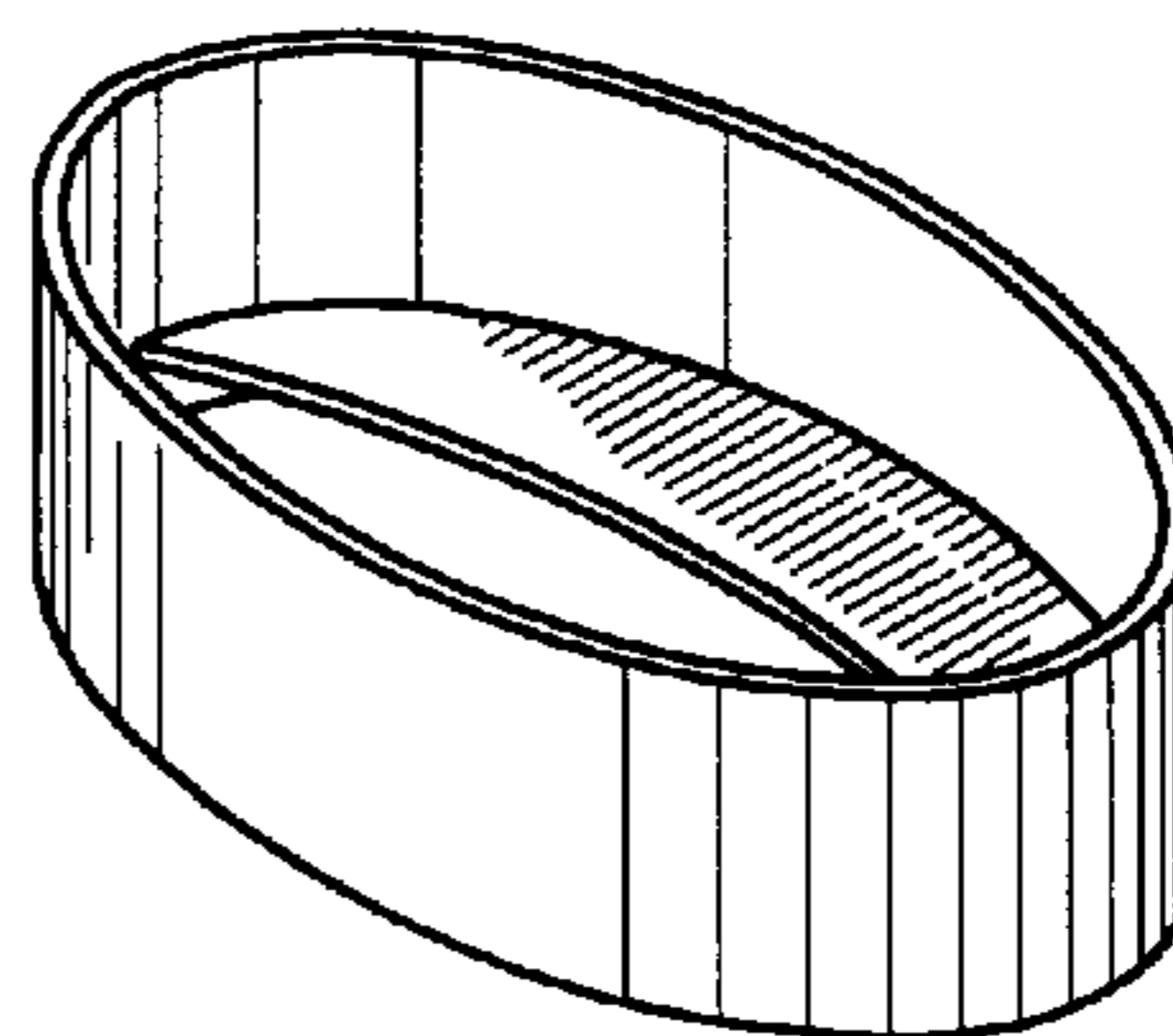
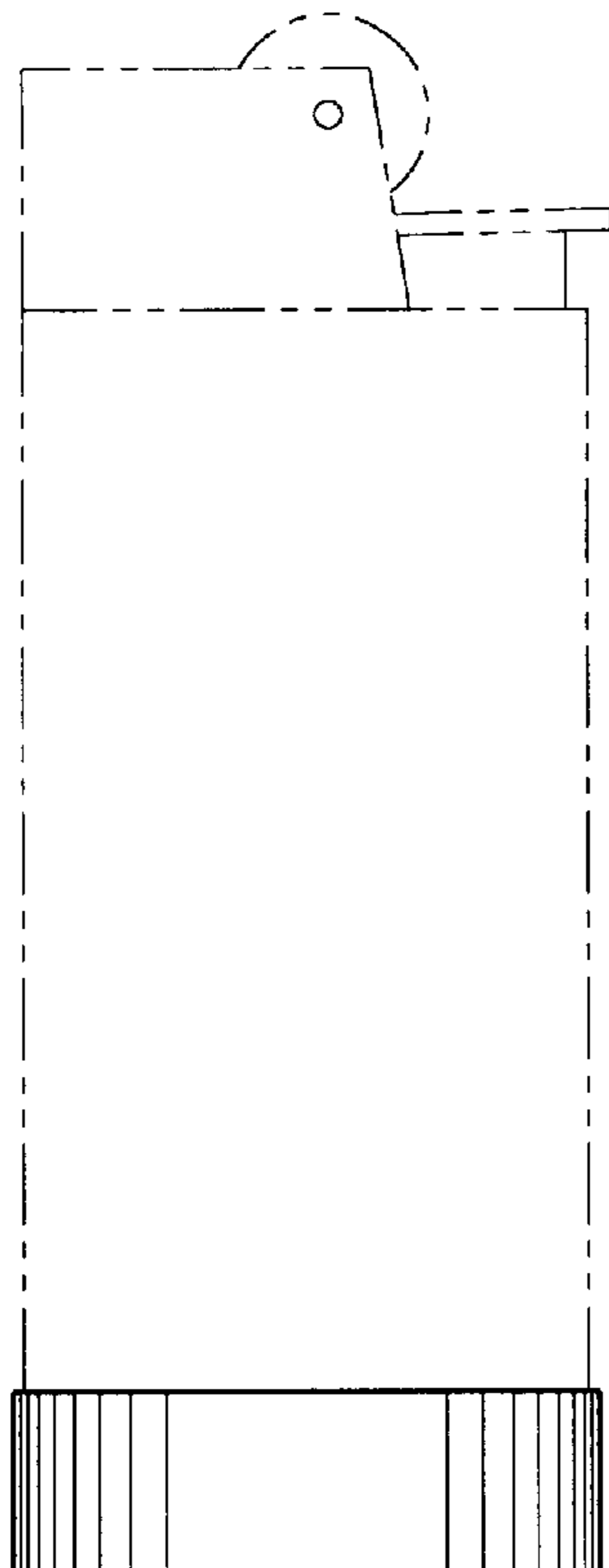


FIG. 1

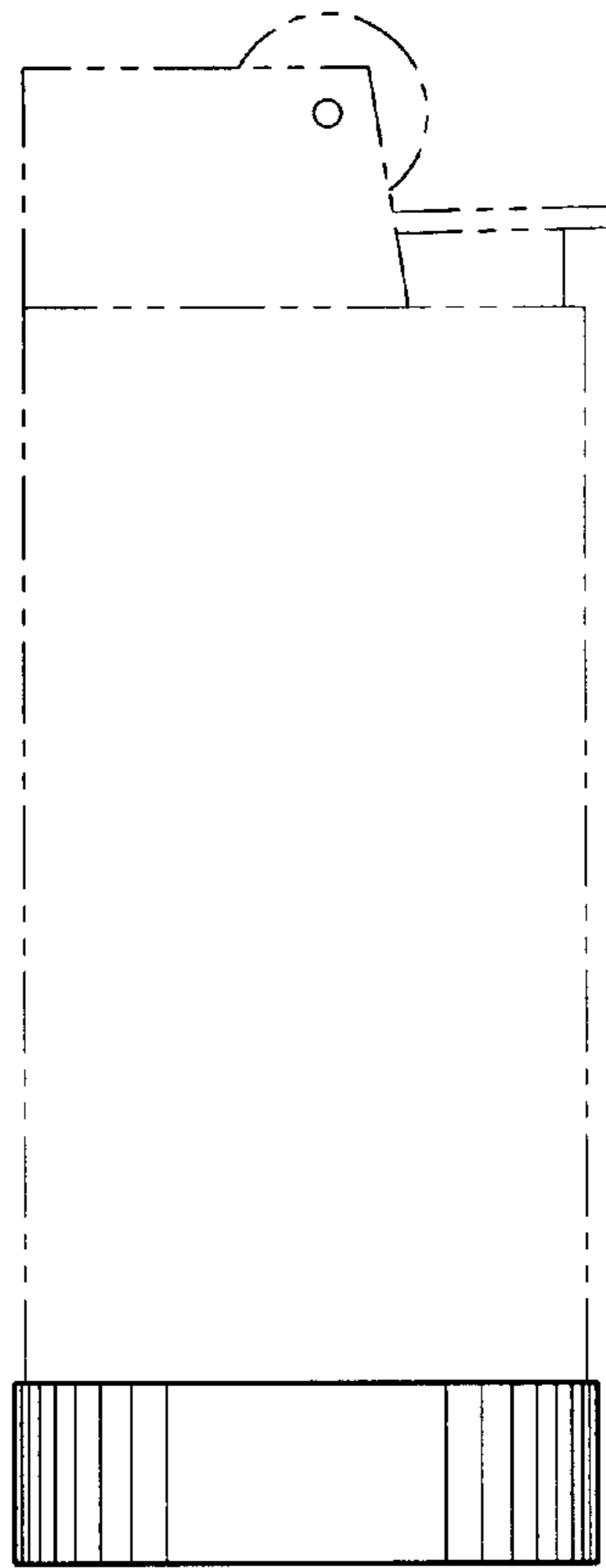


FIG. 2

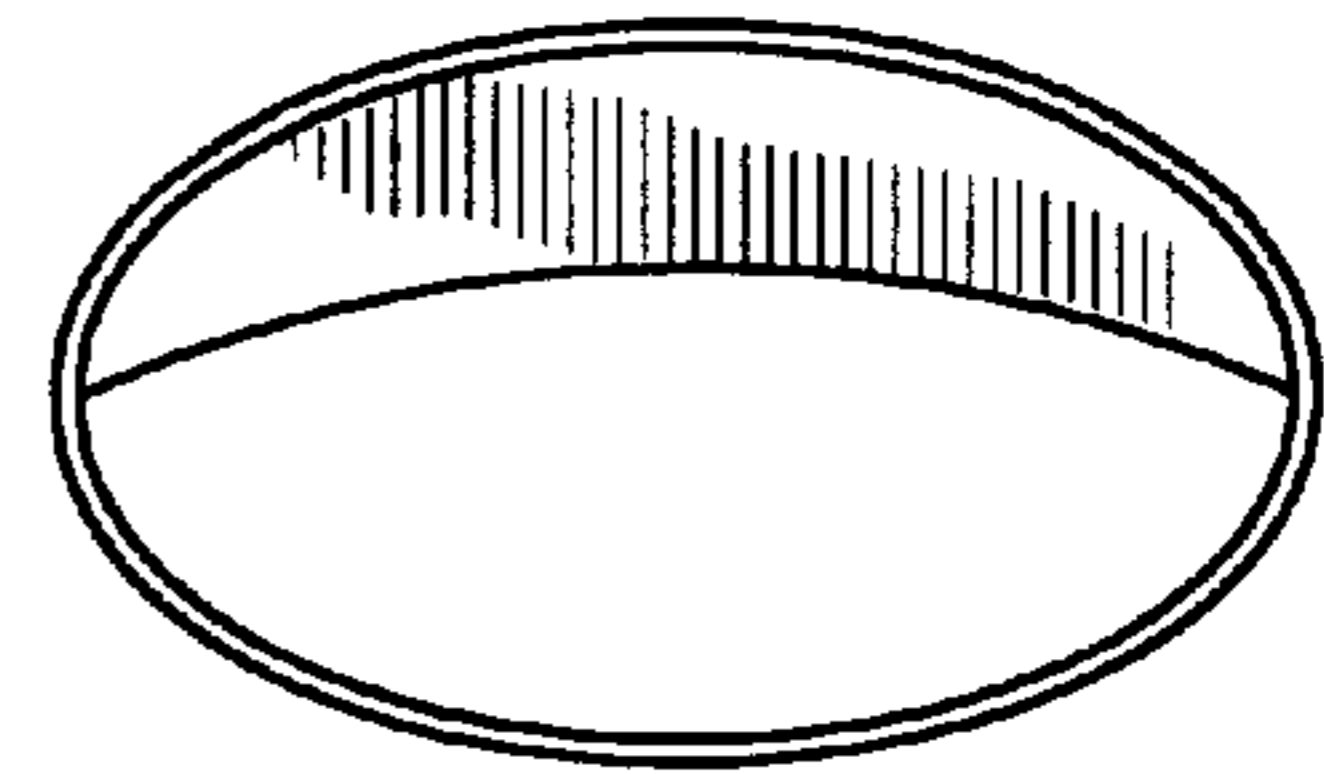


FIG. 3

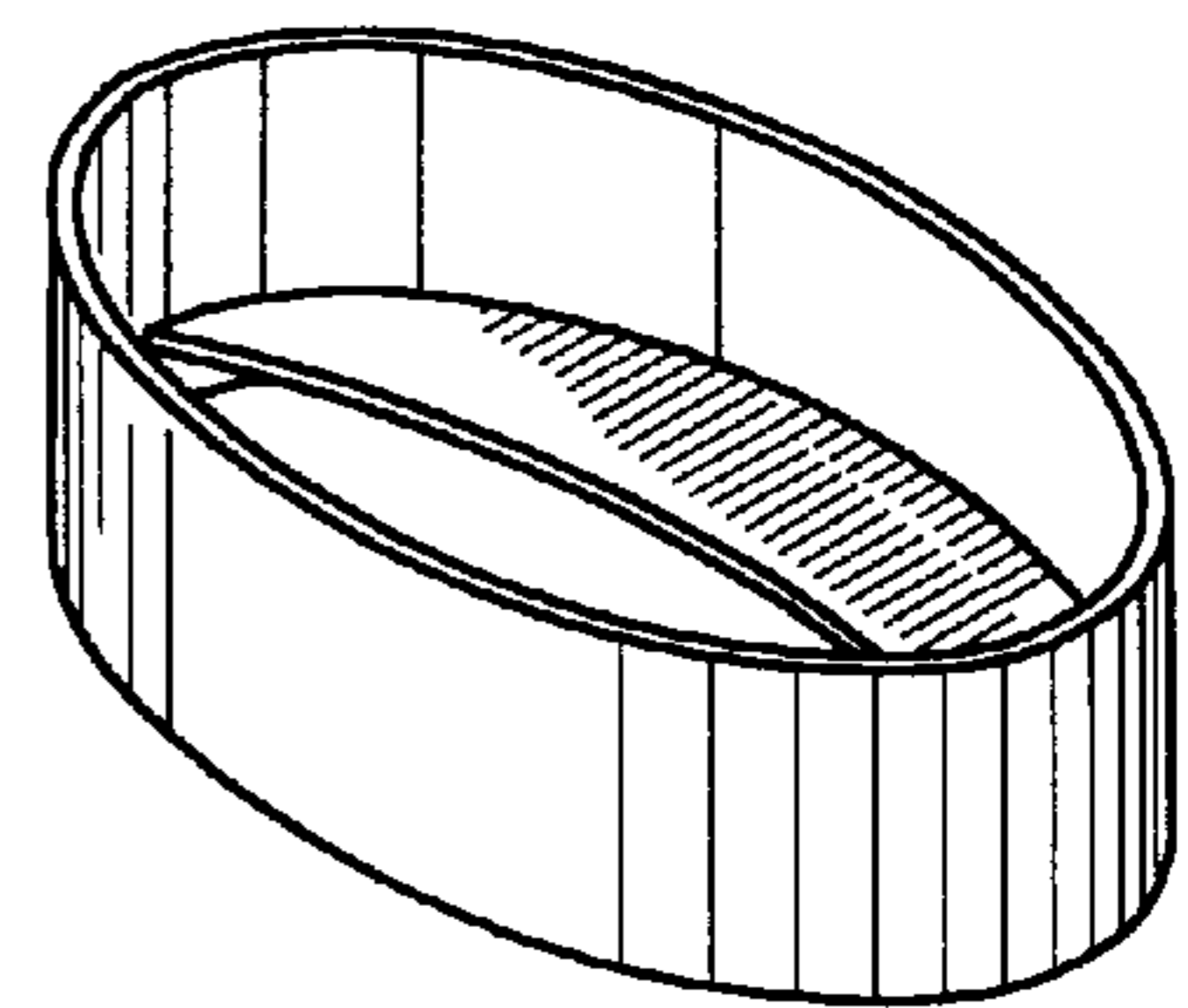


FIG. 5

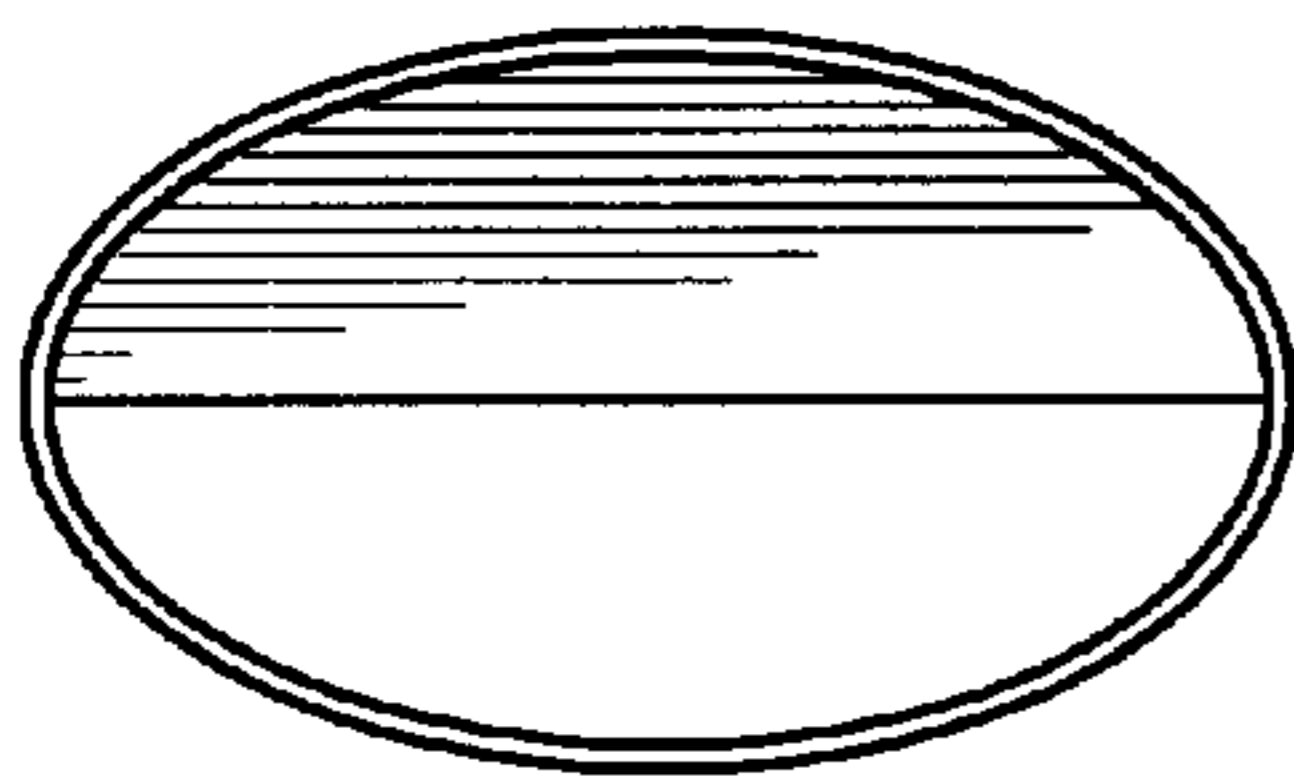


FIG. 6

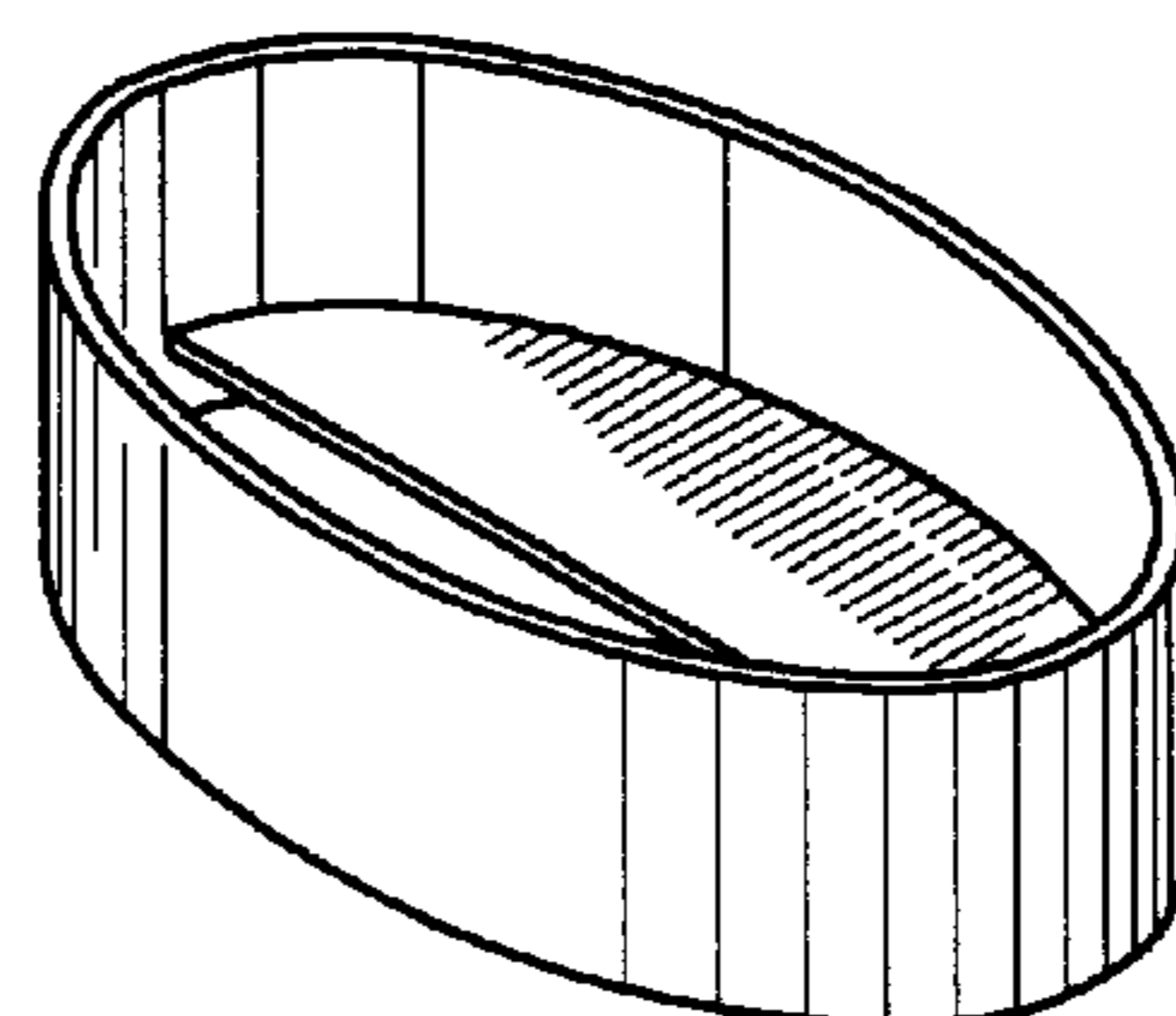


FIG. 4

