



US00D433294S

United States Patent [19]

Doshay

[11] **Patent Number: Des. 433,294**

[45] **Date of Patent: ** Nov. 7, 2000**

[54] **REPLACEMENT SPRINKLER HEAD
INSTALLATION TOOL**

438,801 10/1890 Delehanty 81/461
583,901 6/1897 House 81/124.3
1,611,408 12/1926 Bowers 81/124.3

[76] Inventor: **Irving Doshay**, 380 Surfview Dr.,
Pacific Palisades, Calif. 90272

Primary Examiner—Raphael Barkai
Attorney, Agent, or Firm—Norton R. Townsley

[**] Term: **14 Years**

[57] CLAIM

[21] Appl. No.: **29/110,904**

I claim the ornamental design for the replacement sprinkler head installation tool, as shown and described.

[22] Filed: **Sep. 15, 1999**

DESCRIPTION

[51] **LOC (7) Cl.** **08-05**

[52] **U.S. Cl.** **D8/28**

[58] **Field of Search** D8/17, 19, 21-29;
81/124.3, 124.4, 124.7, 125.1, 176.15, 461,
186

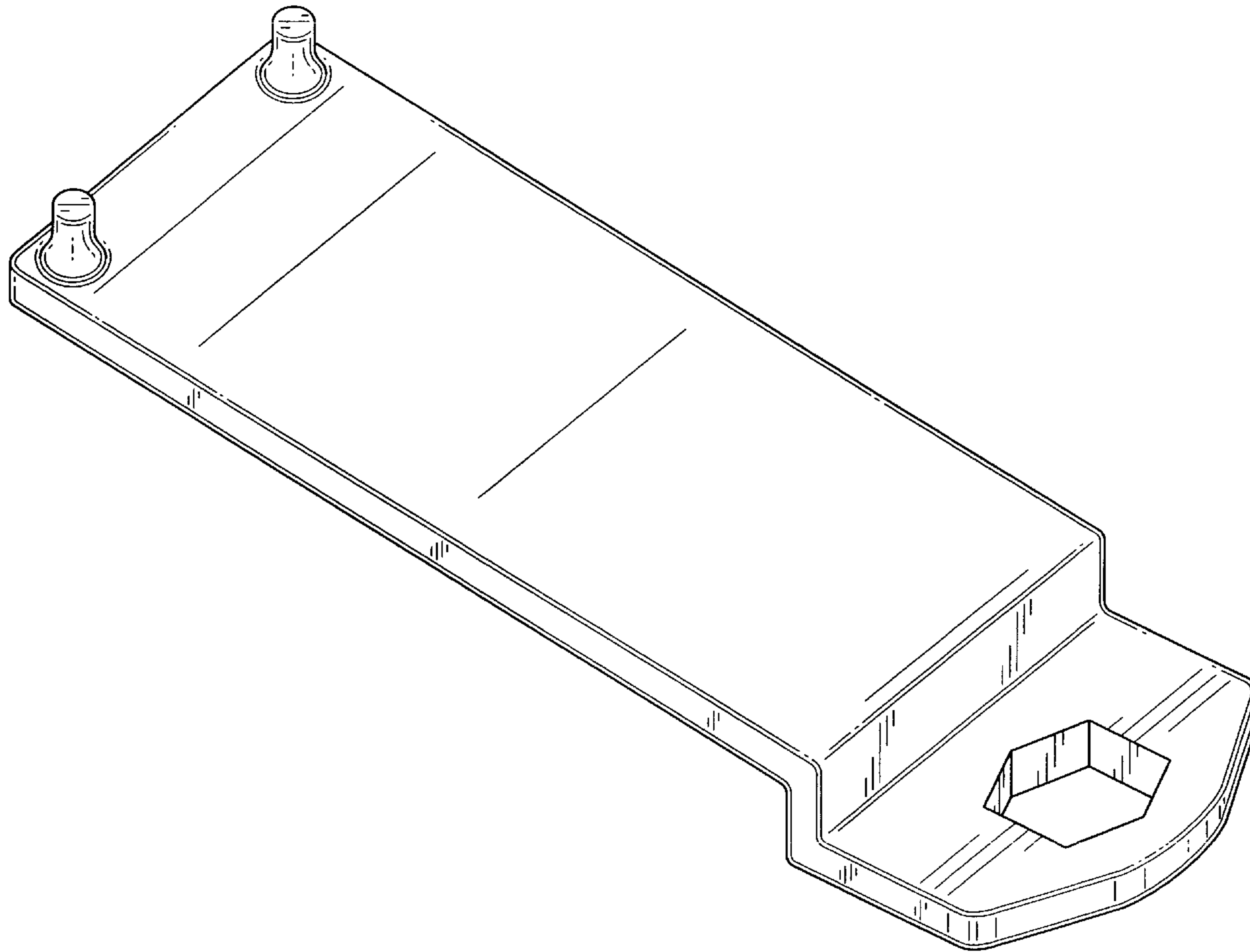
FIG. 1 is a three dimensional view of a replacement sprinkler head installation tool showing my new design;
FIG. 2 is a top view thereof;
FIG. 3 is a bottom view thereof;
FIG. 4 is a side elevational view from one side thereof, the other side elevational view being a mirror image of this Figure;
FIG. 5 is an end elevational view from one end thereof; and,
FIG. 6 is an end elevational view from the other end thereof.

[56] References Cited

U.S. PATENT DOCUMENTS

D. 105,337 7/1937 McNaught 81/124.4
D. 333,243 2/1993 Brown D8/21
D. 373,940 9/1996 Kerlee D8/28

1 Claim, 5 Drawing Sheets



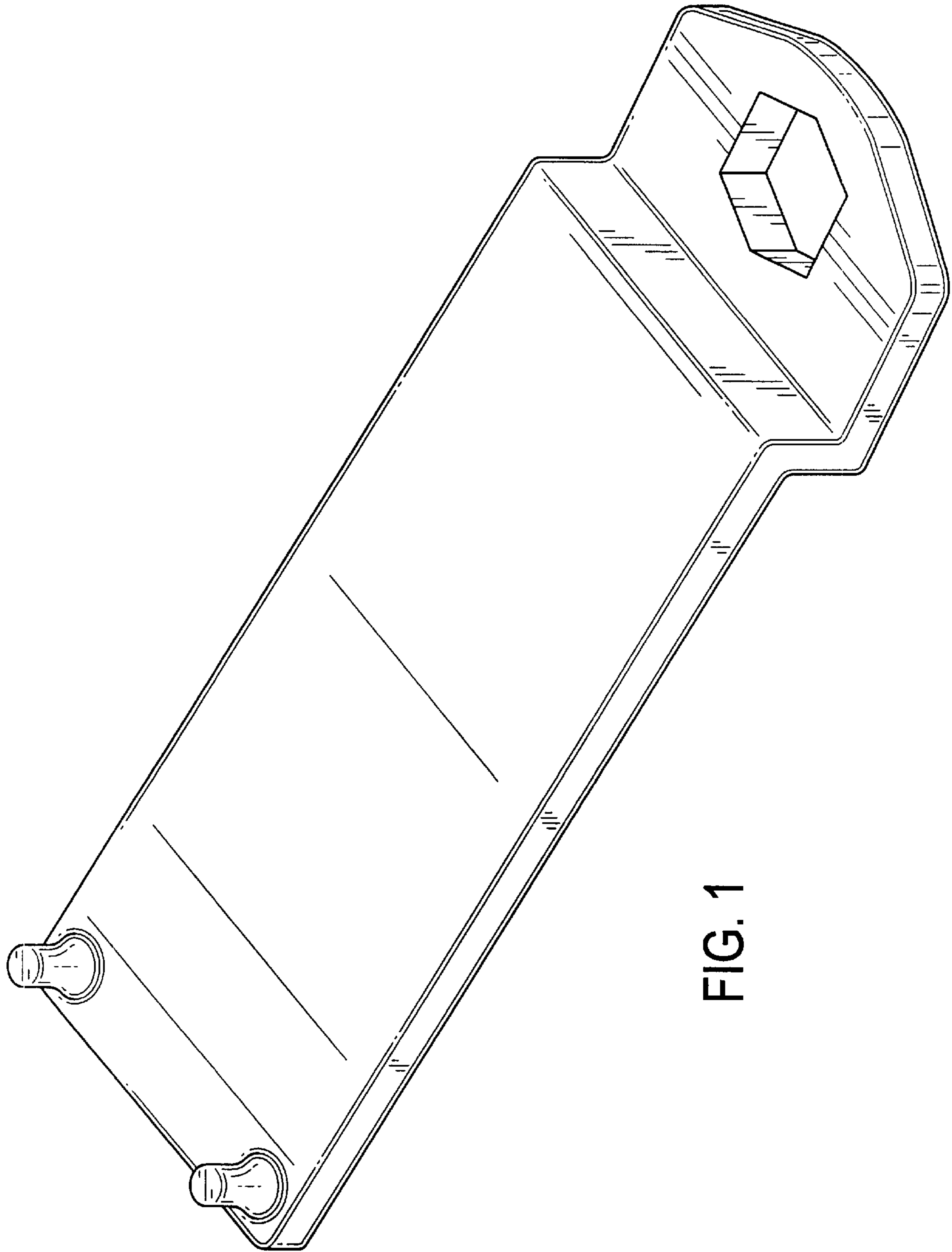


FIG. 1

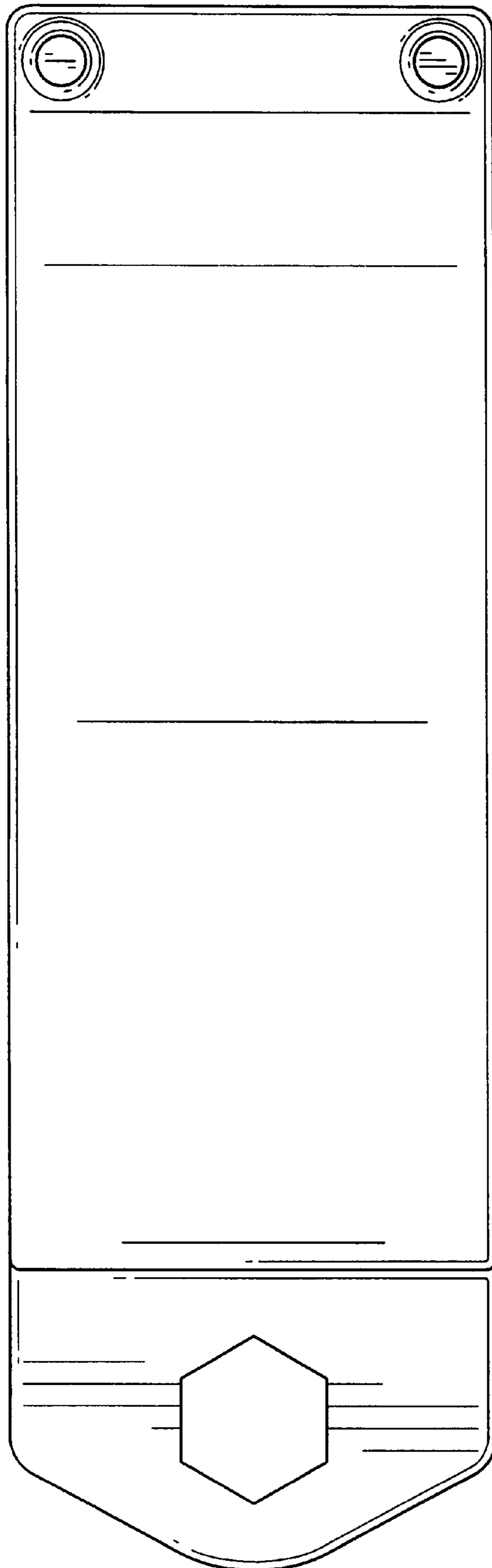


FIG. 2

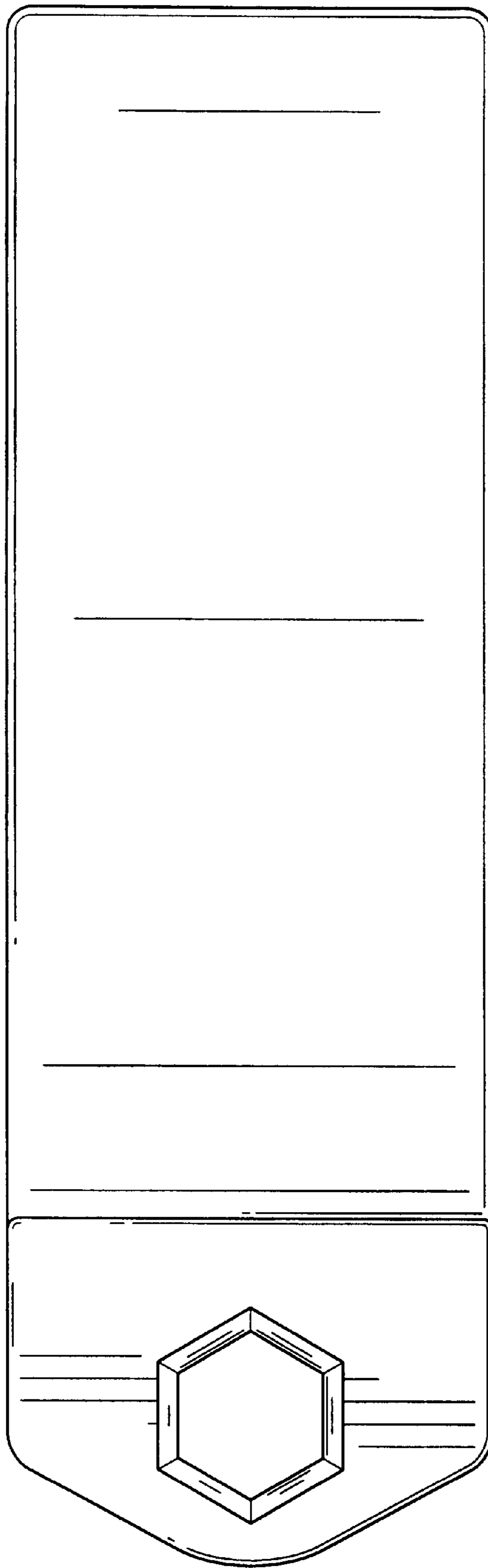


FIG. 3

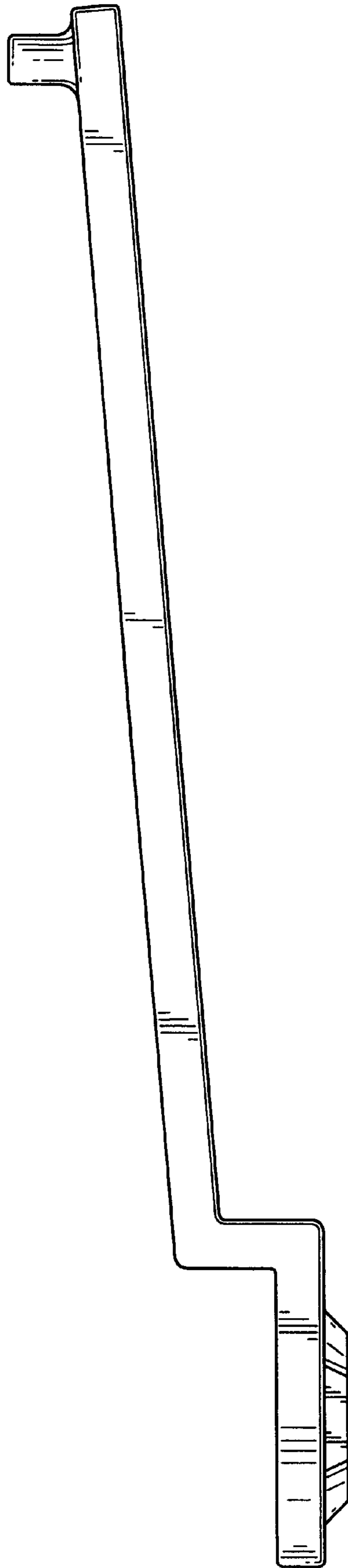


FIG. 4

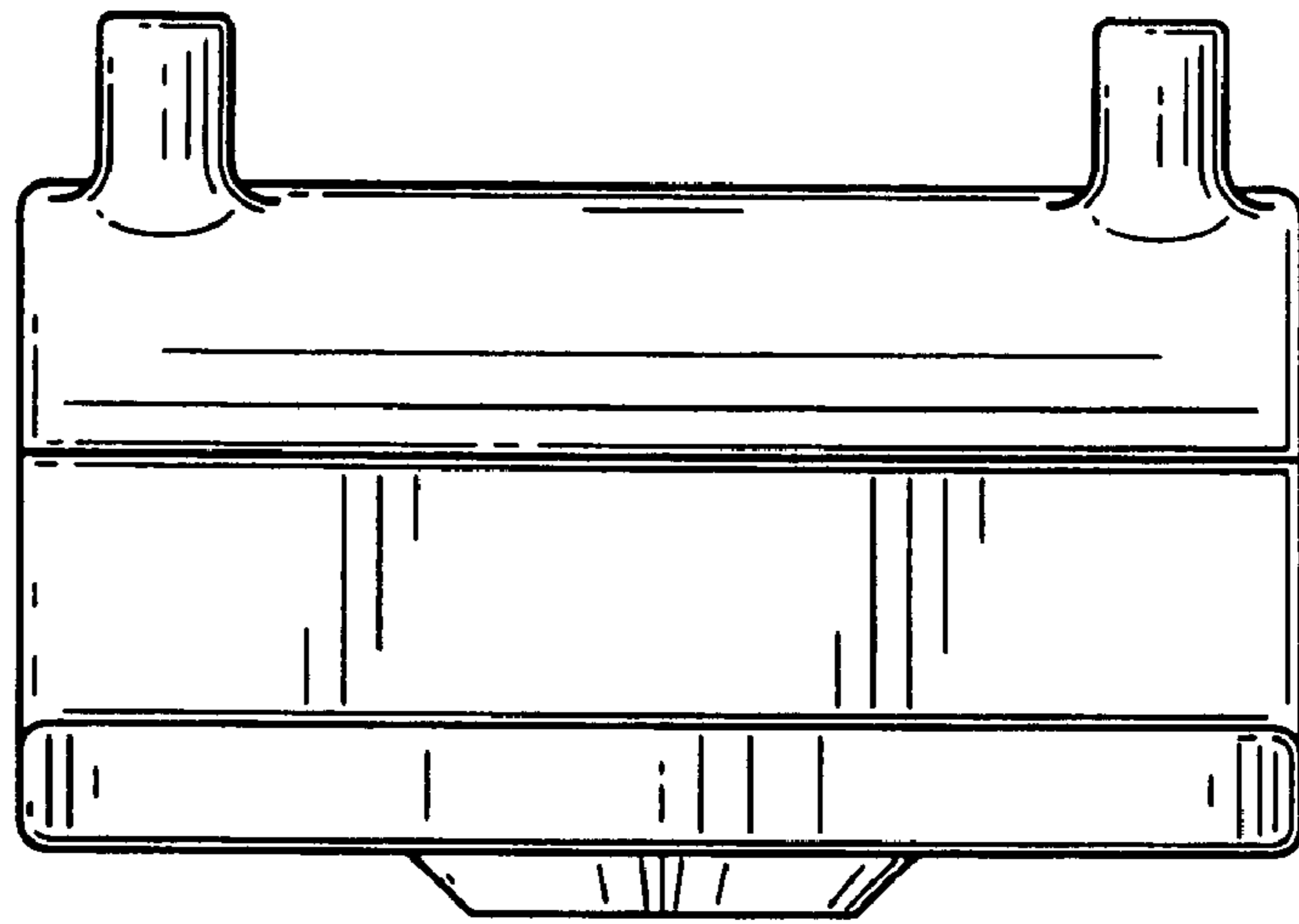


FIG. 5

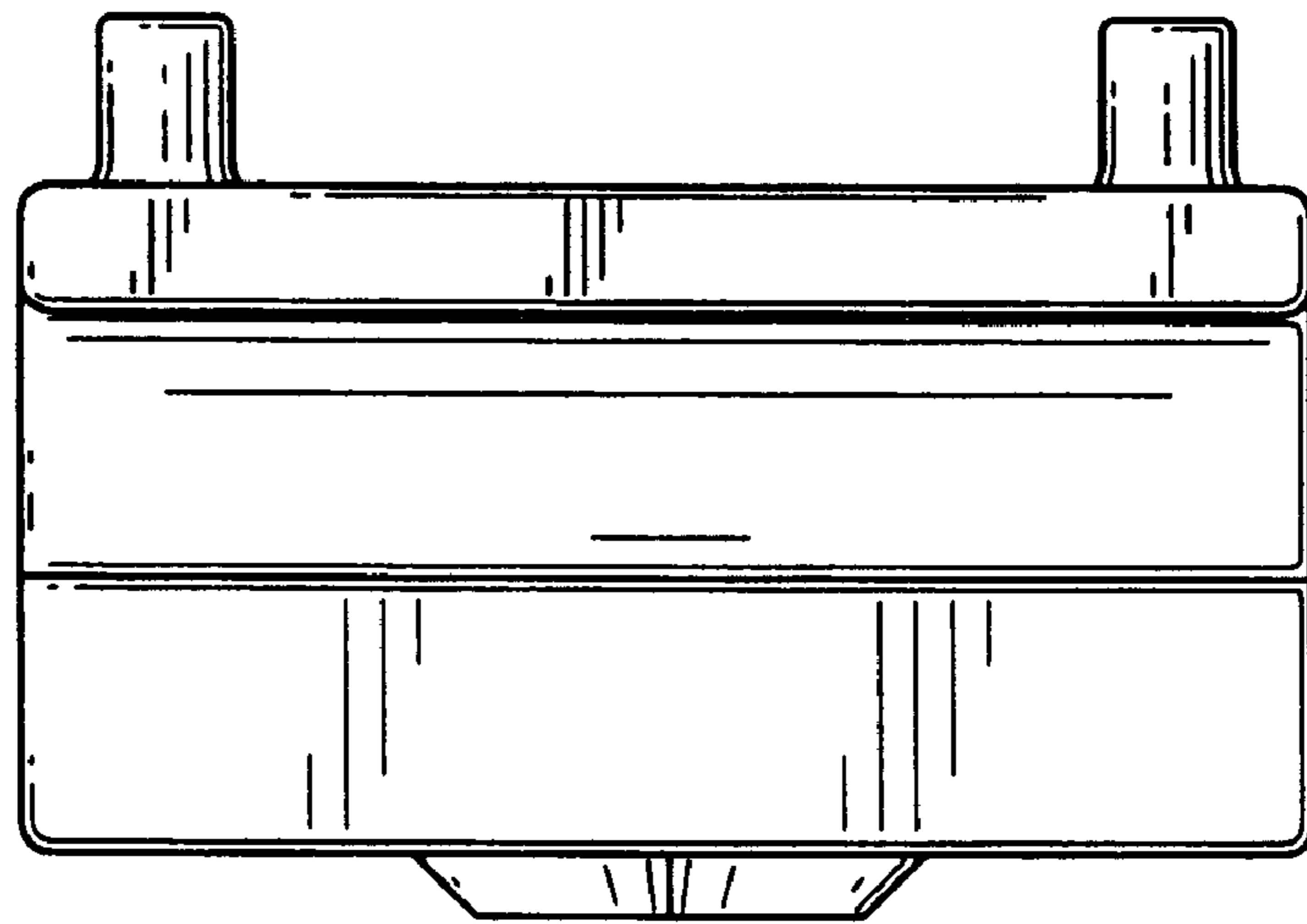


FIG. 6