



US00D433293S

# United States Patent [19]

Marcus

[11] **Patent Number: Des. 433,293**

[45] **Date of Patent: \*\* Nov. 7, 2000**

[54] **DUAL-MODE DRIVER FOR SOCKETS**

[76] Inventor: **Darrell J. Marcus**, 5512 Bright Star Trail, Arlington, Tex. 76017

[\*\*] Term: **14 Years**

[21] Appl. No.: **29/108,910**

[22] Filed: **Aug. 6, 1999**

[51] **LOC (7) Cl.** ..... **08-05**

[52] **U.S. Cl.** ..... **D8/25**

[58] **Field of Search** ..... D8/21-29, 107; 81/60-63, 63.1, 63.2, 177.1, 177.8, 177.9, 177.2, 177.5, 177.6, 177.7, 177.75, 177.85

[56] **References Cited**

**U.S. PATENT DOCUMENTS**

D. 299,612	1/1989	Bradley	.....	D8/25
4,825,733	5/1989	Chinchar	.....	81/177.2
5,797,300	8/1998	Fairbanks	.....	81/60

*Primary Examiner*—Richelle Shelton  
*Attorney, Agent, or Firm*—Charles W. McHugh

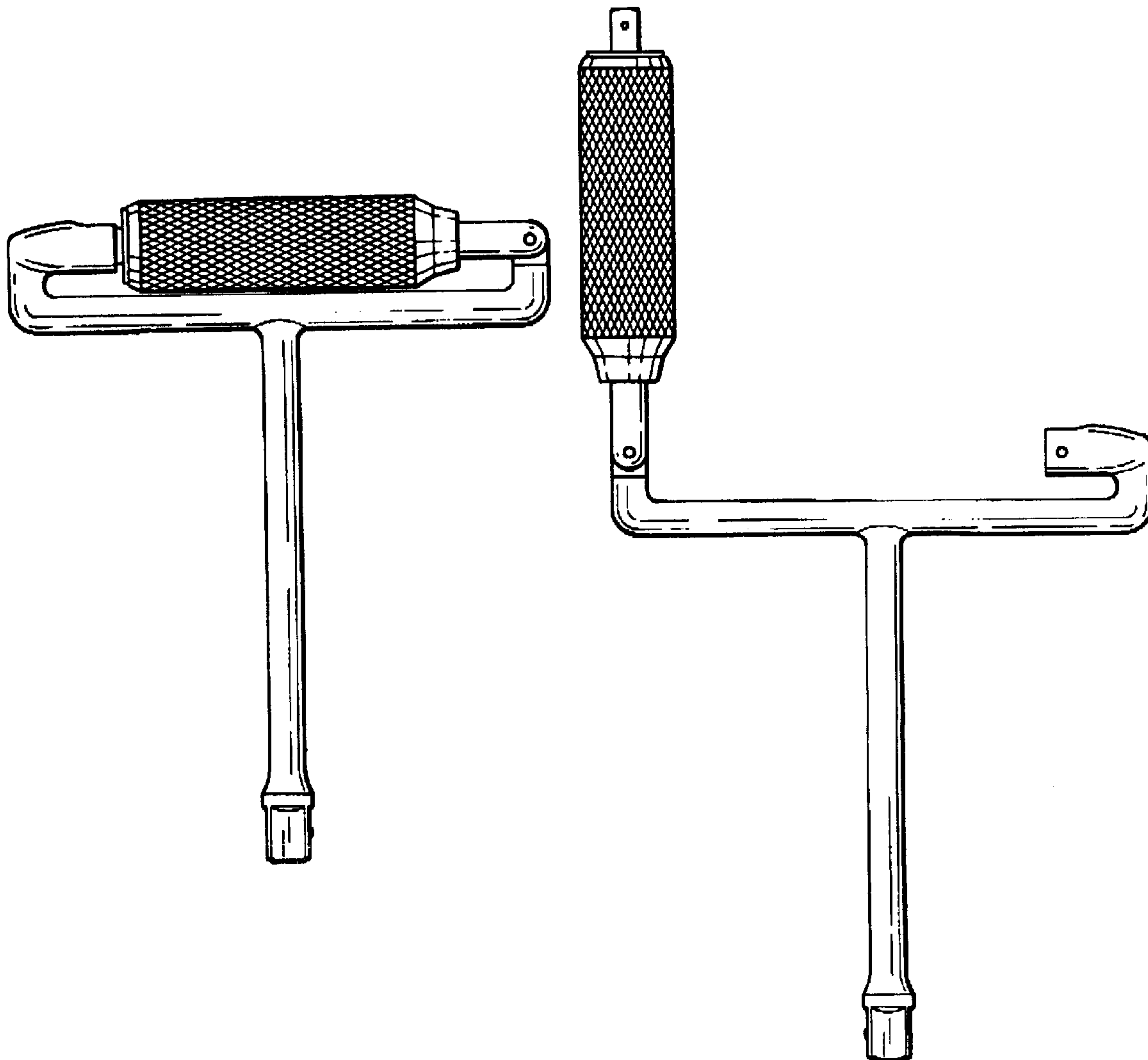
[57] **CLAIM**

The ornamental design for a dual-mode driver for sockets, as shown and described.

**DESCRIPTION**

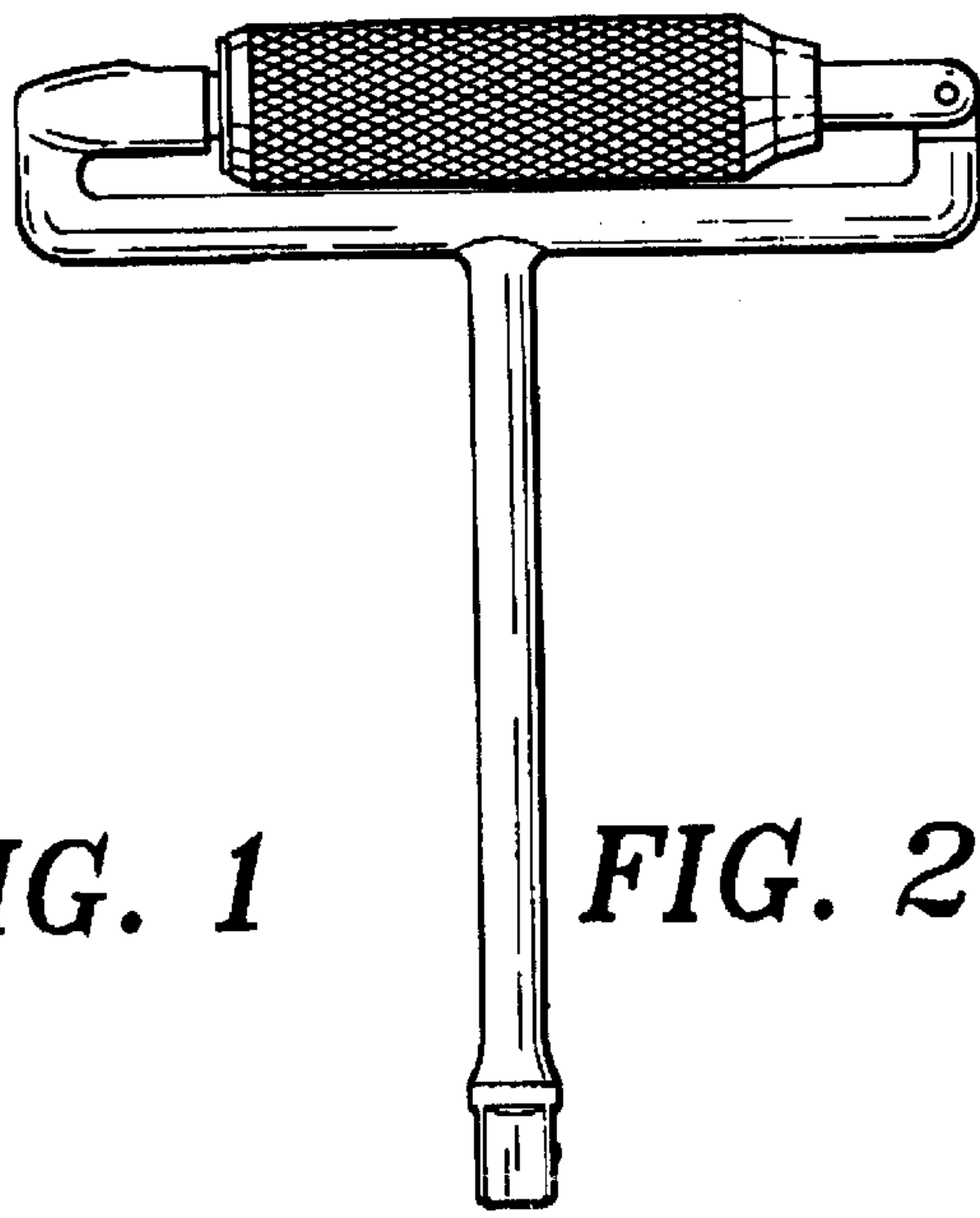
FIG. 1 is a left side elevational view of my new design for a dual-mode driver for sockets;  
FIG. 2 is a front elevational view thereof;  
FIG. 3 is a right side elevational view thereof;  
FIG. 4 is a top plan view thereof;  
FIG. 5 is a rear elevational view thereof;  
FIG. 6 is a bottom plan view thereof;  
FIG. 7 is a top plan view of the dual-mode driver for sockets in an alternate position; and,  
FIG. 8 is a front elevational view thereof.

**1 Claim, 1 Drawing Sheet**

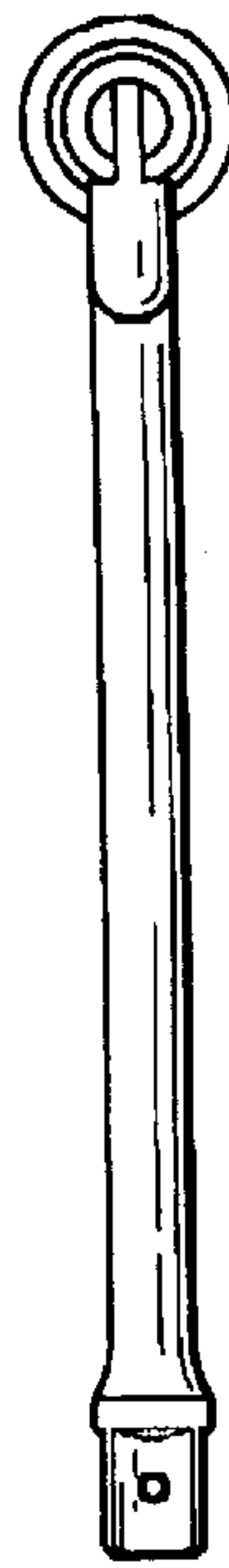




*FIG. 1*

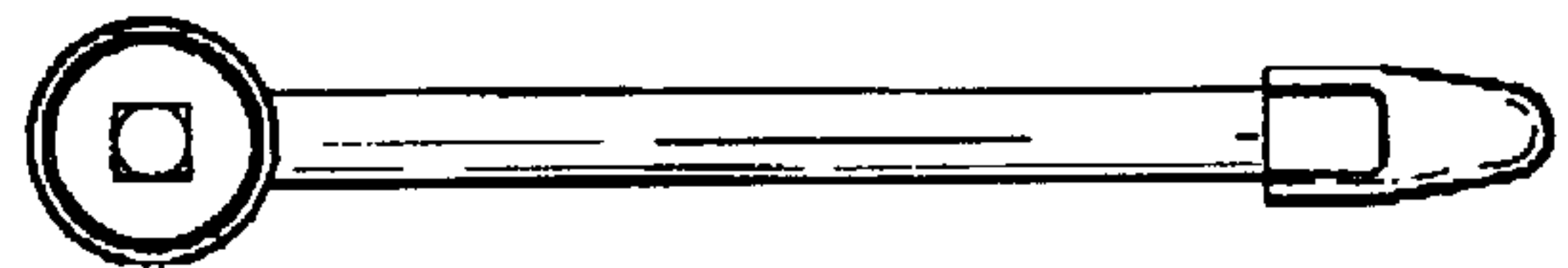
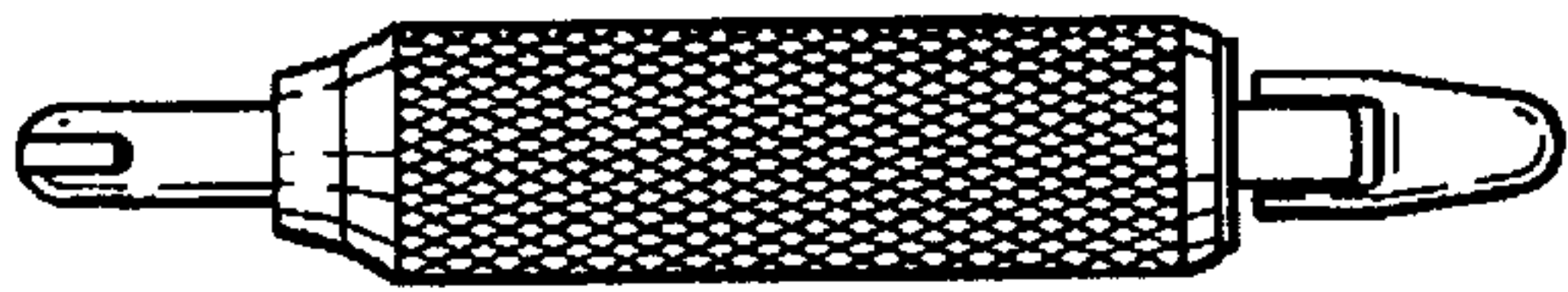


*FIG. 2*

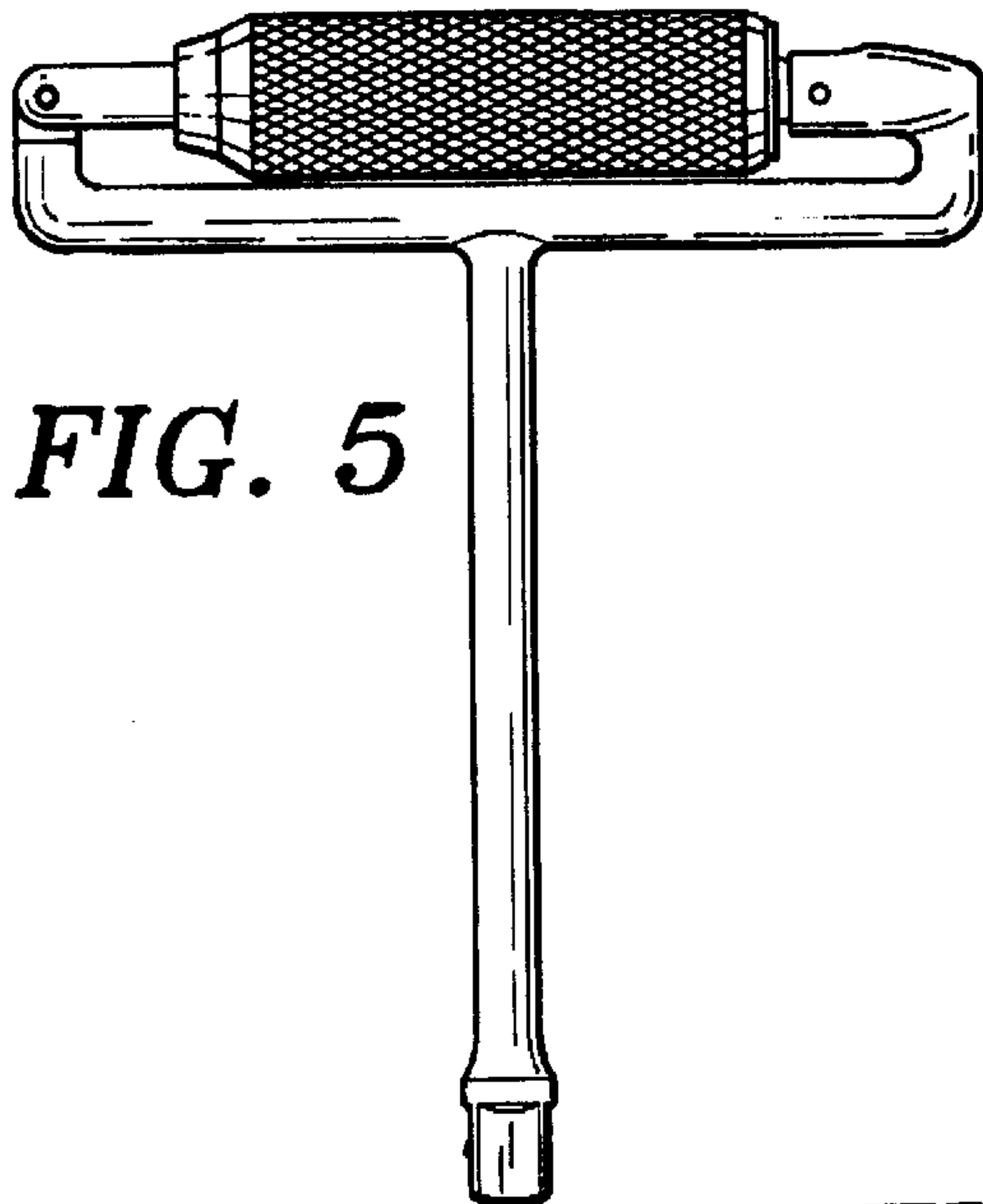


*FIG. 3*

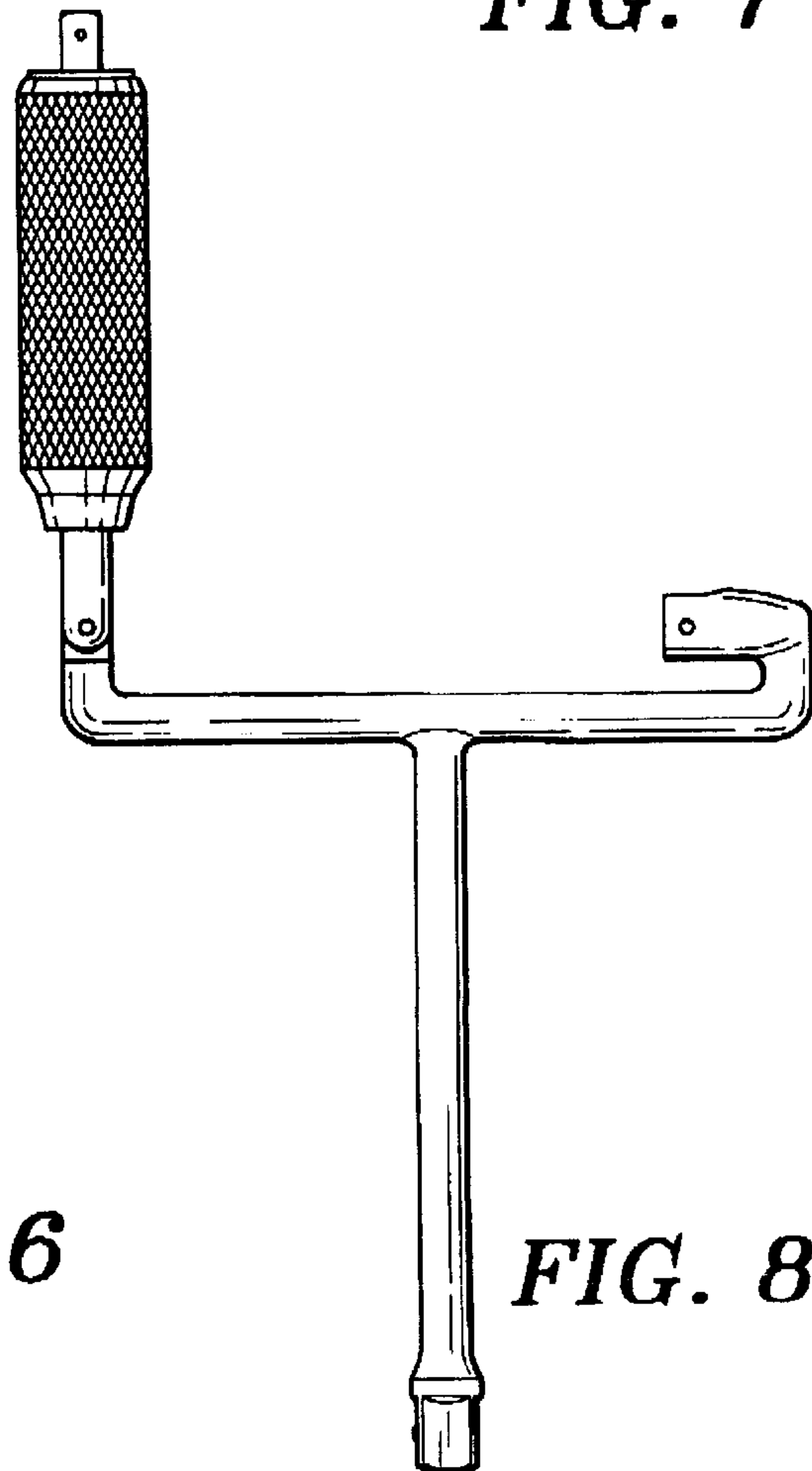
*FIG. 4*



*FIG. 7*



*FIG. 5*



*FIG. 8*

*FIG. 6*

