



US00D433286S

United States Patent [19]

Goodman et al.

[11] Patent Number: **Des. 433,286**

[45] Date of Patent: **** Nov. 7, 2000**

[54] **NAPKIN HOLDER**

2,901,119 8/1959 Almer 211/50

[75] Inventors: **Sheldon H. Goodman**, 30905 Stratford, Solon, Ohio 44139; **Brian Stelmarski**, Mayfield Heights, Ohio

Primary Examiner—Terry A. Wallace
Attorney, Agent, or Firm—Pearne & Gordon LLP

[73] Assignee: **Sheldon H. Goodman**, Solon, Ohio

[57] CLAIM

[**] Term: **14 Years**

The ornamental design for a napkin holder, as shown and described.

[21] Appl. No.: **29/115,157**

[22] Filed: **Dec. 8, 1999**

DESCRIPTION

[51] **LOC (7) Cl.** **07-06**

FIG. 1 is a side, top and front perspective view of a napkin holder showing our new design;

[52] **U.S. Cl.** **D7/631**

FIG. 2 is a front elevational view thereof;

[58] **Field of Search** D7/631, 632; D6/462; D19/90, 92; 206/449, 557, 572; 211/49.1, 50

FIG. 3 is a top plan view thereof; and,

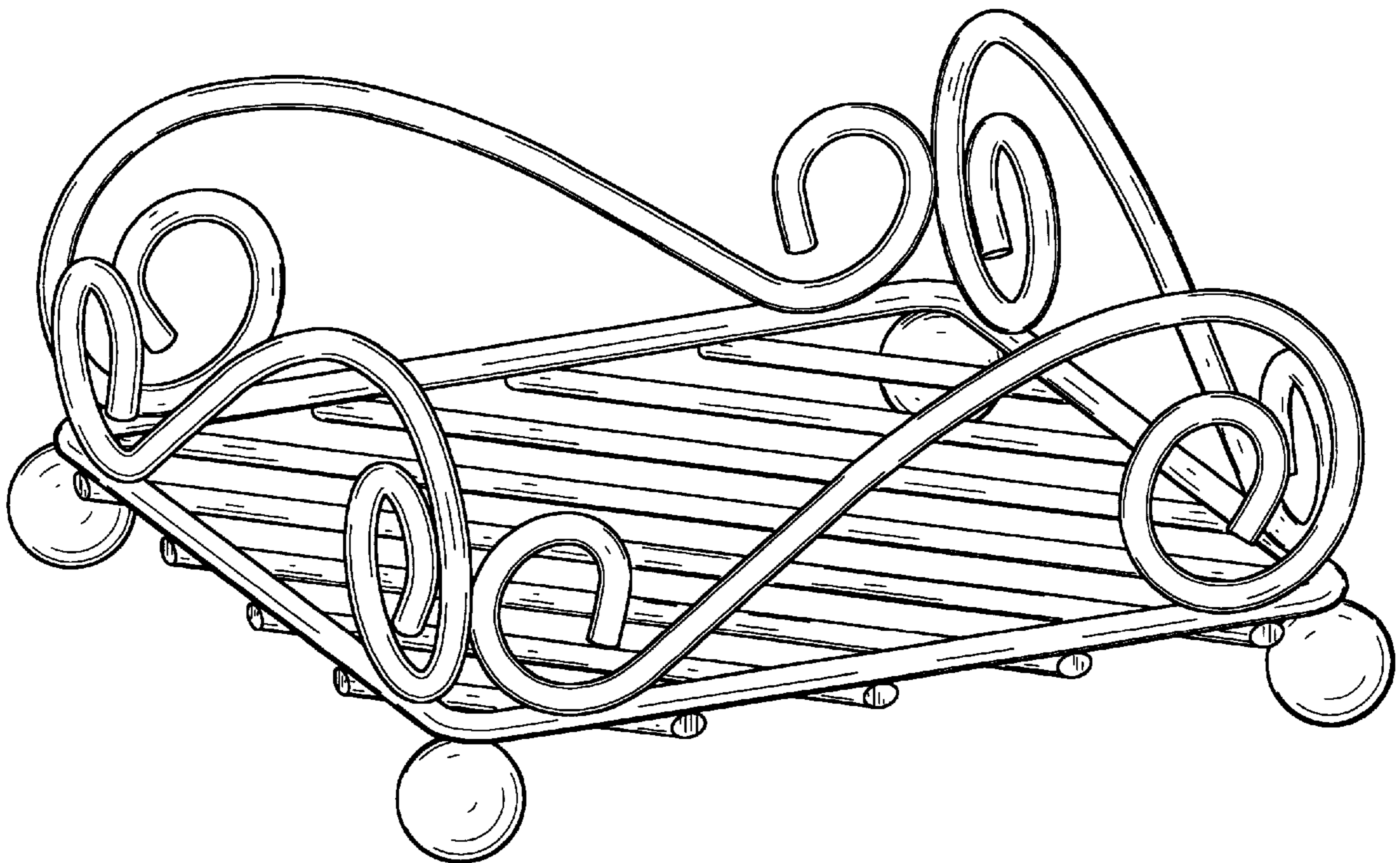
FIG. 4 is a bottom plan view thereof.

[56] References Cited

U.S. PATENT DOCUMENTS

D. 236,412 8/1975 Kuretz D7/631 X

1 Claim, 2 Drawing Sheets



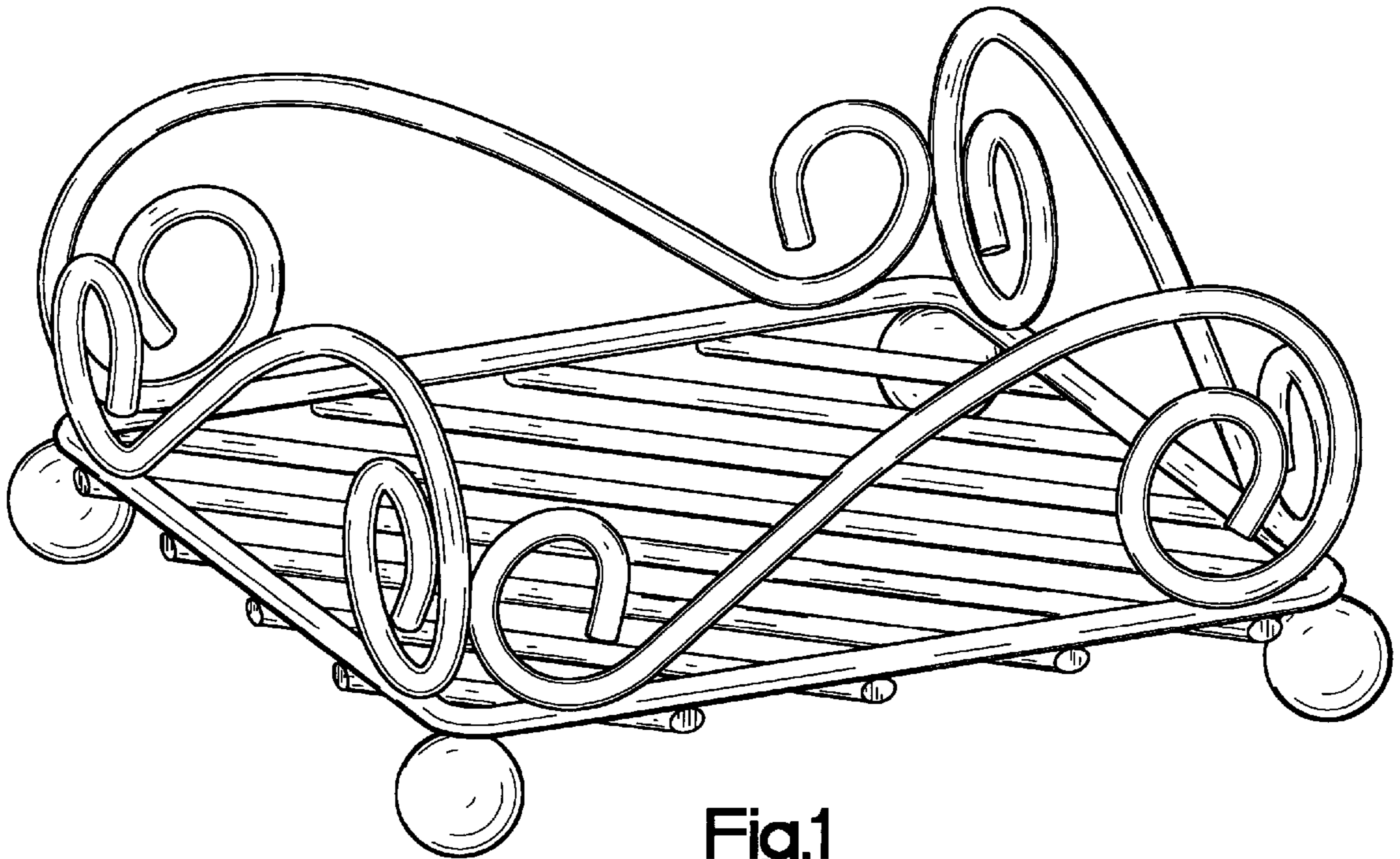


Fig.1

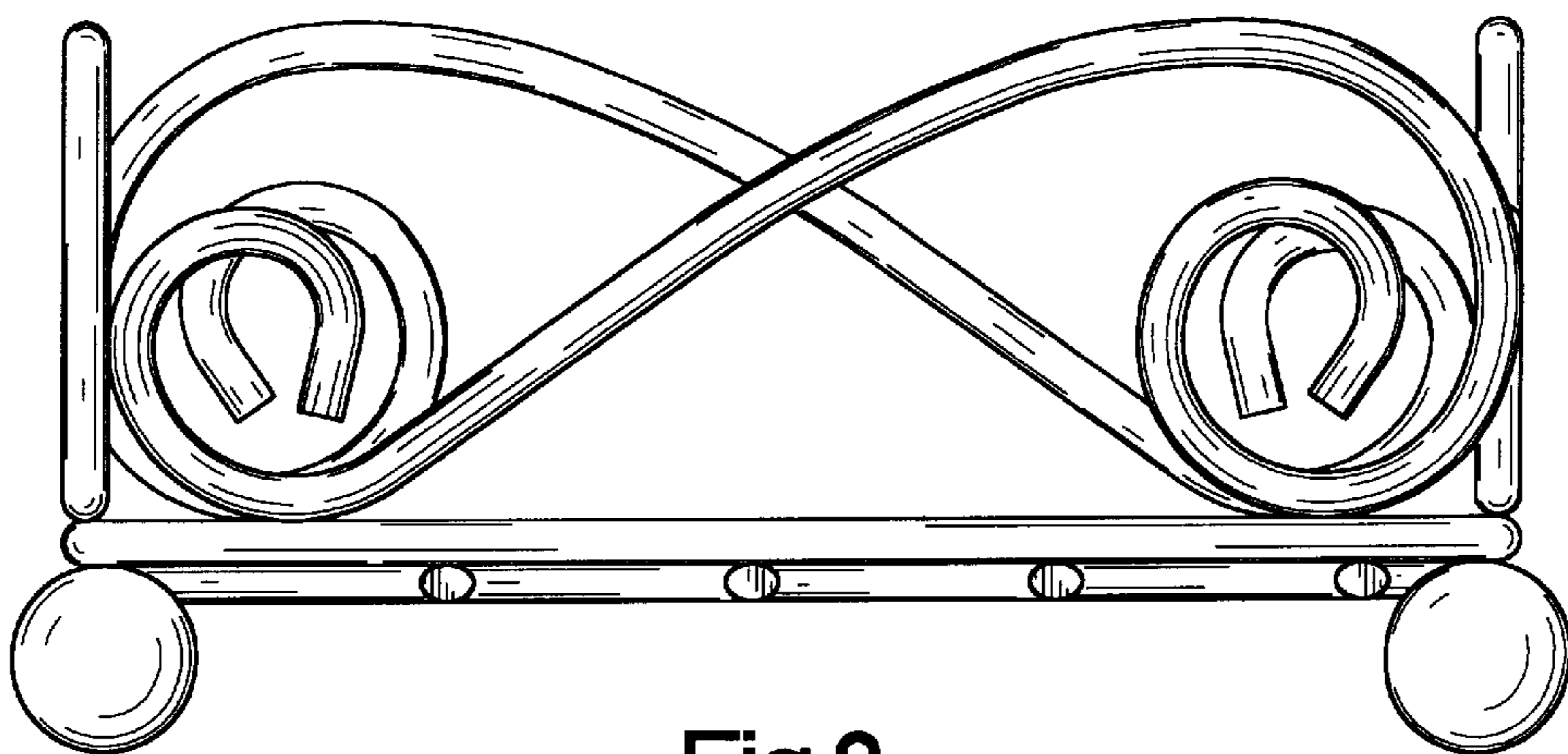


Fig.2

Fig.3

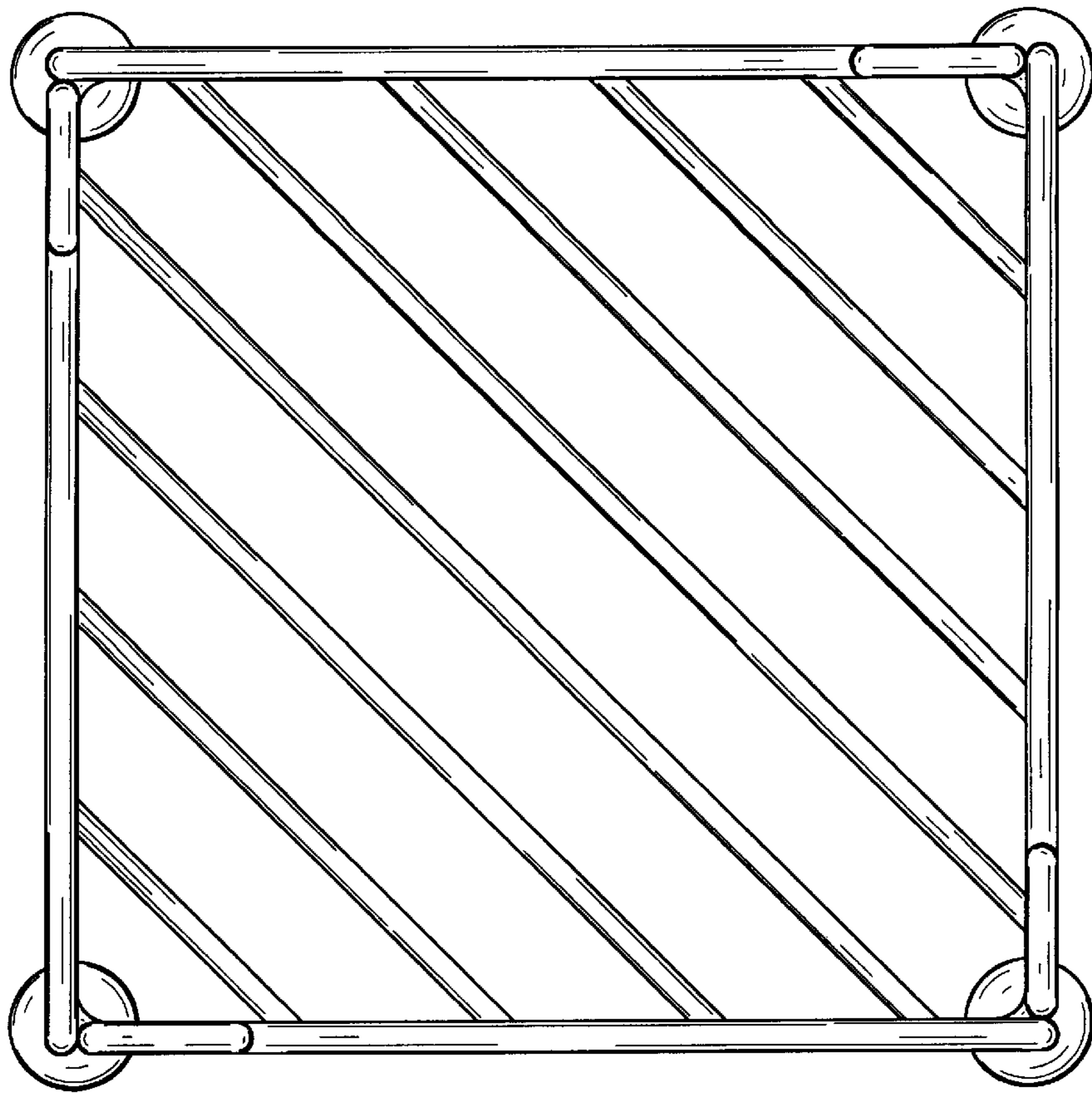


Fig.4

