



US00D433284S

# United States Patent [19]

Zeller et al.

[11] Patent Number: Des. 433,284

[45] Date of Patent: \*\* Nov. 7, 2000

[54] COMBINATION FOOD AND BEVERAGE MULTITOOl

3,679,167 7/1972 Jupiter ..... D7/672 X  
5,617,597 4/1997 Reitz ..... 7/110  
5,735,005 4/1998 Wang ..... 7/167 X

[75] Inventors: Nicole A. Zeller, Harrison; Stuart Harvey Lee, New York, both of N.Y.

Primary Examiner—Terry A. Wallace  
Attorney, Agent, or Firm—Donald S. Dowden; Cooper & Dunham LLP

[73] Assignee: Zelco Industries, Inc., Mount Vernon, N.Y.

[\*\*] Term: 14 Years

### [57] CLAIM

The ornamental design for a combination food and beverage multitool, as shown and described.

[21] Appl. No.: 29/108,289

### DESCRIPTION

[22] Filed: Jul. 23, 1999

[51] LOC (7) Cl. .... 07-99

[52] U.S. Cl. .... D7/601

[58] Field of Search ..... D7/601, 637-641;  
D8/105, 71; D3/201-203; 7/156, 110, 113,  
167, 170; 206/216, 223, 553

FIG. 1 is a top-front-left perspective view of a combination food and beverage multitool embodying the invention; FIG. 2 is a top-rear-left perspective view thereof; FIG. 3 is a front view thereof; FIG. 4 is a rear view thereof; FIG. 5 is a right view thereof; FIG. 6 is a left view thereof; FIG. 7 is a top view thereof; and, FIG. 8 is a bottom view thereof.

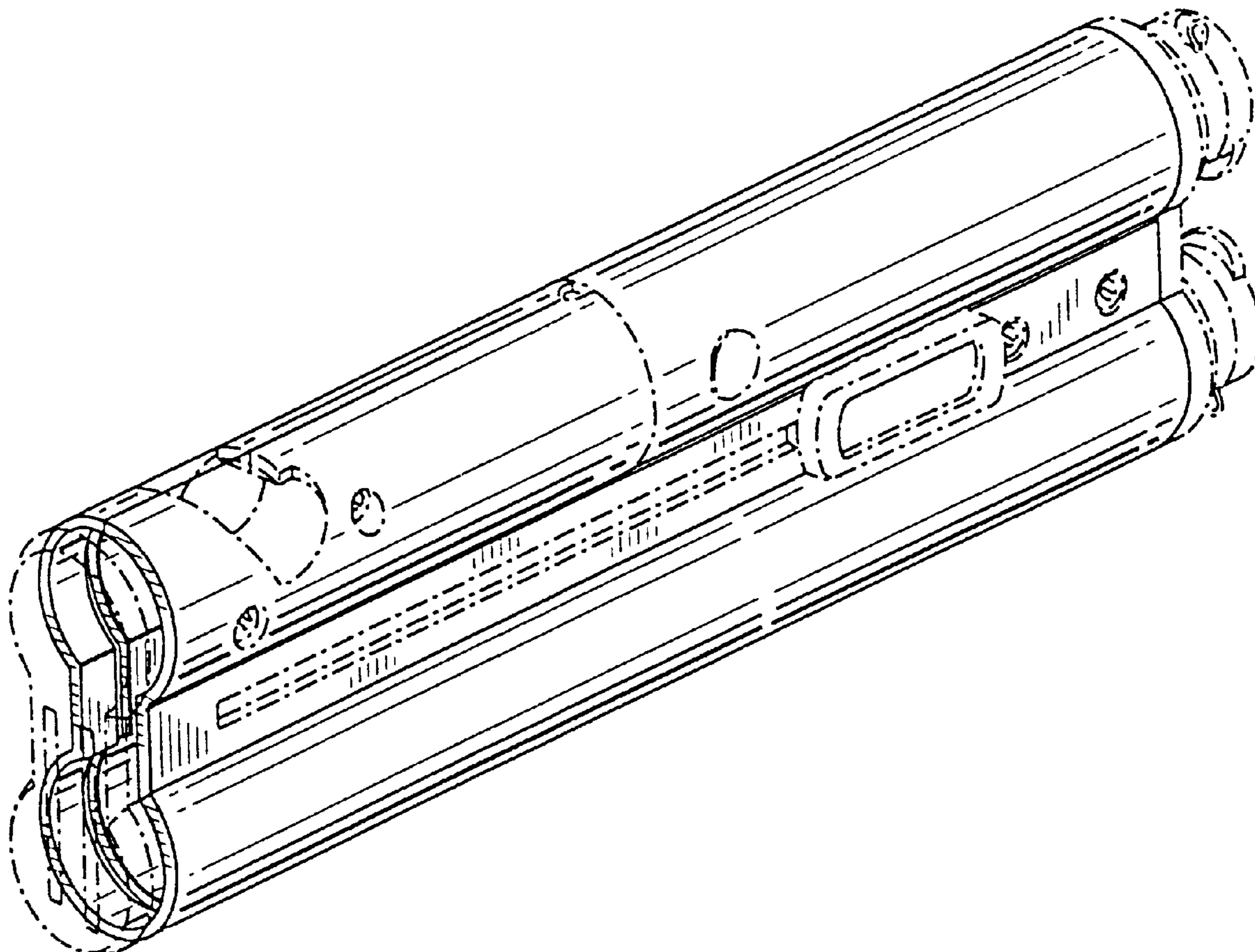
### [56] References Cited

#### U.S. PATENT DOCUMENTS

812,424 2/1906 Hellmuth ..... 7/167 X  
1,047,795 12/1912 Gross ..... 7/156 X  
1,689,376 10/1928 Zilliox ..... 7/167 X

The broken lines are for illustrative purposes only and form no part of the claimed design.

1 Claim, 3 Drawing Sheets



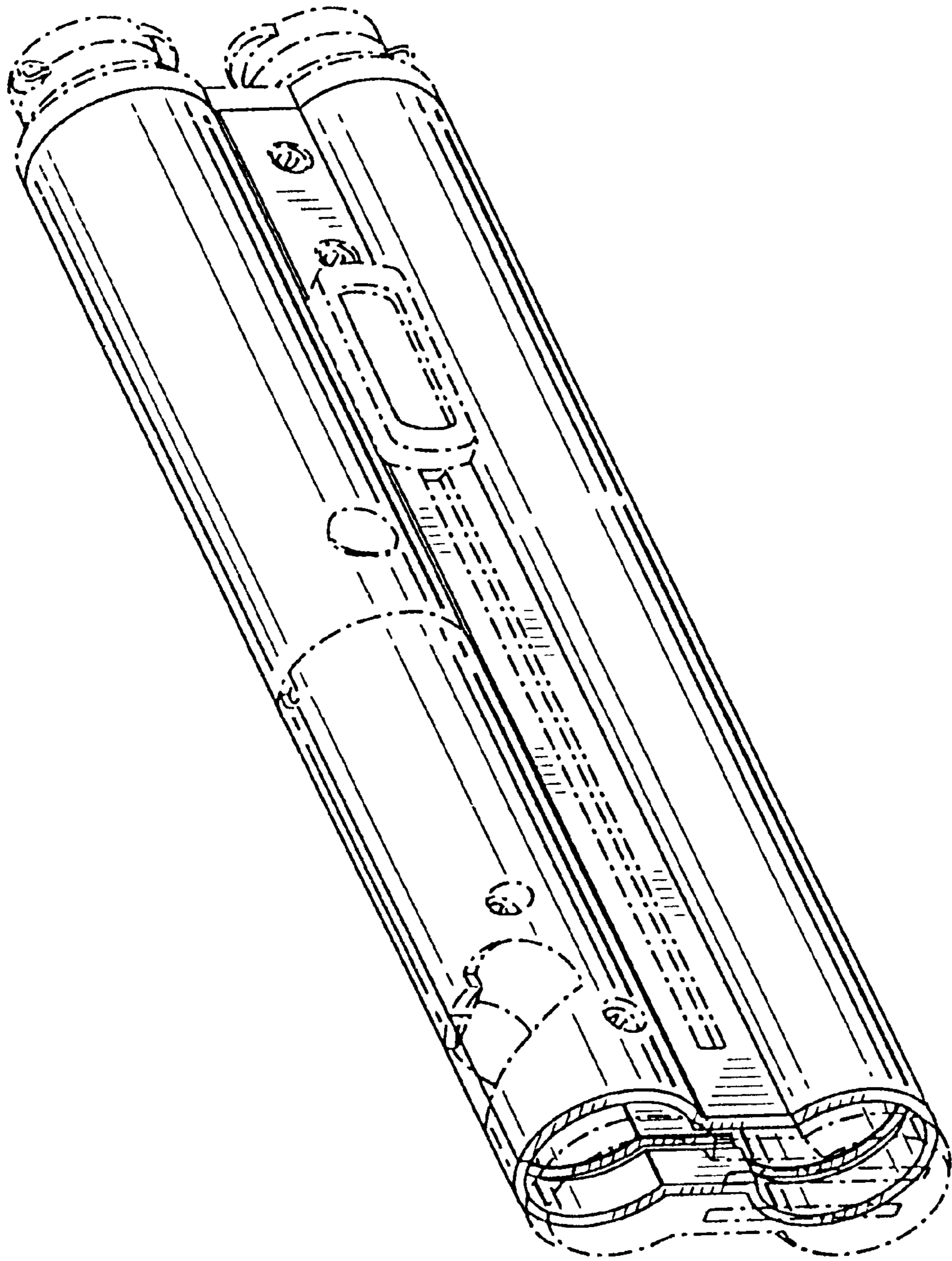


FIG. 1

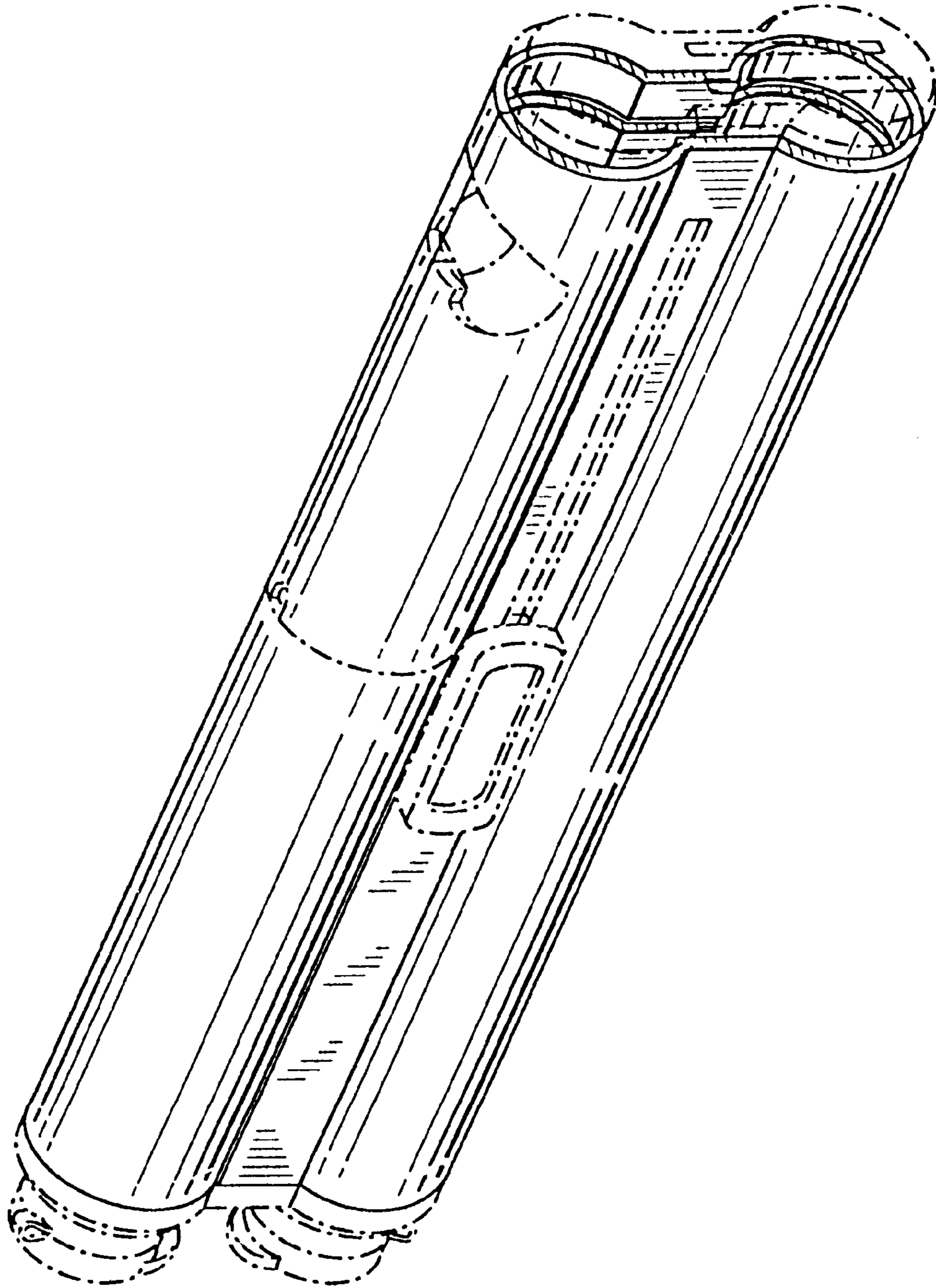


FIG. 2

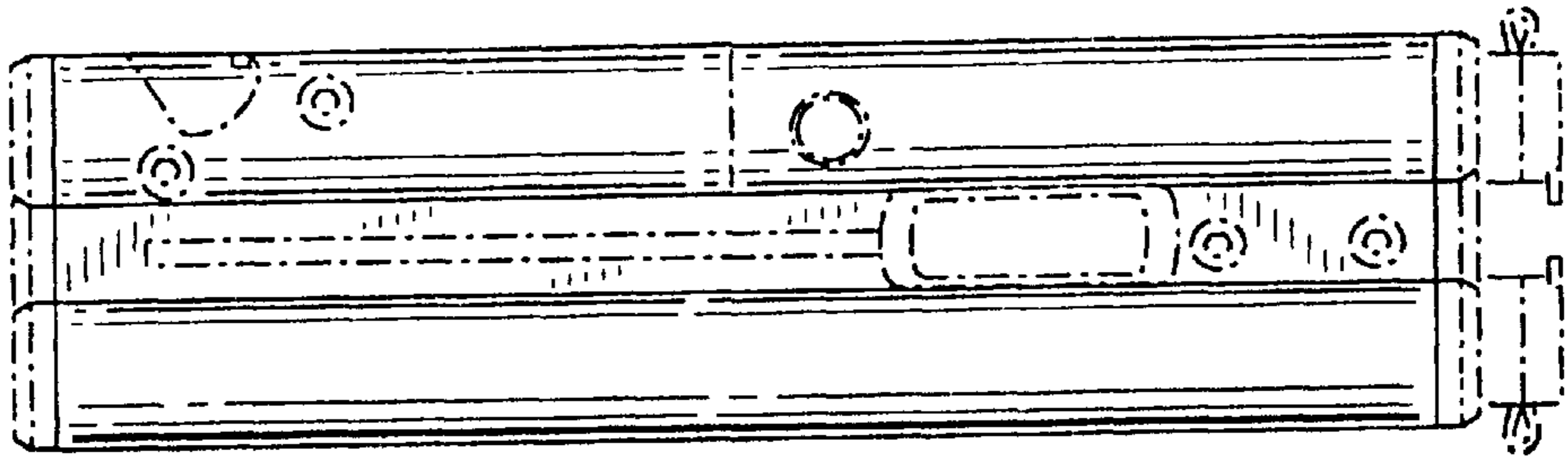


FIG. 3

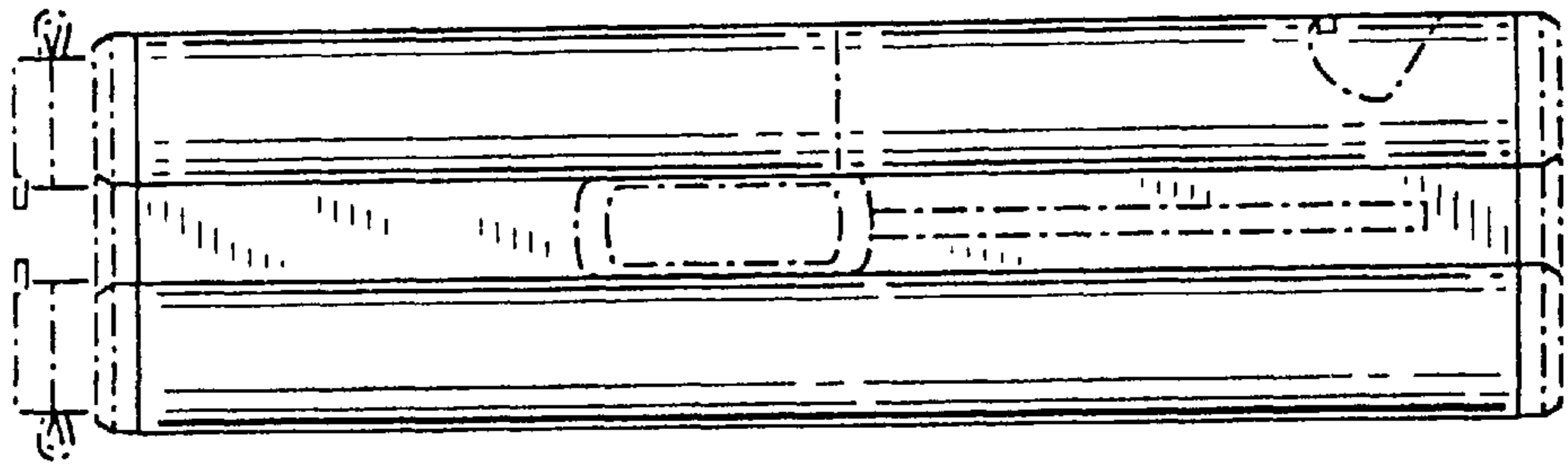


FIG. 4

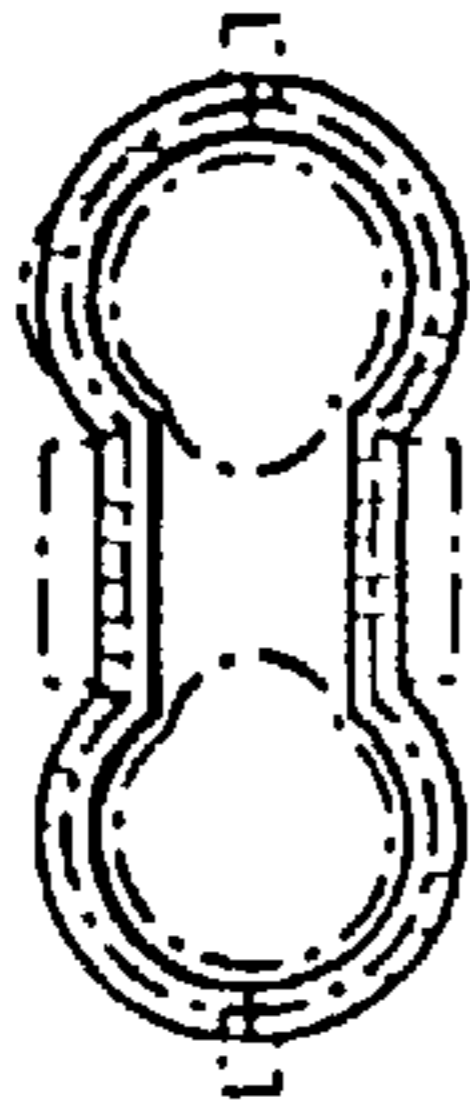


FIG. 5

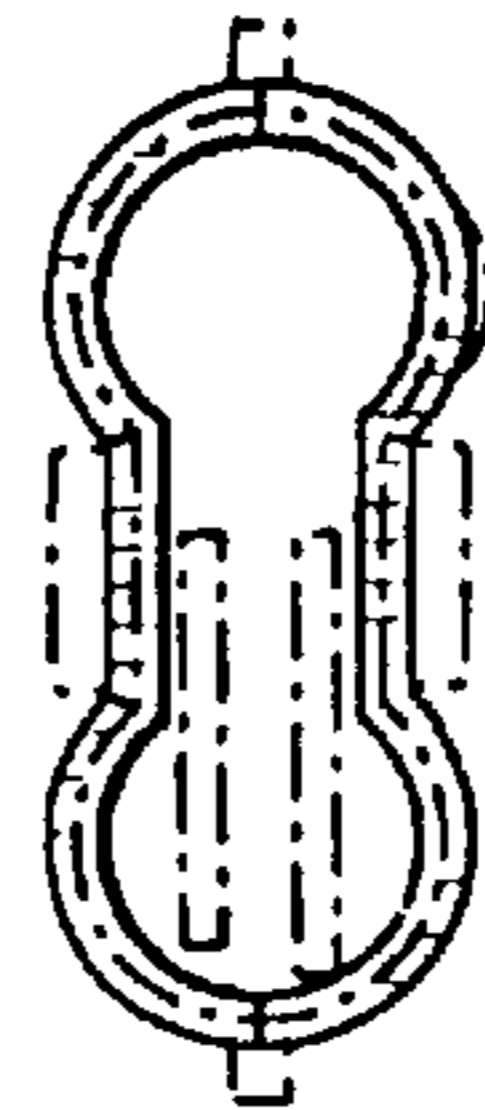


FIG. 6

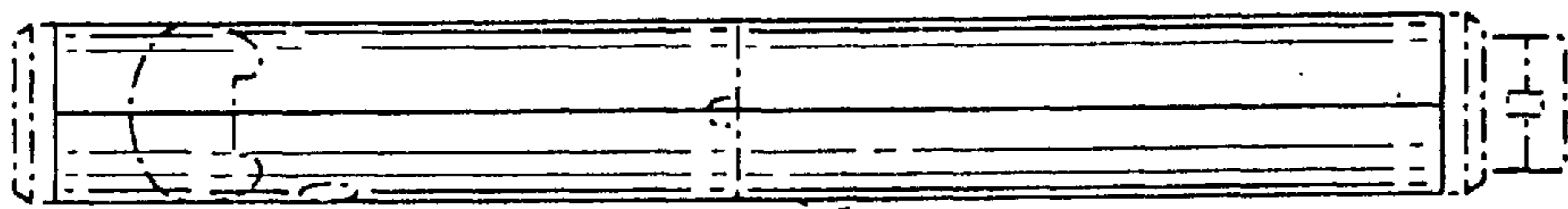


FIG. 7

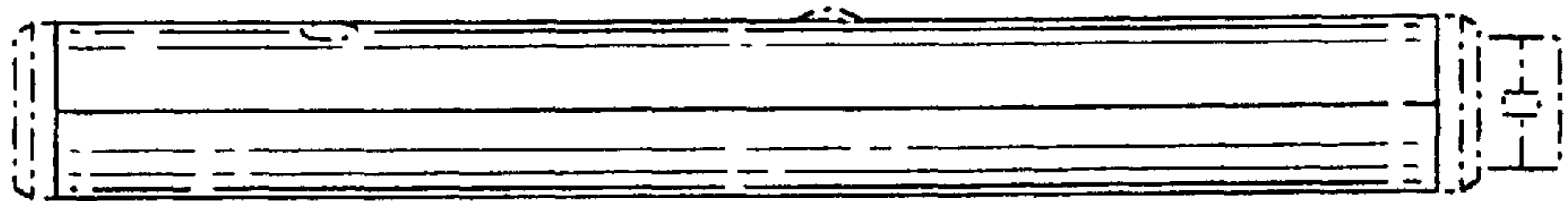


FIG. 8