



US00D433282S

United States Patent [19]

Bohannon, Jr. et al.

[11] Patent Number: Des. 433,282

[45] Date of Patent: ** Nov. 7, 2000

[54] BLENDER BLADE

[75] Inventors: **John R. Bohannon, Jr.**, Richmond, Va.; **Brian D. Klecker**, Charleston, S.C.; **Troy V. Robinson**, Richmond; **Brian W. Williamson**, Midlothian, both of Va.

[73] Assignee: **Hamilton Beach/Proctor-Silex, Inc.**, Glen Allen, Va.

[**] Term: **14 Years**

[21] Appl. No.: **29/106,217**

[22] Filed: **Jun. 9, 1999**

[51] LOC (7) Cl. **31-00**

[52] U.S. Cl. **D7/412**

[58] Field of Search D7/376, 378, 384, D7/412; D8/1; 241/277, 282.1, 291, 292.1; 366/205, 343, 241, 279, 342

[56] References Cited

U.S. PATENT DOCUMENTS

1,827,608	10/1931	Pickard	366/197
2,585,255	2/1952	Kochner et al.	241/282.2
2,740,029	3/1956	Kueser et al.	338/126
2,897,862	8/1959	Malz et al.	241/199.12
3,036,614	5/1962	Knapp	241/292.1
3,333,831	8/1967	Chapman	366/129
3,368,800	2/1968	Barnard, Jr.	241/282.2
4,480,926	11/1984	Lattery, Jr. et al.	366/251

5,073,033	12/1991	Klepeis	366/343
5,487,511	1/1996	Sansone et al.	241/282.1
5,647,546	7/1997	Sinovas et al.	241/292.1
5,655,834	8/1997	Dickson	366/205

FOREIGN PATENT DOCUMENTS

194646 1/1958 Austria .

OTHER PUBLICATIONS

See Information Disclosure Statement regarding offer for sale less than one year prior to filing date of present application.

Primary Examiner—Caron D. Veynar
Attorney, Agent, or Firm—Roger S. Dybvig

[57] CLAIM

The ornamental design for blender blade, as shown and described.

DESCRIPTION

FIG. 1 is a perspective view as seen from the top, front, and left side of a blender blade showing our new design; FIG. 2 is a top plan view thereof; FIG. 3 is a bottom plan view thereof; FIG. 4 is a front elevational view thereof, the rear elevational view being a mirror image of the front elevational view; and, FIG. 5 is a right side elevational view thereof, the left side elevational view being a mirror image of the right side elevational view.

1 Claim, 1 Drawing Sheet

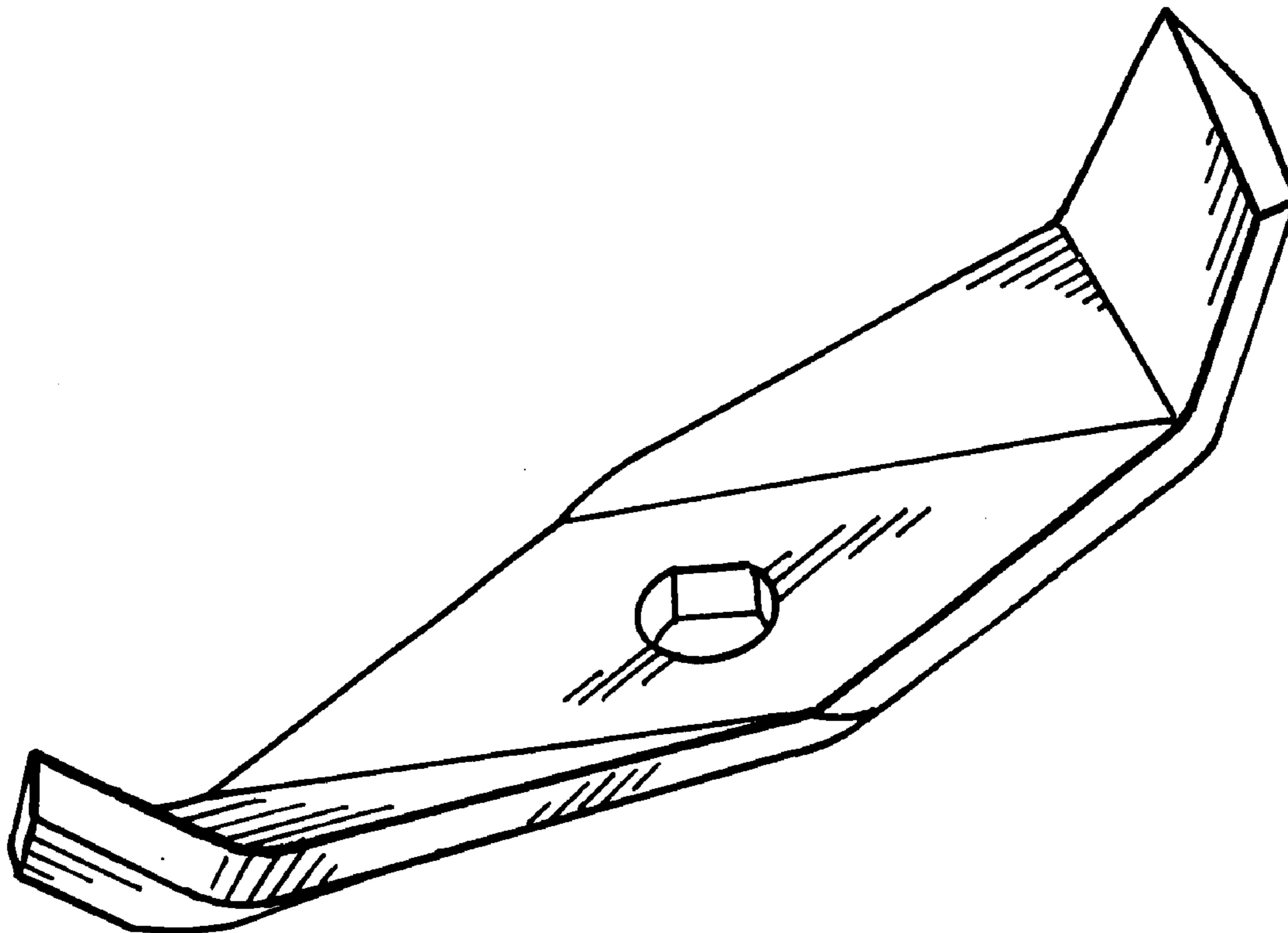


FIG-1

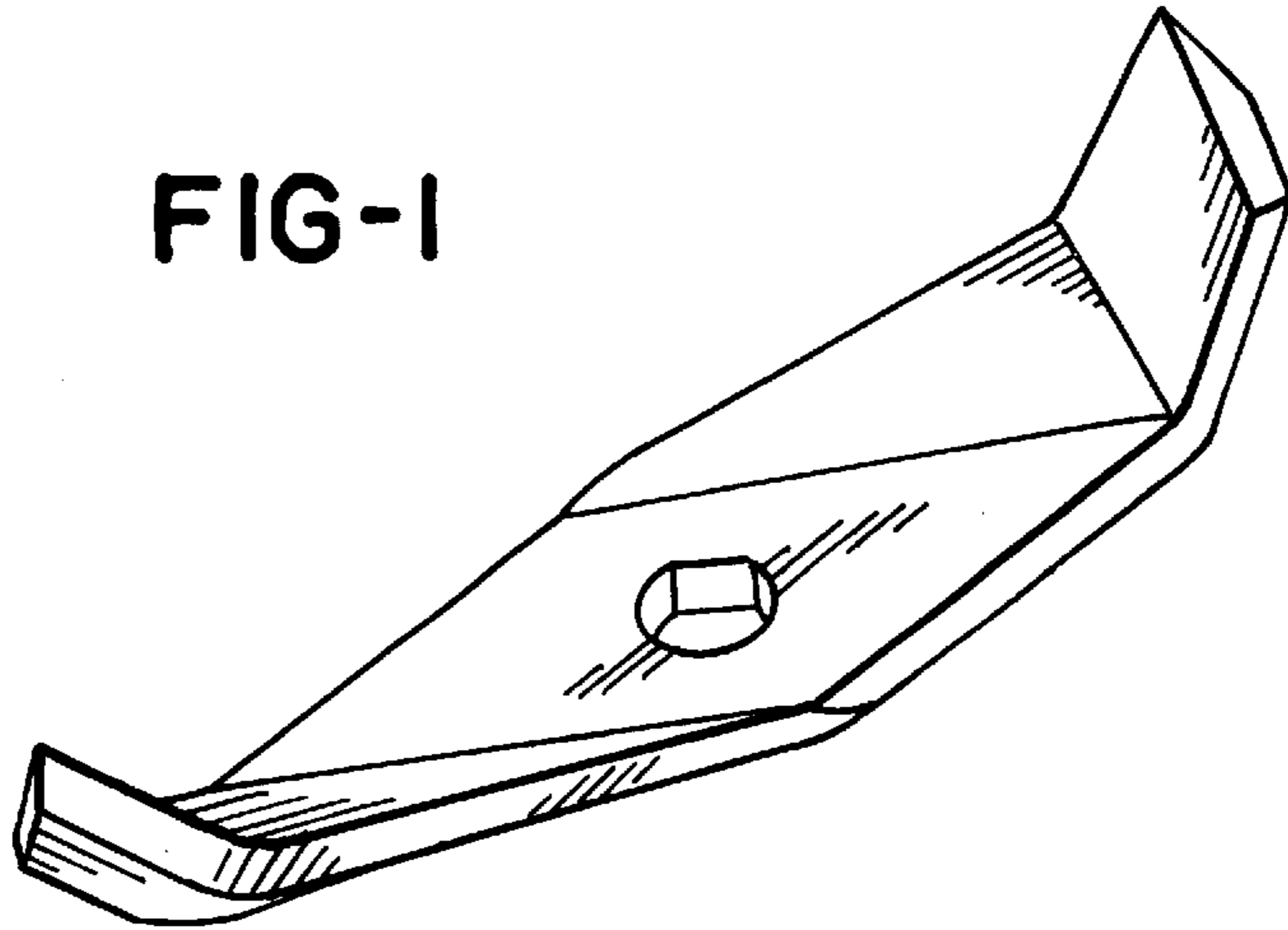


FIG-2

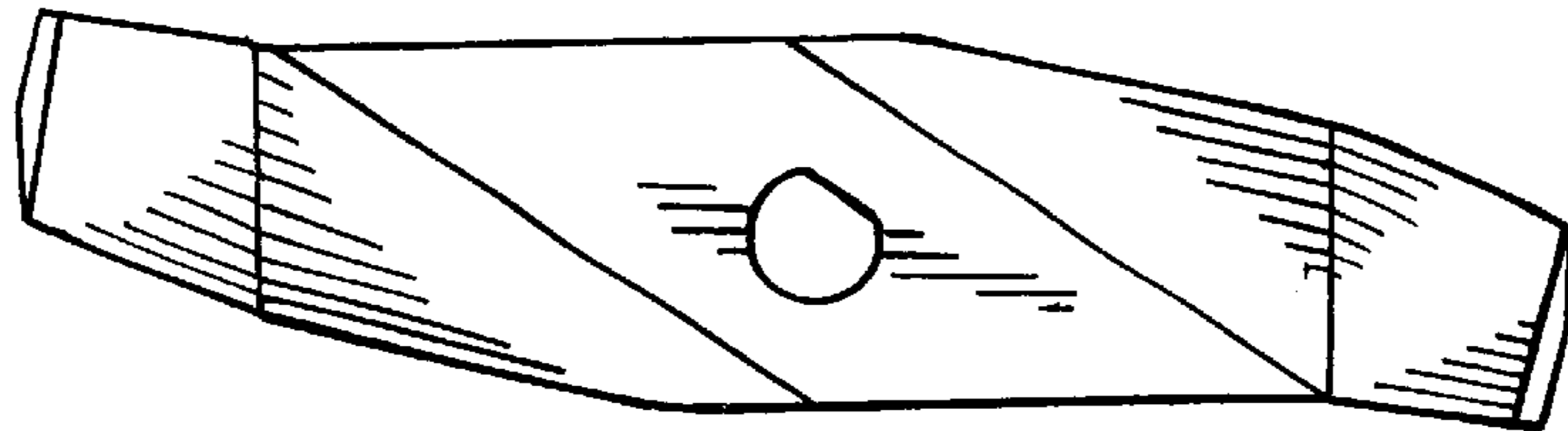


FIG-3

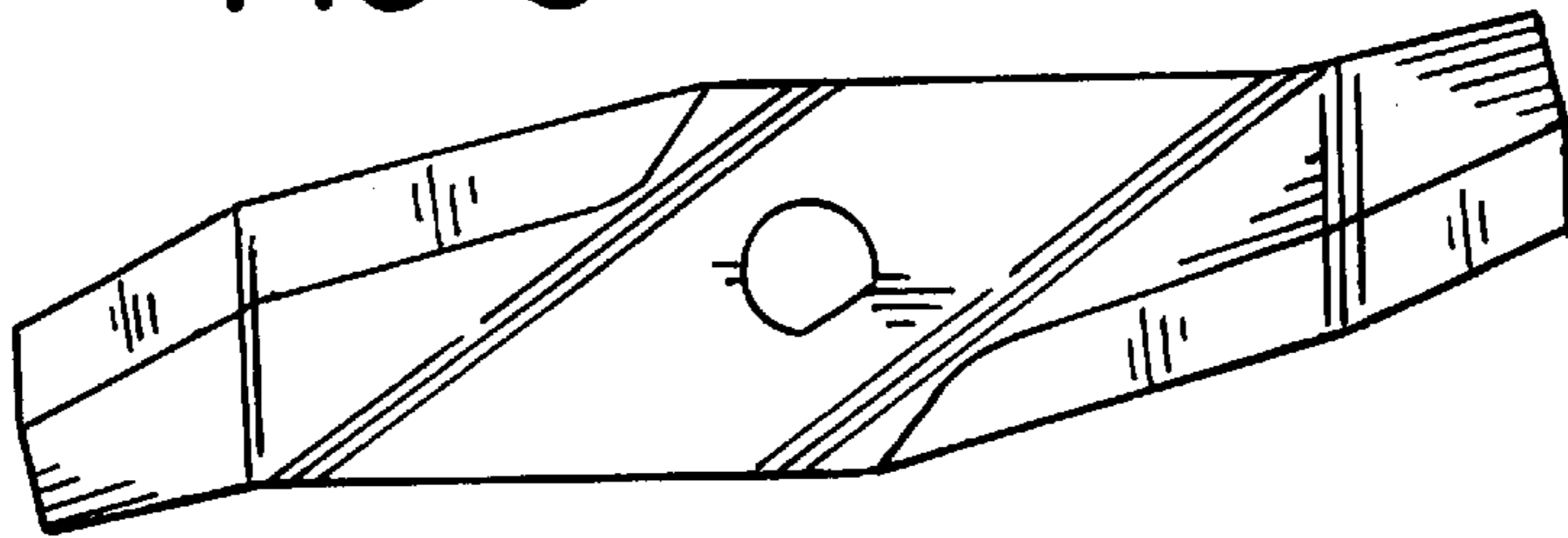


FIG-4

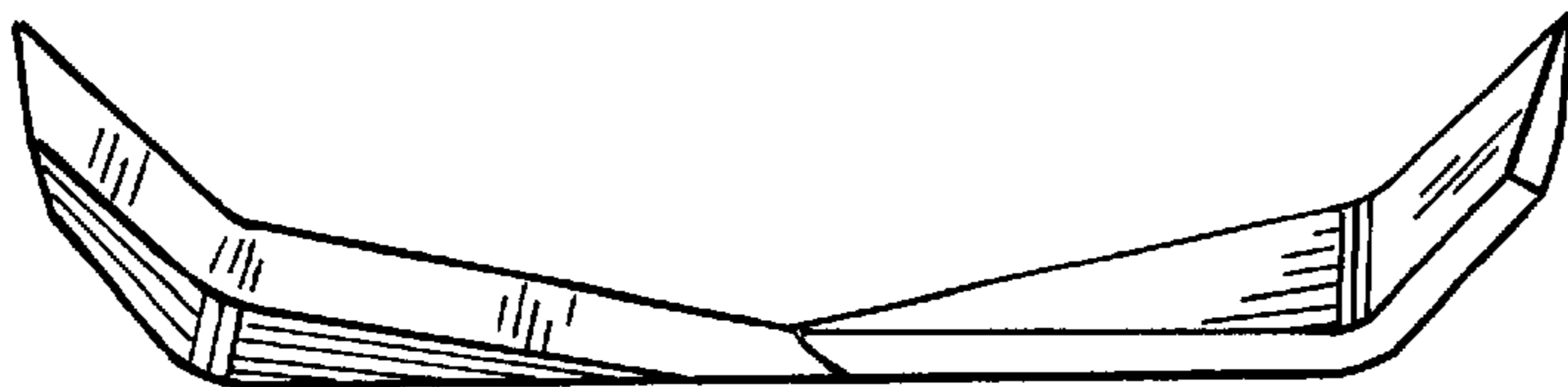


FIG-5

