



US00D433280S

United States Patent [19] Carter

[11] Patent Number: **Des. 433,280**

[45] Date of Patent: **** *Nov. 7, 2000**

[54] **HEATING UNIT FOR A HOB**

[75] Inventor: **Maurice Carter**, Cambs, United Kingdom

[73] Assignee: **GDA Applied Energy Limited**, United Kingdom

[*] Notice: This patent is subject to a terminal disclaimer.

[**] Term: **14 Years**

[21] Appl. No.: **29/097,000**

[22] Filed: **Nov. 25, 1998**

[30] **Foreign Application Priority Data**

May 27, 1998 [GB] United Kingdom 2074944

[51] **LOC (7) Cl.** **07-02**

[52] **U.S. Cl.** **D7/407**

[58] **Field of Search** D7/339-349, 402-409; D23/415, 417-419; 219/458, 460, 464, 538, 552; 126/39 J, 39 E, 40, 39 R, 211, 214 R, 214 A, 214 C; 431/247

[56] **References Cited**

U.S. PATENT DOCUMENTS

D. 323,385	1/1992	Higgins et al.	D23/419
D. 326,906	6/1992	McWilliams et al.	D23/419
D. 369,516	5/1996	Higgins	D7/407
D. 372,638	8/1996	McWilliams	D7/407
3,833,793	9/1974	McWilliams et al.	219/464

Primary Examiner—Ruth McInroy
Attorney, Agent, or Firm—Venable; Robert J. Frank; Robert Kinberg

[57] **CLAIM**

I claim the design for a heating unit for a hob, as shown.

DESCRIPTION

FIG. 1 is a top plan view of a heating unit for a hob showing my new design;

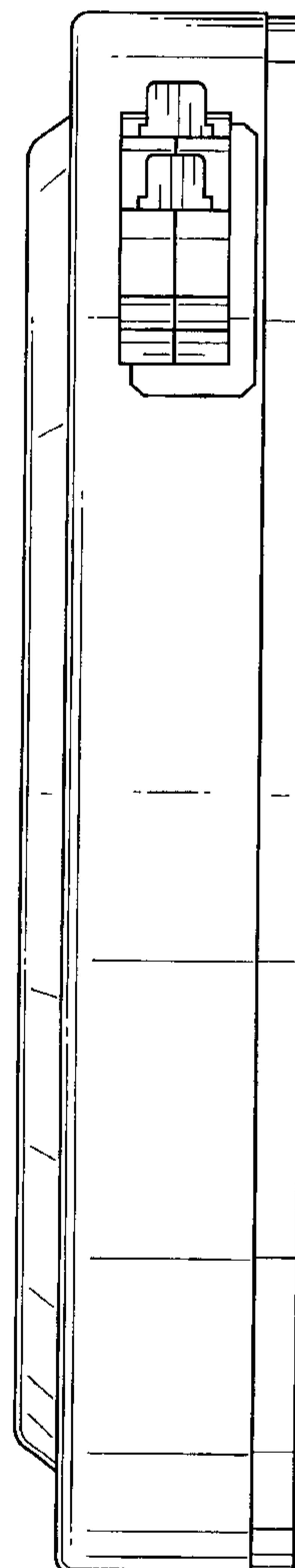
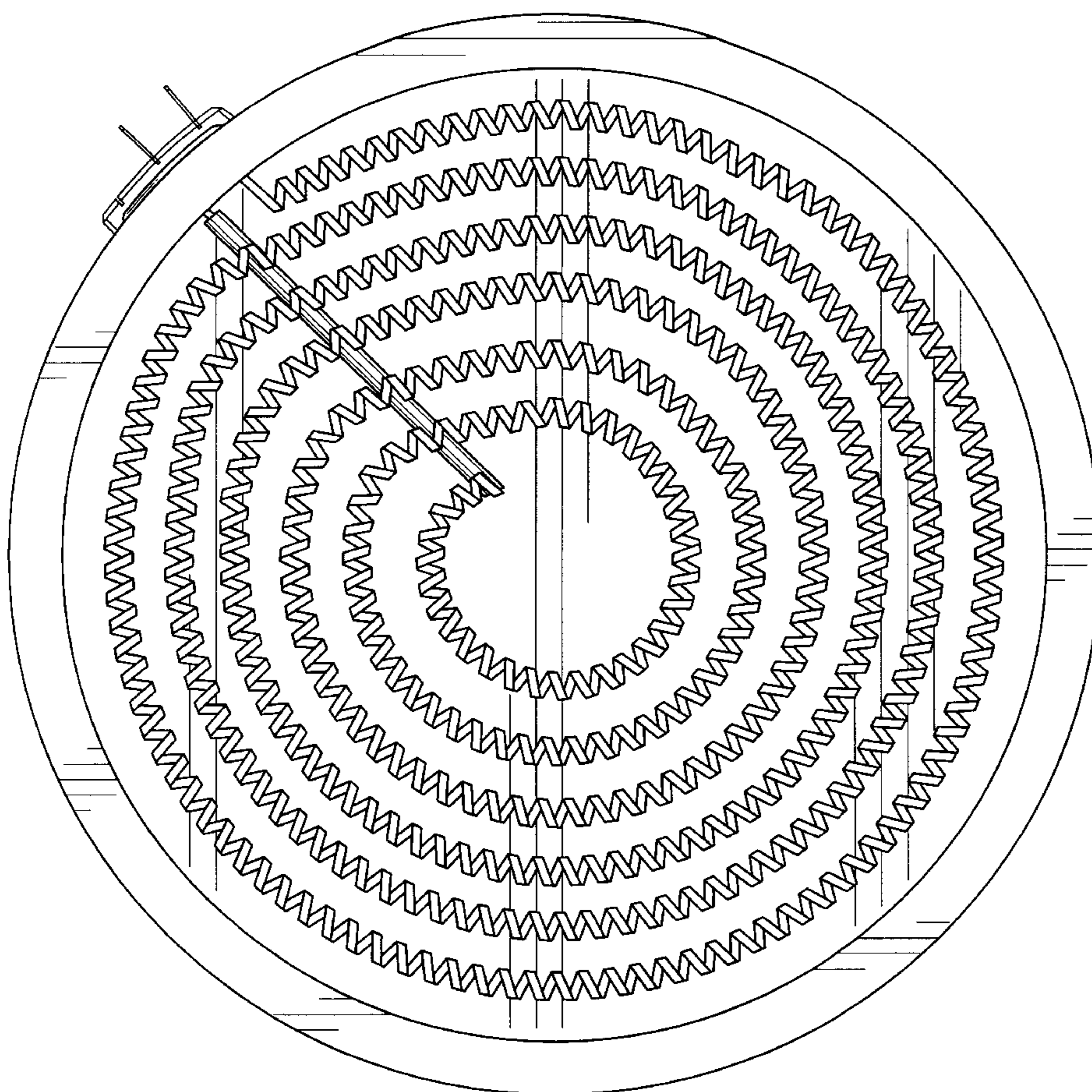
FIG. 2 is a bottom plan view thereof;

FIG. 3 is a left side elevation view thereof; and,

FIG. 4 is a right side elevation view thereof.

The thickness of the coil not shown in the drawings or described in the specification forms no part of the claimed design.

1 Claim, 3 Drawing Sheets



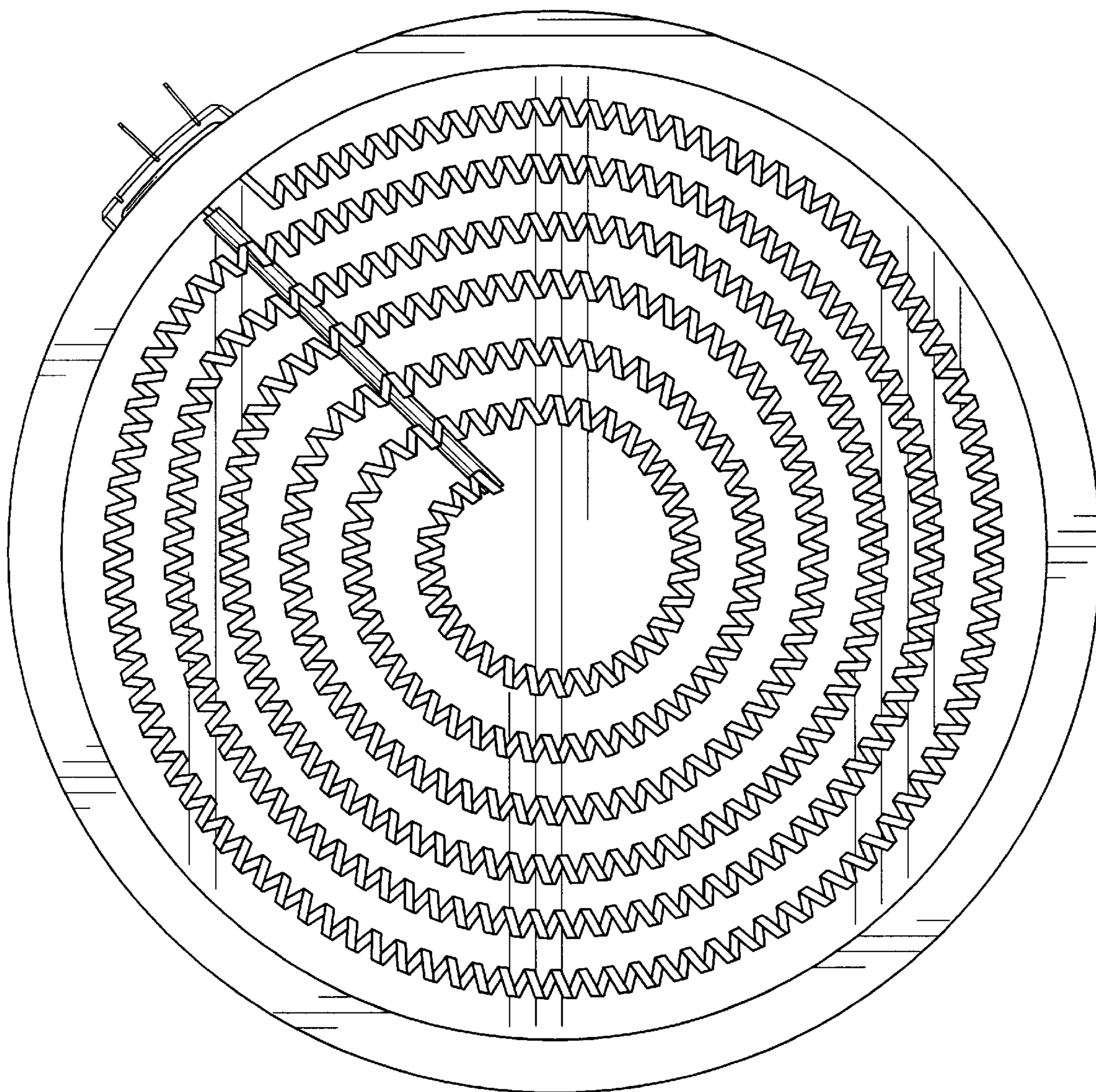


FIG. 1

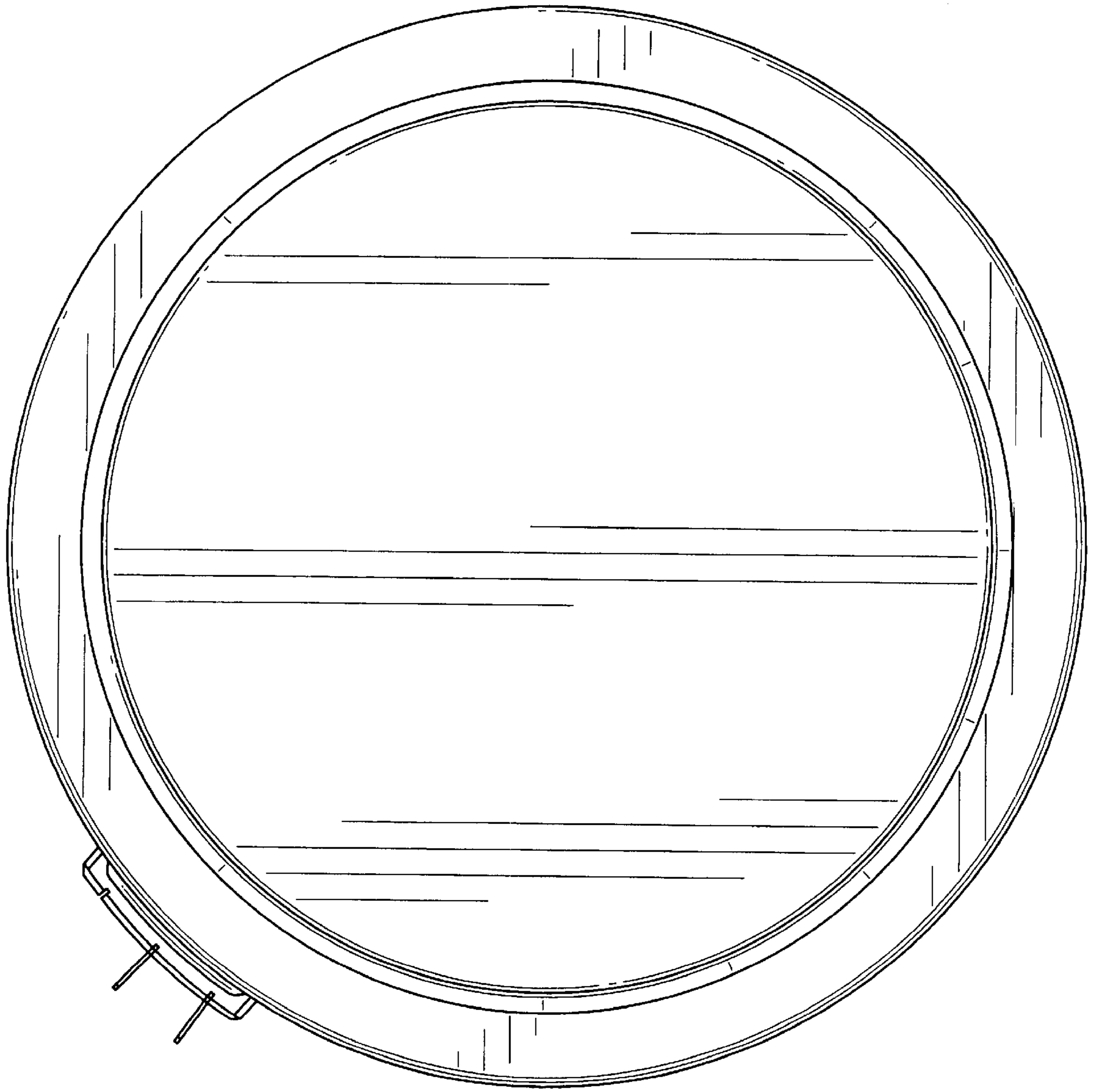


FIG. 2

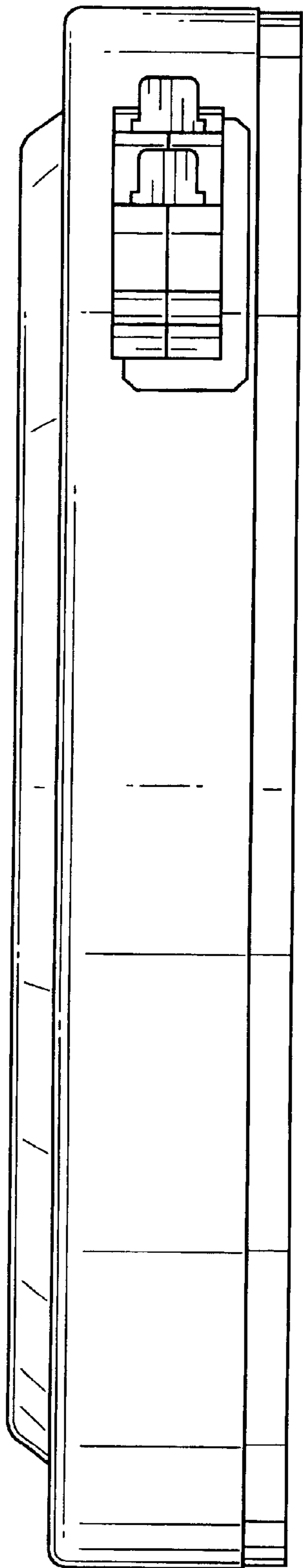


FIG. 3

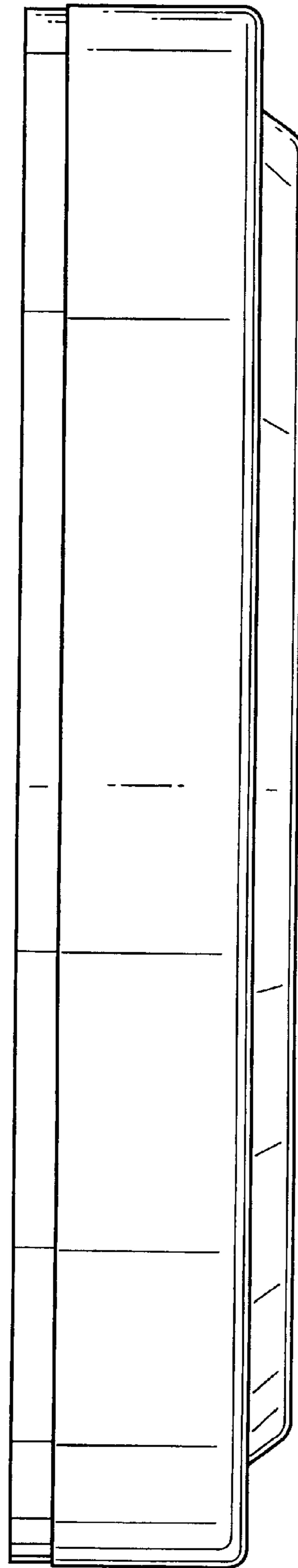


FIG. 4