



US00D433279S

United States Patent [19]

[11] Patent Number: Des. 433,279

Schlosser et al.

[45] Date of Patent: ** Nov. 7, 2000

[54] BARBECUE COOKER COVER

[75] Inventors: Erich J. Schlosser, Barrington; J. Michael Alden, Palatine; Robert T. Stephen, Barrington; James C. Stephen, Arlington Heights, all of Ill.

[73] Assignee: Weber-Stephen Products Co., Palatine, Ill.

[**] Term: 14 Years

[21] Appl. No.: 29/094,689

[22] Filed: Oct. 7, 1998

Related U.S. Application Data

[60] Division of application No. 29/058,160, Aug. 9, 1996, Pat. No. Des. 404,963, which is a continuation-in-part of application No. 29/049,066, Jan. 16, 1996, Pat. No. Des. 380,933, which is a continuation of application No. 29/038,410, May 5, 1995, abandoned.

[51] LOC (7) Cl. 07-02

[52] U.S. Cl. D7/402; D7/334

[58] Field of Search D7/331-338, 402-404, D7/409, 362-365, 367; 99/340, 375, 419, 421 H, 421 R, 422, 424, 443 C-444, 446-447, 449, 450; 126/25 R, 25 A, 25 AA, 9 R, 38-39 R, 40, 41 R, 50, 334, 29-30; 426/523; 431/247

[56] References Cited

U.S. PATENT DOCUMENTS

- D. 219,629 12/1970 Koziol .
- D. 293,067 12/1987 Stephen et al. .
- D. 316,335 4/1991 Stephen et al. .
- D. 324,622 3/1992 Baynes et al. .
- D. 339,714 9/1993 Leblanc et al. D7/334
- D. 362,153 9/1995 Home .
- D. 380,933 7/1997 Schlosser et al. .
- D. 386,937 12/1997 Pai D7/334
- D. 395,378 6/1998 Schlosser et al. .
- D. 404,963 2/1999 Schlosser et al. D7/334
- D. 412,425 8/1999 Pai D7/334
- 1,460,928 7/1923 Tilden .
- 2,207,307 7/1940 Teller et al. .

- 2,304,140 12/1942 Bergholm .
- 2,447,925 8/1948 Vorbusch .
- 2,541,528 2/1951 McAvoy .
- 2,600,234 6/1952 Foley .
- 4,677,964 7/1987 Lohmeyer et al. .
- 4,696,282 9/1987 Incitti .
- 4,718,399 1/1988 Shepherd .
- 4,770,157 9/1988 Shepherd et al. .
- 4,886,045 12/1989 Ducate, Jr. et al. .
- 4,924,846 5/1990 Peacock et al. .
- 5,033,449 7/1991 Hanagan .
- 5,050,577 9/1991 Baynes et al. .
- 5,070,776 12/1991 Schlosser et al. .
- 5,072,718 12/1991 Seal .
- 5,109,834 5/1992 Collins et al. .
- 5,140,973 8/1992 Homes .
- 5,203,317 4/1993 James .
- 5,323,758 6/1994 Minshall et al. .
- 5,341,793 8/1994 Brown .
- 5,408,985 4/1995 Giebel et al. .
- 5,452,707 9/1995 Harris et al. .
- 5,483,947 1/1996 Giebel et al. .
- 5,623,866 4/1997 Home 99/444
- 5,934,183 8/1999 Schlosser et al. 99/385

FOREIGN PATENT DOCUMENTS

- S-94063 11/1986 Australia .
- 46671 8/1964 United Kingdom .

Primary Examiner—Ruth McInroy
Attorney, Agent, or Firm—Wallenstein & Wagner, Ltd.

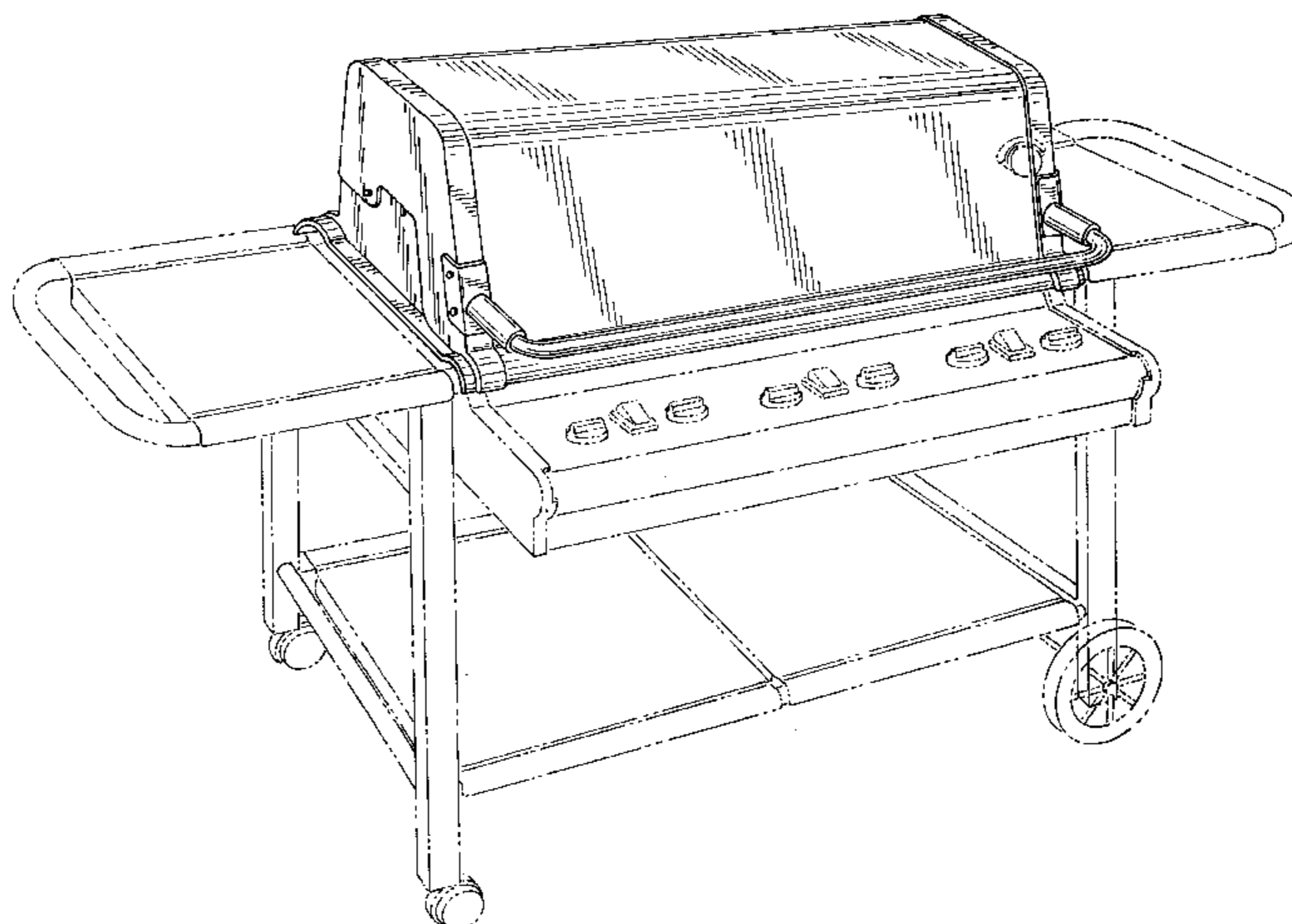
[57] CLAIM

We claim the ornamental design for a barbecue cooker cover, as shown and described.

DESCRIPTION

FIG. 1 is a front perspective view of the barbecue cooker cover showing our new design; FIG. 2 is a front elevation view thereof; FIG. 3 is a left-side elevation view thereof; FIG. 4 is a right-side elevation view thereof; FIG. 5 is a top plan view thereof; and, FIG. 6 is a rear elevation view thereof. The underside of the barbecue cooker cover is plain and not ornamental.

1 Claim, 5 Drawing Sheets



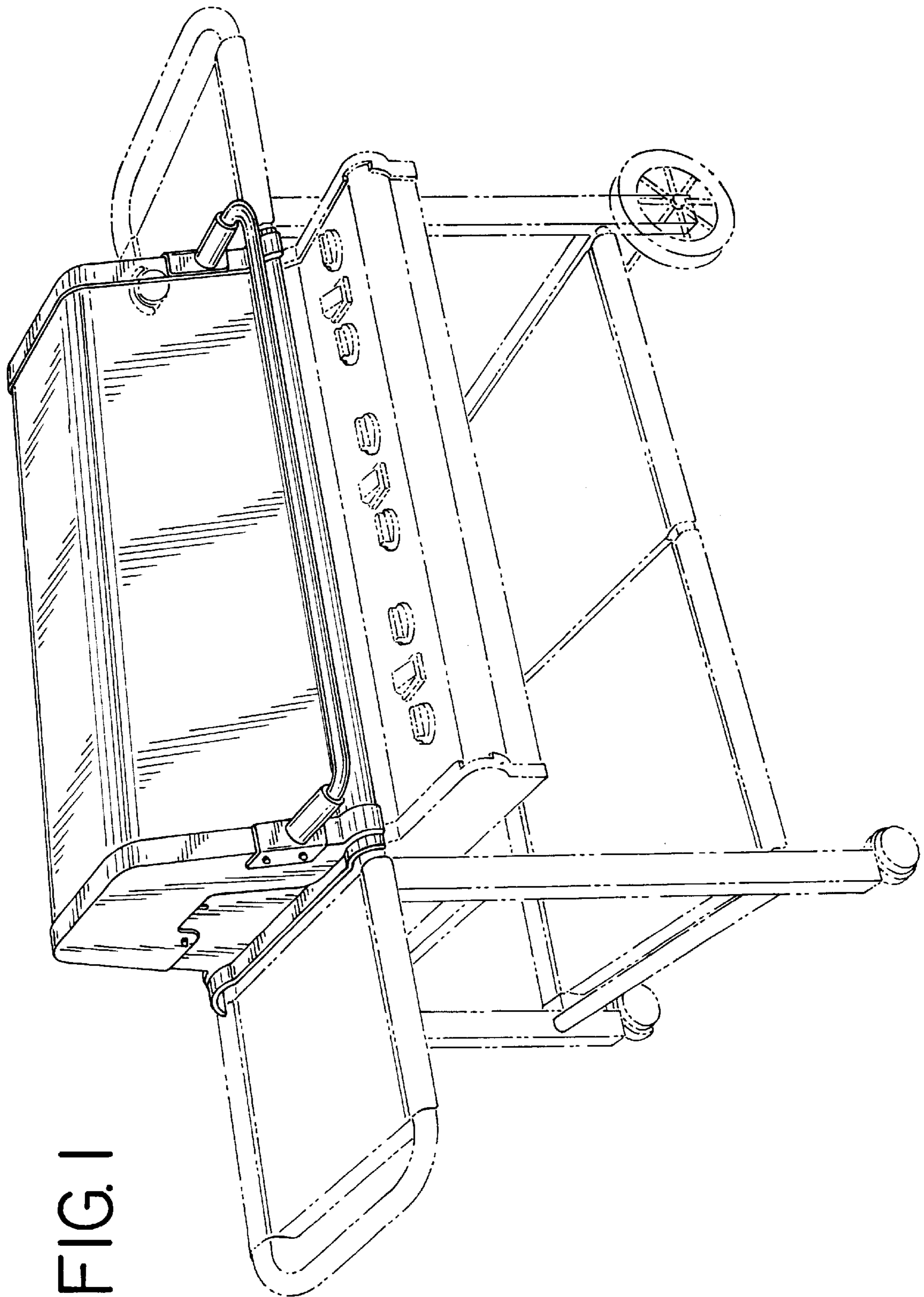


FIG. 1

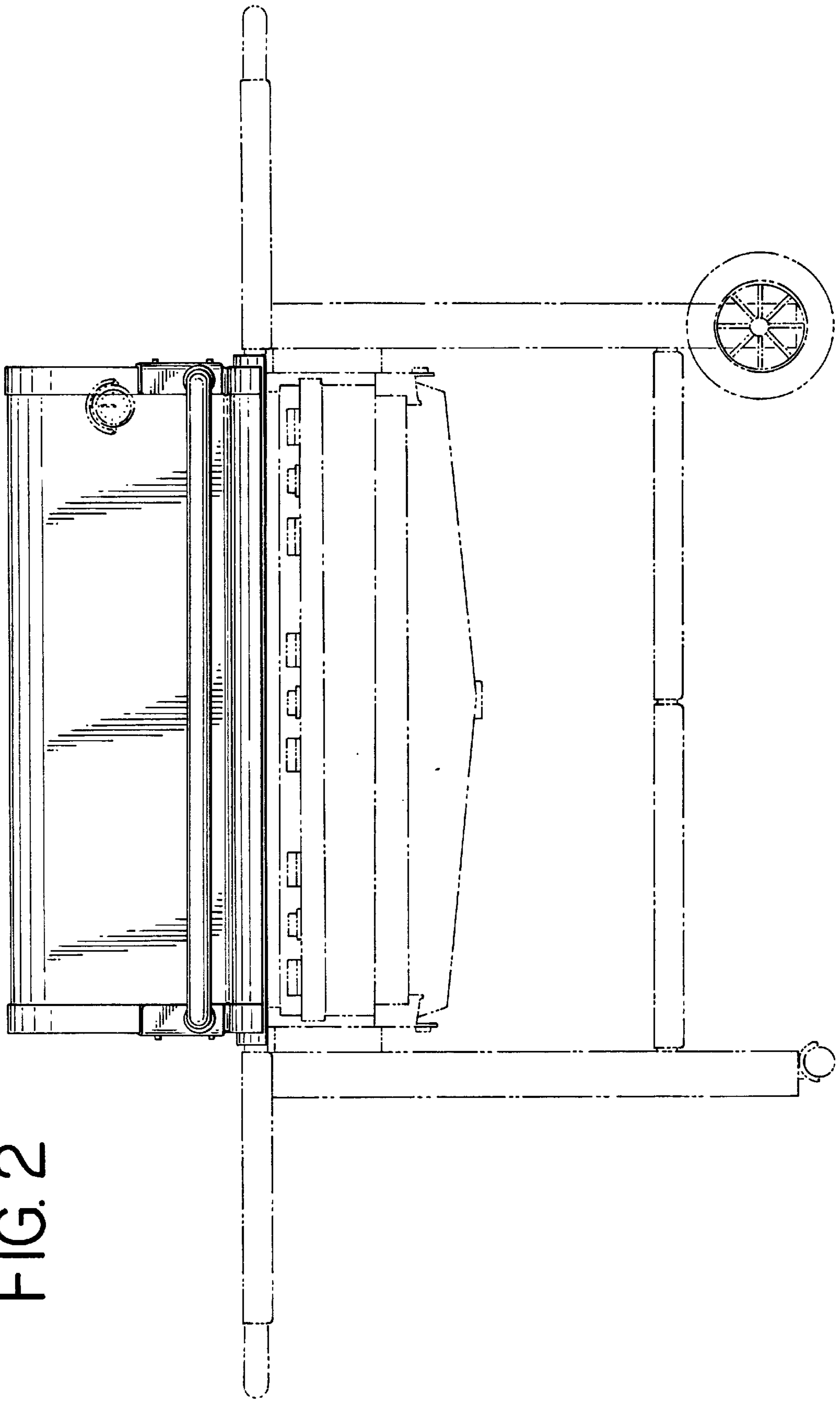


FIG. 2

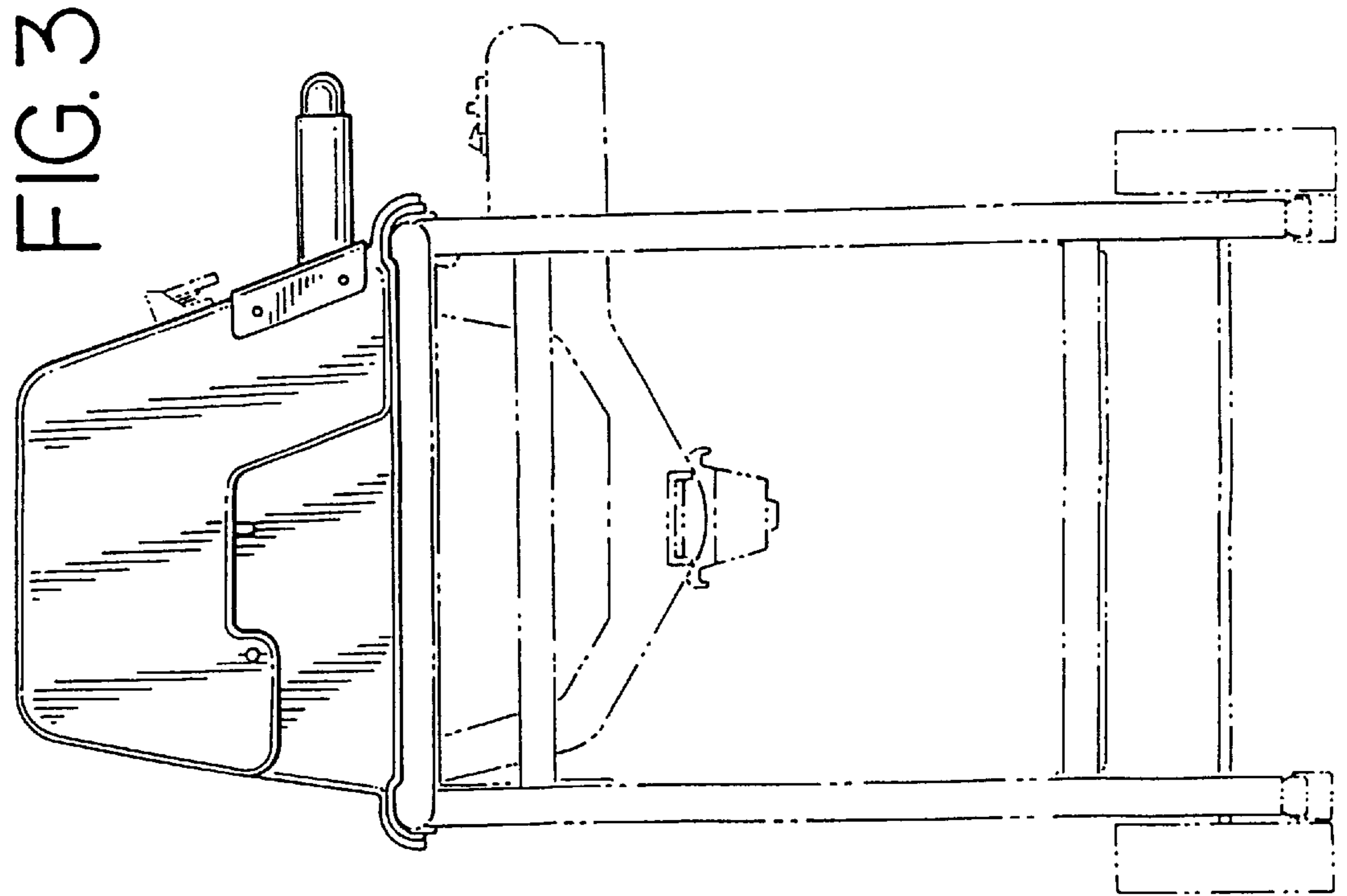
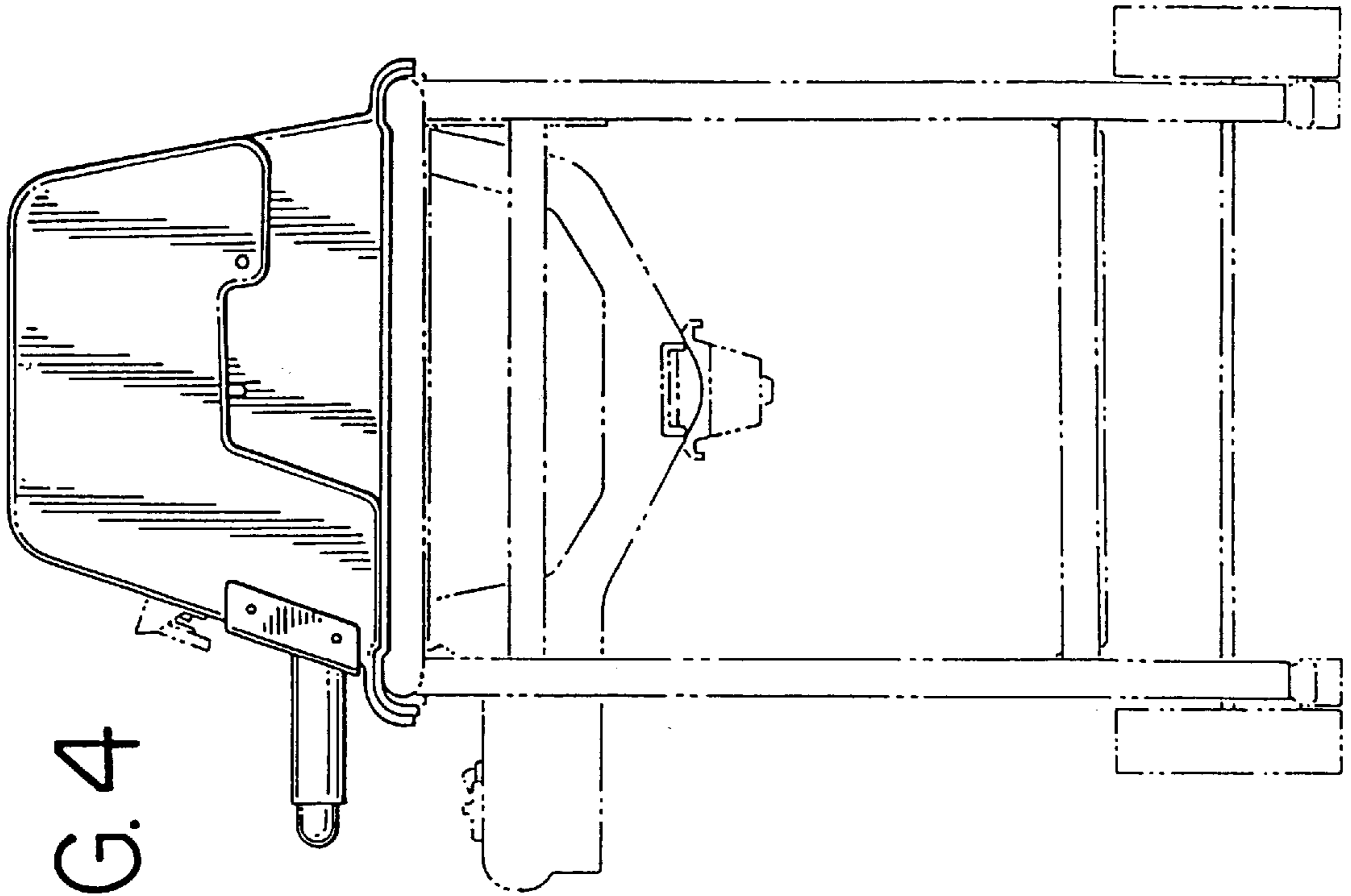
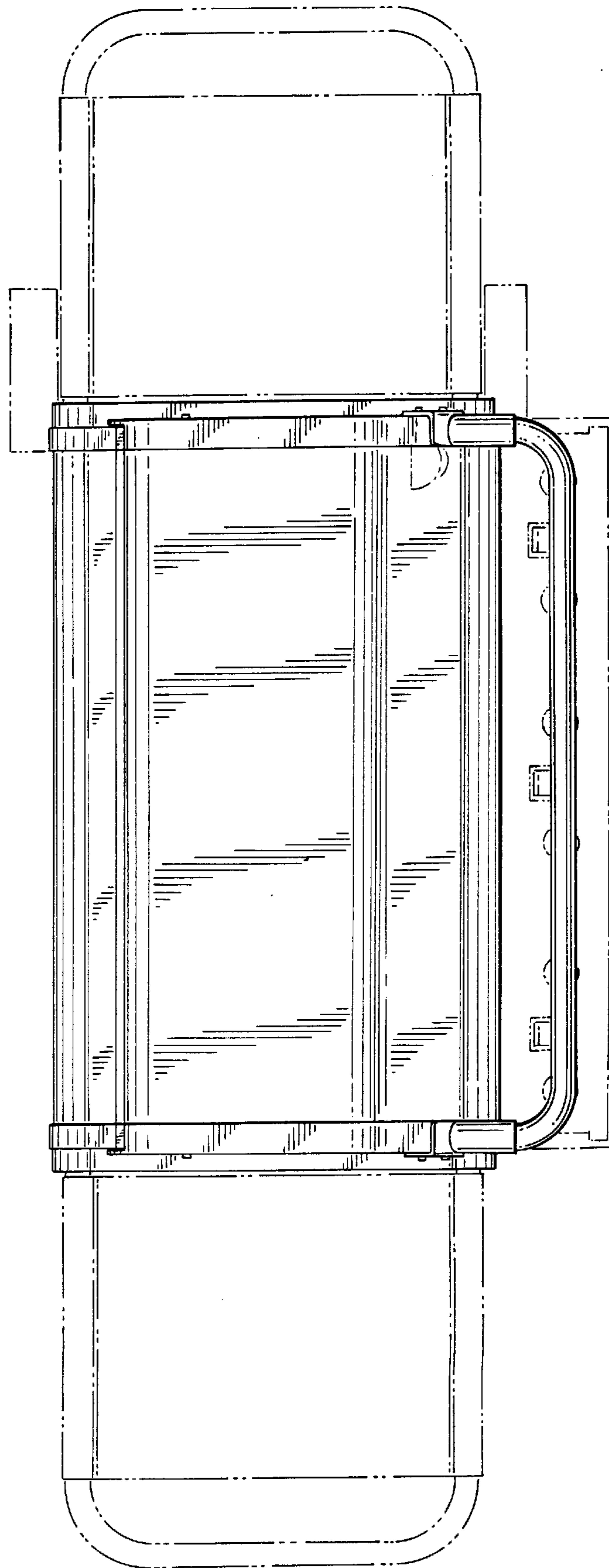


FIG. 5



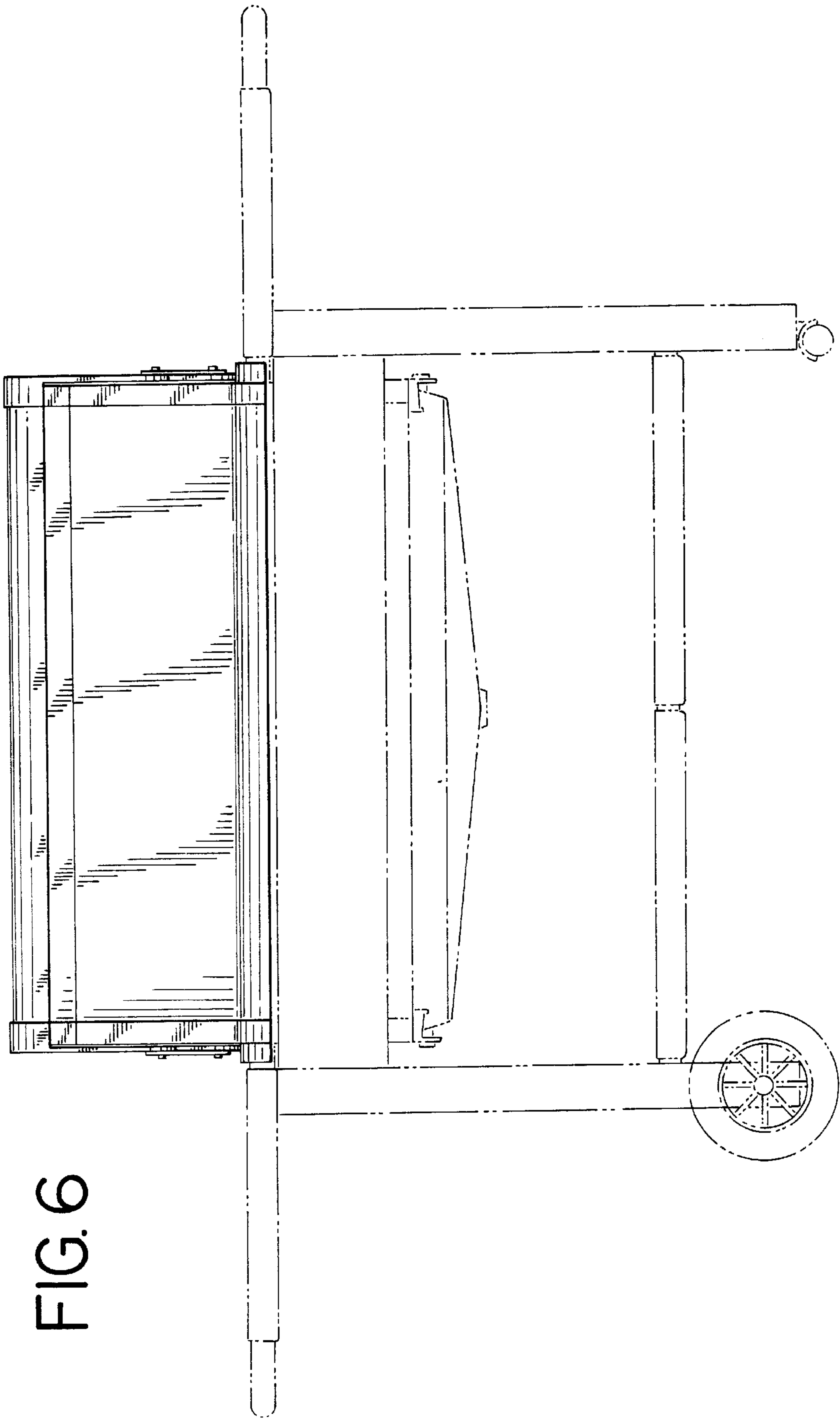


FIG. 6