



US00D433273S

# United States Patent [19] Roussard

[11] **Patent Number: Des. 433,273**

[45] **Date of Patent: \*\* Nov. 7, 2000**

[54] **PRESSURE COOKER**

[75] Inventor: **Philippe Roussard**, Selongey, France

[73] Assignee: **SEB**, Selongey, France

[\*\*] Term: **14 Years**

[21] Appl. No.: **29/118,668**

[22] Filed: **Feb. 15, 2000**

[30] **Foreign Application Priority Data**

Aug. 25, 1999 [FR] France ..... 99 5308

[51] **LOC (7) Cl.** ..... **07-02**

[52] **U.S. Cl.** ..... **D7/358**

[58] **Field of Search** ..... D7/323, 354-361;  
99/324, 325, 329 R, 339; 220/573.1, 203.01,  
303, 203.07

[56] **References Cited**

**U.S. PATENT DOCUMENTS**

D. 303,064 8/1989 Vasudeva ..... D7/358

D. 312,751 12/1990 Moreno ..... D7/358  
D. 365,494 12/1995 Roussard ..... D7/358  
4,534,485 8/1985 Subramanian ..... 220/203.07

*Primary Examiner*—Caron D. Veynar  
*Attorney, Agent, or Firm*—Pillsbury Madison & Sutro

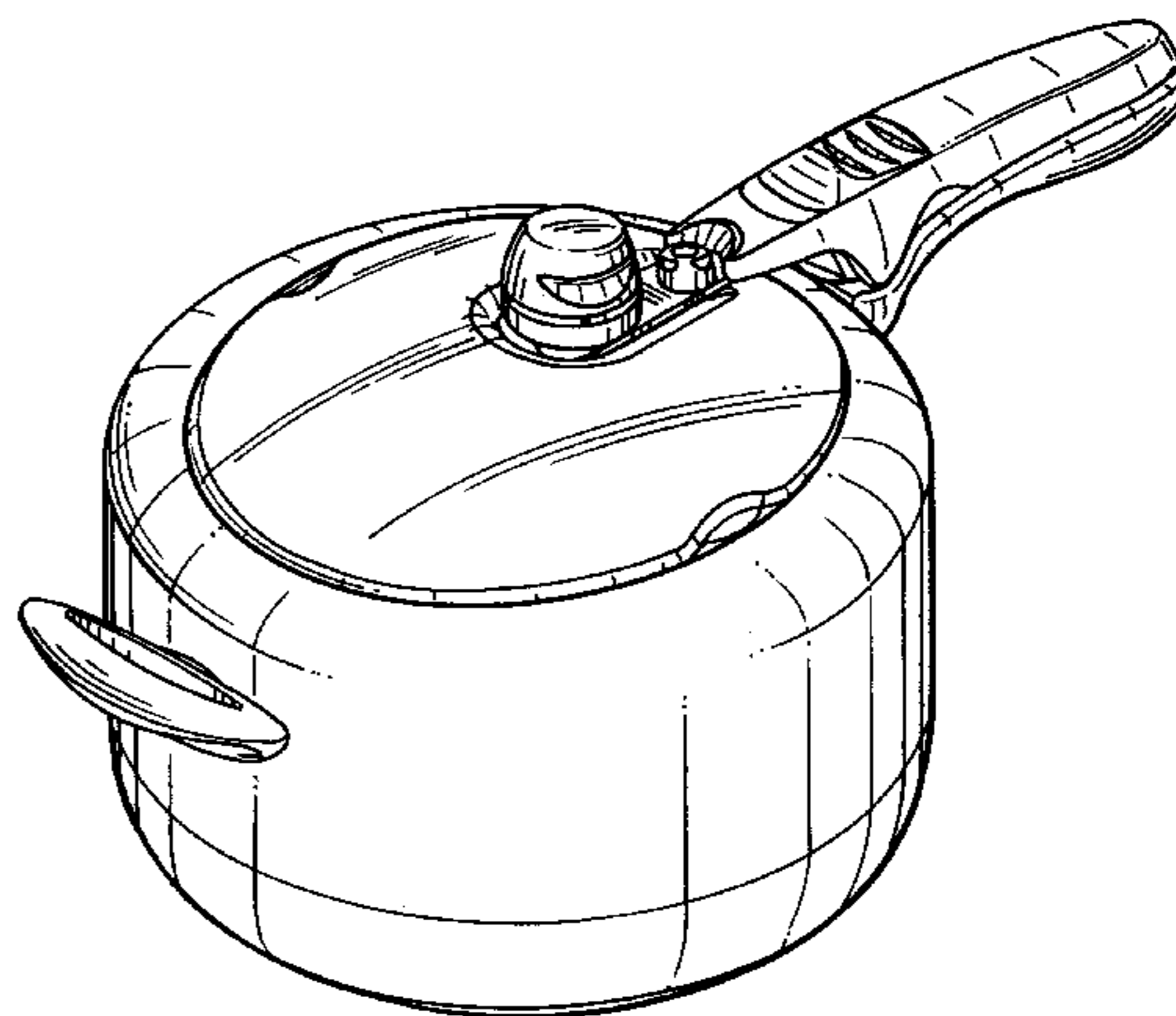
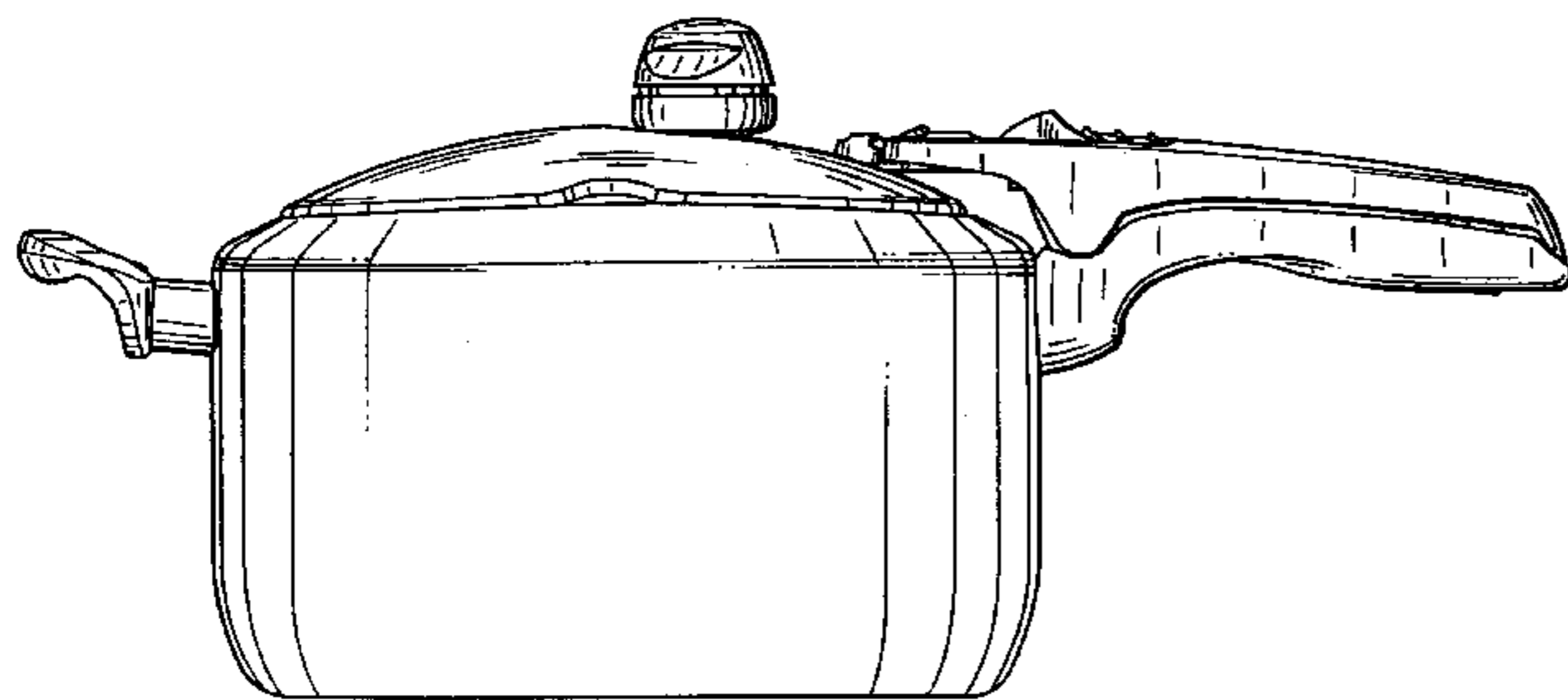
[57] **CLAIM**

The ornamental design for a pressure cooker, as shown.

**DESCRIPTION**

FIG. 1 is a front elevational view of a pressure cooker according to my new design;  
FIG. 2 is a rear elevational view thereof;  
FIG. 3 is a right side elevational view thereof;  
FIG. 4 is a left side elevational view thereof;  
FIG. 5 is a top plan view thereof;  
FIG. 6 is a bottom plan view thereof; and,  
FIG. 7 is a perspective view thereof, seen from above and from the front left.

**1 Claim, 4 Drawing Sheets**



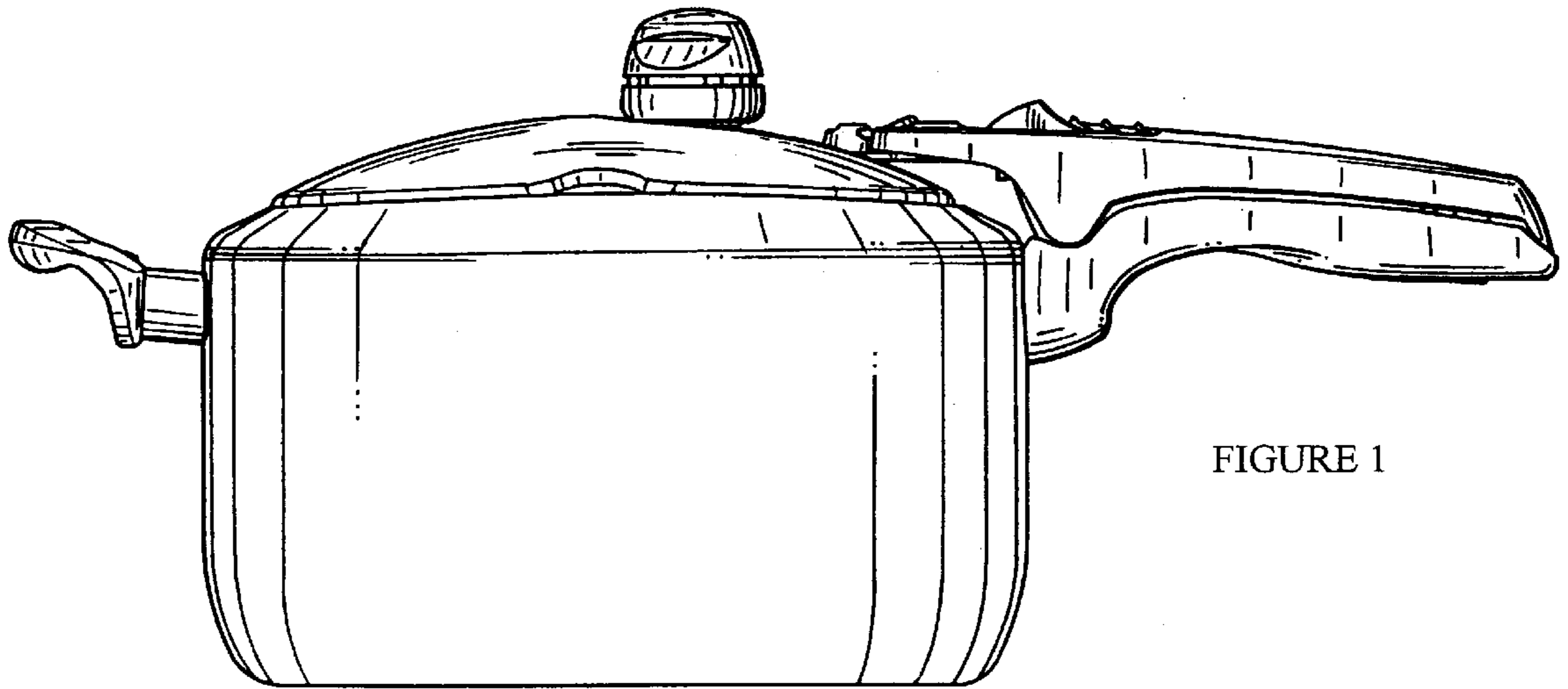


FIGURE 1

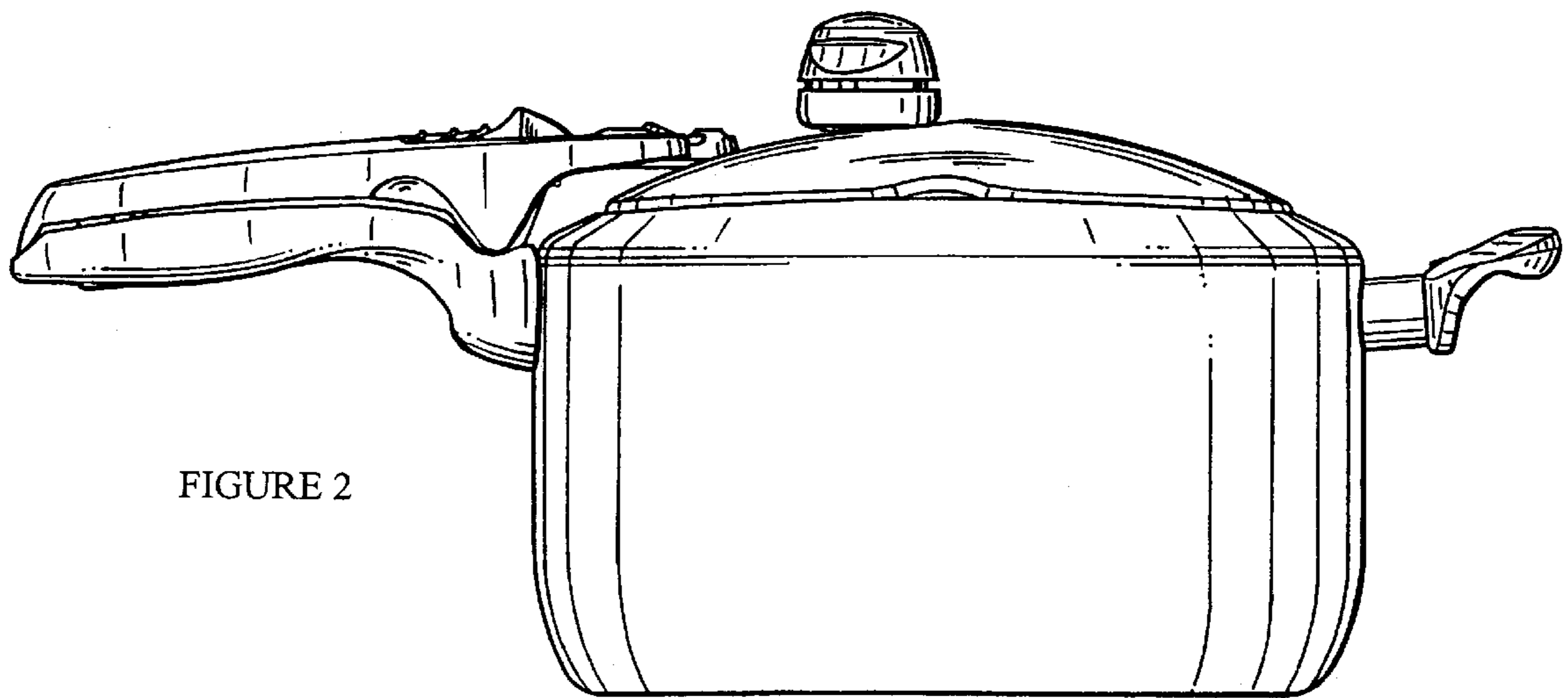


FIGURE 2

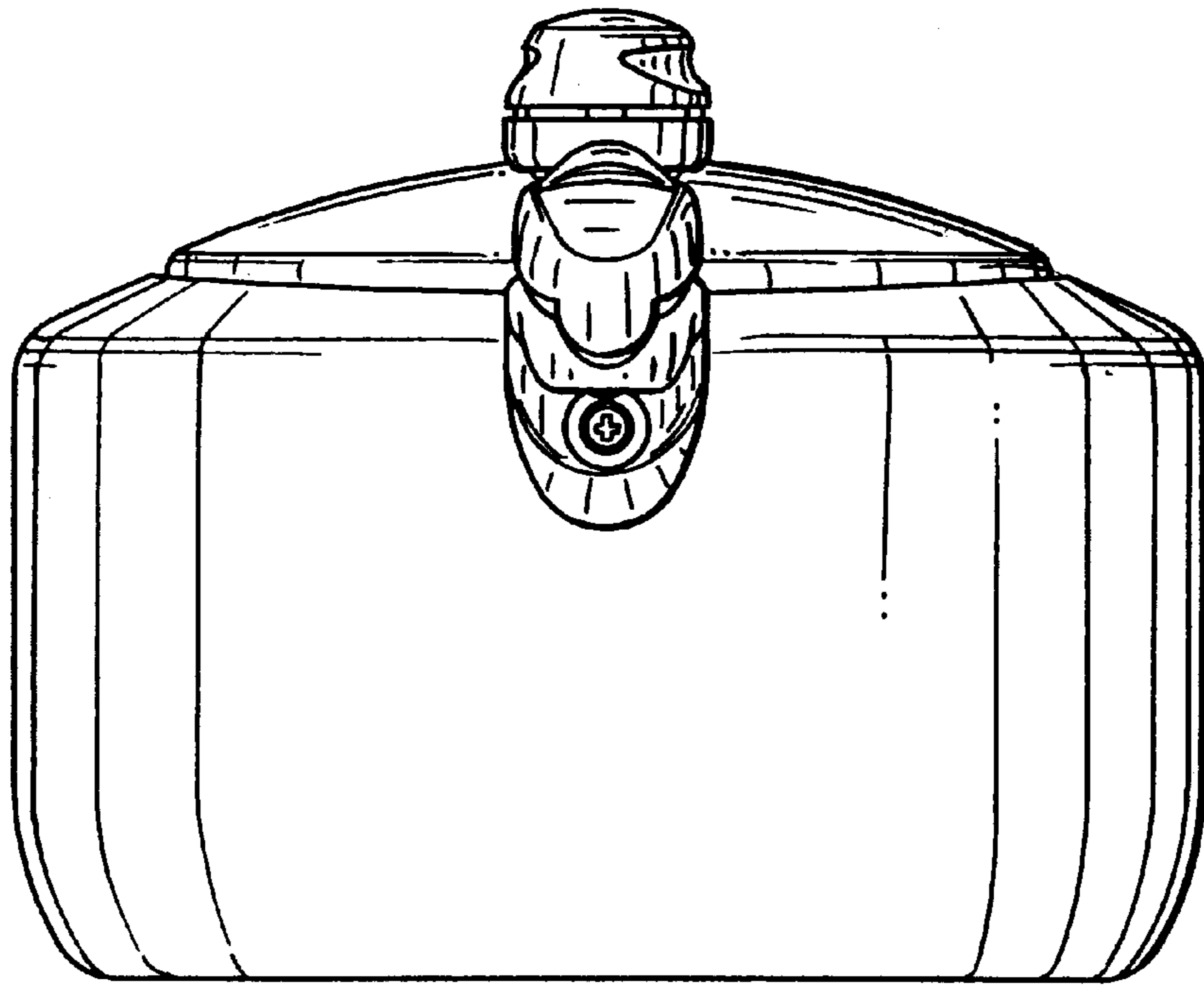


FIGURE 3

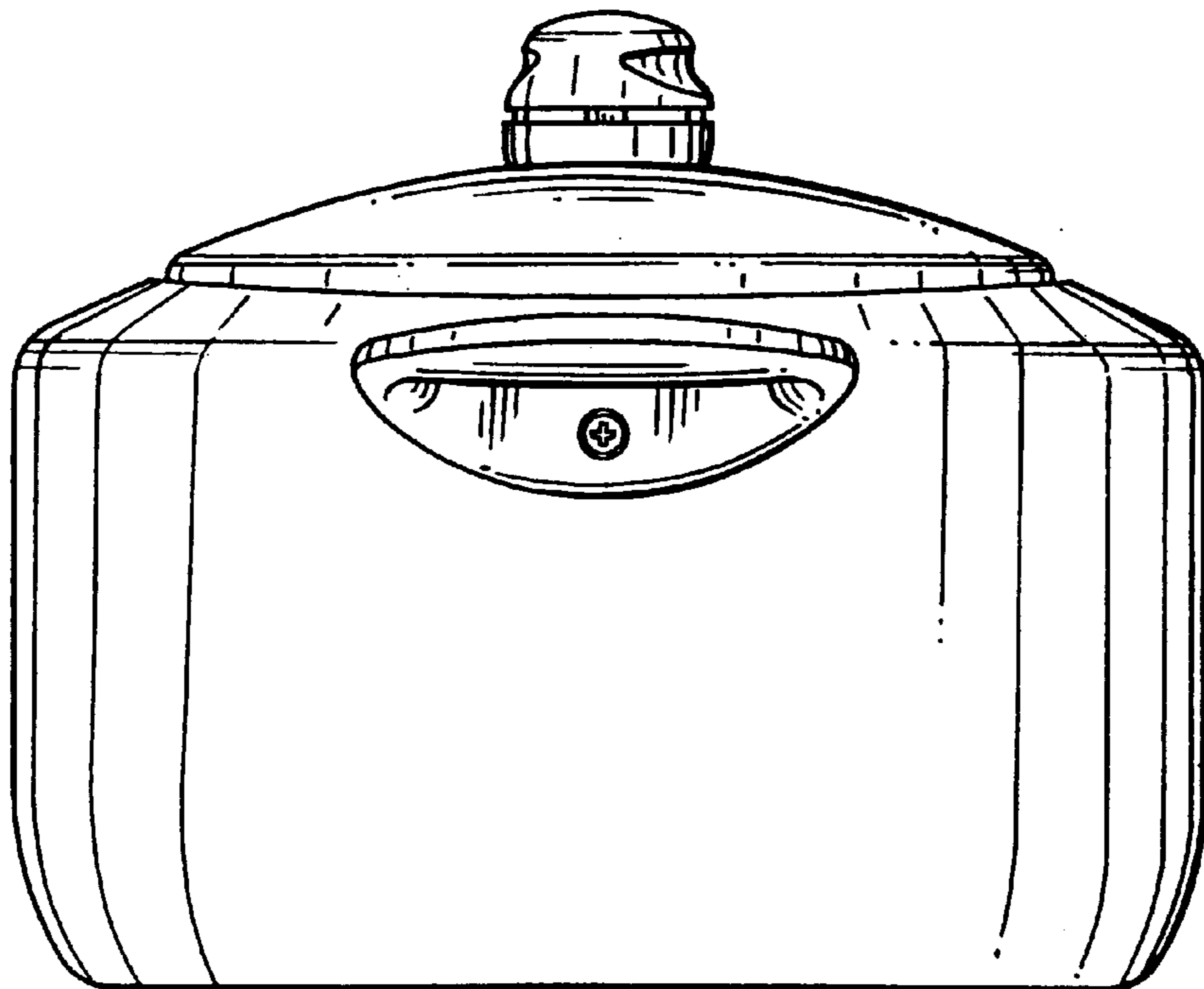


FIGURE 4

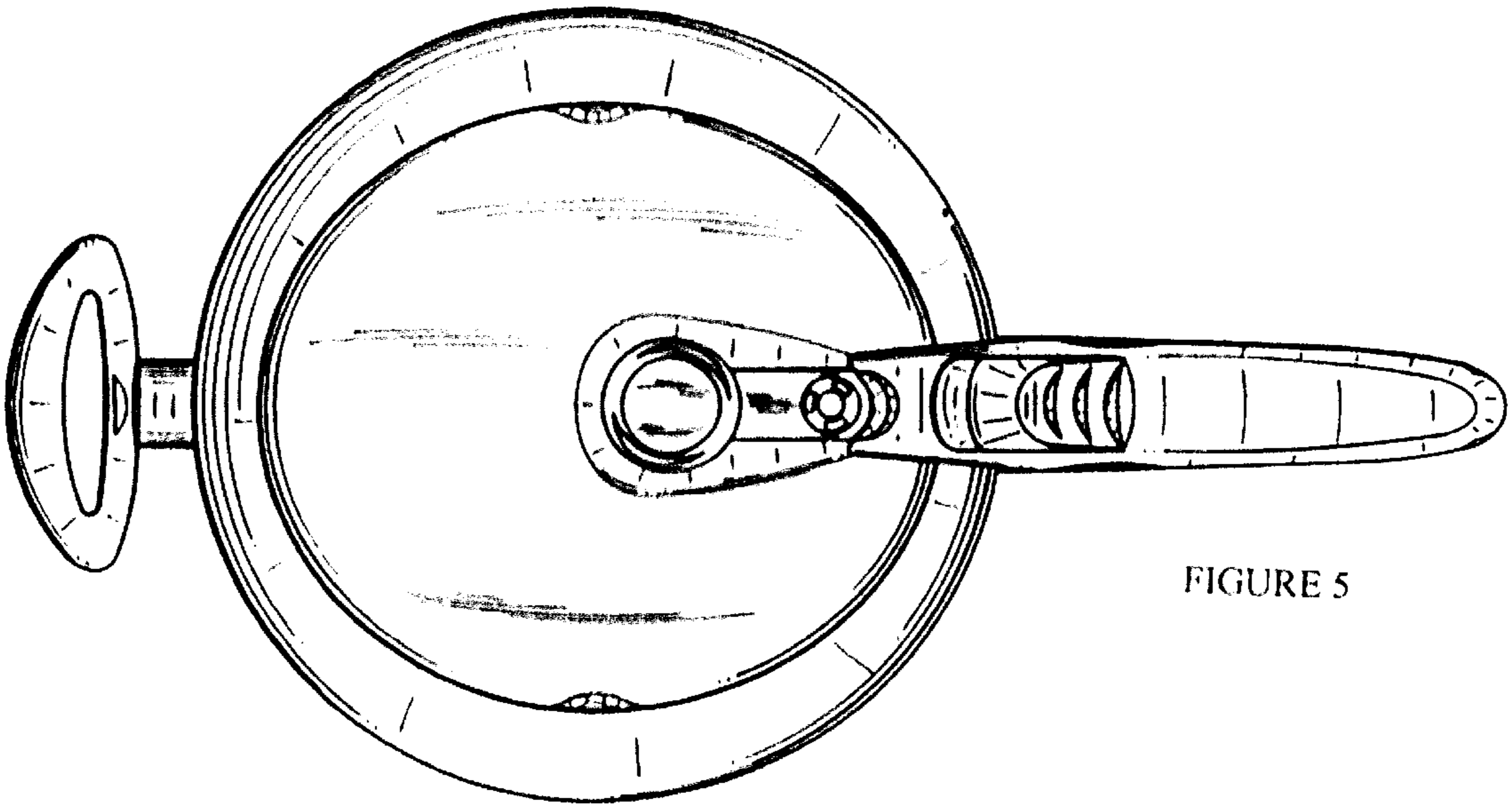


FIGURE 5

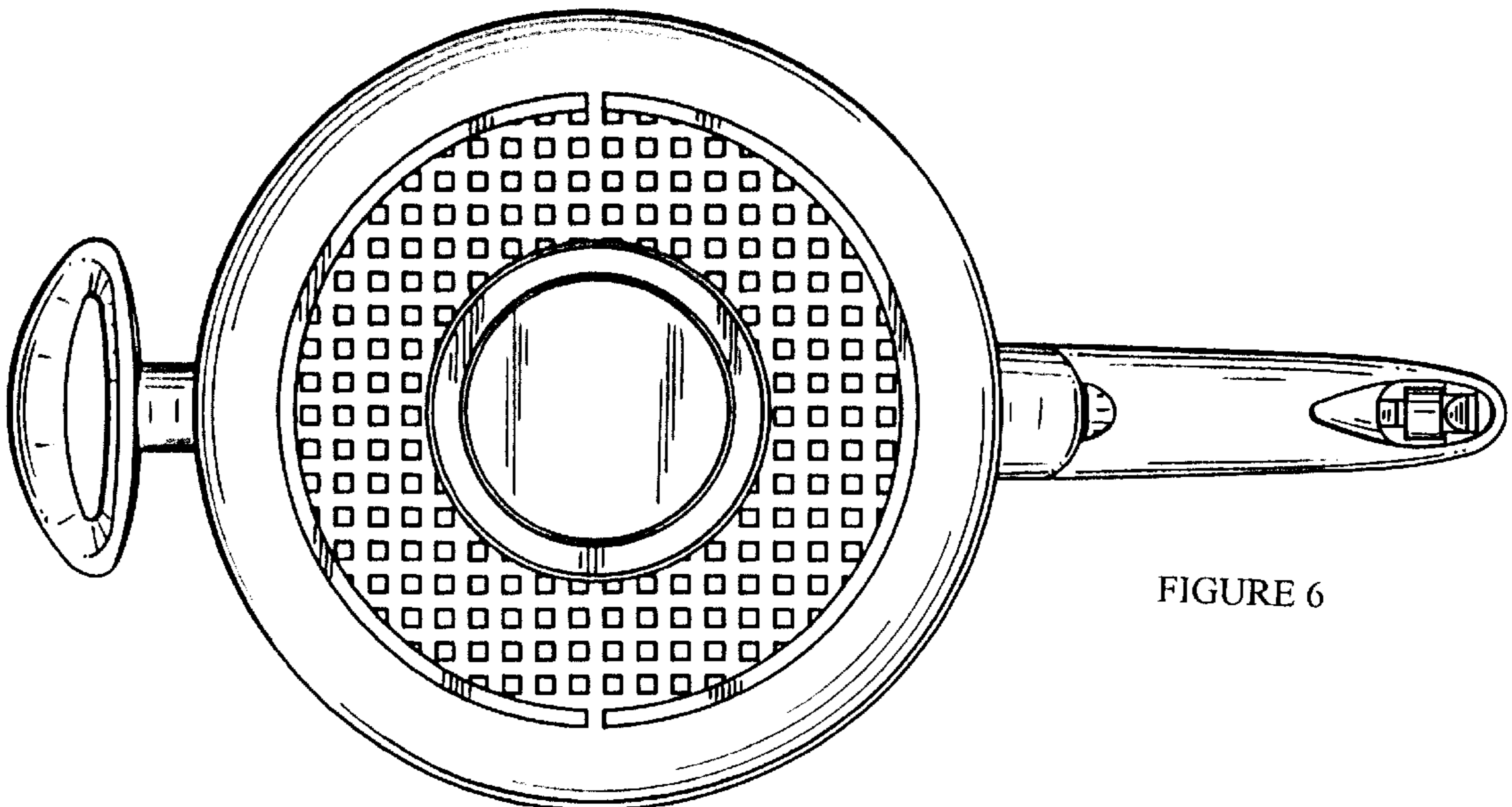


FIGURE 6

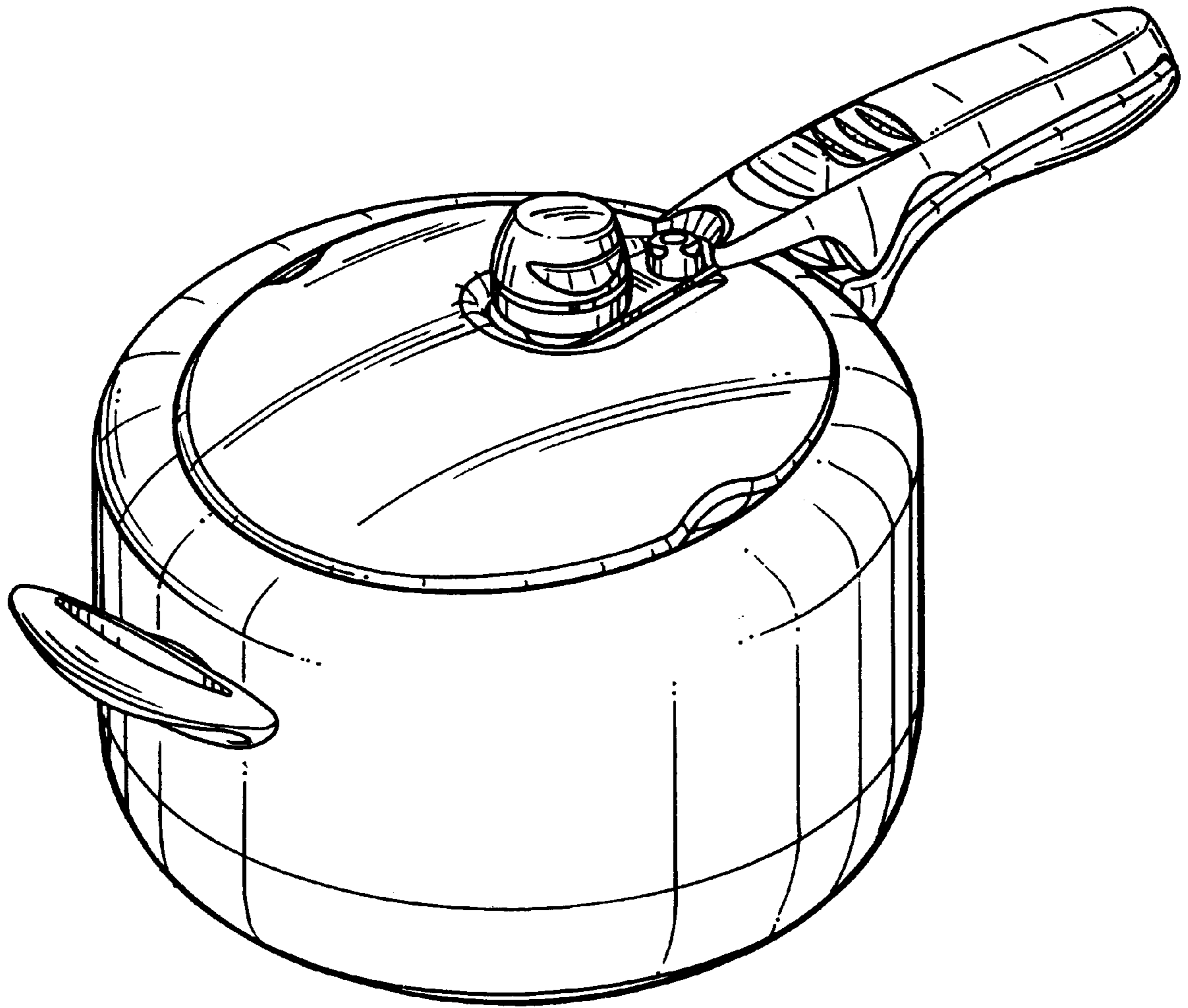


FIGURE 7