



US00D433272S

United States Patent [19] Park

[11] **Patent Number: Des. 433,272**

[45] **Date of Patent: ** Nov. 7, 2000**

[54] **ROUND CHAFER UNIT**

[75] Inventor: **Chang Su Park**, Inchon, Rep. of Korea

[73] Assignee: **Chang Shin Metal Company**, Rep. of Korea

[**] Term: **14 Years**

[21] Appl. No.: **29/105,385**

[22] Filed: **May 23, 1999**

[51] **LOC (7) Cl.** **07-02**

[52] **U.S. Cl.** **D7/355**

[58] **Field of Search** D7/354-361, 366;
219/385, 386, 429, 438, 520, 620, 621,
622; 99/324; 220/573.1, 252

[56] **References Cited**

U.S. PATENT DOCUMENTS

D. 35,501	12/1901	Savage et al.	D7/366
D. 38,423	1/1907	Gutermann	D7/366
D. 150,157	7/1948	O'Connell	D7/366
D. 176,993	2/1956	O'Connell	D7/366
D. 318,975	8/1991	Thurlow	D7/355
D. 318,976	8/1991	Thurlow	D7/355

OTHER PUBLICATIONS

Gift & Art Buyer Magazine; Rubel fondue service, item No. 325. p. 127, Feb. 1962.

Merchandising Week; p. 54; Hamilton Beach Flaming Crepe set, Jul. 5, 1971.

Primary Examiner—Caron D. Veynar
Attorney, Agent, or Firm—Foley & Lardner

[57] **CLAIM**

The ornamental design for a round chafar unit, as shown and described.

DESCRIPTION

FIG. 1 is an perspective view of a round chafar unit showing my new design;

FIG. 2 is a front view of the round chafar unit shown in FIG. 1;

FIG. 3 is a right side view of the round chafar unit shown in FIG. 1;

FIG. 4 is a back view of the round chafar unit shown in FIG. 1;

FIG. 5 is a left side view of the round chafar unit shown in FIG. 1; and,

FIG. 6 is a top view of the round chafar unit shown in FIG. 1.

The broken line disclosure is for illustrative purposes only and forms no part of the claim design.

1 Claim, 4 Drawing Sheets

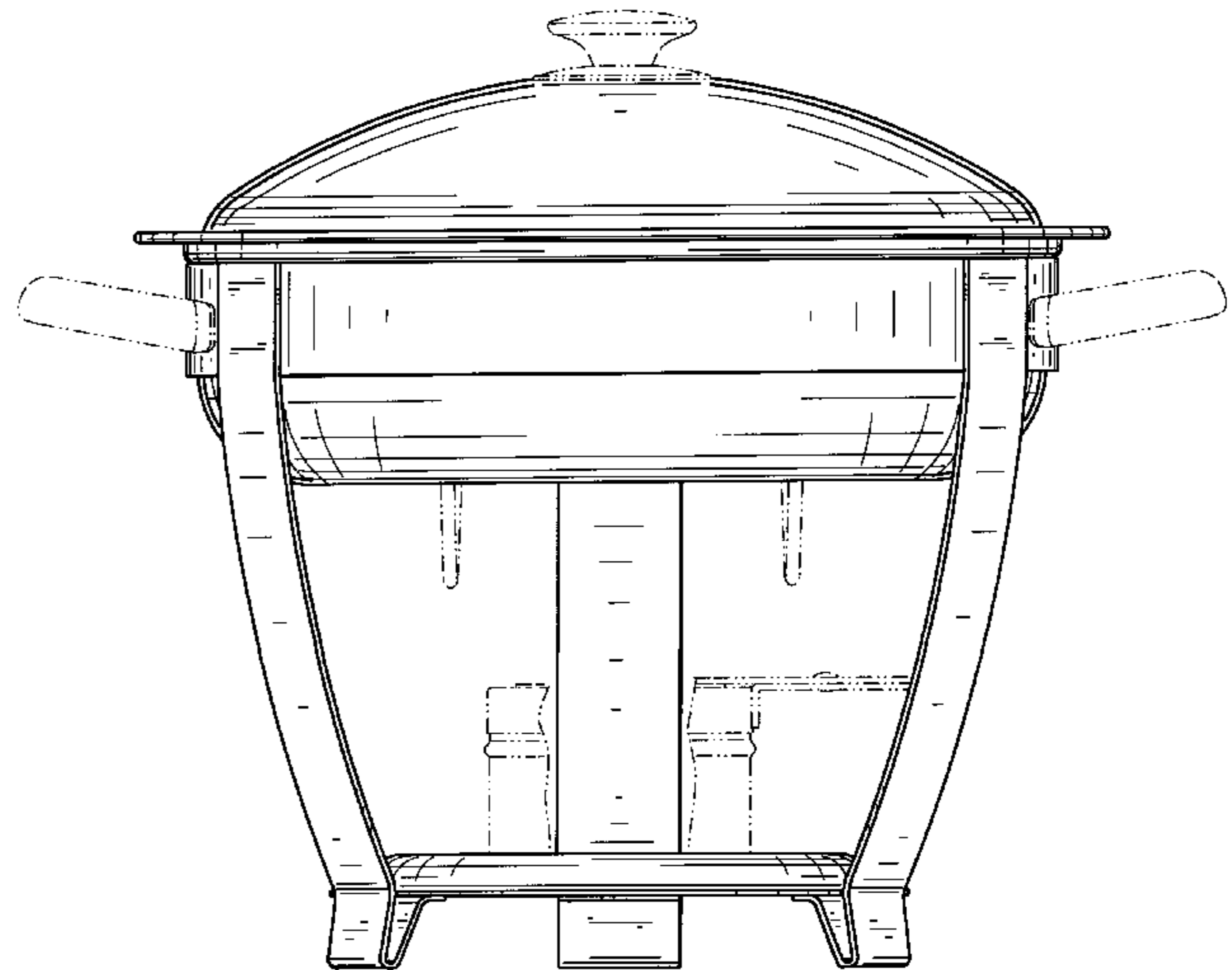
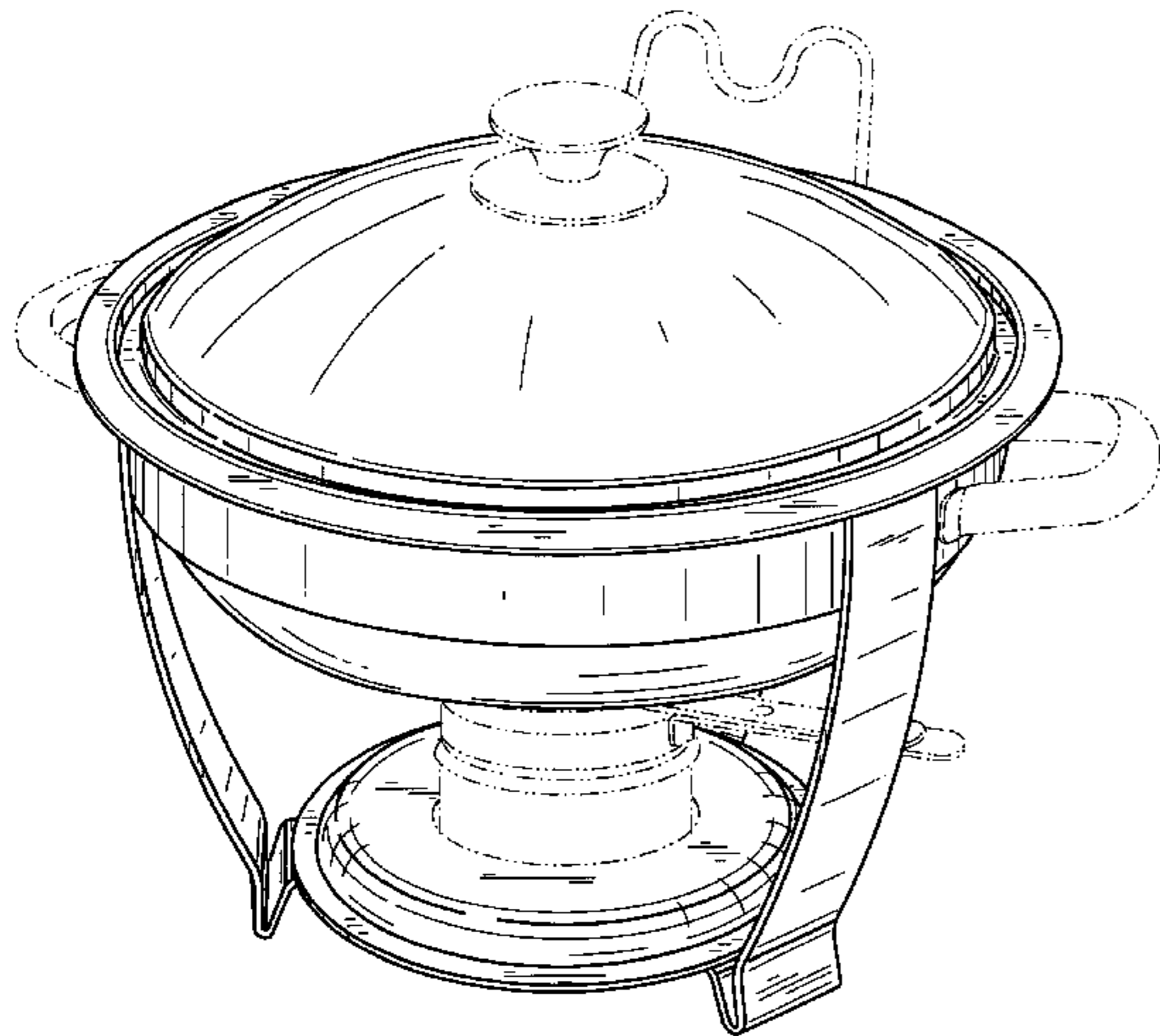


FIG. 1

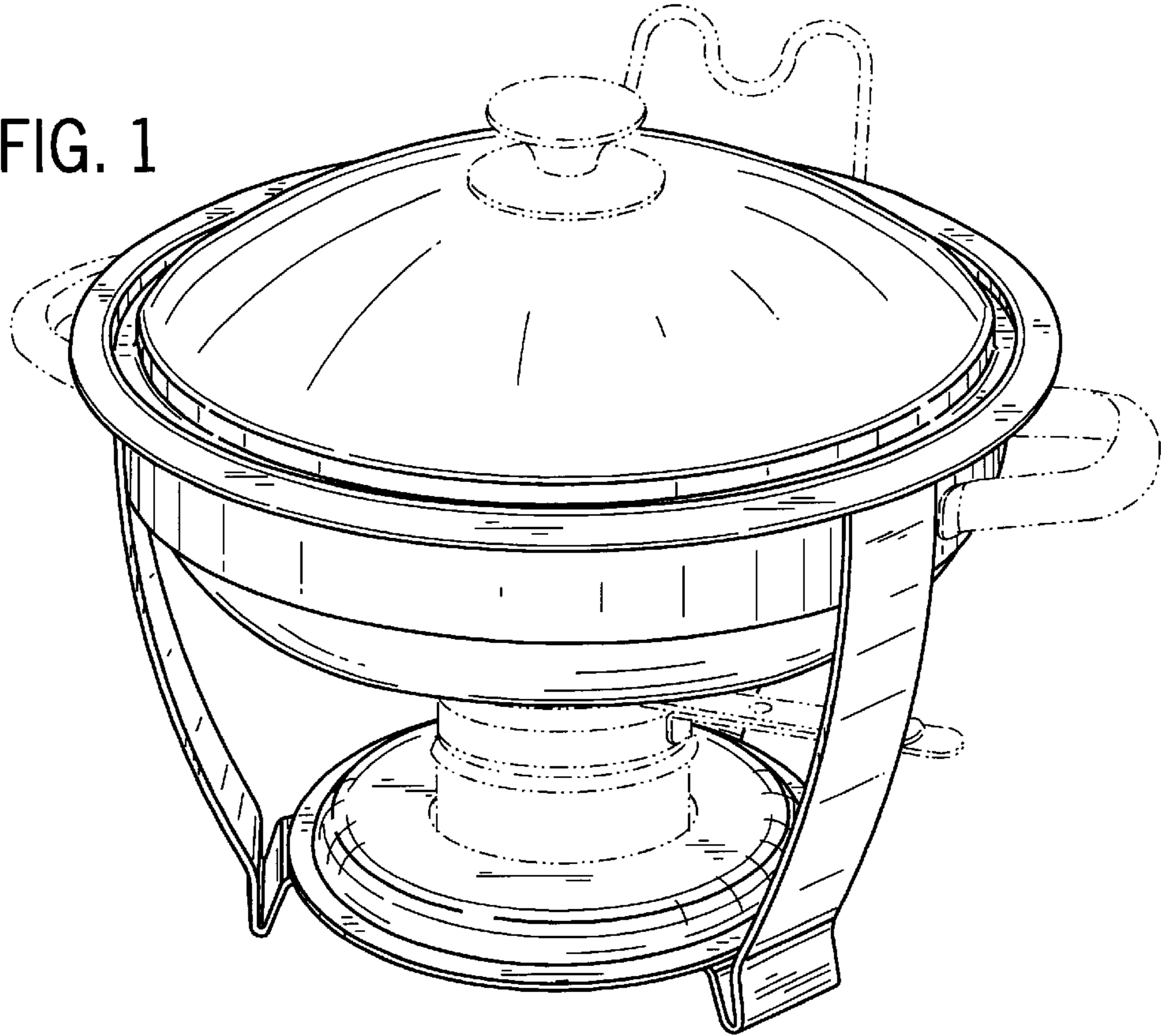


FIG. 2

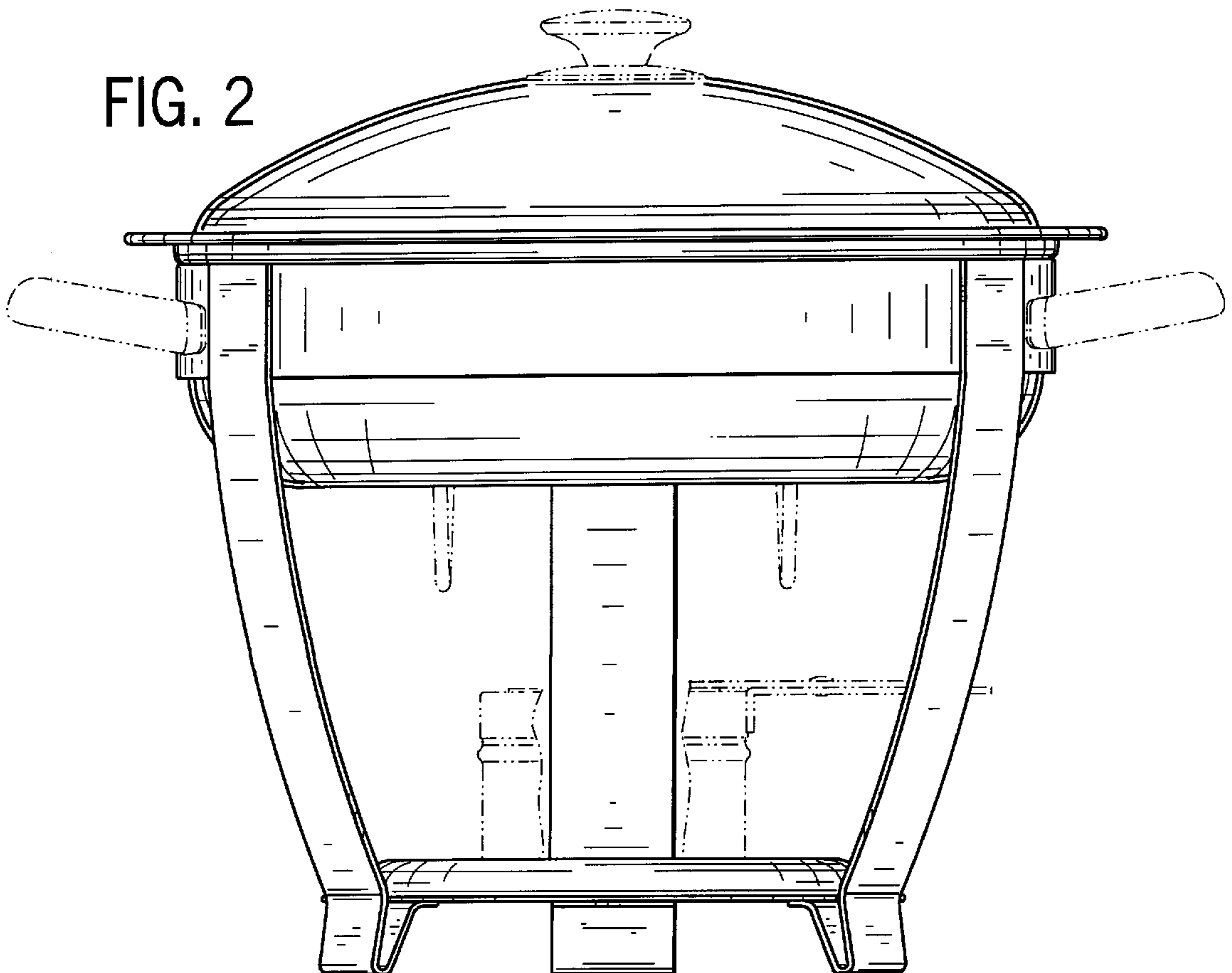


FIG. 3

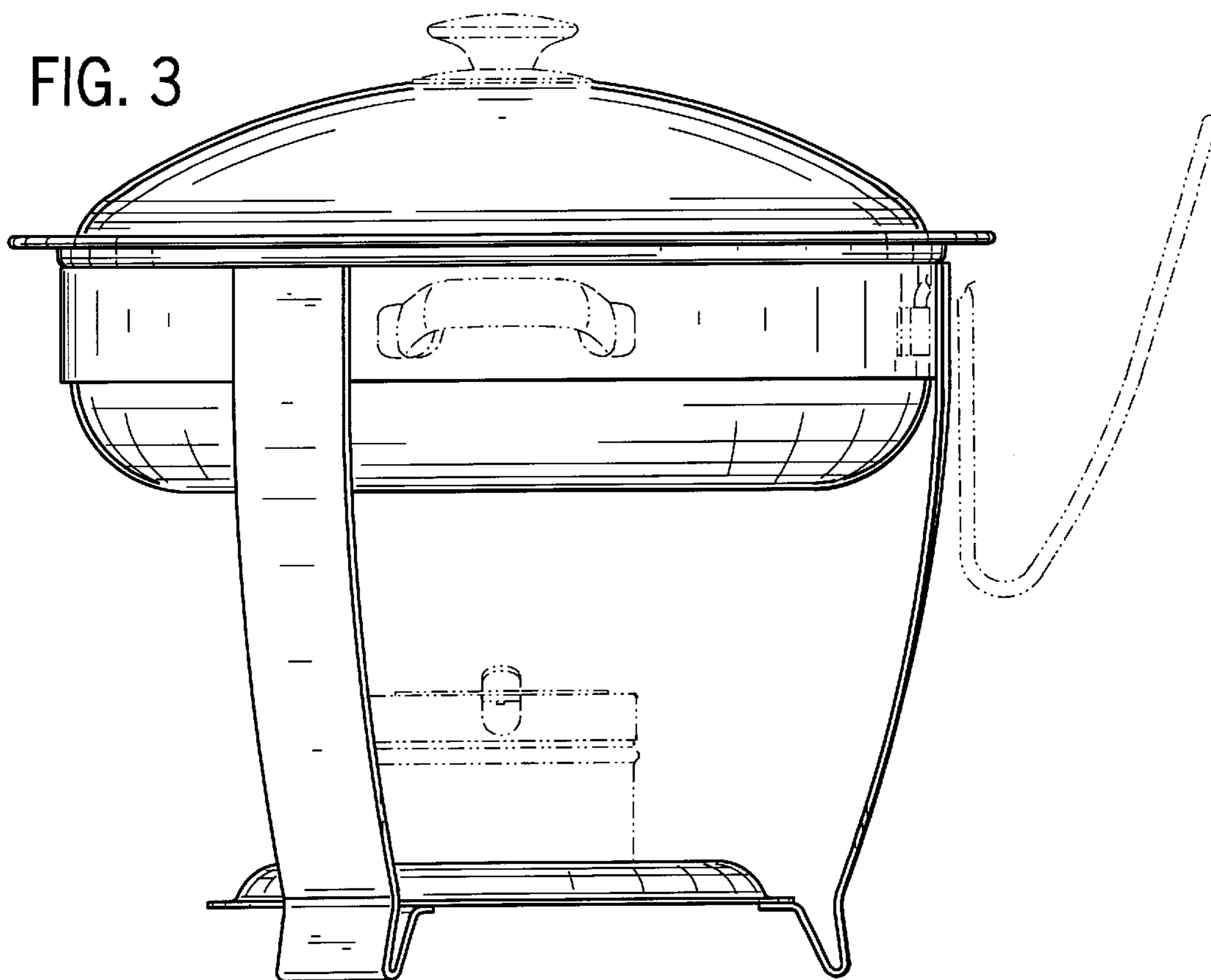


FIG. 4

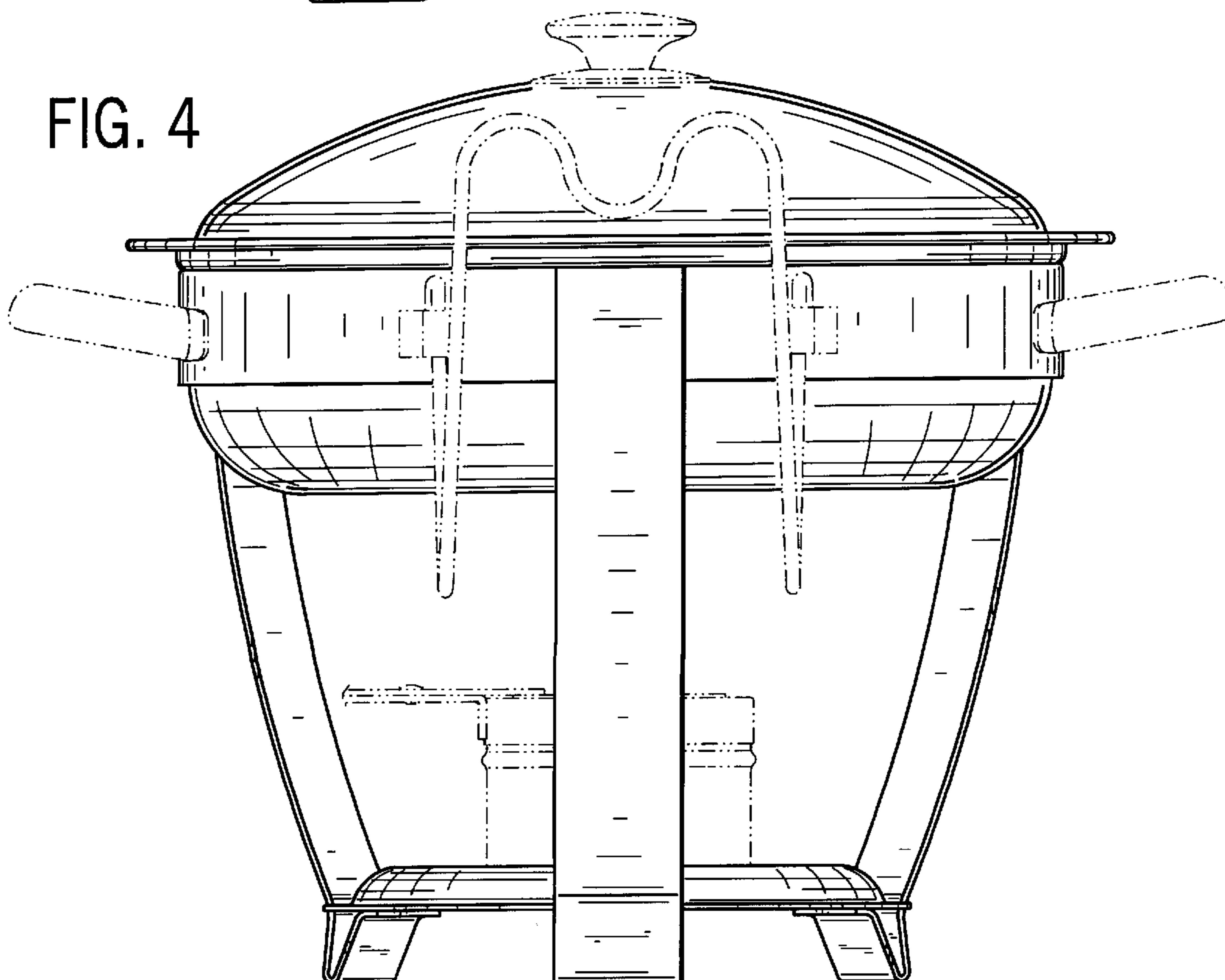


FIG. 5

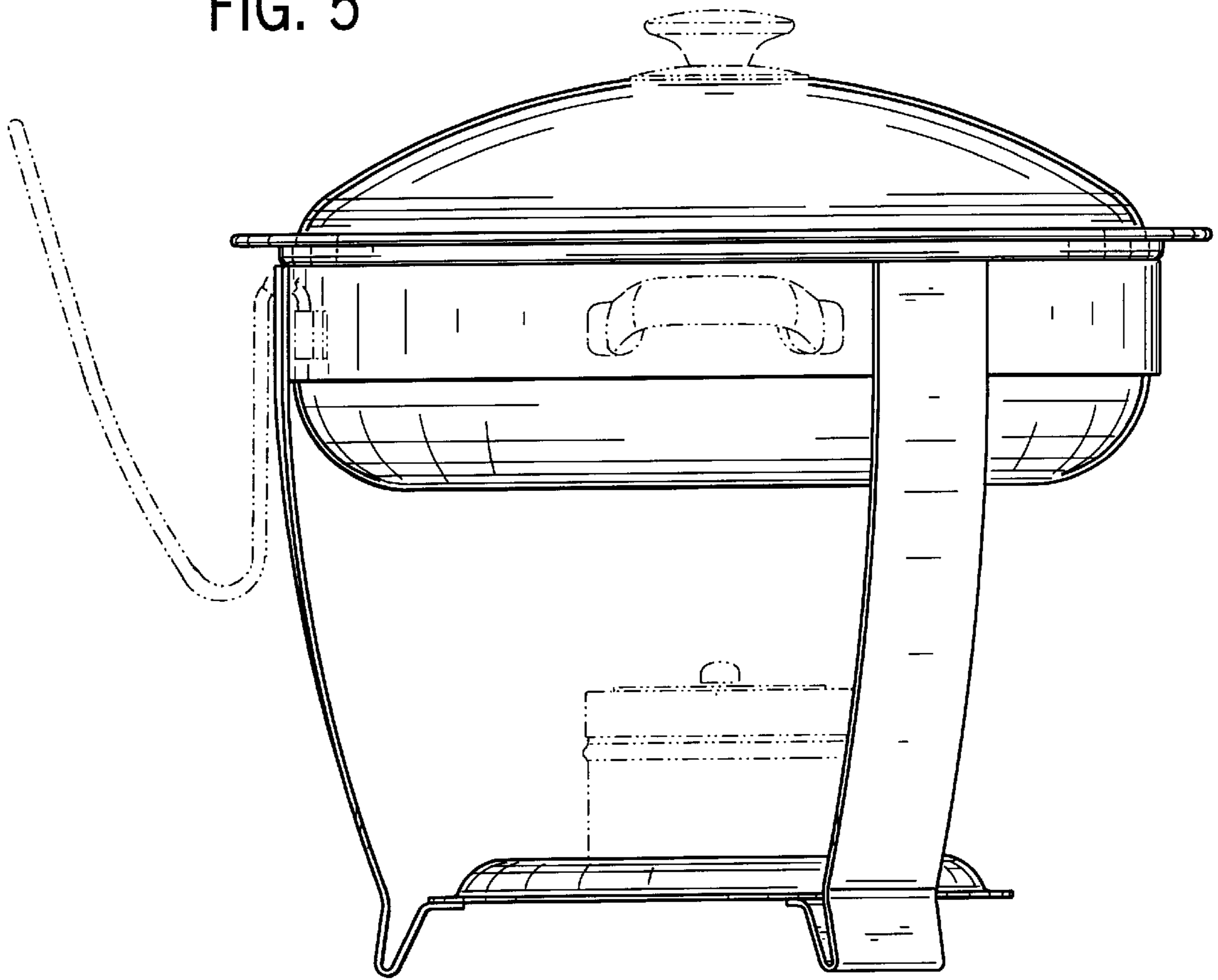


FIG. 6

