



US00D433270S

**United States Patent** [19]  
**Martinez**

[11] **Patent Number: Des. 433,270**

[45] **Date of Patent: \*\* Nov. 7, 2000**

[54] **FLATBREAD MACHINE**

3,880,064 4/1975 Martinez ..... 99/349  
4,664,025 5/1987 Martinez ..... 99/331

[76] Inventor: **Marvin G. Martinez**, 1612 E. 17<sup>th</sup> St.,  
Loveland, Colo. 80538

*Primary Examiner*—Caron D. Veynar  
*Attorney, Agent, or Firm*—Jensen & Puntigam, P.S.

[\*\*] Term: **14 Years**

[57] **CLAIM**

[21] Appl. No.: **29/114,173**

The ornamental design for a flatbread machine, as shown  
and described.

[22] Filed: **Nov. 18, 1999**

[51] **LOC (7) Cl.** ..... **07-02**

[52] **U.S. Cl.** ..... **D7/352**

[58] **Field of Search** ..... D7/323, 352; 99/339,  
99/349, 372, 450; 219/521, 524

**DESCRIPTION**

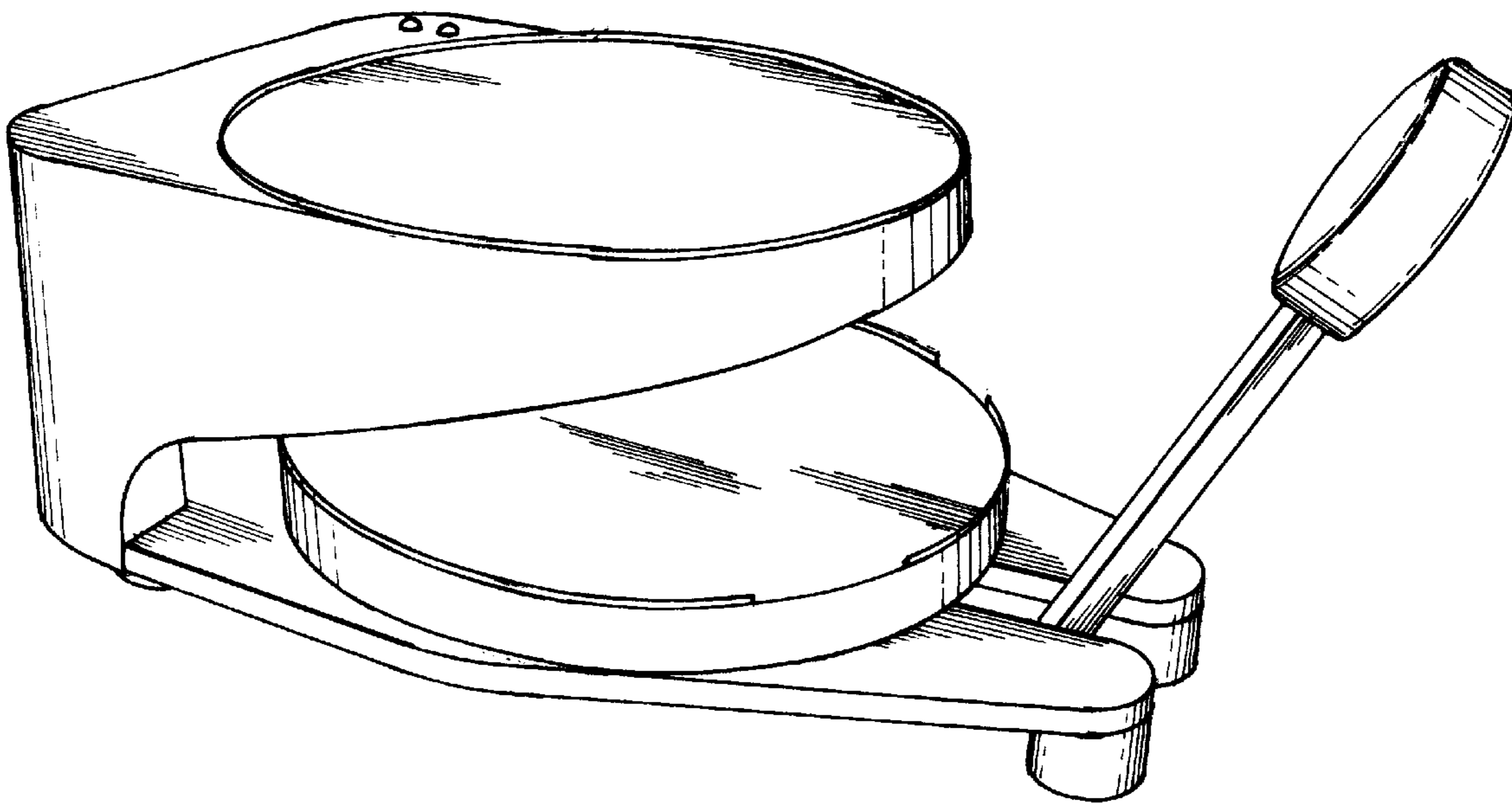
FIG. 1 is an isometric view of a flatbread machine showing  
my new design;  
FIG. 2 is a left side elevational view thereof;  
FIG. 3 is a right side elevational view thereof;  
FIG. 4 is a front elevational view thereof;  
FIG. 5 is a rear elevational view thereof;  
FIG. 6 is a top plan view thereof; and,  
FIG. 7 is a bottom plan view thereof.

[56] **References Cited**

**U.S. PATENT DOCUMENTS**

D. 276,208	11/1984	LaDuca et al.	.....	D7/352
D. 299,609	1/1989	Madl	.....	D7/352
D. 309,844	8/1990	Storsberg	.....	D7/352
2,255,466	9/1941	Jenkins	.....	219/521

**1 Claim, 3 Drawing Sheets**



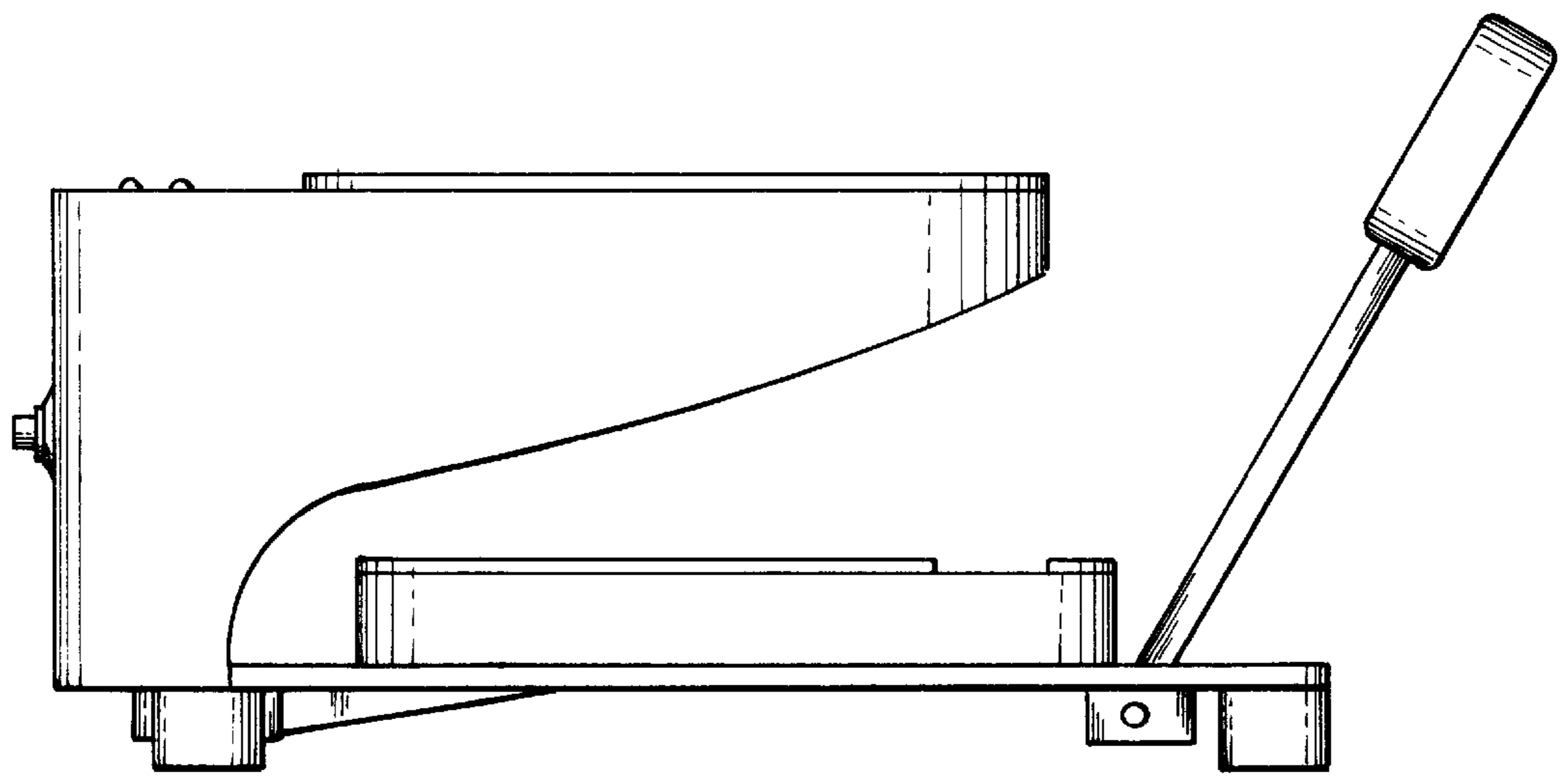
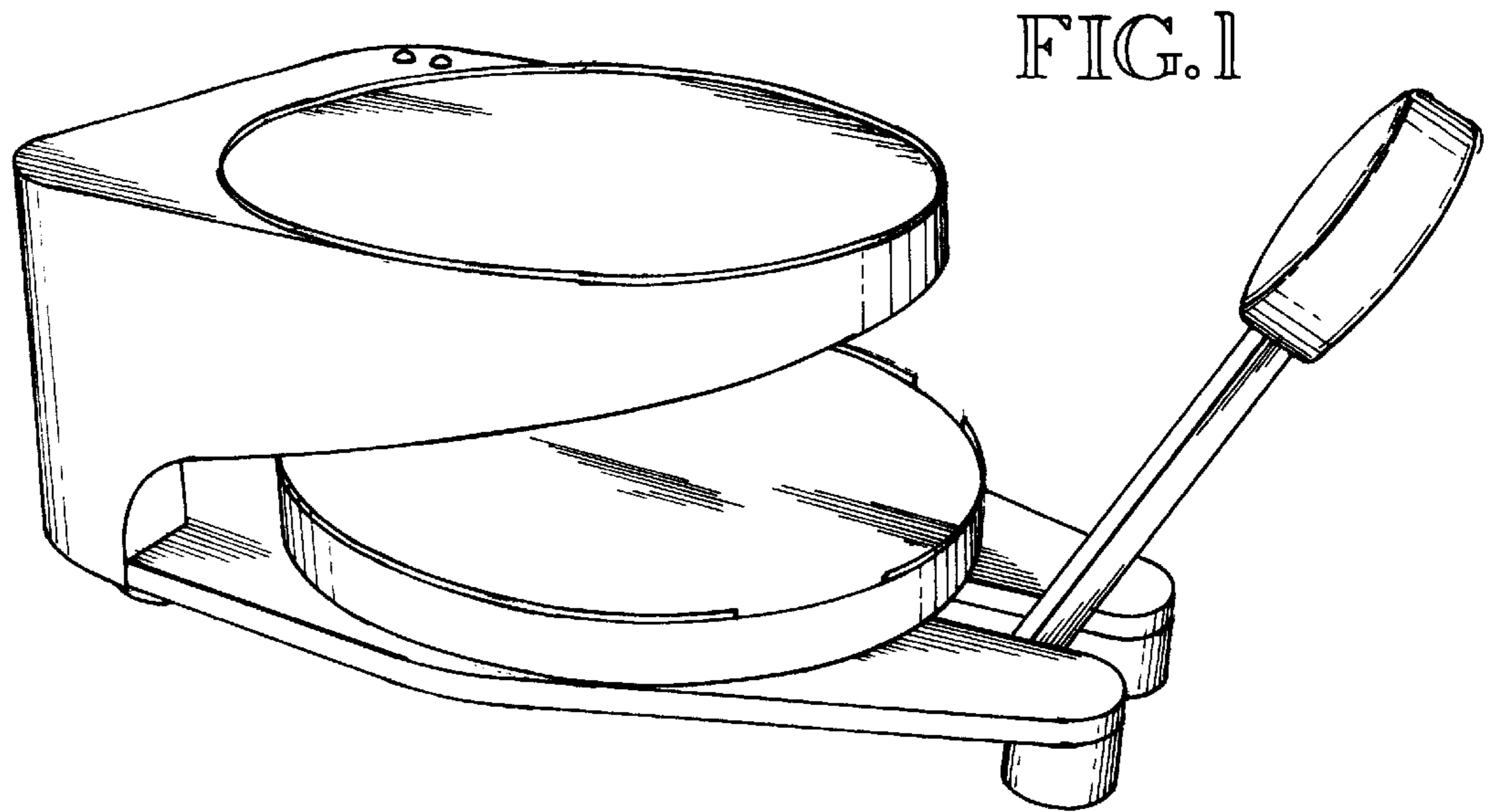


FIG. 2

FIG. 3

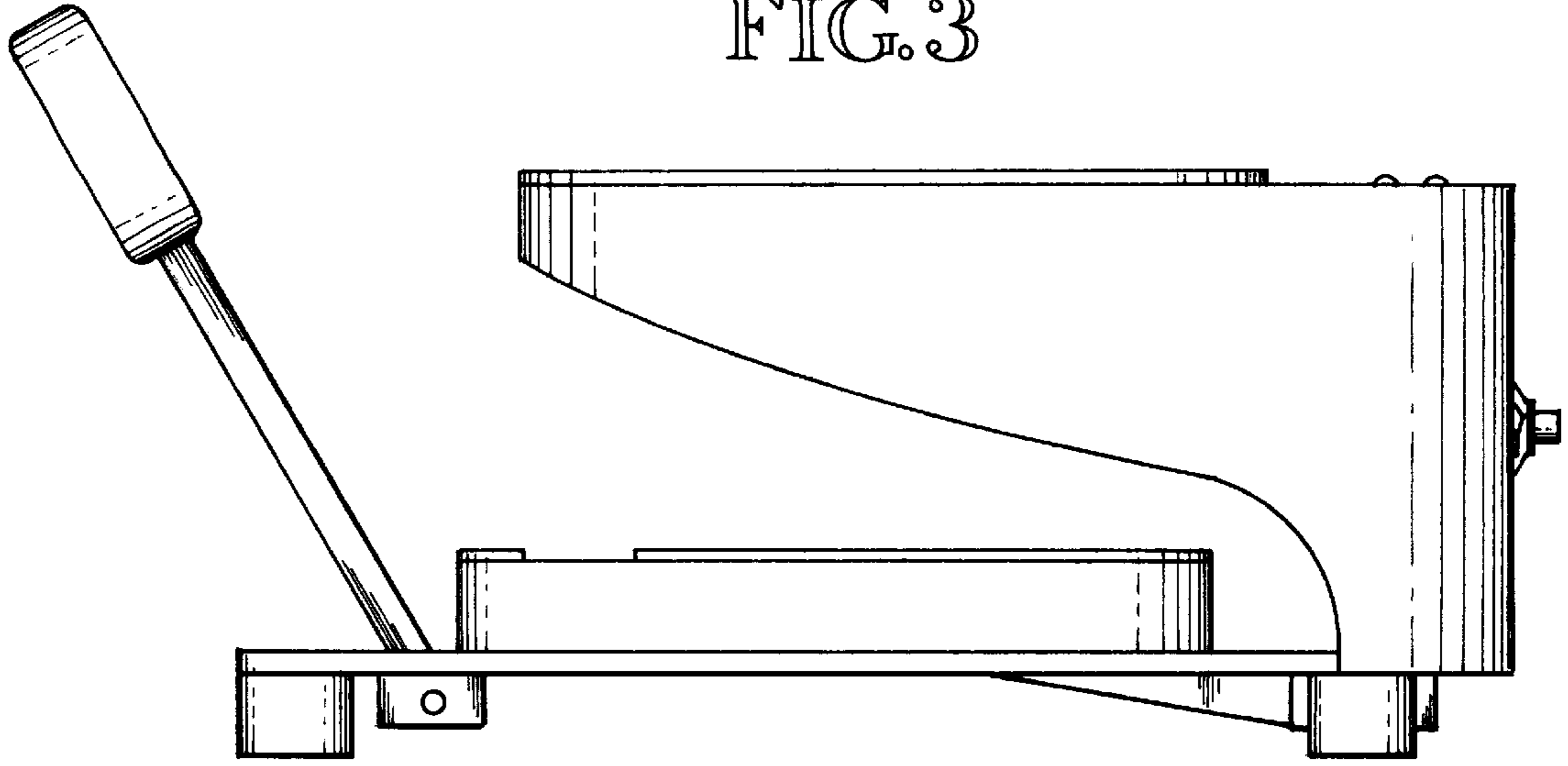


FIG. 4

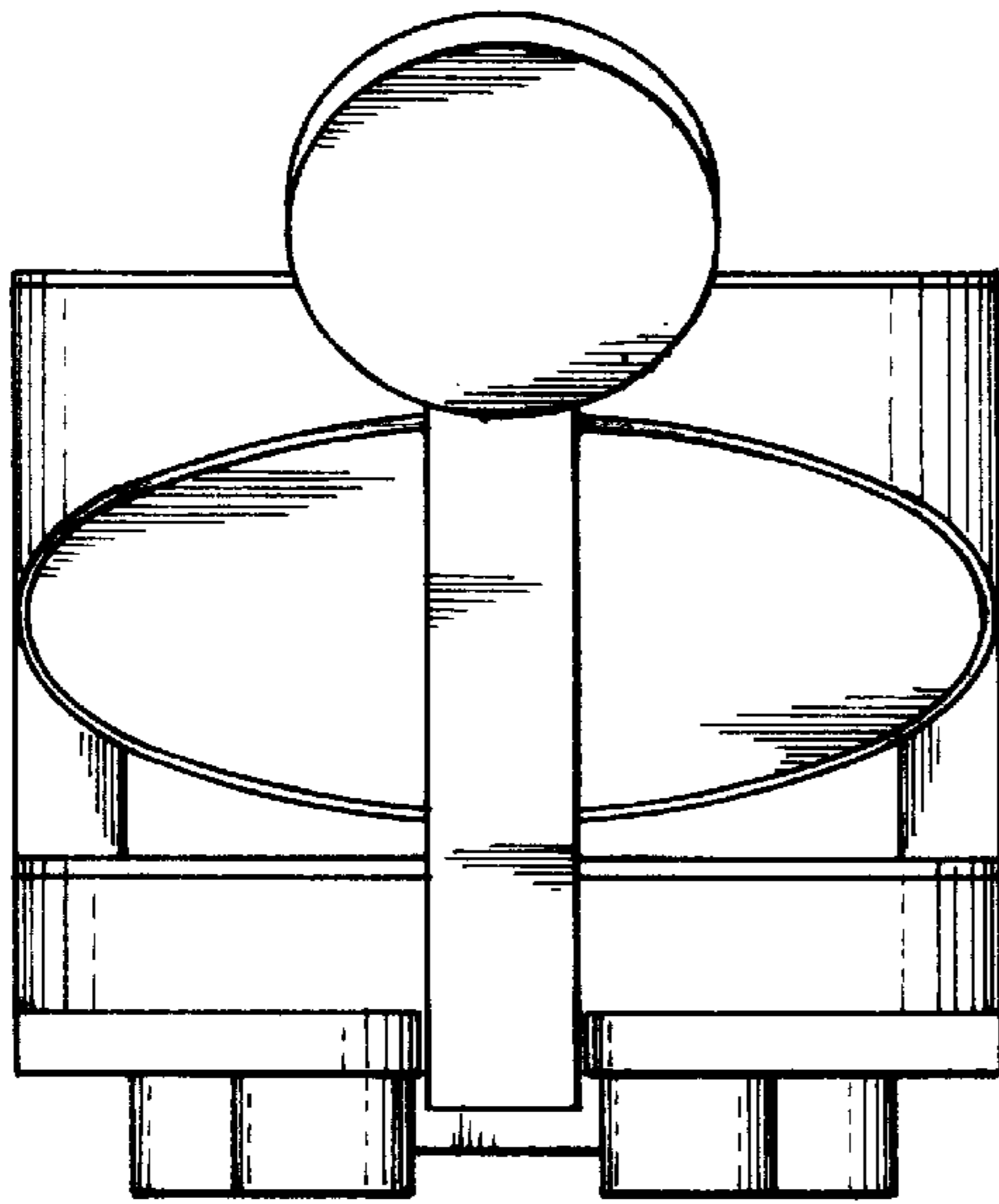


FIG. 5

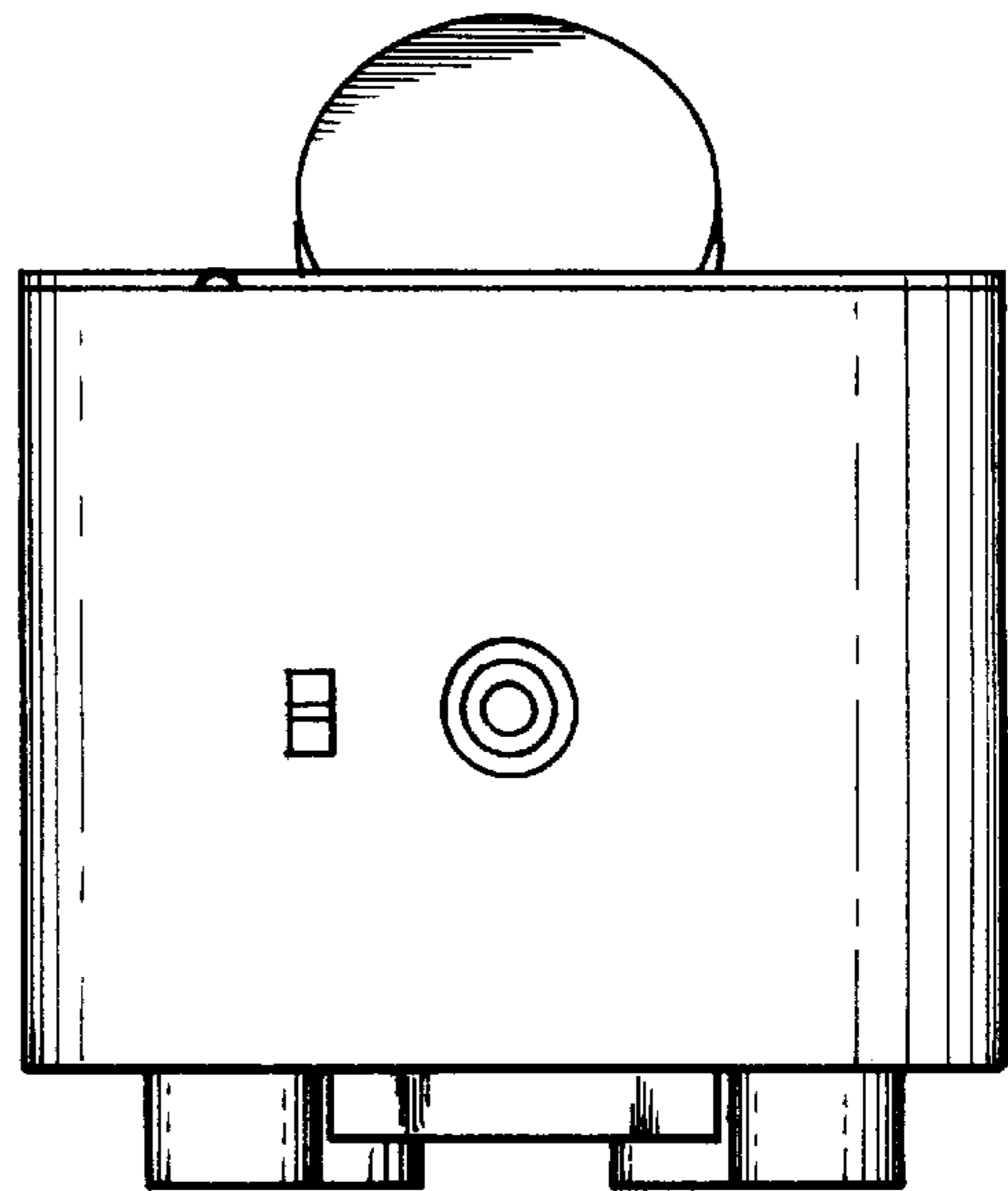


FIG. 6

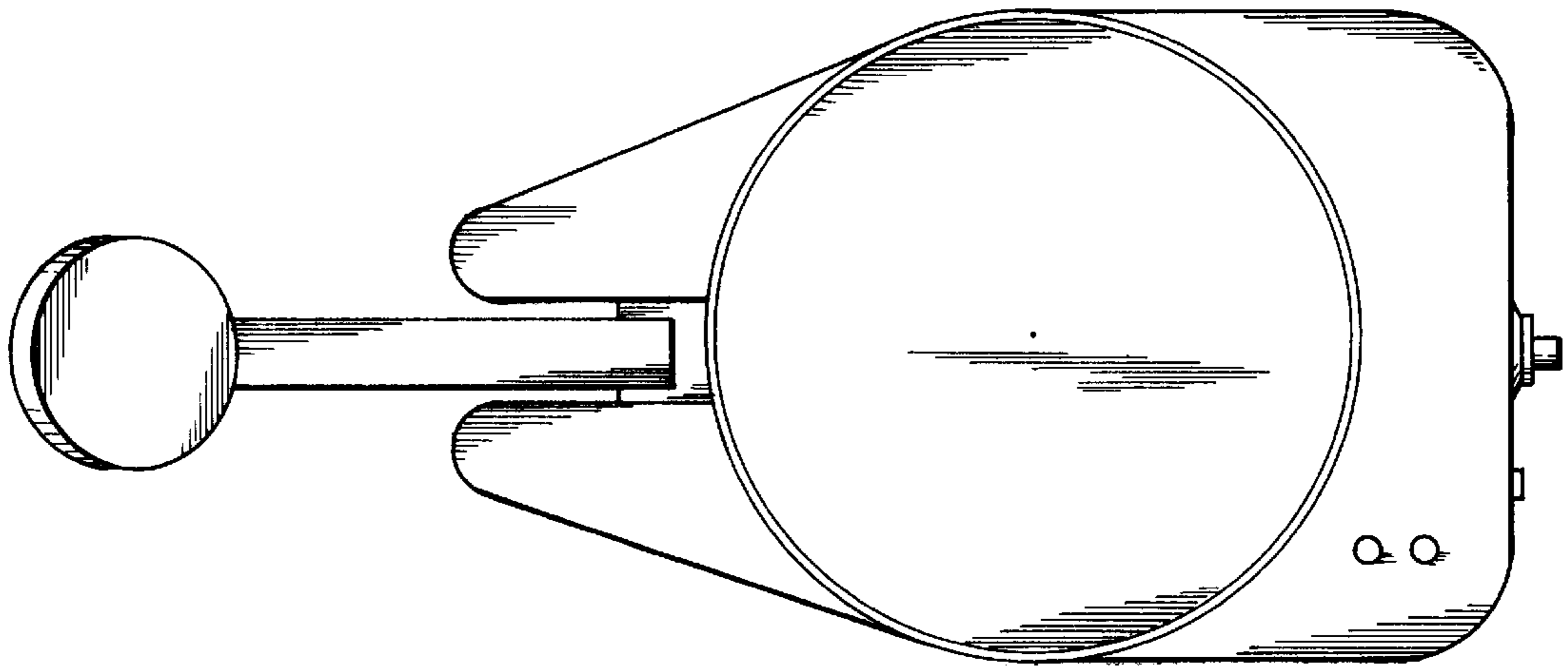


FIG. 7

