



US00D433269S

United States Patent [19] Taira

[11] Patent Number: Des. 433,269

[45] Date of Patent: ** Nov. 7, 2000

[54] MICROWAVE OVEN

[75] Inventor: Tomoki Taira, Osaka-fu, Japan

[73] Assignee: Sharp Kabushiki Kaisha, Osaka, Japan

[**] Term: 14 Years

[21] Appl. No.: 29/120,010

[22] Filed: Mar. 13, 2000

[30] Foreign Application Priority Data

Sep. 17, 1999 [JP] Japan 11-24983

[51] LOC (7) Cl. 07-02

[52] U.S. Cl. D7/351

[58] Field of Search D7/348, 350-351,
D7/354, 402, 323, 360; 126/273 R, 275 R,
275 E, 19 M, 19 R, 21 A; 219/678, 680,
756-758, 400; 99/421 H, 419, 427, 426

[56] References Cited

U.S. PATENT DOCUMENTS

- D. 294,103 2/1988 Katagami et al. D7/350
- D. 294,107 2/1988 Katagami et al. D7/350
- D. 305,597 1/1990 Yoo D7/351
- D. 310,616 9/1990 Murai et al. D7/351
- D. 315,656 3/1991 Kim D7/351
- D. 329,164 9/1992 Edman D7/351
- D. 329,353 9/1992 Yamada .
- D. 334,688 4/1993 Kitae et al. .
- D. 335,064 4/1993 Sugiyama et al. .

- D. 352,636 11/1994 Nakamura .
- D. 353,510 12/1994 Nakamura .
- D. 353,511 12/1994 Saimen .
- D. 353,512 12/1994 Saimen et al. .
- D. 356,006 3/1995 Saimen et al. .
- D. 357,159 4/1995 Mitsui et al. .
- D. 367,991 3/1996 Saimen .
- D. 367,992 3/1996 Saimen .
- D. 368,405 4/1996 Tada .
- D. 368,406 4/1996 Nakamura .
- D. 373,502 9/1996 Fujii et al. .
- D. 390,411 2/1998 Nakagawa .
- D. 390,412 2/1998 Takimoto .
- D. 410,813 6/1999 Fujii .
- D. 410,814 6/1999 Koike .

Primary Examiner—Ruth McInroy
Attorney, Agent, or Firm—Nixon & Vanderhye

[57] CLAIM

The ornamental design for a microwave oven, as shown and described.

DESCRIPTION

FIG. 1 is a top, front and right side perspective view of a microwave oven according to my design;
FIG. 2 is a top plan view thereof;
FIG. 3 is a front elevational view thereof;
FIG. 4 is a right side elevational view thereof;
FIG. 5 is a left side elevational view thereof;
FIG. 6 is a bottom plan view thereof; and,
FIG. 7 is a rear elevational view thereof.

1 Claim, 4 Drawing Sheets

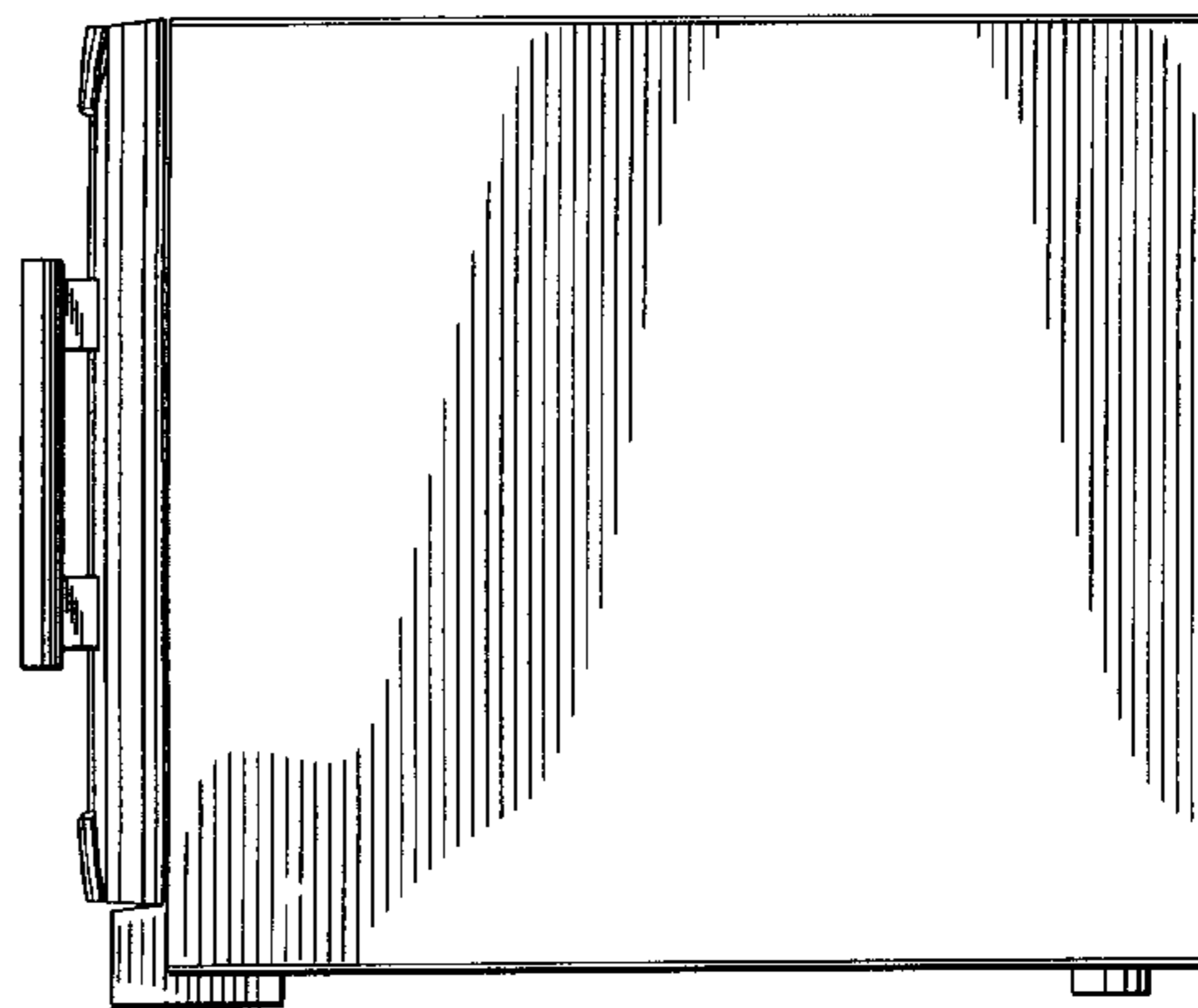
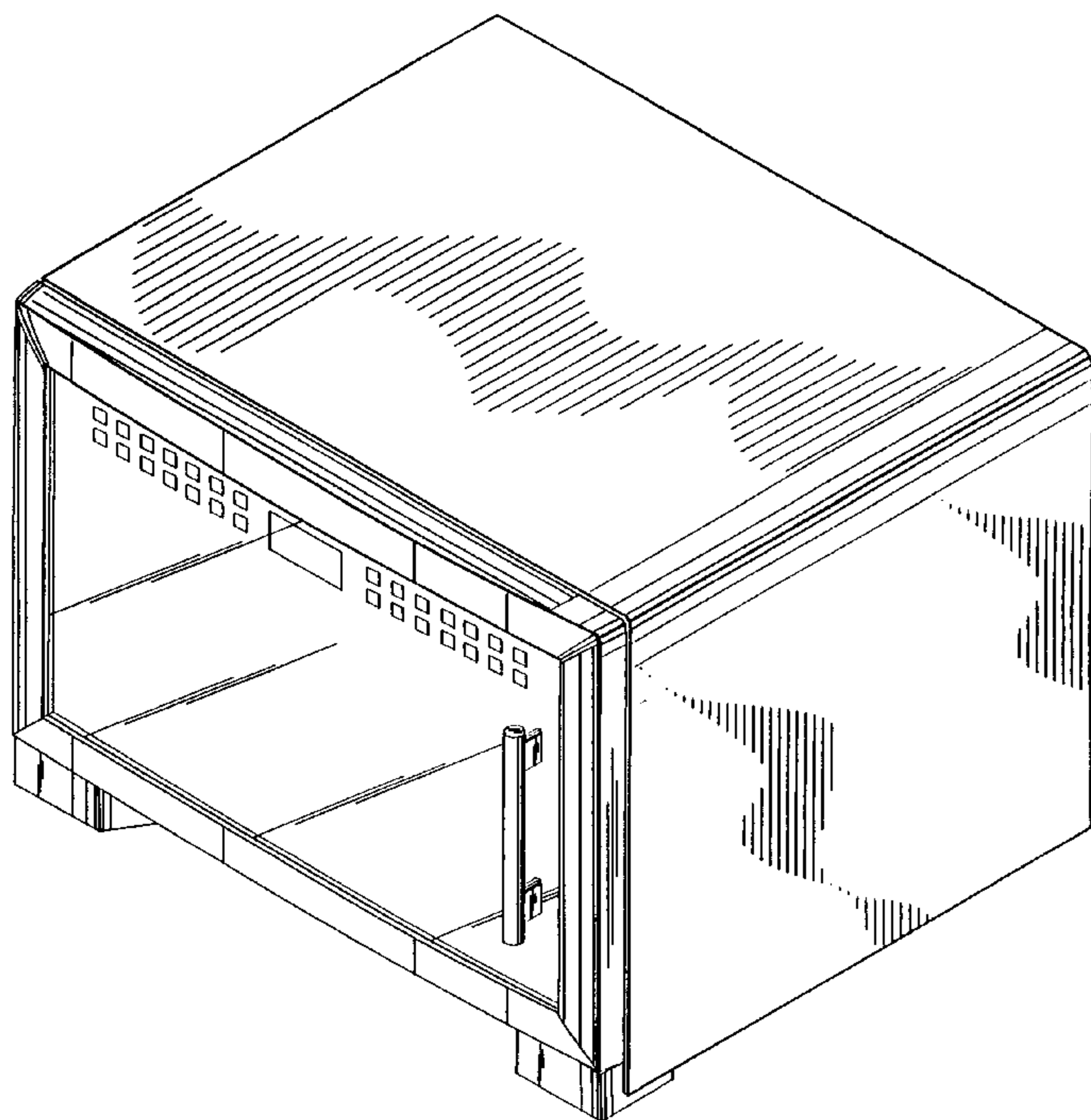


Fig. 1

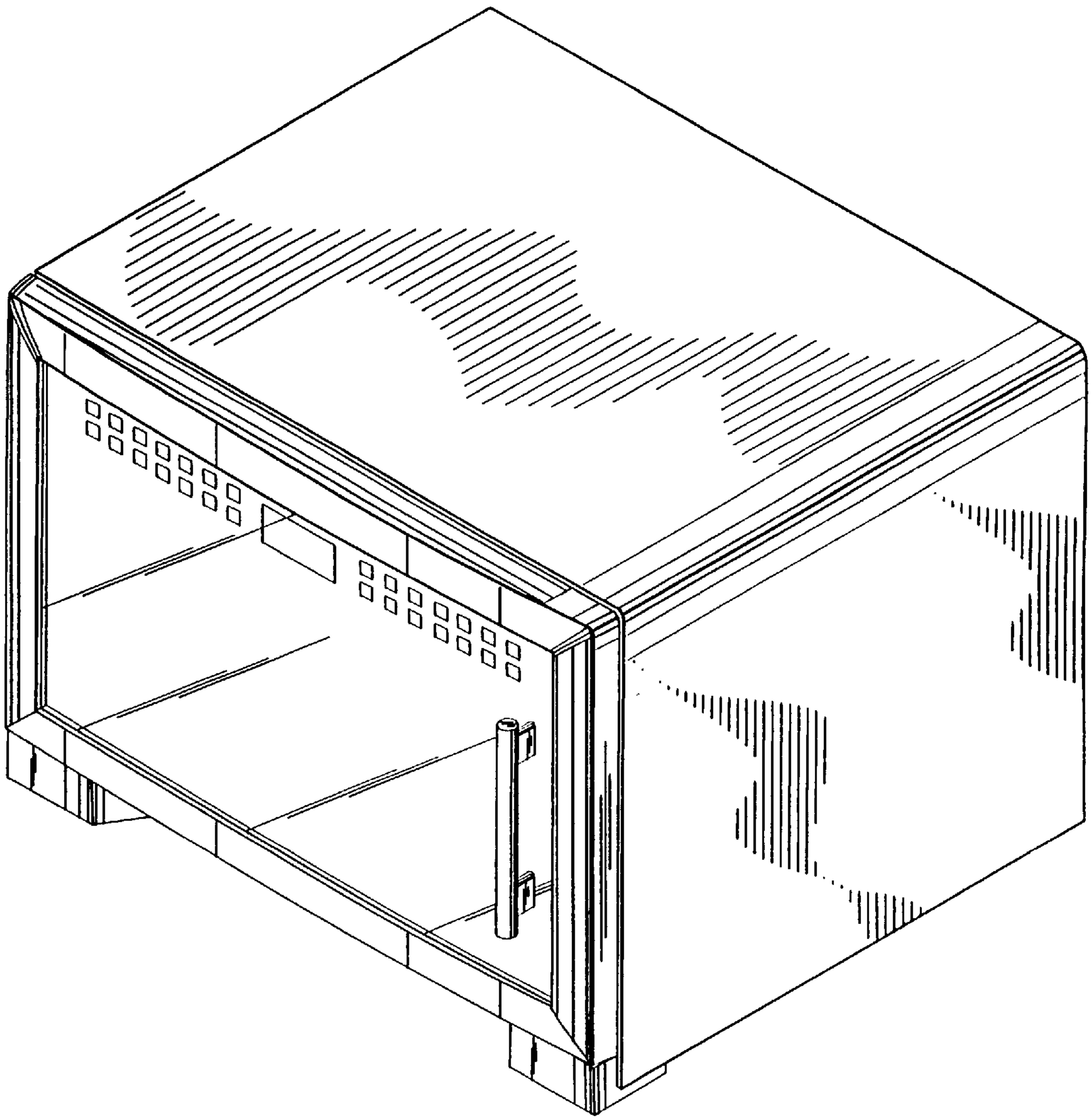


Fig. 2

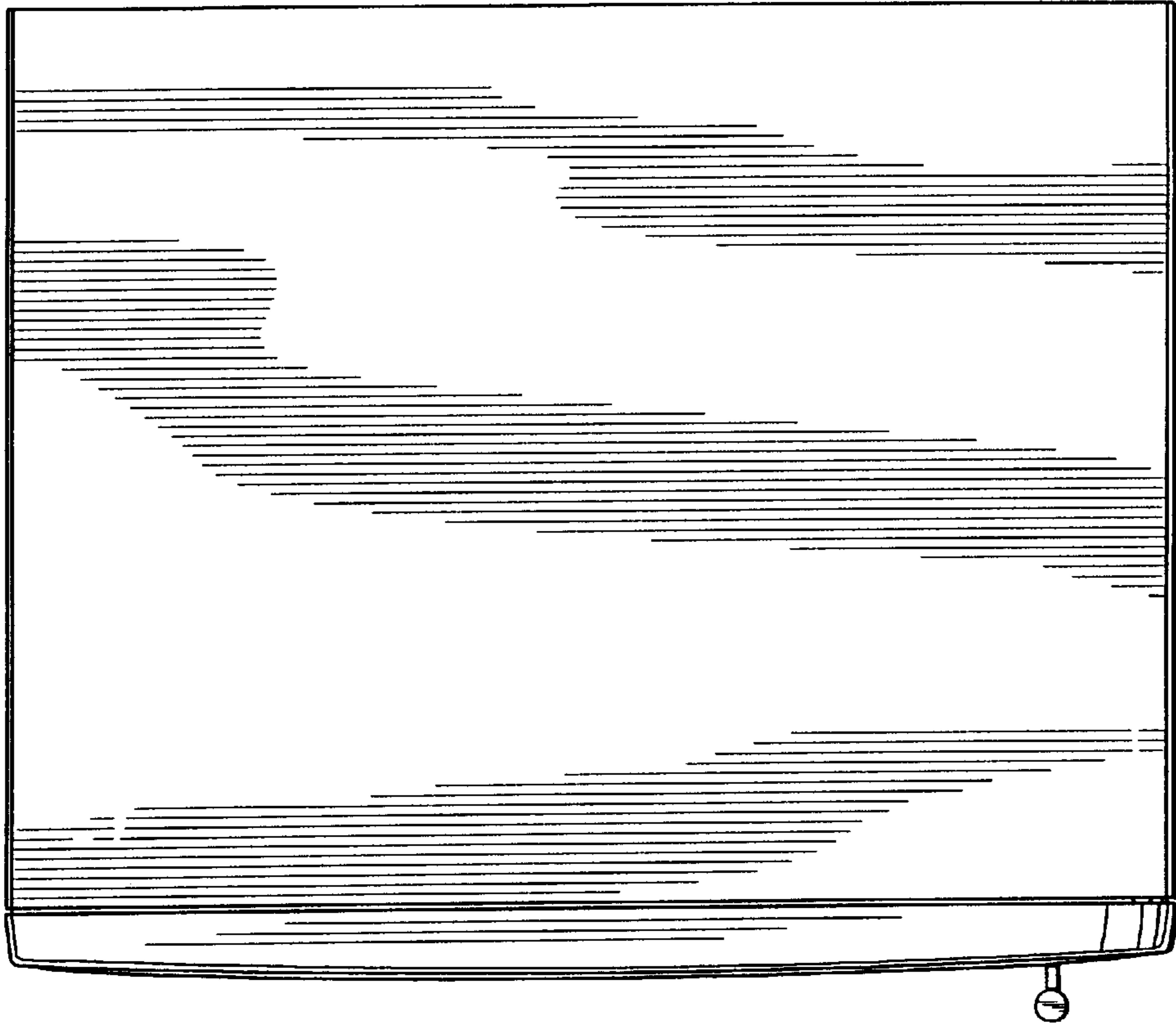
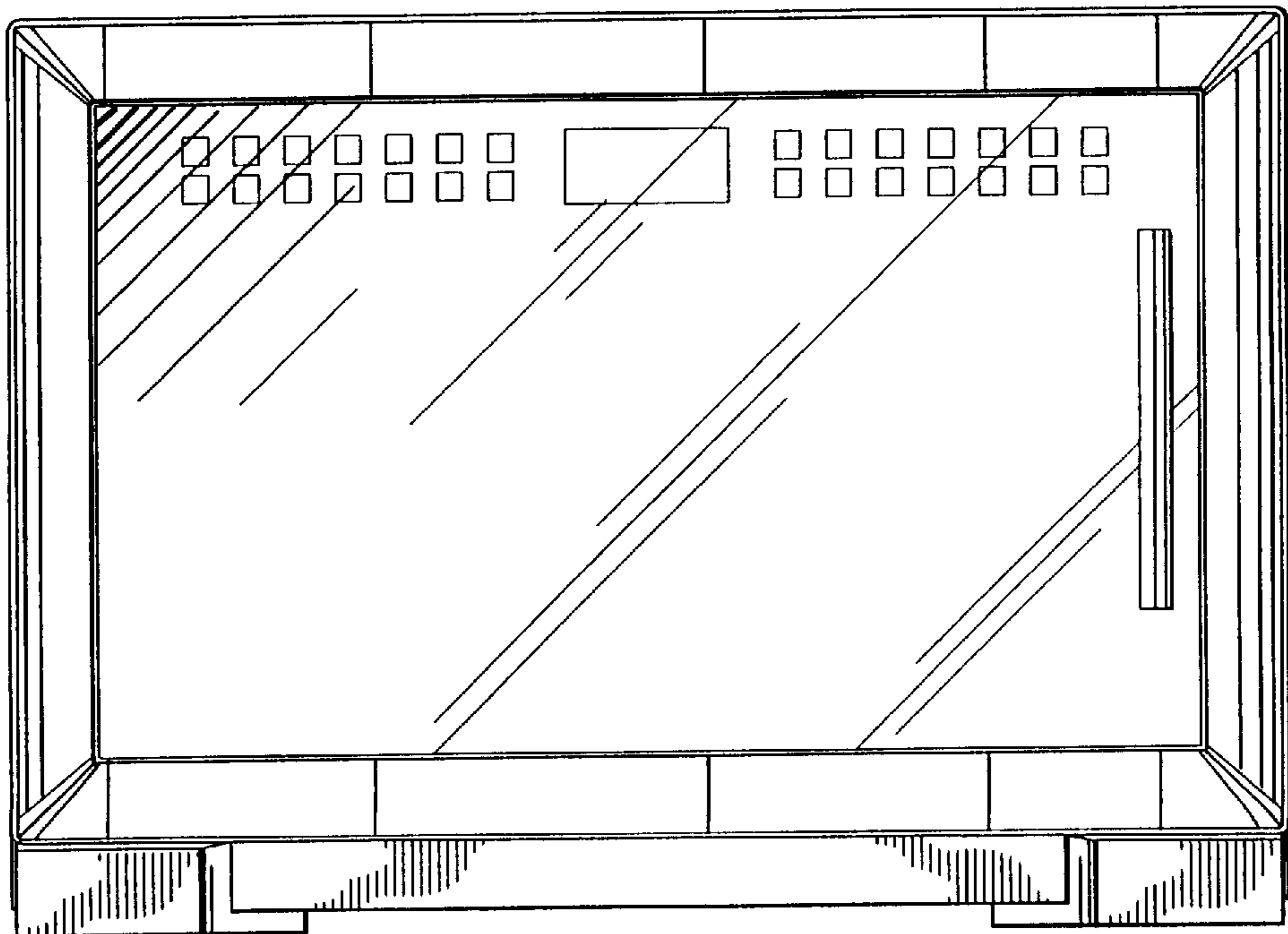


Fig. 3



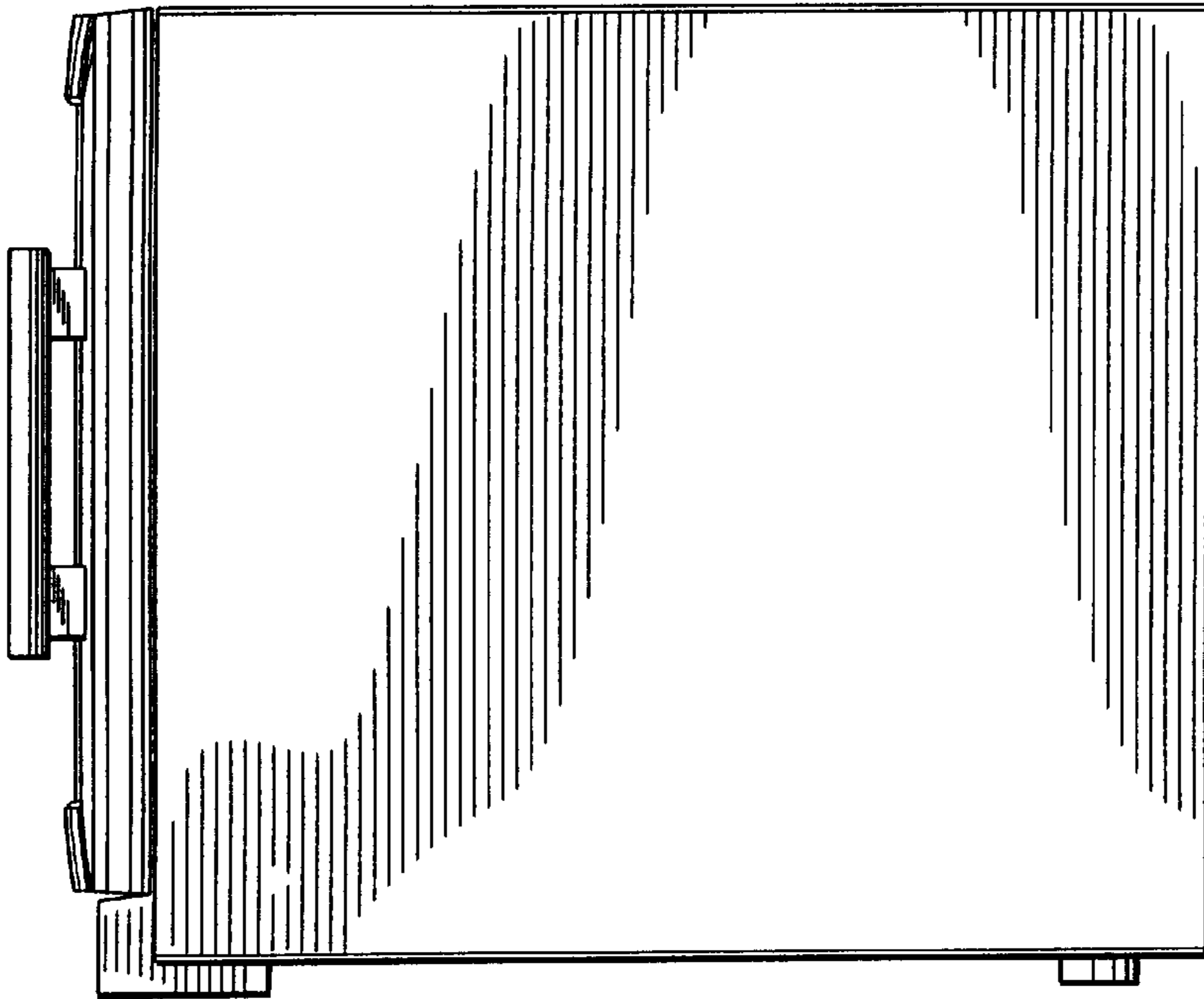


Fig. 4

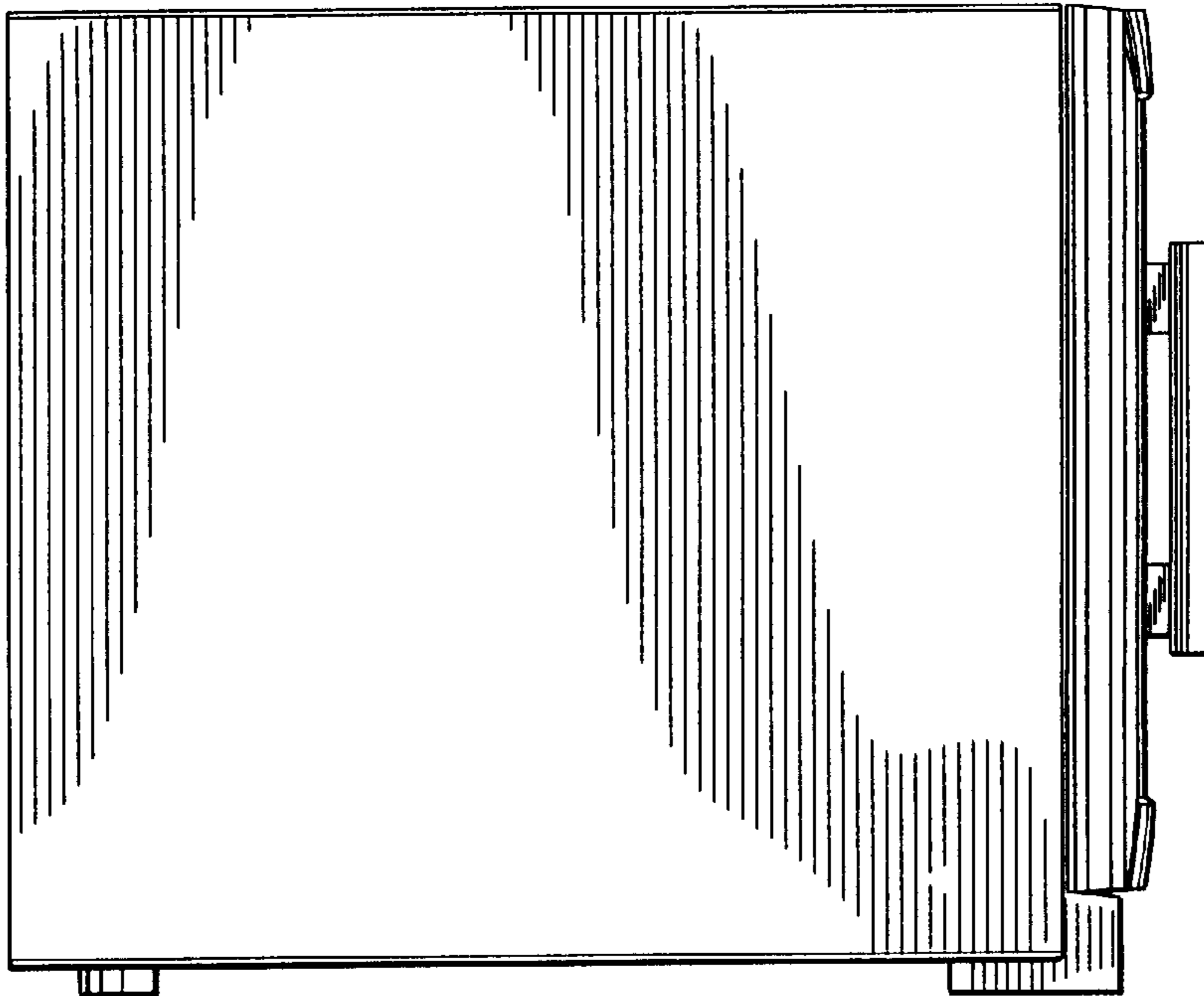


Fig. 5

Fig. 6

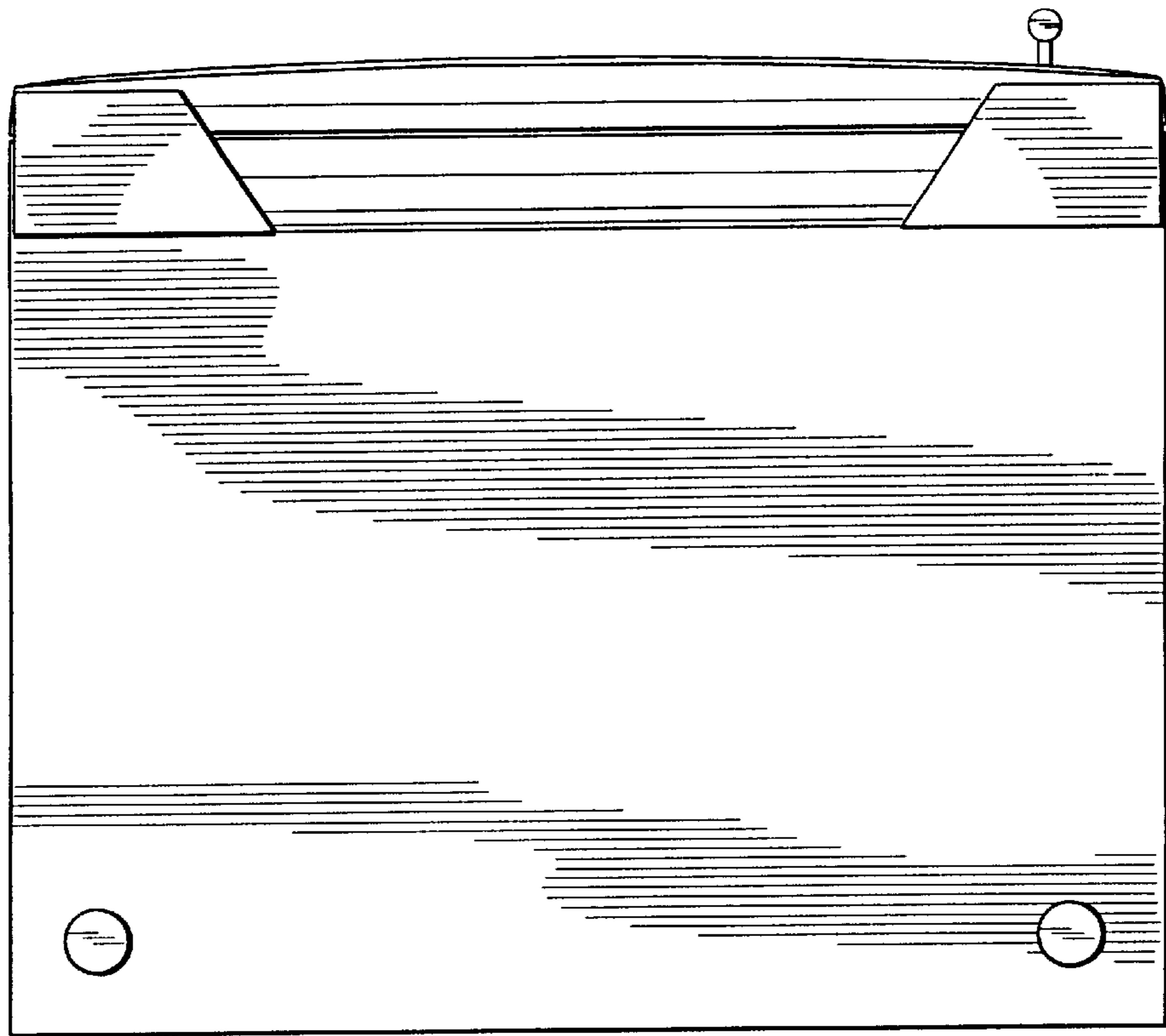


Fig. 7

