



US00D433268S

United States Patent [19] Taira

[11] **Patent Number: Des. 433,268**

[45] **Date of Patent: ** Nov. 7, 2000**

[54] **MICROWAVE OVEN**

[75] Inventor: **Tomoki Taira**, Osaku-fu, Japan

[73] Assignee: **Sharp Kabushiki Kaisha**, Osaka, Japan

[**] Term: **14 Years**

[21] Appl. No.: **29/119,118**

[22] Filed: **Feb. 24, 2000**

[30] Foreign Application Priority Data

Sep. 17, 1999 [JP] Japan 11-24984

[51] **LOC (7) Cl.** **07-02**

[52] **U.S. Cl.** **D7/351**

[58] **Field of Search** D7/348, 350-351,
D7/354, 402, 323, 360; 126/273 R, 275 R,
275 E, 19 M, 19 R, 21 A; 219/678, 680,
756-758, 400; 99/421 H, 419, 427, 426

[56] References Cited

U.S. PATENT DOCUMENTS

D. 294,103 2/1988 Katagami et al. D7/350

D. 294,107 2/1988 Katagami et al. D7/350
D. 305,597 1/1990 Yoo D7/351
D. 310,616 9/1990 Murai et al. D7/351
D. 315,656 3/1991 Kim D7/351
D. 329,164 9/1992 Edman D7/351

Primary Examiner—Ruth McInroy
Attorney, Agent, or Firm—Nixon & Vanderhye

[57] CLAIM

The ornamental design for a microwave oven, as shown and described.

DESCRIPTION

FIG. 1 is a top, front and right side perspective view of a microwave oven showing my new design;
FIG. 2 is a top plan view thereof;
FIG. 3 is a front elevational view thereof;
FIG. 4 is a right side elevational view thereof;
FIG. 5 is a left side elevational view thereof;
FIG. 6 is a bottom plan view thereof; and,
FIG. 7 is a rear elevational view thereof.

1 Claim, 4 Drawing Sheets

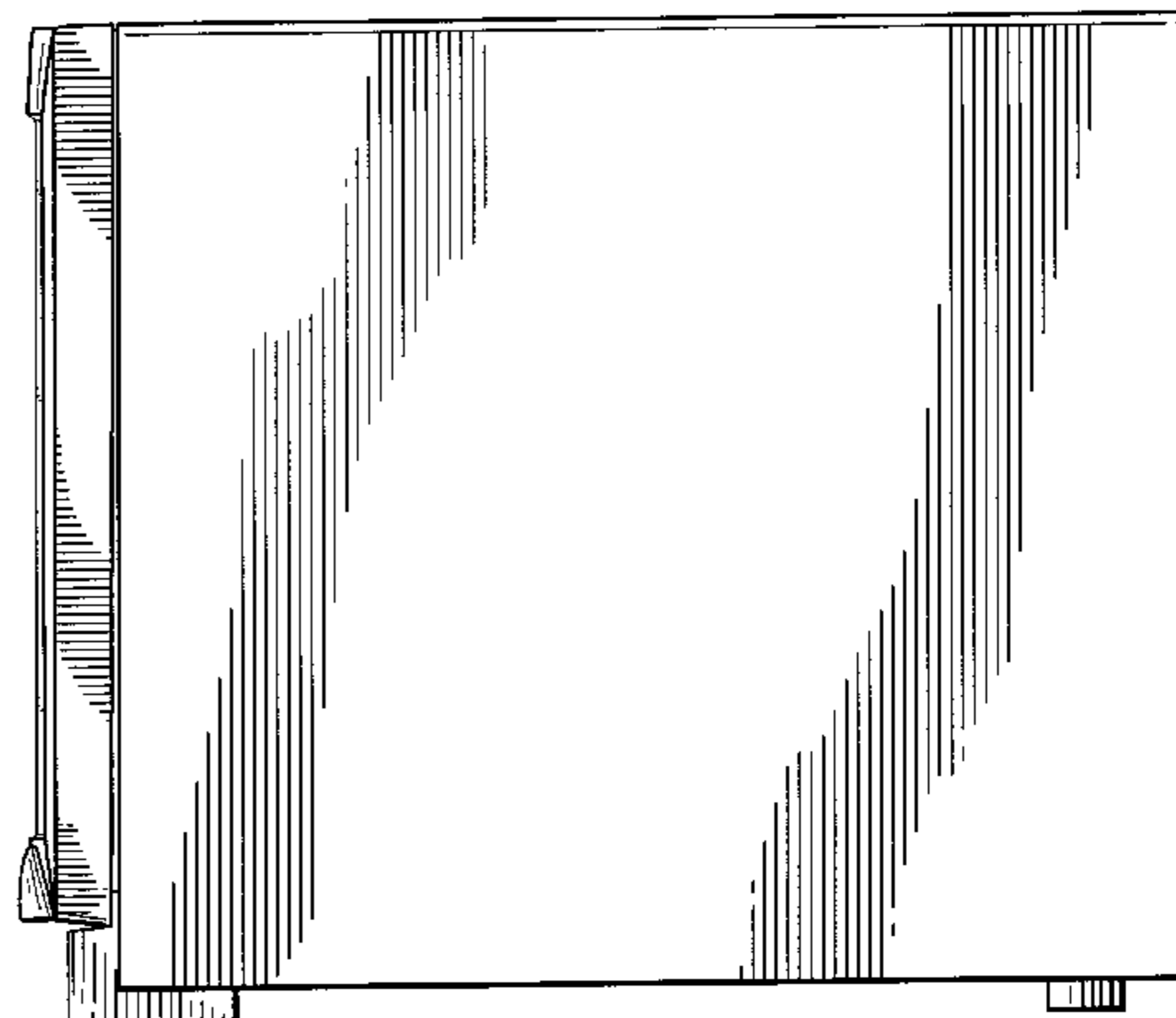
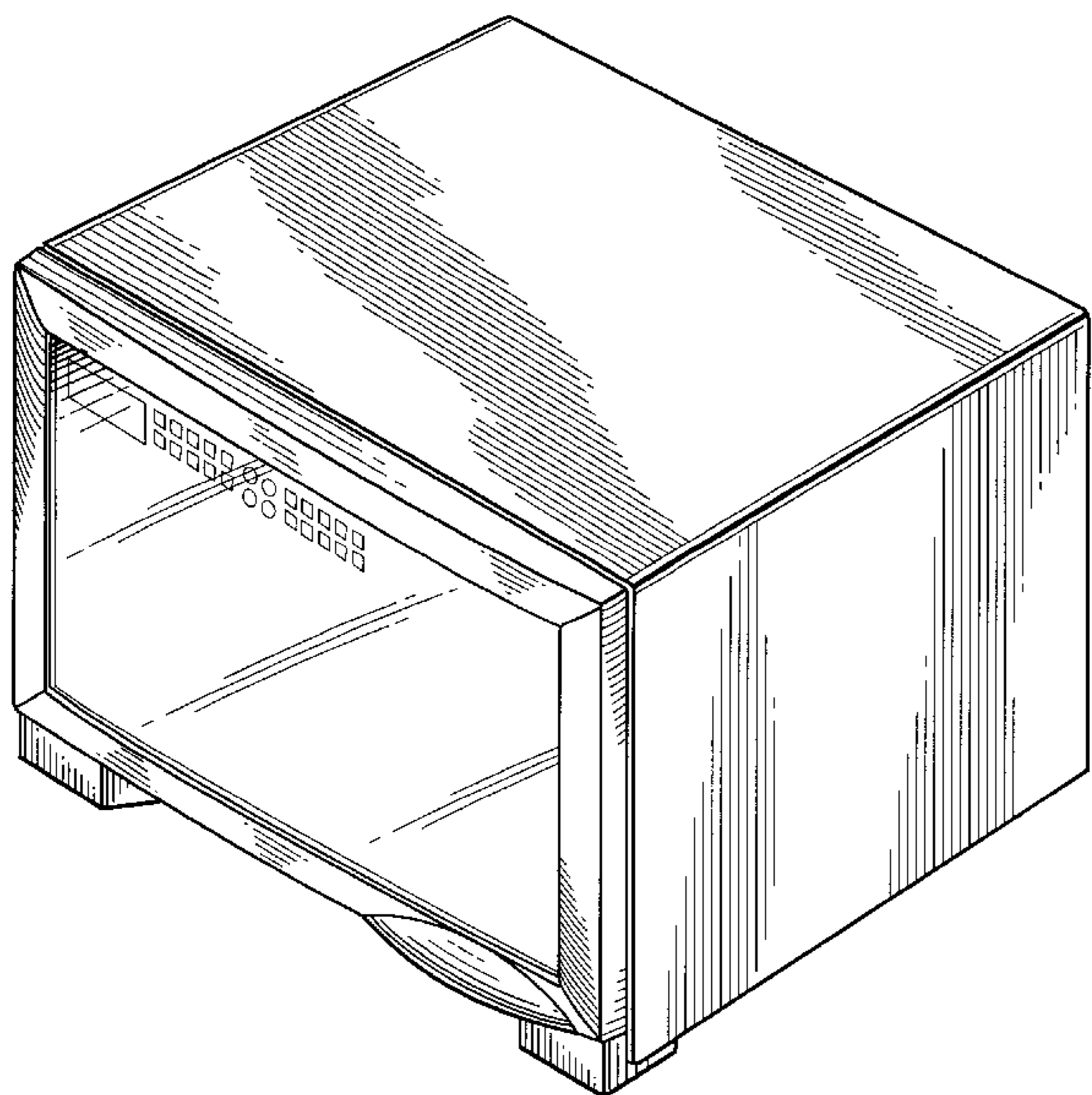


Fig. 1

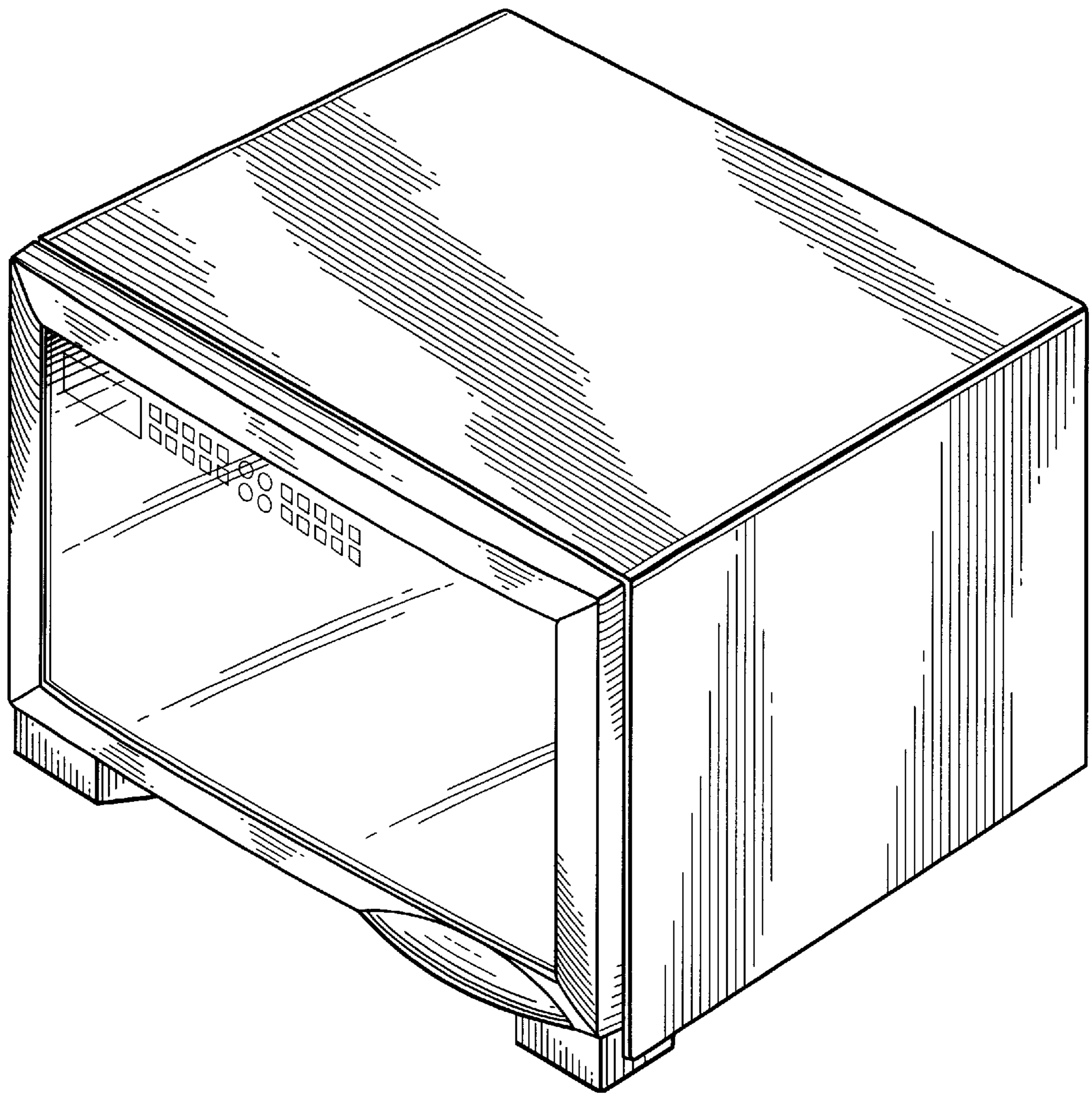


Fig. 2



Fig. 3

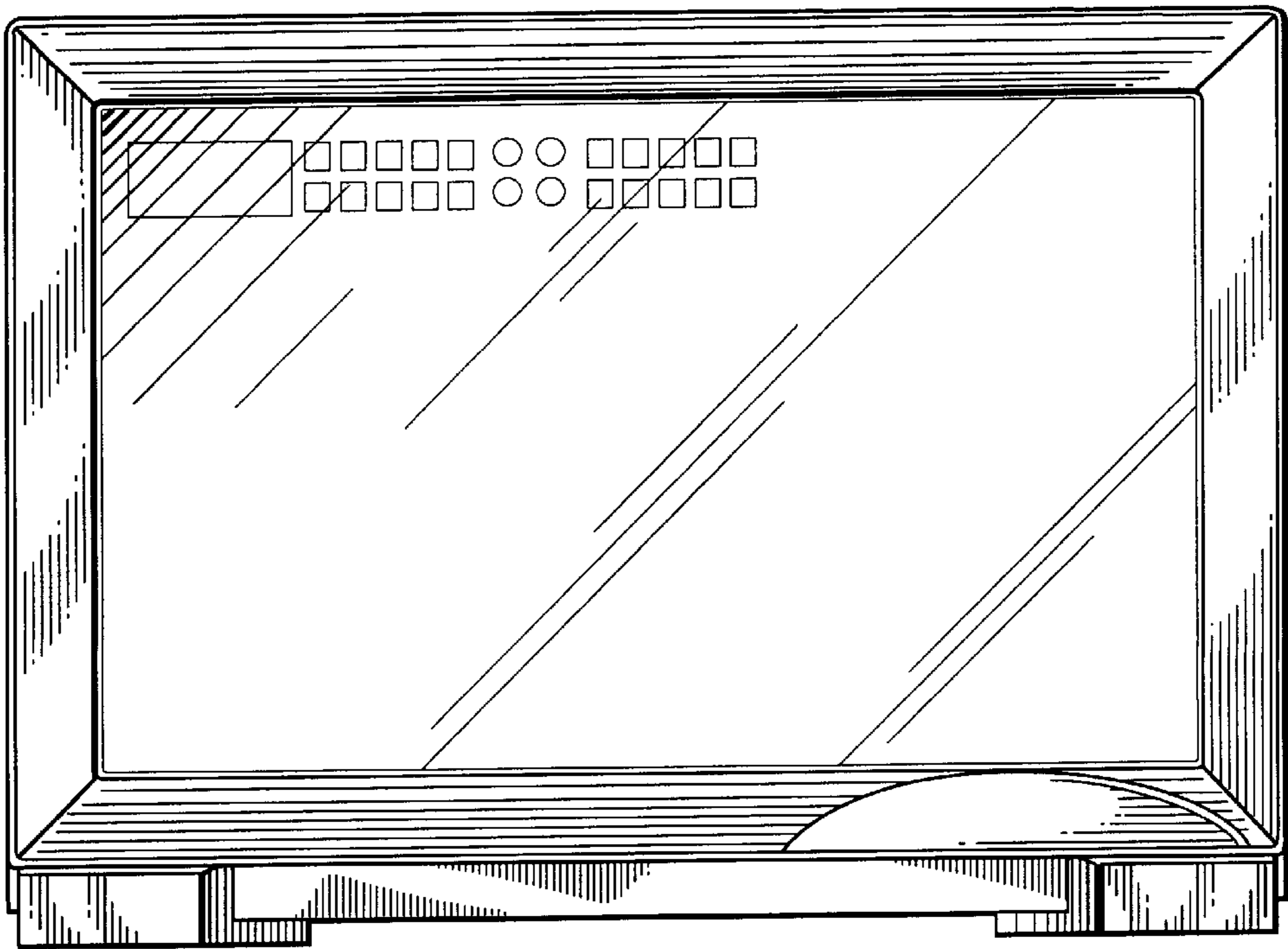


Fig. 4

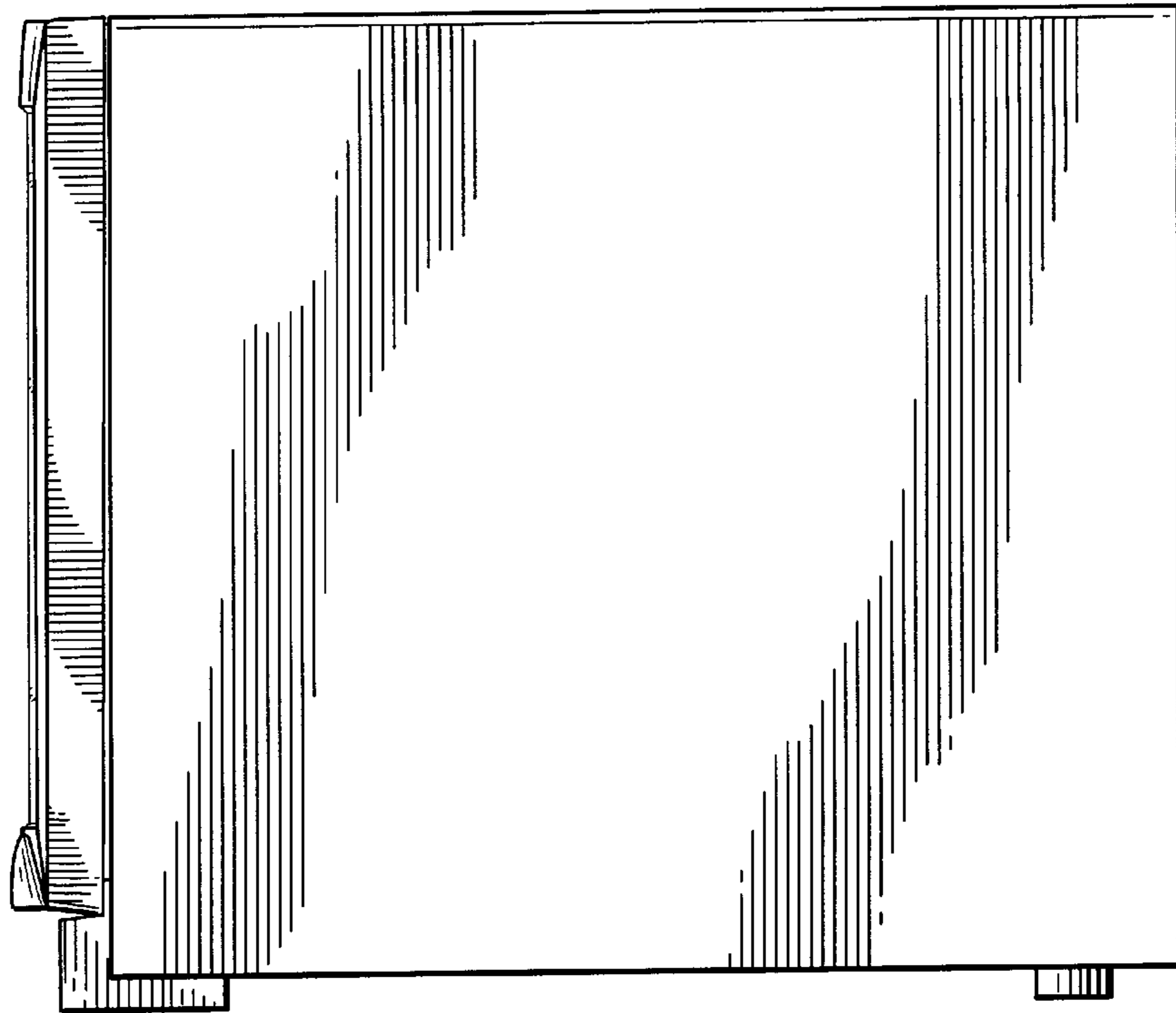


Fig. 5

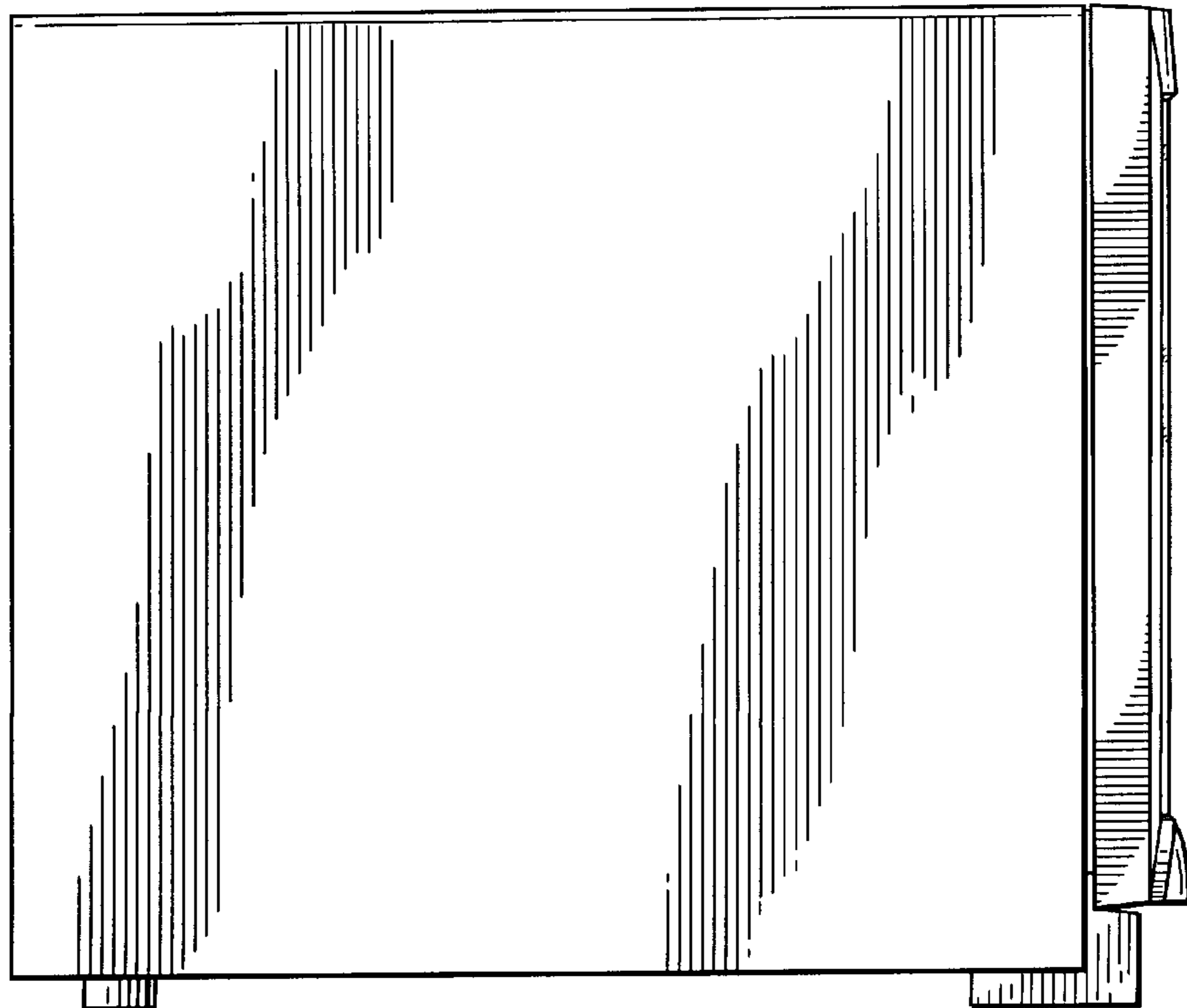


Fig. 6

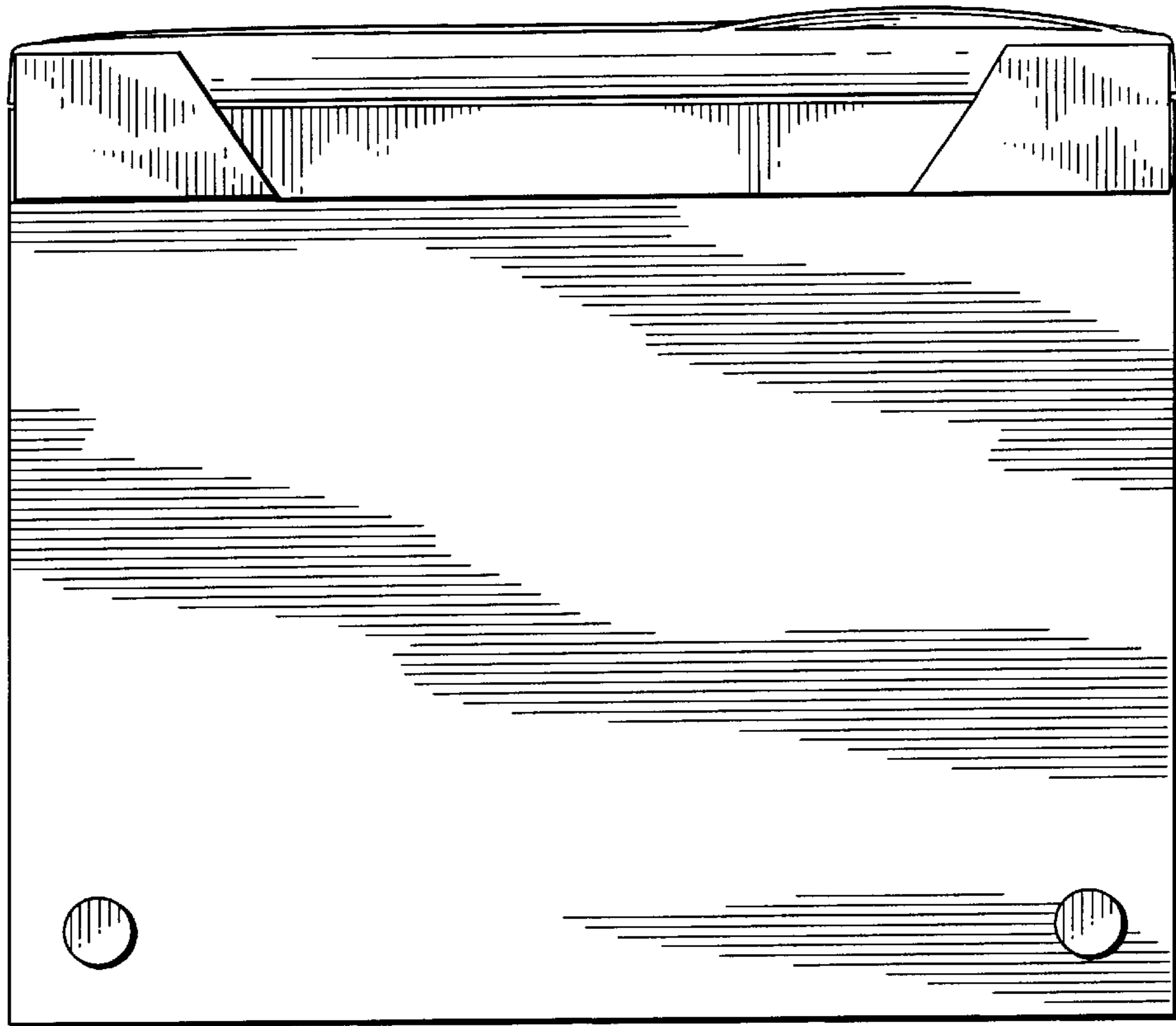


Fig. 7

