



US00D433266S

United States Patent [19]

Peterson et al.

[11] Patent Number: Des. 433,266

[45] Date of Patent: ** Nov. 7, 2000

[54] DISK STORAGE CONTAINER

[75] Inventors: James N. Peterson, North Canton; James M. Byrne, Massillon; Kevin E. Myszka, Kent; James K. Sankey, Hudson, all of Ohio; Jesus Cordero, Totowa, N.J.

[73] Assignee: AEI Acquisition, LLC, North Canton, Ohio

[**] Term: 14 Years

[21] Appl. No.: 29/119,436

[22] Filed: Feb. 29, 2000

[51] LOC (7) Cl. 06-04

[52] U.S. Cl. D6/634; D6/407; D6/632

[58] Field of Search D3/201; D6/407, D6/408, 626-635, 124; D14/26, 27; D19/32, 33, 74, 89; D27/340, 360; 40/626, 771, 775, 307; 150/149; 132/312; 206/307, 232, 308.1, 308.3, 309, 311, 312, 313, 387.13, 396, 408, 730, 755; 229/67.1, 68.1, 70-72; 340/572.5

[56] **References Cited**

U.S. PATENT DOCUMENTS

D. 285,503	9/1986	Weiner	D6/634
D. 318,368	7/1991	Evans	D6/634
D. 335,215	5/1993	Stumpff	D6/634
D. 378,333	3/1997	Anderson	D6/632
D. 385,145	10/1997	VerWeyst et al.	D6/632
D. 420,240	2/2000	Sorenson et al.	D6/632
4,903,829	2/1990	Clemens	206/308.1
5,081,446	1/1992	Gill et al.	340/572.5
5,101,971	4/1992	Grobecker	206/232
5,366,073	11/1994	Turrentine et al.	206/309

5,505,299	4/1996	Ditzig et al.	206/308.1
5,511,659	4/1996	Bosworth	206/308.1
5,549,199	8/1996	Lindsay	206/308.1
5,573,120	11/1996	Kaufman et al.	206/755
5,743,390	4/1998	Pozzoli	206/232
5,769,217	6/1998	Derragh et al.	206/308.1
5,819,928	10/1998	Wynalda, Jr.	206/308.1
5,839,575	11/1998	Blanco	206/232
5,839,576	11/1998	Kim	206/308.1
6,056,117	5/2000	Courchesne	206/308.1

Primary Examiner—Celia Murphy
Attorney, Agent, or Firm—Sand & Sebolt

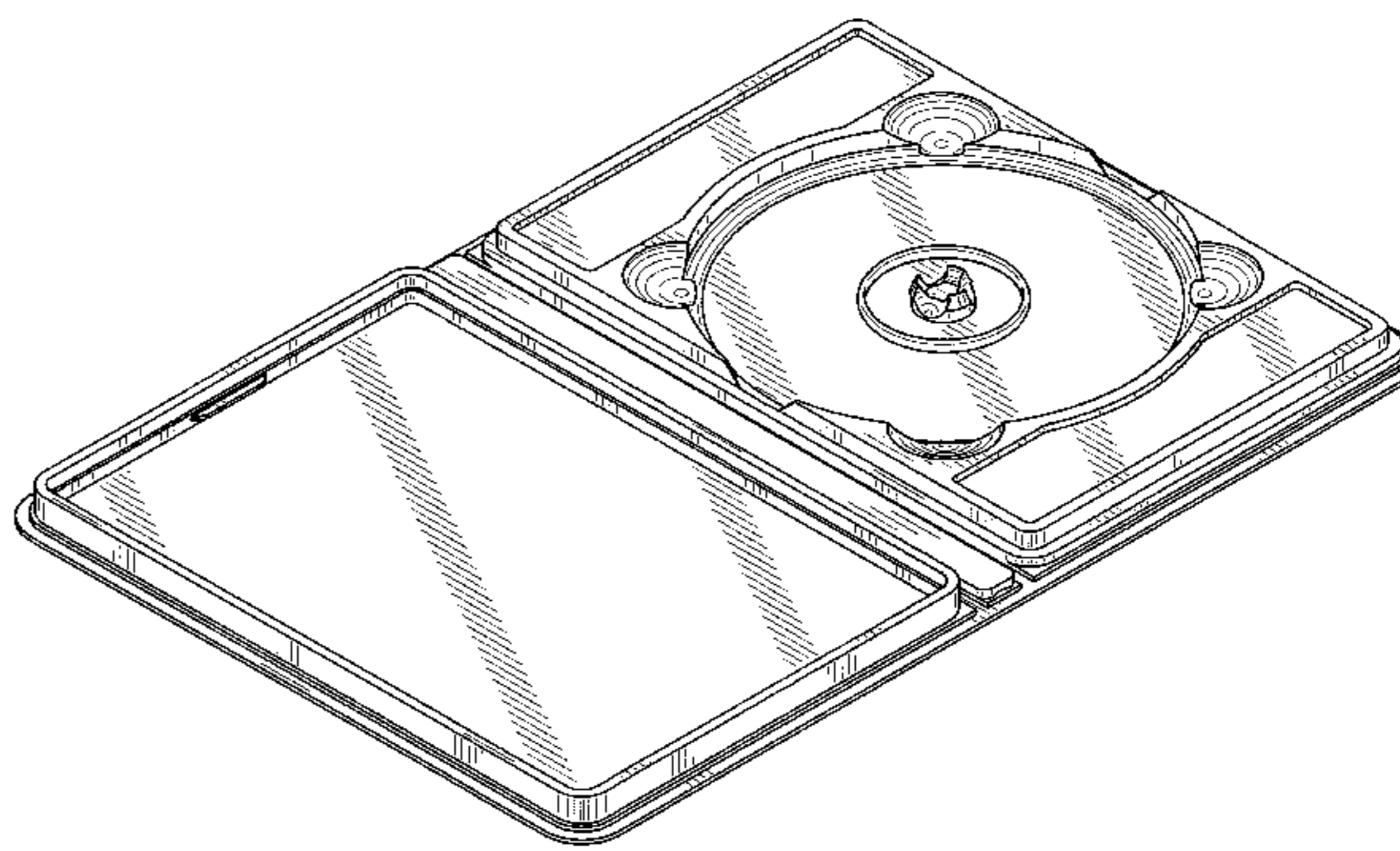
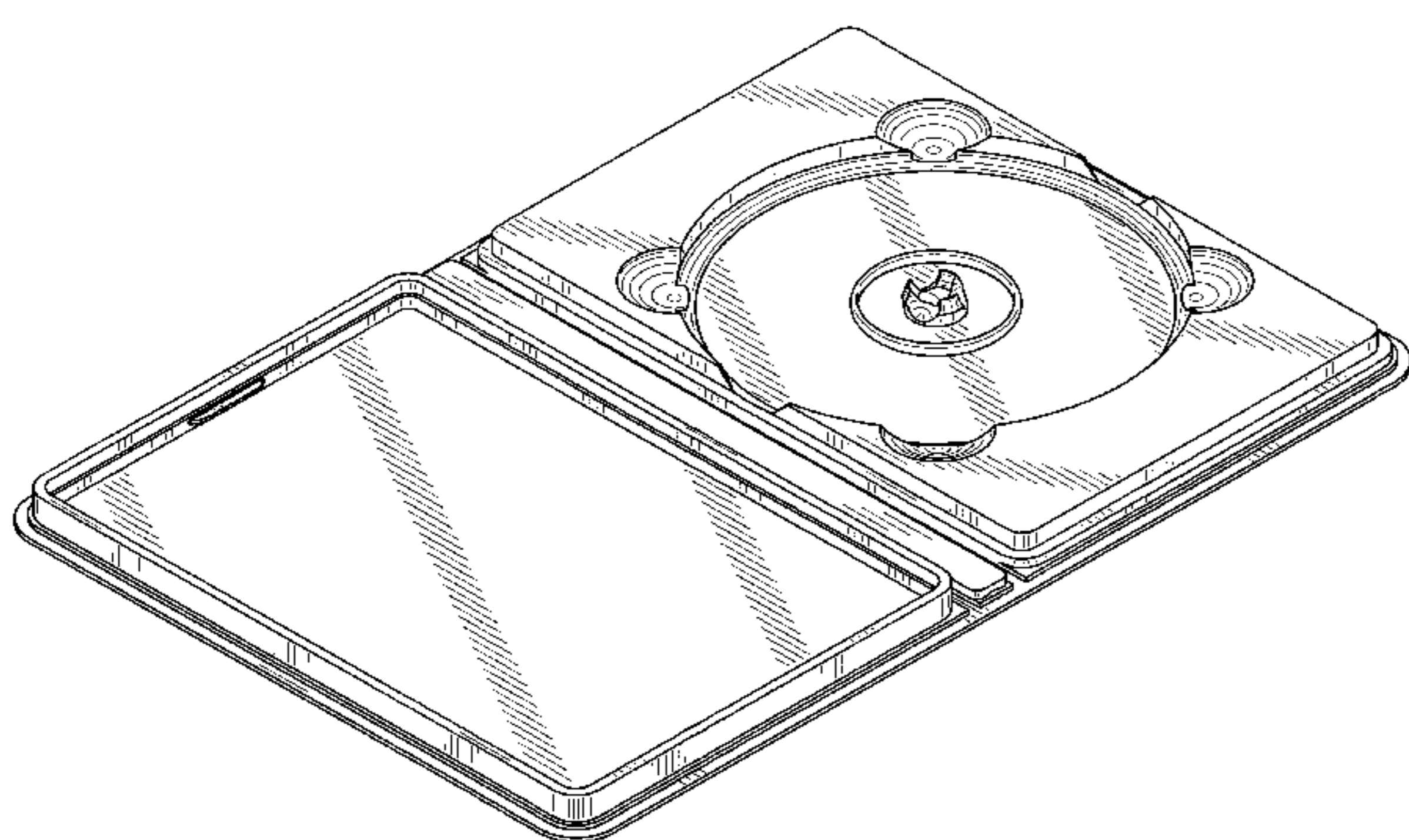
[57] **CLAIM**

The ornamental design for disk storage container, as shown and described.

DESCRIPTION

FIG. 1 is a perspective view of the disk storage container of the present invention;
 FIG. 2 is a top plan view of FIG. 1;
 FIG. 3 is a rear view of FIG. 2;
 FIG. 4 is a front elevational view of FIG. 2;
 FIG. 5 is a left side elevational view of FIG. 2;
 FIG. 6 is a right side elevational view of FIG. 2;
 FIG. 7 is a bottom plan view of FIG. 2;
 FIG. 8 is a perspective view of a second embodiment of the disk storage container of FIG. 1;
 FIG. 9 is a top plan view of the disk storage container of FIG. 8;
 FIG. 10 is a rear view of FIG. 9;
 FIG. 11 is a front elevational view of FIG. 9;
 FIG. 12 is a left side elevational view of FIG. 9;
 FIG. 13 is a right side elevational view of FIG. 9; and,
 FIG. 14 is a bottom plan view of FIG. 9.

1 Claim, 8 Drawing Sheets



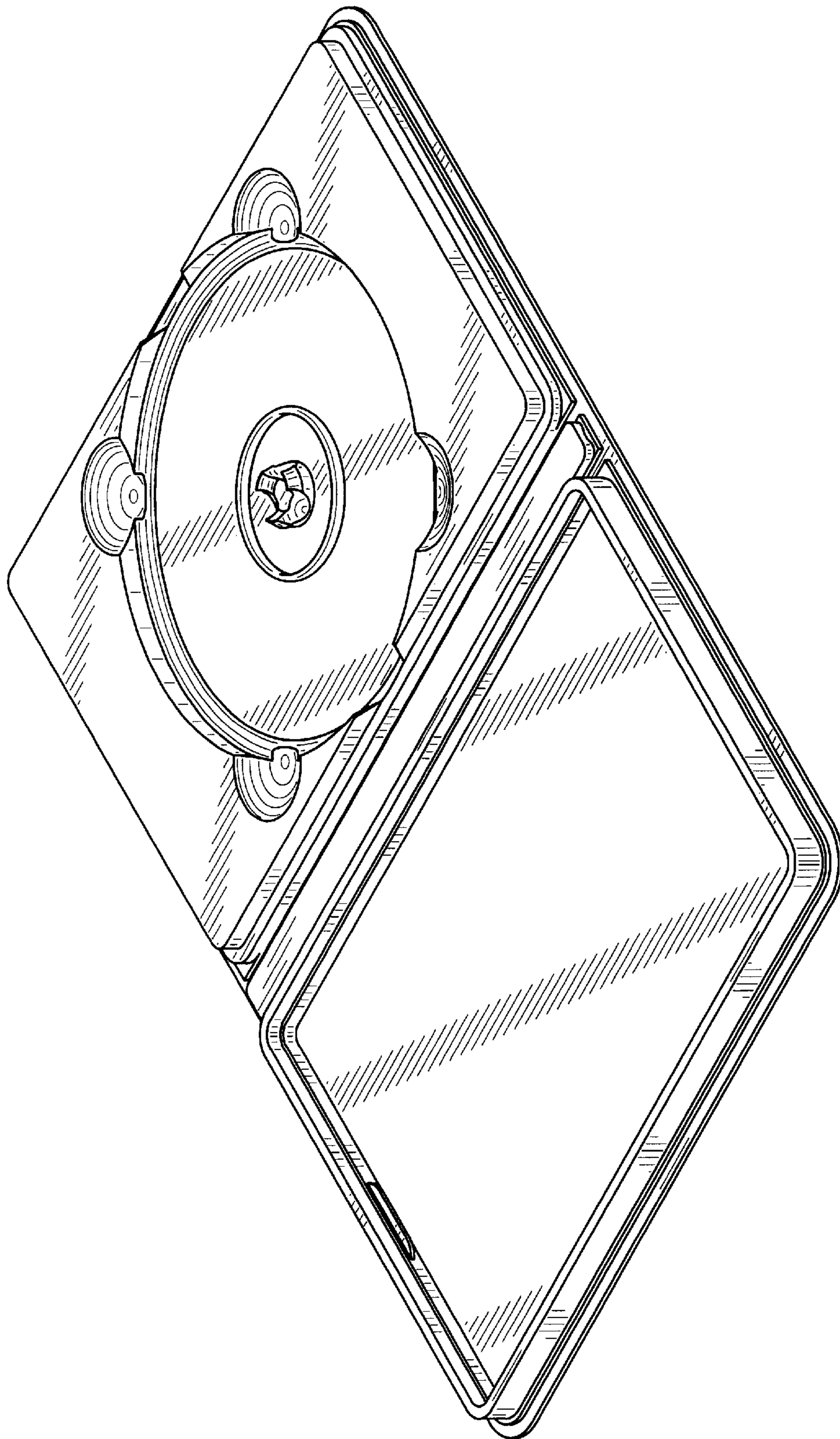


FIG. 1

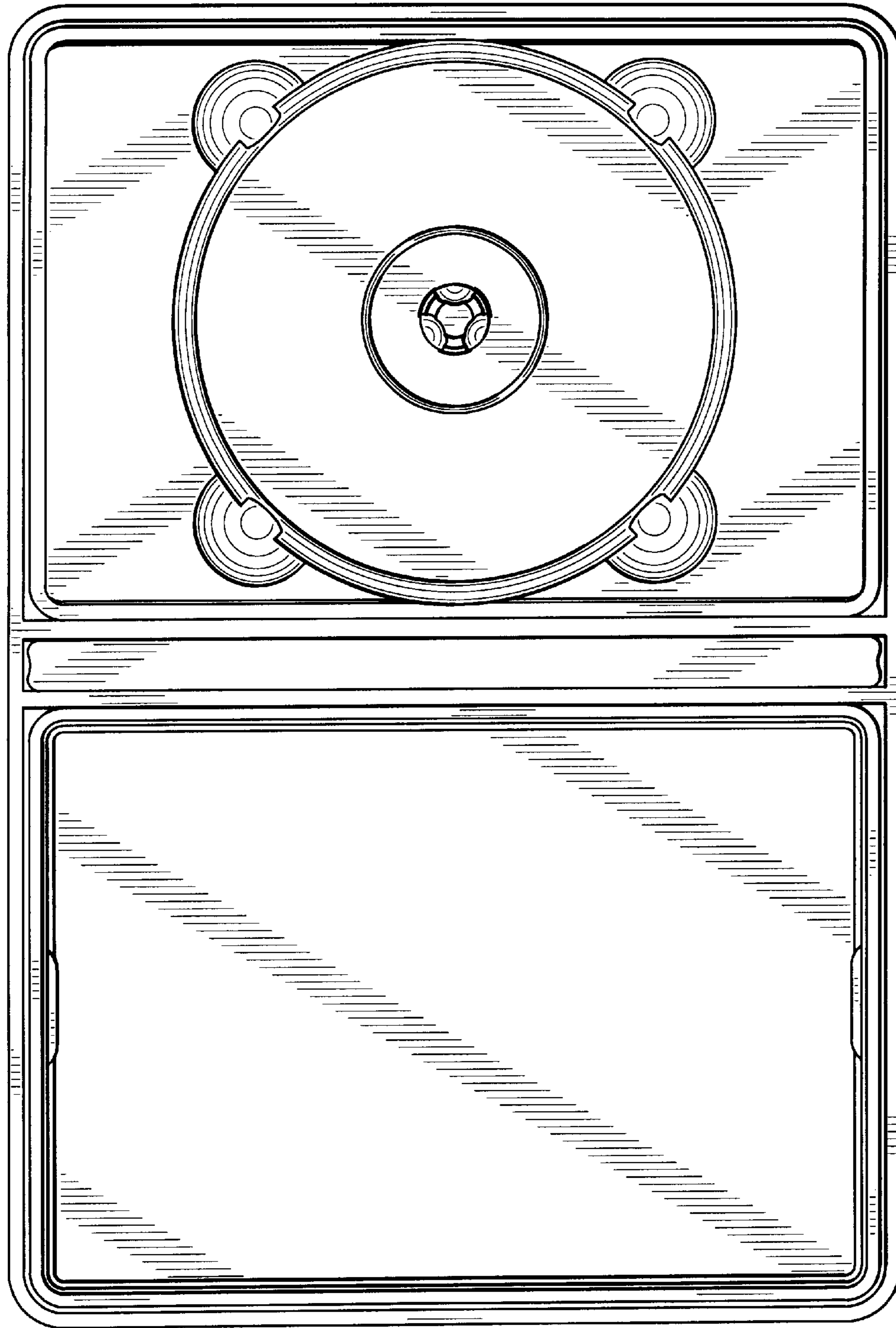


FIG. 2

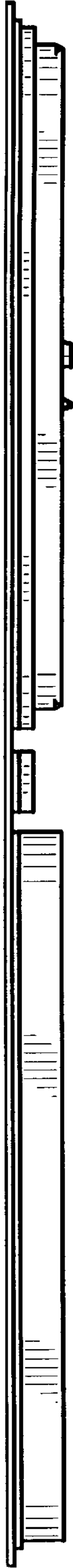


FIG. 3

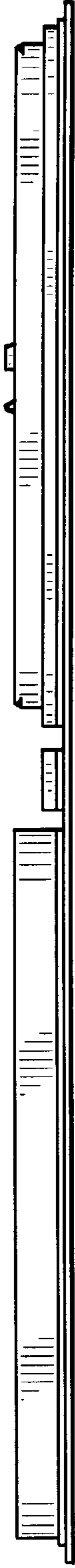


FIG. 4



FIG. 5



FIG. 6

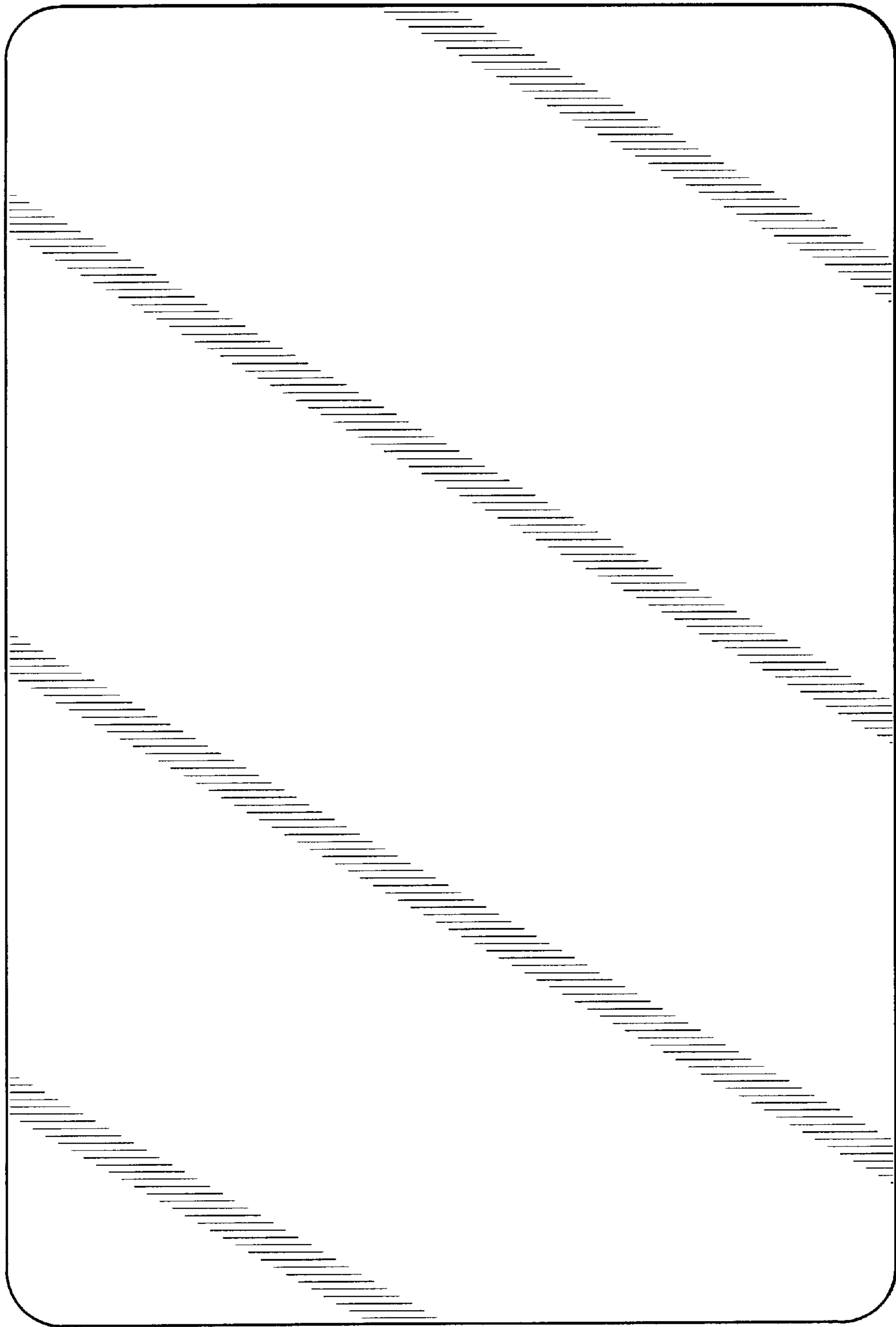


FIG. 7

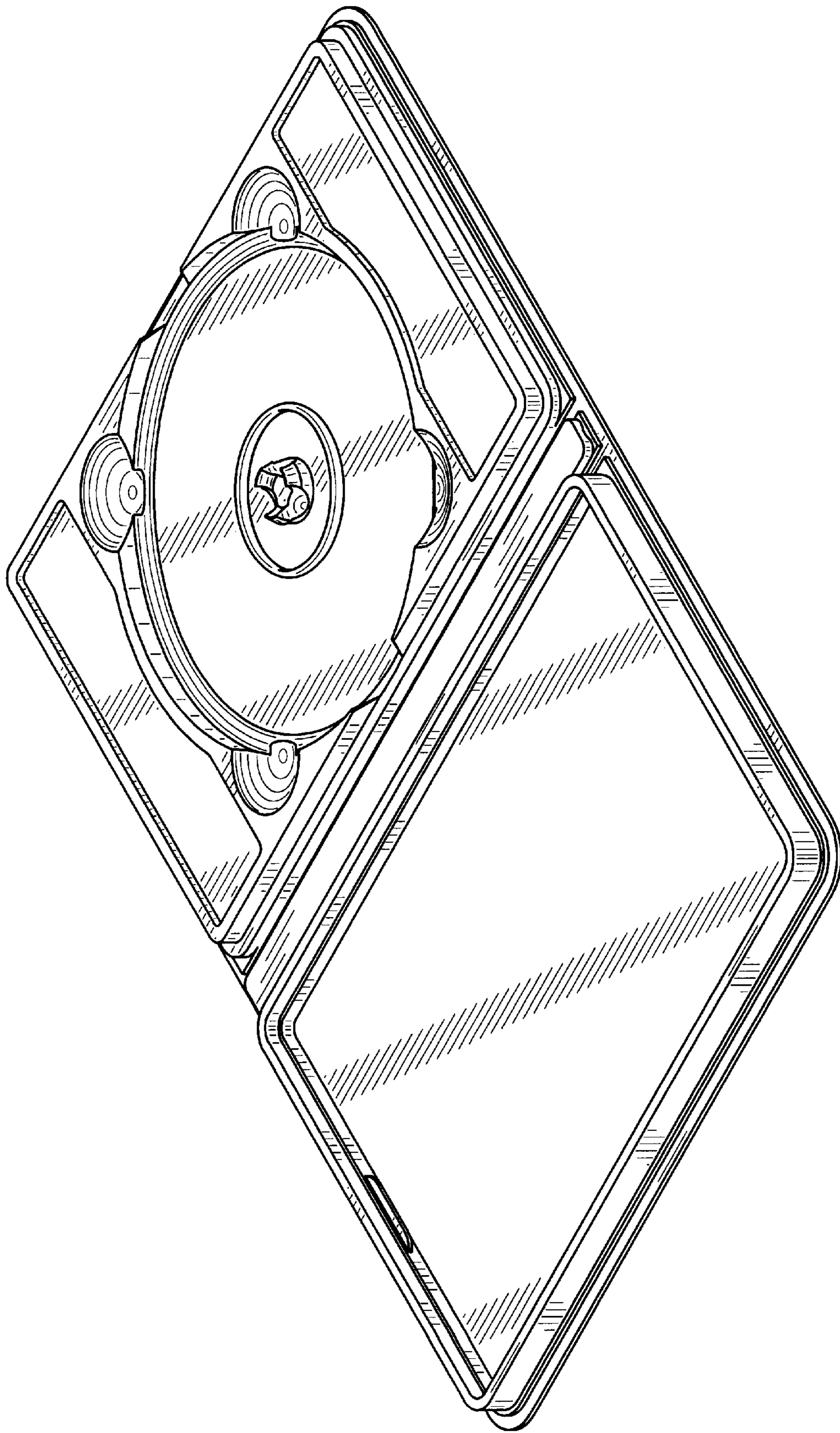


FIG. 8

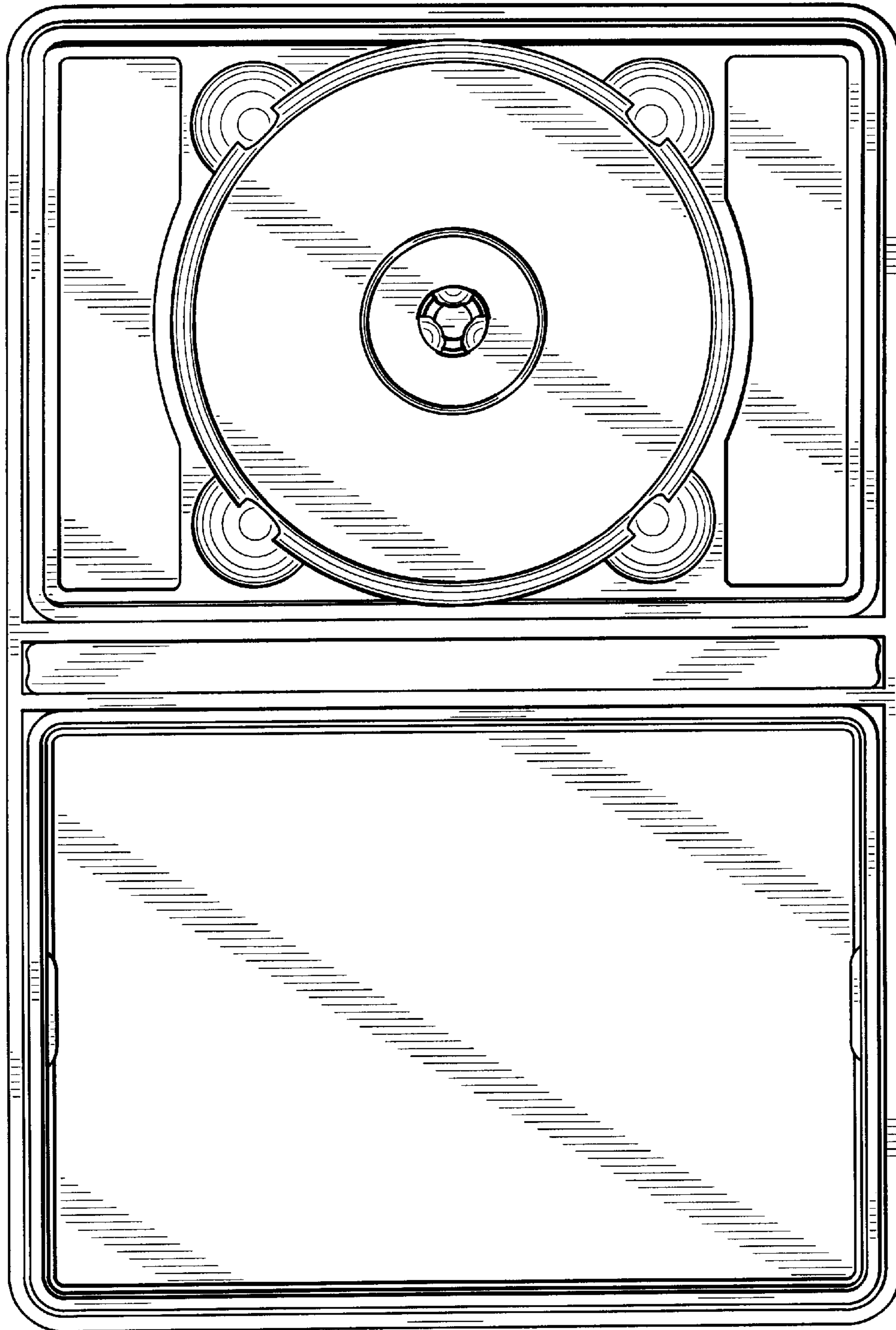


FIG. 9



FIG. 10

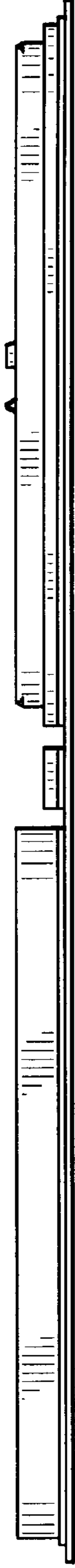


FIG. 11



FIG. 12



FIG. 13

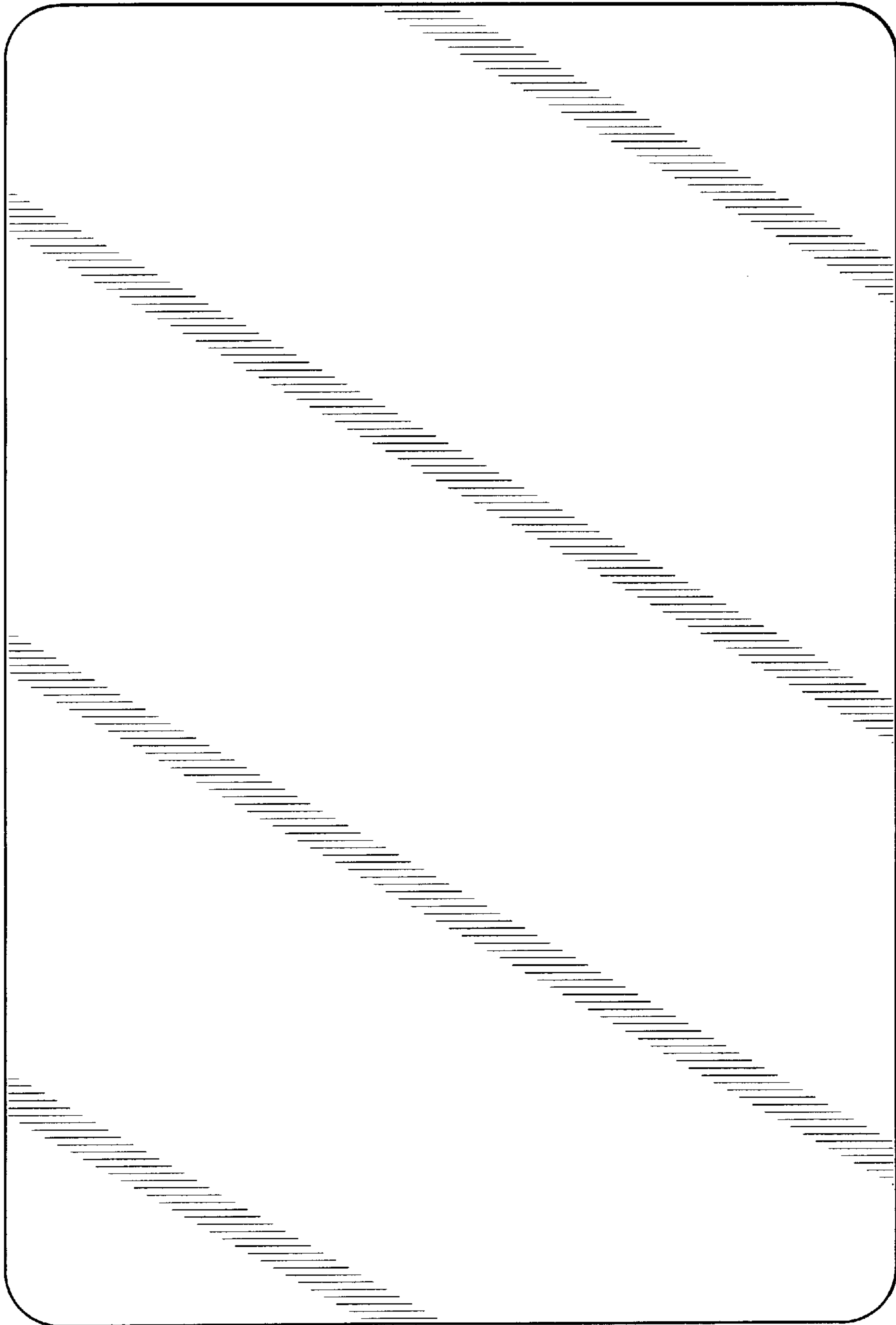


FIG. 14