



US00D433265S

# United States Patent [19] Khatemi

[11] Patent Number: **Des. 433,265**

[45] Date of Patent: **\*\* Nov. 7, 2000**

[54] **COMPACT DISK CASE**

[76] Inventor: **Nasser Khatemi**, 24961 Via Portola,  
Laguna Hills, Calif. 92677

[\*\*] Term: **14 Years**

[21] Appl. No.: **29/111,418**

[22] Filed: **Sep. 27, 1999**

[51] **LOC (7) Cl.** ..... **06-04**

[52] **U.S. Cl.** ..... **D6/634**; D6/407; D6/632

[58] **Field of Search** ..... D3/201; D6/407,  
D6/408, 626-635, 124; D14/26, 27; D19/32,  
33, 74, 89; D27/340, 360; 40/626, 771,  
775, 307; 150/149; 132/312; 206/307, 308.1,  
308.3, 309, 311, 312, 313, 387.13, 396,  
408, 730; 281/29; 229/67.1, 68.1, 70-72

[56] **References Cited**

**U.S. PATENT DOCUMENTS**

|            |         |                |       |           |
|------------|---------|----------------|-------|-----------|
| D. 285,503 | 9/1986  | Weiner         | ..... | D6/634    |
| D. 333,382 | 2/1993  | Cheng          | ..... | D6/634    |
| D. 354,653 | 1/1995  | Melk           | ..... | D6/632    |
| D. 387,217 | 12/1997 | Lakoski et al. | ..... | D6/407    |
| D. 401,463 | 11/1998 | Cheris et al.  | ..... | D6/634    |
| D. 421,870 | 3/2000  | Boucard        | ..... | D6/627    |
| 4,623,062  | 11/1986 | Chase et al.   | ..... | 206/45.28 |
| 4,903,829  | 2/1990  | Clemens        | ..... | 206/308.1 |
| 5,011,010  | 4/1991  | Francis et al. | ..... | 206/307   |
| 5,297,672  | 3/1994  | MacTavish      | ..... | 206/308.2 |
| 5,341,924  | 8/1994  | Morrone        | ..... | 206/232   |

|           |         |                |       |           |
|-----------|---------|----------------|-------|-----------|
| 5,476,173 | 12/1995 | Opresco        | ..... | 206/309   |
| 5,511,659 | 4/1996  | Bosworth       | ..... | 206/308.1 |
| 5,690,220 | 11/1997 | Swan           | ..... | 206/308.1 |
| 5,713,463 | 2/1998  | Lakoski et al. | ..... | 206/308.1 |
| 5,794,814 | 8/1998  | Baerenwald     | ..... | 220/685   |
| 5,819,929 | 10/1998 | Chung          | ..... | 206/308.1 |
| 6,021,894 | 2/2000  | Lakoski et al. | ..... | 206/308.1 |

*Primary Examiner*—Celia Murphy  
*Attorney, Agent, or Firm*—Roy A. Ekstrand

[57] **CLAIM**

The ornamental design for a compact disk case, as shown and described.

**DESCRIPTION**

FIG. 1 sets forth a perspective view of a compact disk case showing the present invention new design in its closed position;  
FIG. 2 is a rear view thereof;  
FIG. 3 is a top view thereof;  
FIG. 4 is a front view thereof;  
FIG. 5 is a left side view thereof with the right side being a mirror image thereof;  
FIG. 6 is a bottom view thereof;  
FIG. 7 is a perspective view thereof in its open position; and,  
FIG. 8 is a perspective view of an alternate embodiment of the design shown in FIG. 1; the sides not showing being substantially similar to the first embodiment except for the inwardly tapered sides.

**1 Claim, 2 Drawing Sheets**

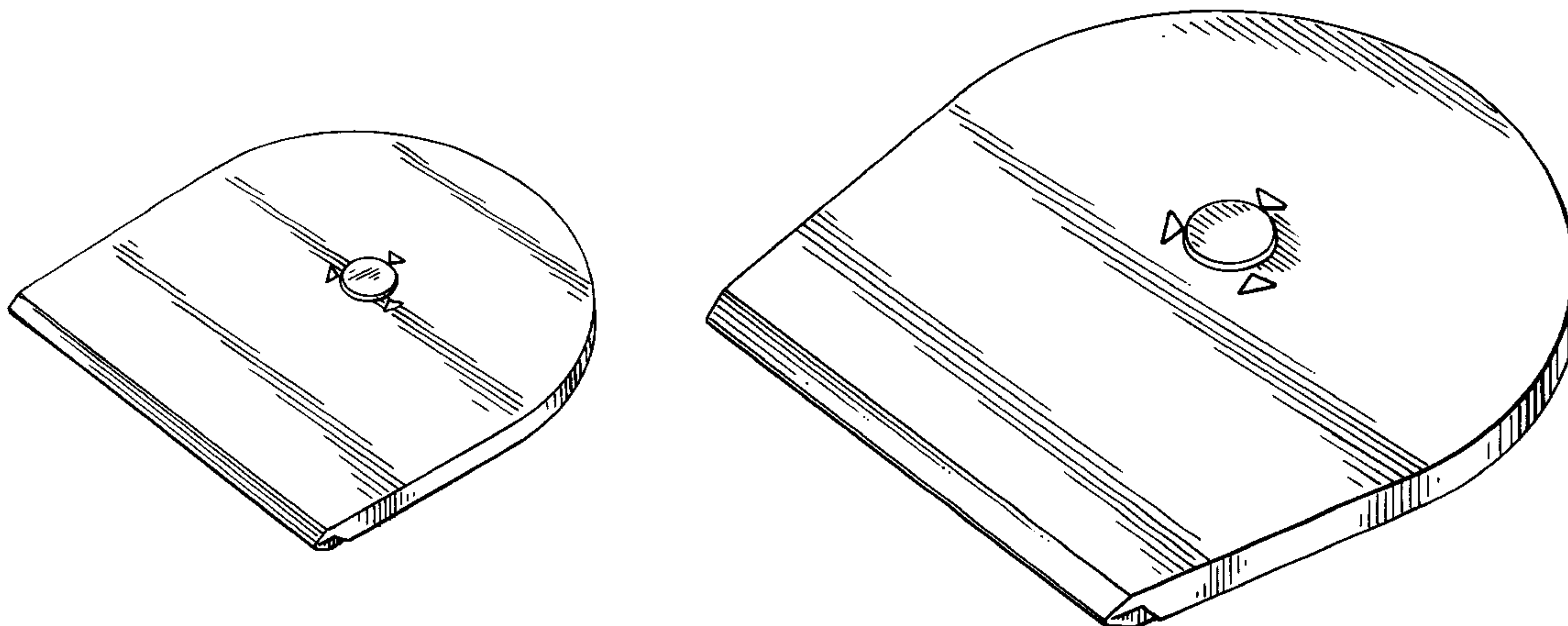


FIG. 1

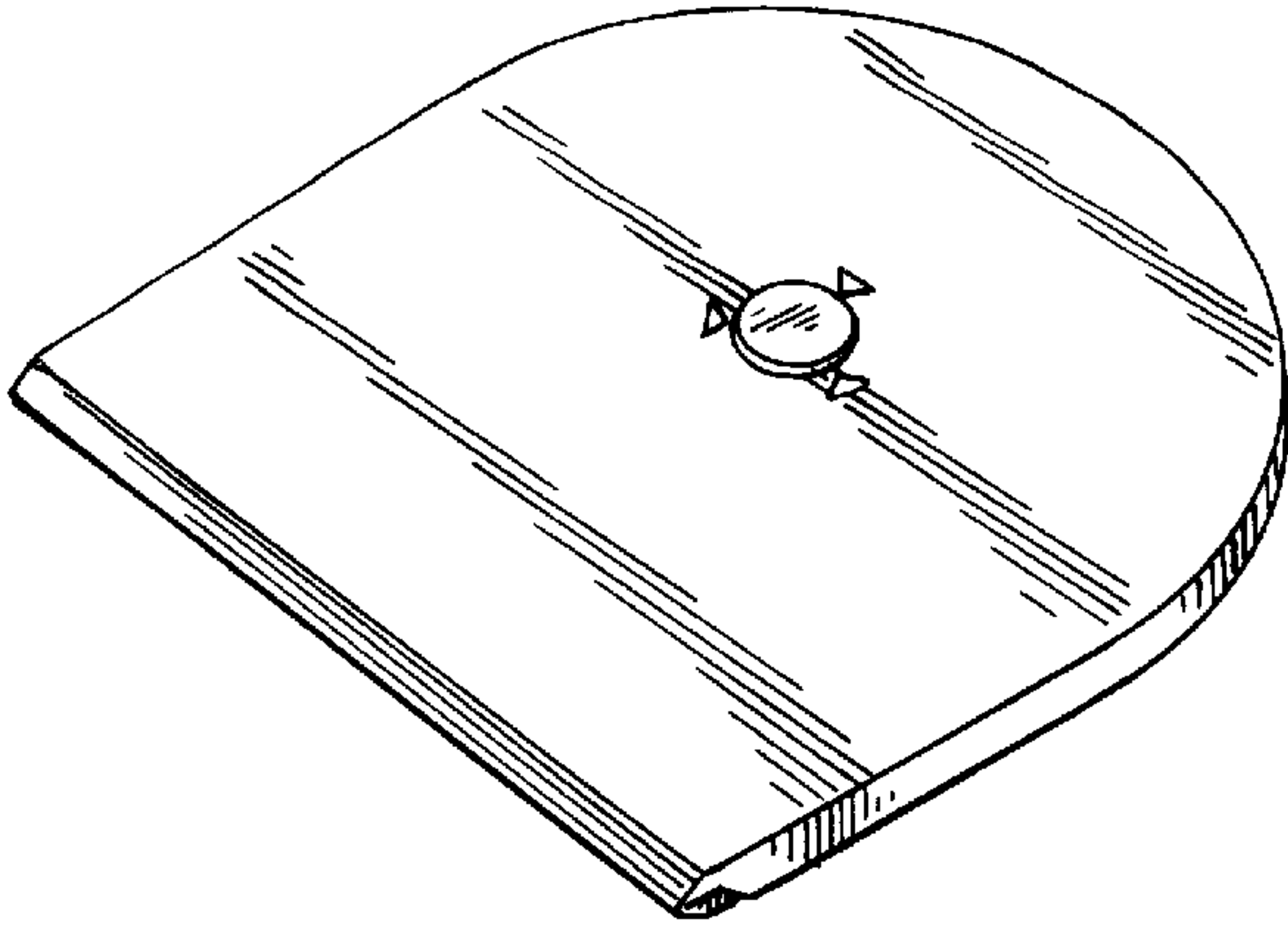


FIG. 2

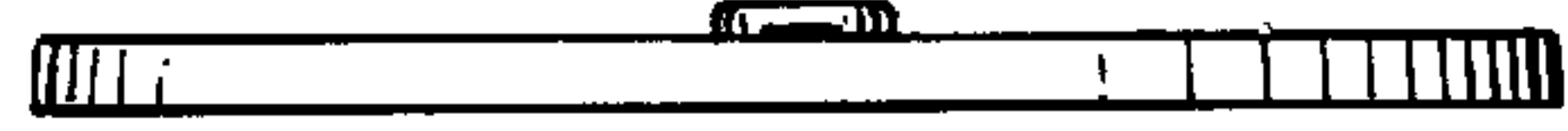


FIG. 3

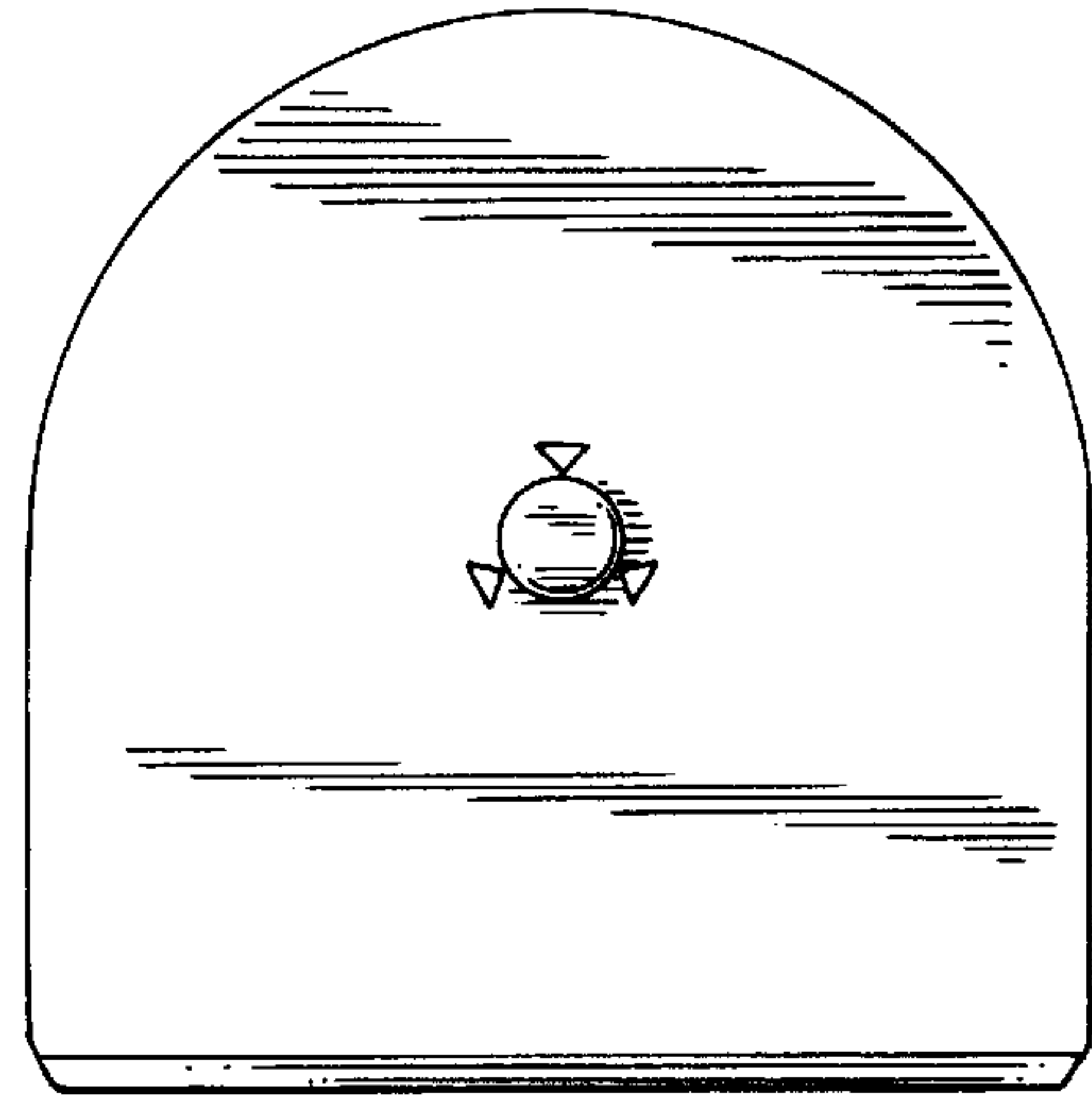


FIG. 6

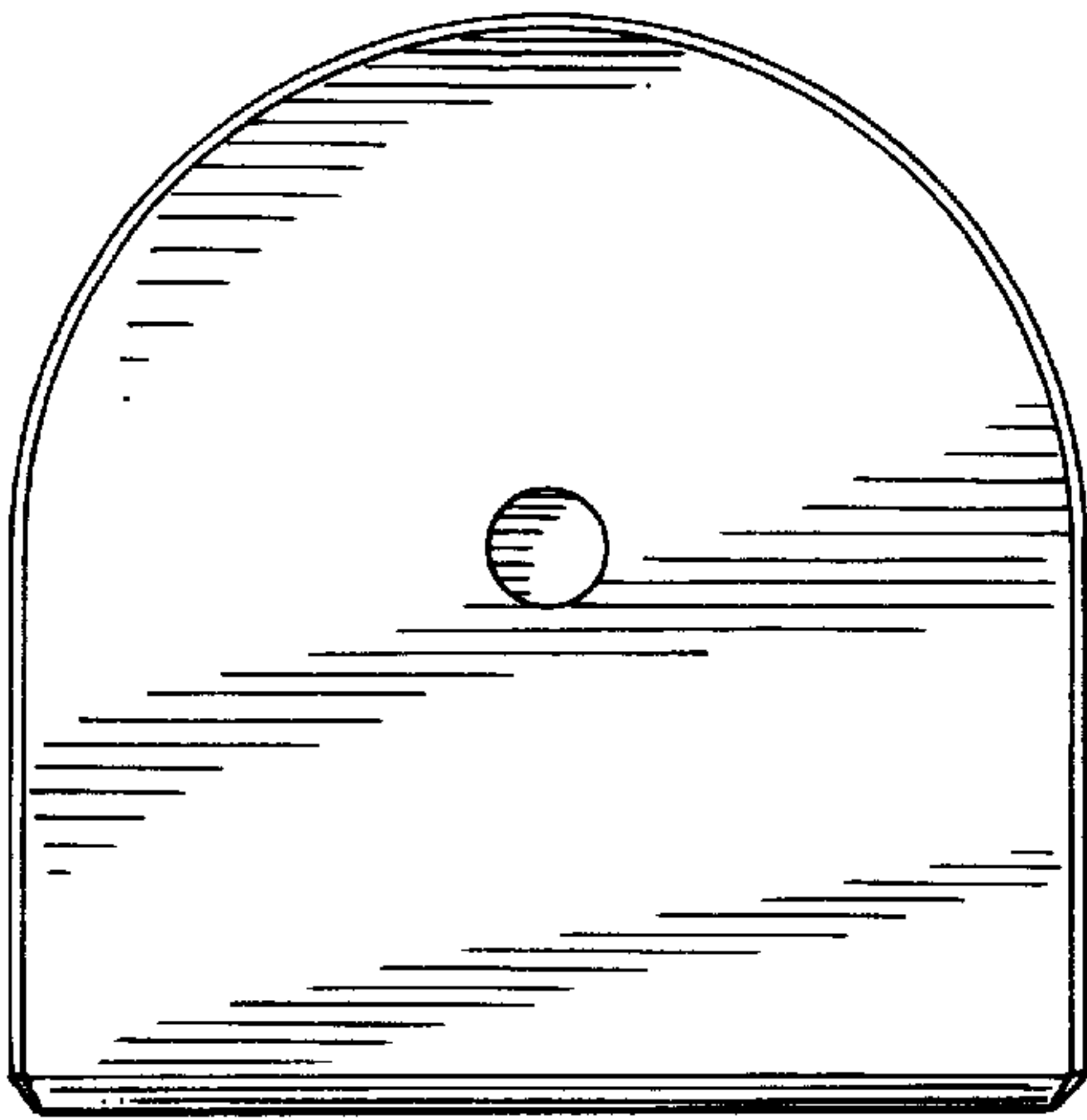


FIG. 5



FIG. 4

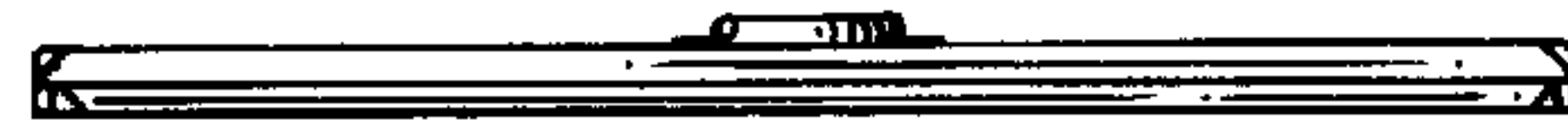
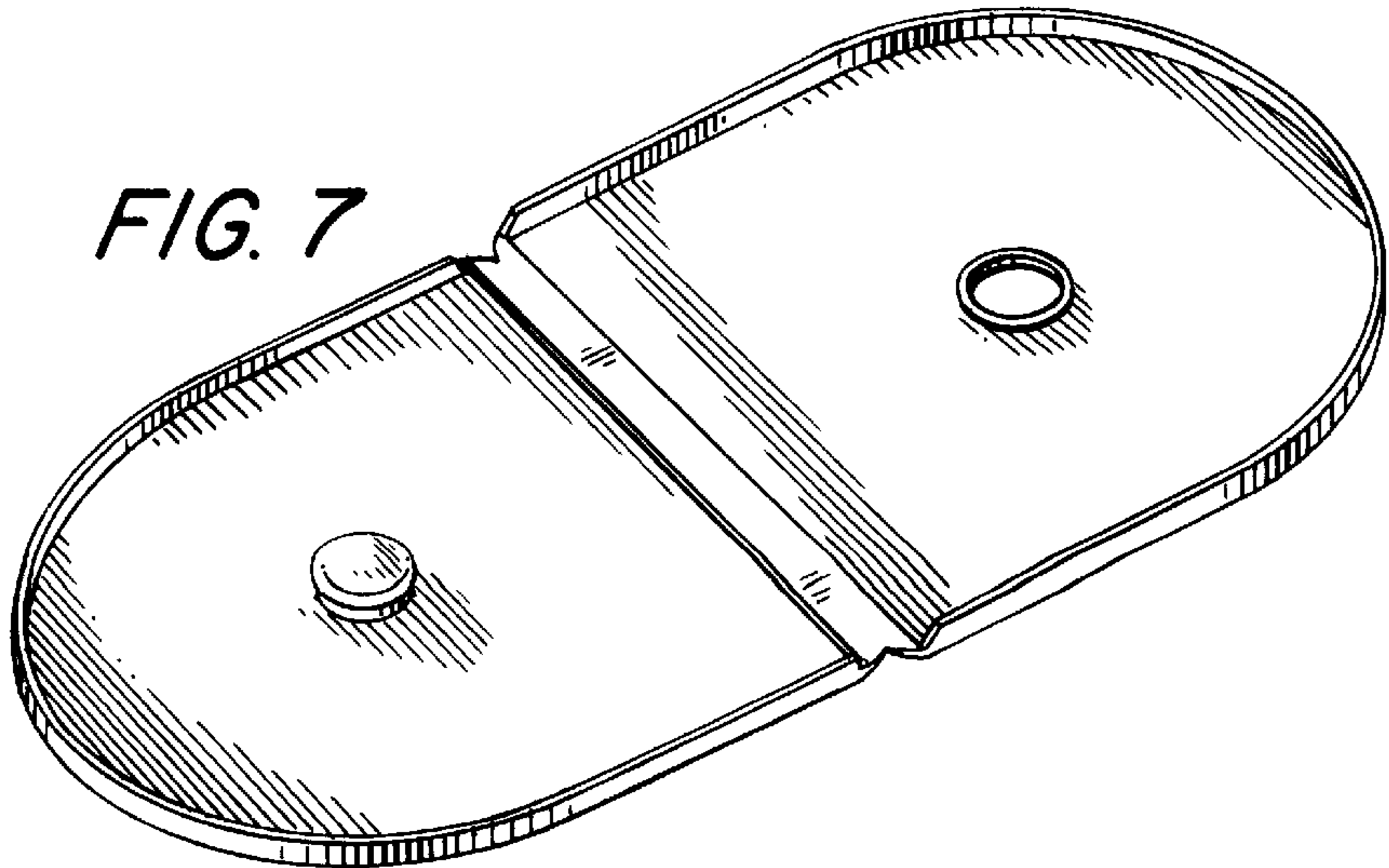


FIG. 7



*FIG. 8*

