



US00D433263S

United States Patent [19]

[11] **Patent Number: Des. 433,263**

Viner

[45] **Date of Patent: ** Nov. 7, 2000**

[54] **CLIP-ON TOOTHBRUSH HOLDER FOR A TOOTHPASTE DISPENSER**

D. 380,115 6/1997 Fairweather D6/552
2,906,479 9/1959 Strachan 211/65 X
4,705,194 11/1987 Judge 211/65 X

[76] Inventor: **Peter Viner**, 45 Pocahontas Dr., West Hartford, Conn. 06117

Primary Examiner—Brian N. Vinson

[**] Term: **14 Years**

[57] **CLAIM**

[21] Appl. No.: **29/080,676**

The ornamental design for a clip-on toothbrush holder for a toothpaste dispenser, as shown in the figures.

[22] Filed: **Dec. 4, 1997**

DESCRIPTION

[51] **LOC (7) Cl.** **07-07**

FIG. 1 is a perspective view of a clip-on toothbrush holder for a toothpaste dispenser showing my new design.

[52] **U.S. Cl.** **D6/534**

FIG. 2 is an enlarged, top perspective view of the clip-on toothbrush holder of FIG. 1, accordingly to the present invention; and,

[58] **Field of Search** D6/528, 530, 534, D6/552; 211/65, 66; 206/362, 362.1, 362.3; 222/93, 105

FIG. 3 is an enlarged, bottom perspective view of the clip-on toothbrush holder of FIG. 1.

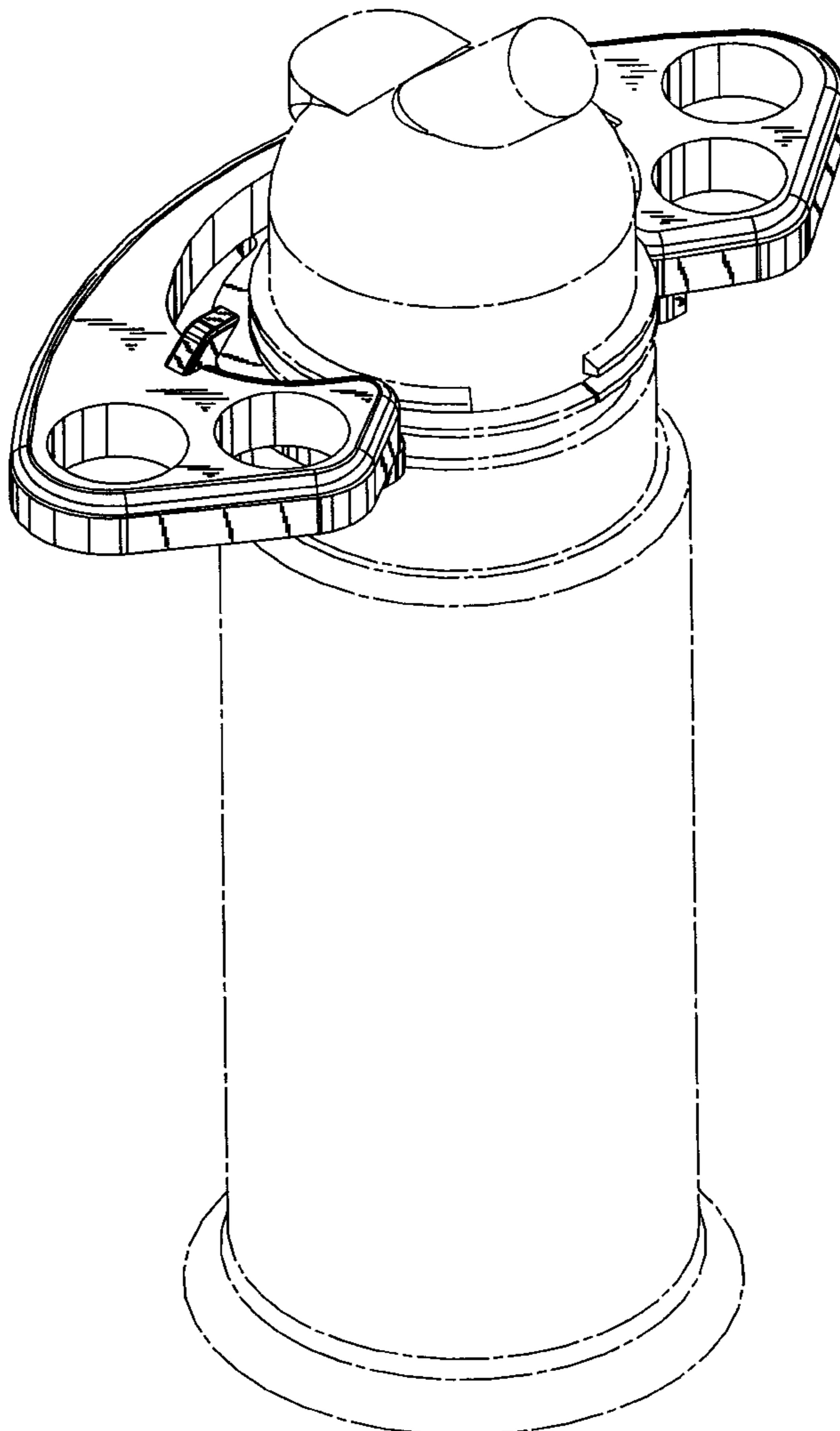
[56] **References Cited**

U.S. PATENT DOCUMENTS

The phantom line disclosure of toothpaste dispenser in FIG. 1 are for illustrative purposes only and form no part of the claimed design.

- D. 312,182 11/1990 Ritchie D6/534
- D. 366,171 1/1996 Green D6/534
- D. 377,727 2/1997 Fairweather D6/552

1 Claim, 2 Drawing Sheets



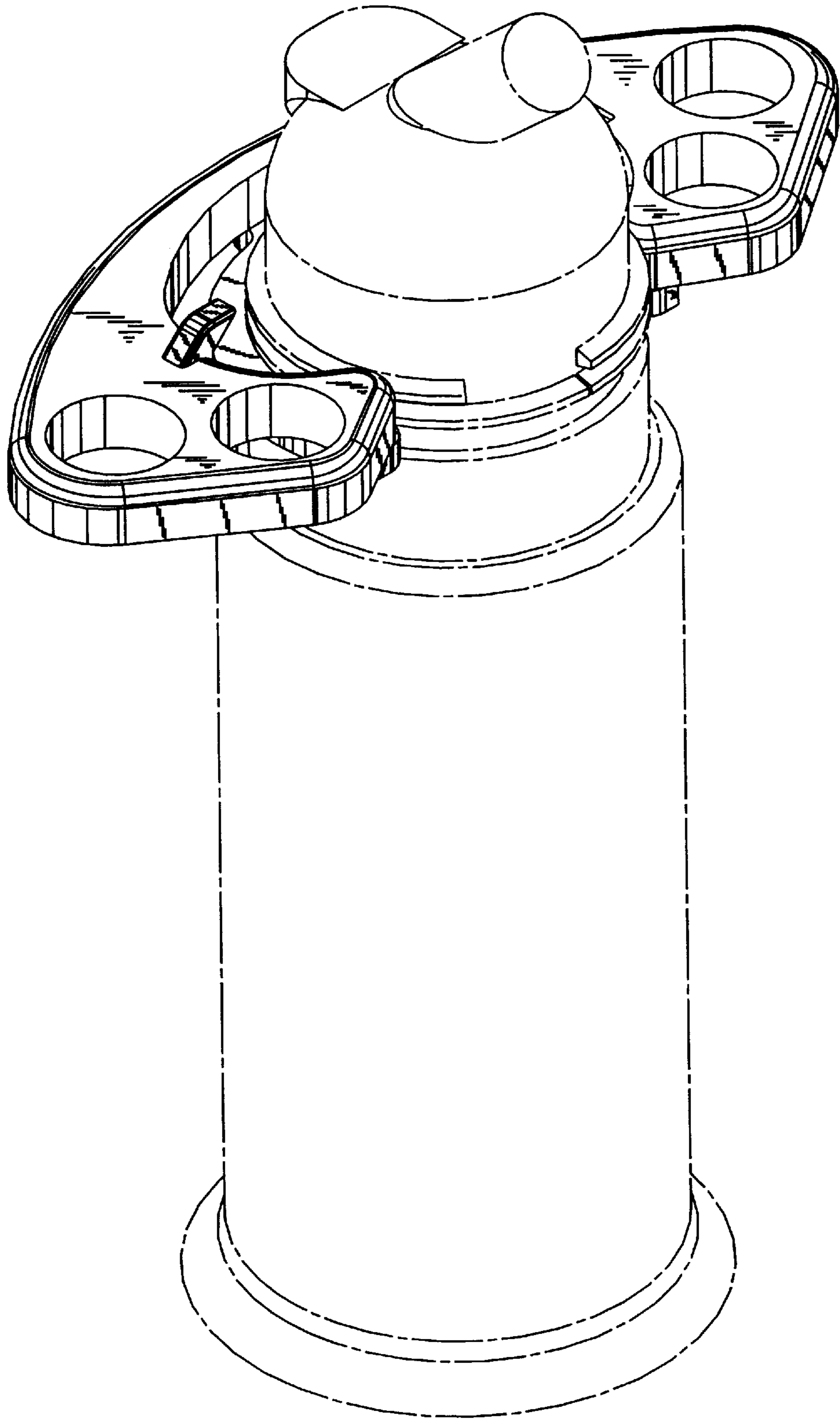


FIG. 1

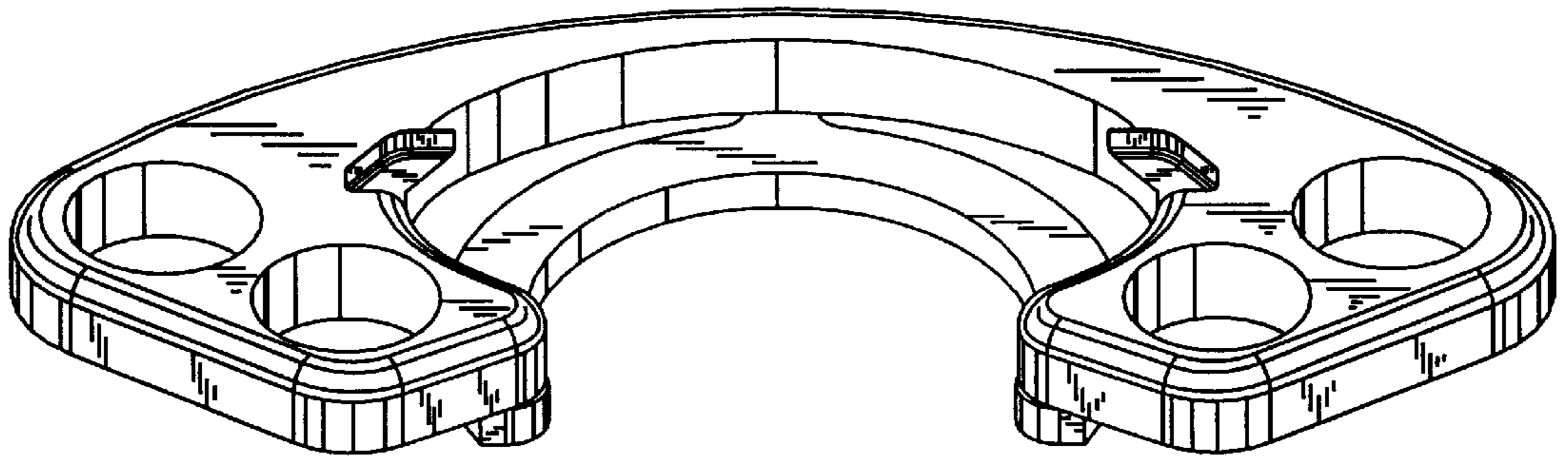


FIG. 2

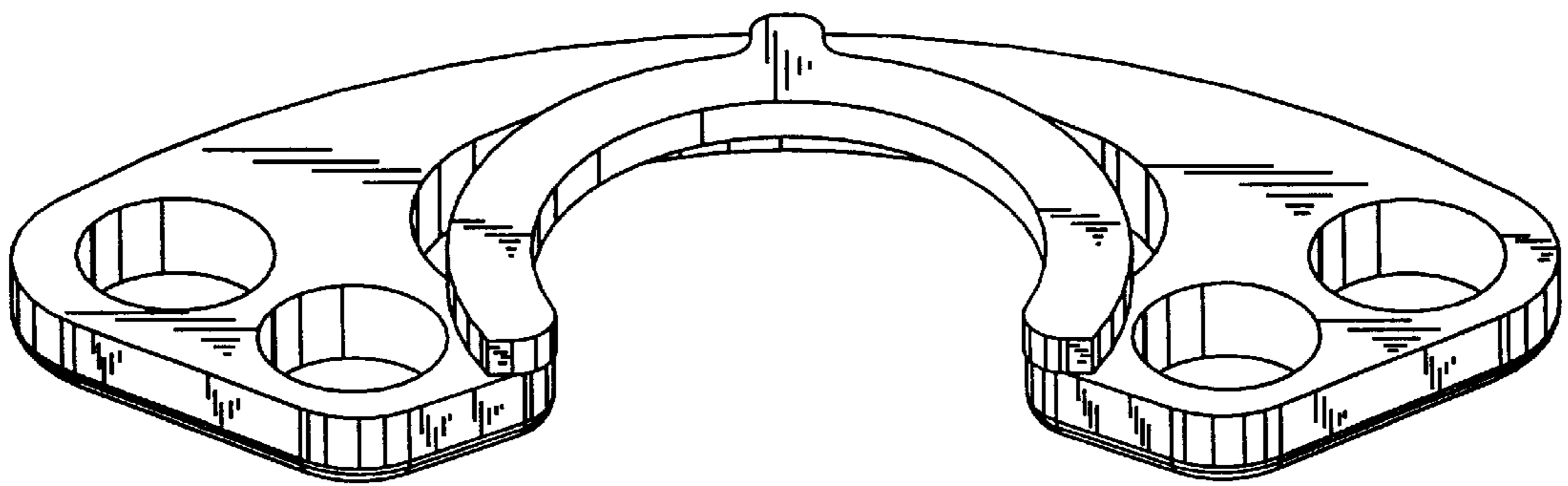


FIG. 3