



US00D433262S

United States Patent [19]

Gastelum et al.

[11] **Patent Number: Des. 433,262**

[45] **Date of Patent: ** Nov. 7, 2000**

[54] **BATH ACCESSORY POST**

[75] Inventors: **José Gastelum, Verona; Leszek Solowiej, Montville, both of N.J.**

[73] Assignee: **Melard Manufacturing Corp., Passaic, N.J.**

[**] Term: **14 Years**

[21] Appl. No.: **29/118,565**

[22] Filed: **Feb. 9, 2000**

[51] **LOC (7) Cl. 23-02**

[52] **U.S. Cl. D6/524; D6/550**

[58] **Field of Search** D6/522-524, 527-540, D6/546-550; D8/349, 350, 352, 354; 211/13.1, 60.1, 65, 66, 69.1, 71, 74, 75, 86, 87; 242/570, 590, 595-598; 248/309.1, 310, 311.2, 312, 314, 315

[56] **References Cited**

U.S. PATENT DOCUMENTS

- D. 167,892 10/1952 Hallward D6/549
- D. 291,639 9/1987 Chap D6/549

- D. 293,184 12/1987 Chap D6/546
- D. 341,511 11/1993 McKenna D6/550
- D. 362,775 10/1995 Moon D6/546
- 2,576,873 11/1951 Zelov 248/309.1 X
- 2,893,676 7/1959 Connors et al. 248/309.1 X
- 4,637,582 1/1987 Boda 248/309.1

Primary Examiner—Brian N. Vinson
Attorney, Agent, or Firm—Edgar A. Zarins; Lloyd D. Doigan

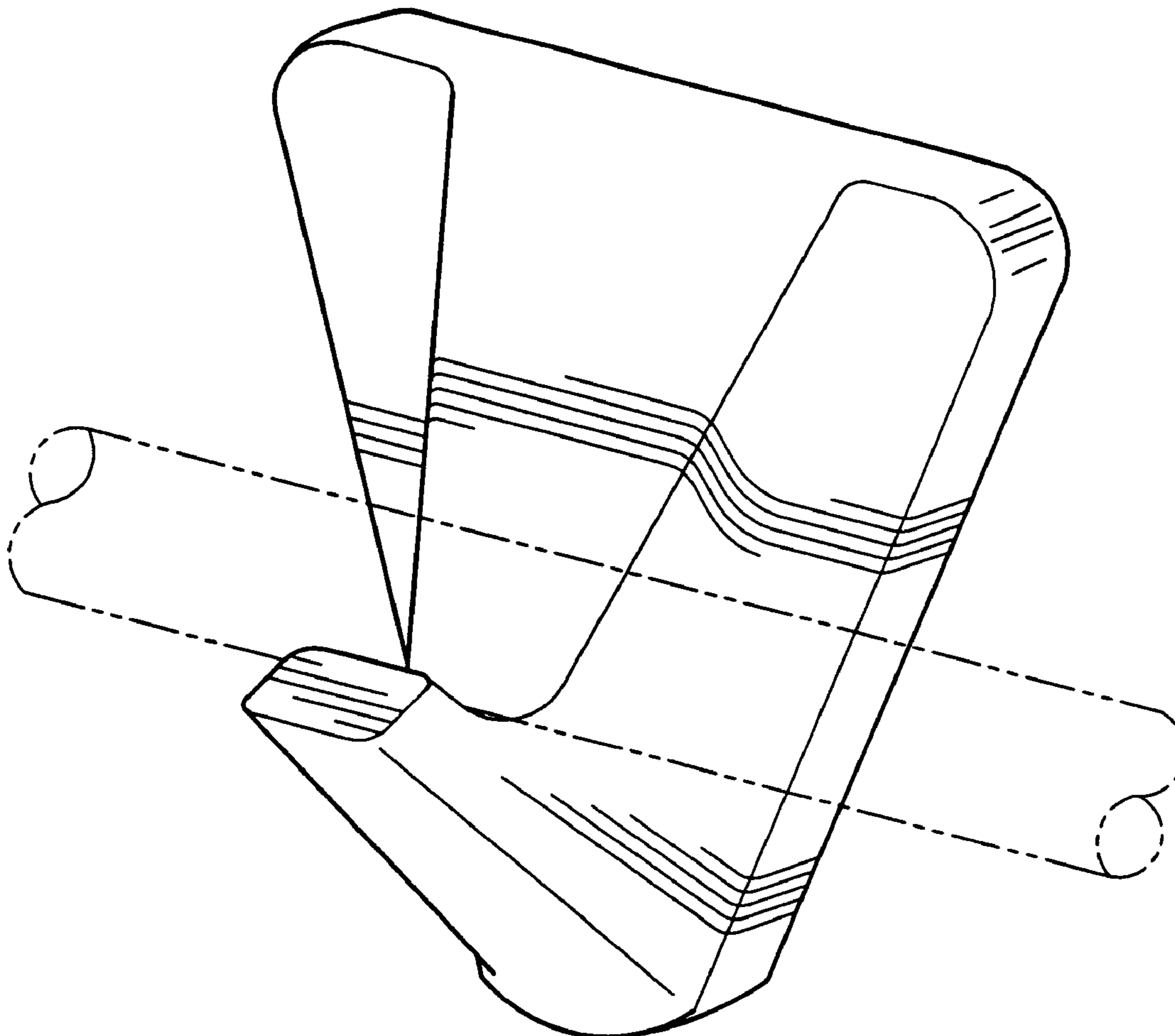
[57] **CLAIM**

The ornamental design for a bath accessory post, as shown and described.

DESCRIPTION

FIG. 1 is perspective view thereof, the broken-line disclosure of a bar element is for illustrative purposes only and form no part of the claimed design.
FIG. 2 is a front elevation thereof;
FIG. 3 is a left side view thereof, the opposite side being a mirror image of the side shown;
FIG. 4 is a bottom plan view thereof; and,
FIG. 5 is a top plan view thereof.

1 Claim, 2 Drawing Sheets



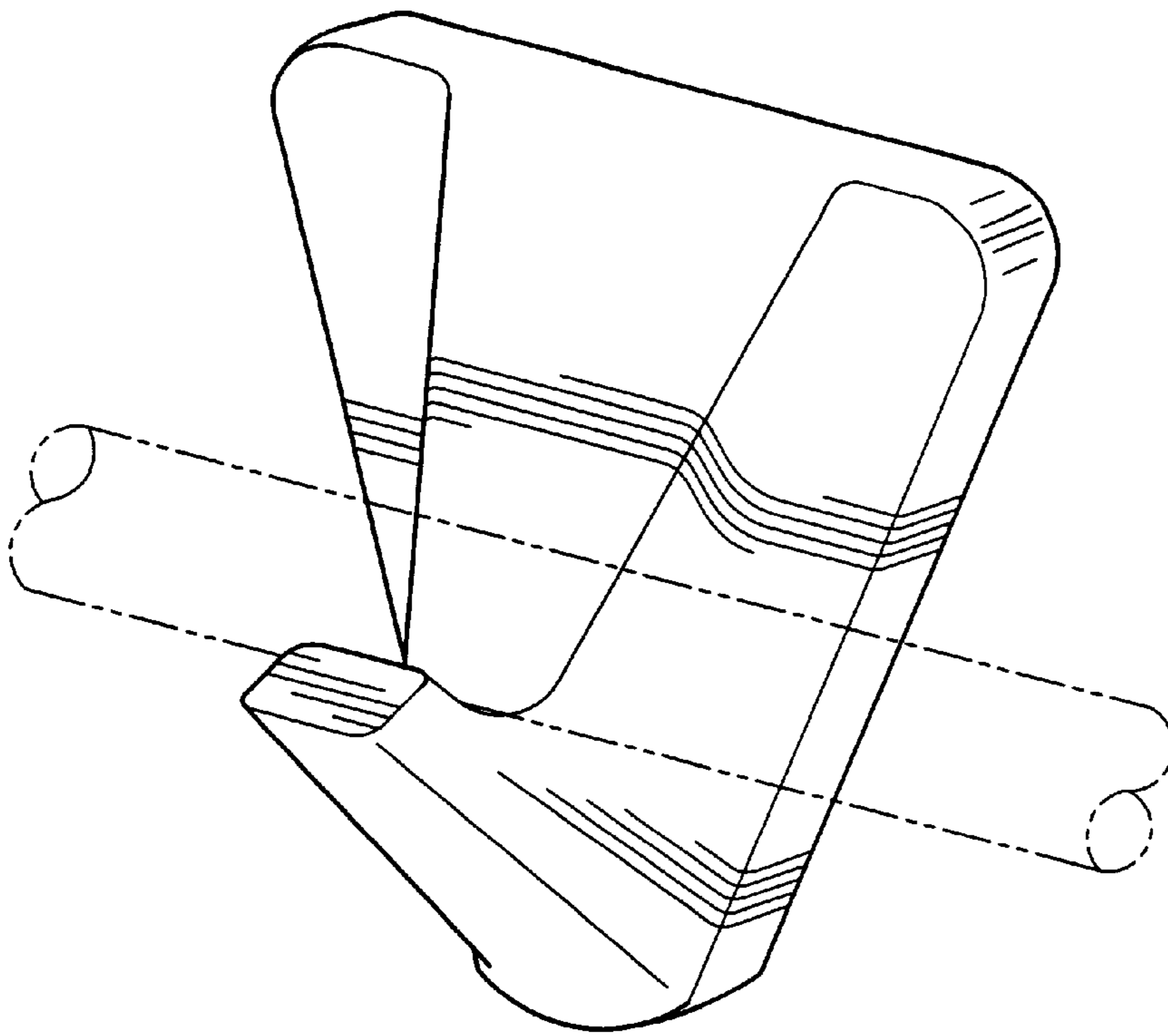


Figure - 1

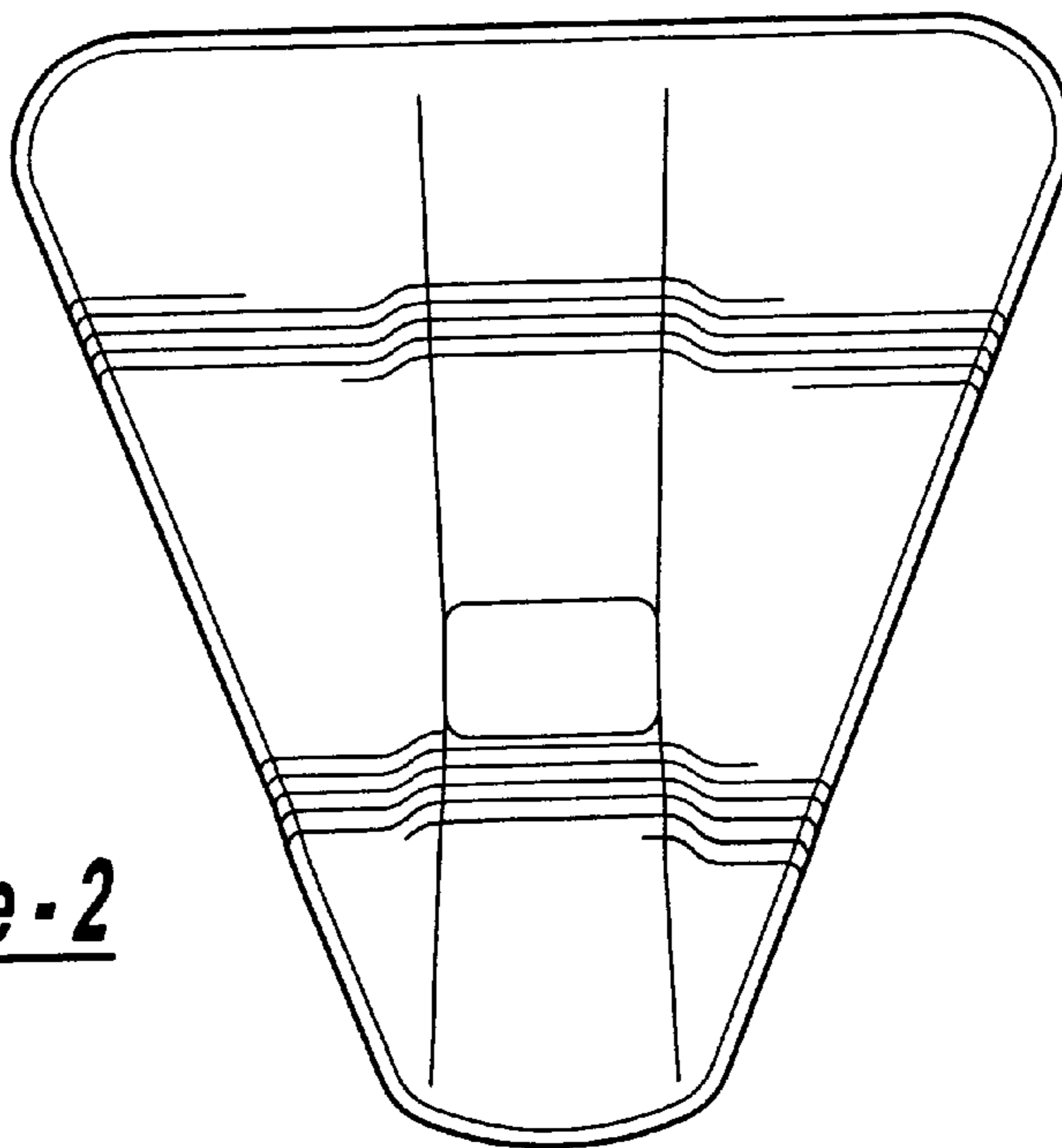


Figure - 2

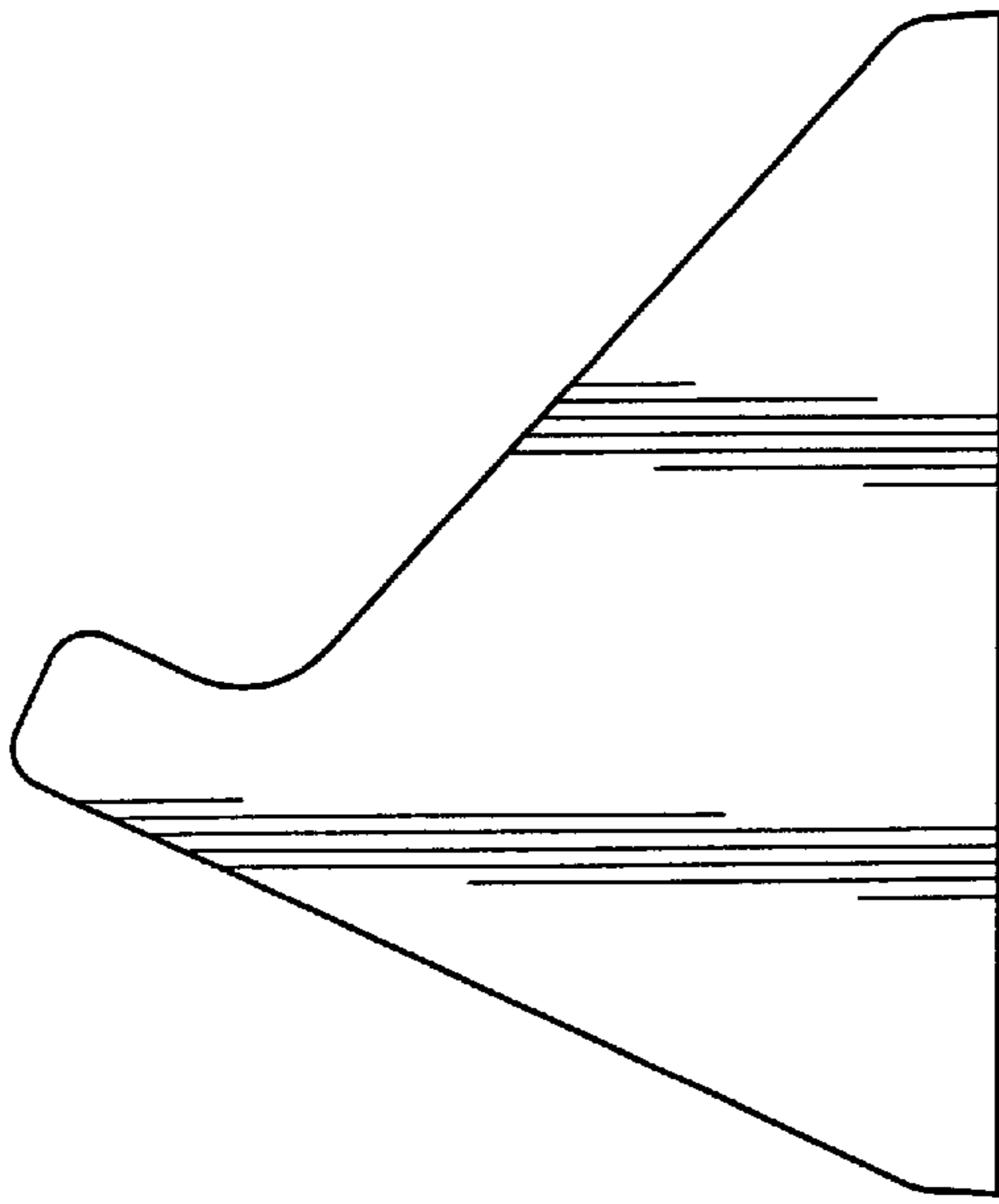


Figure - 3

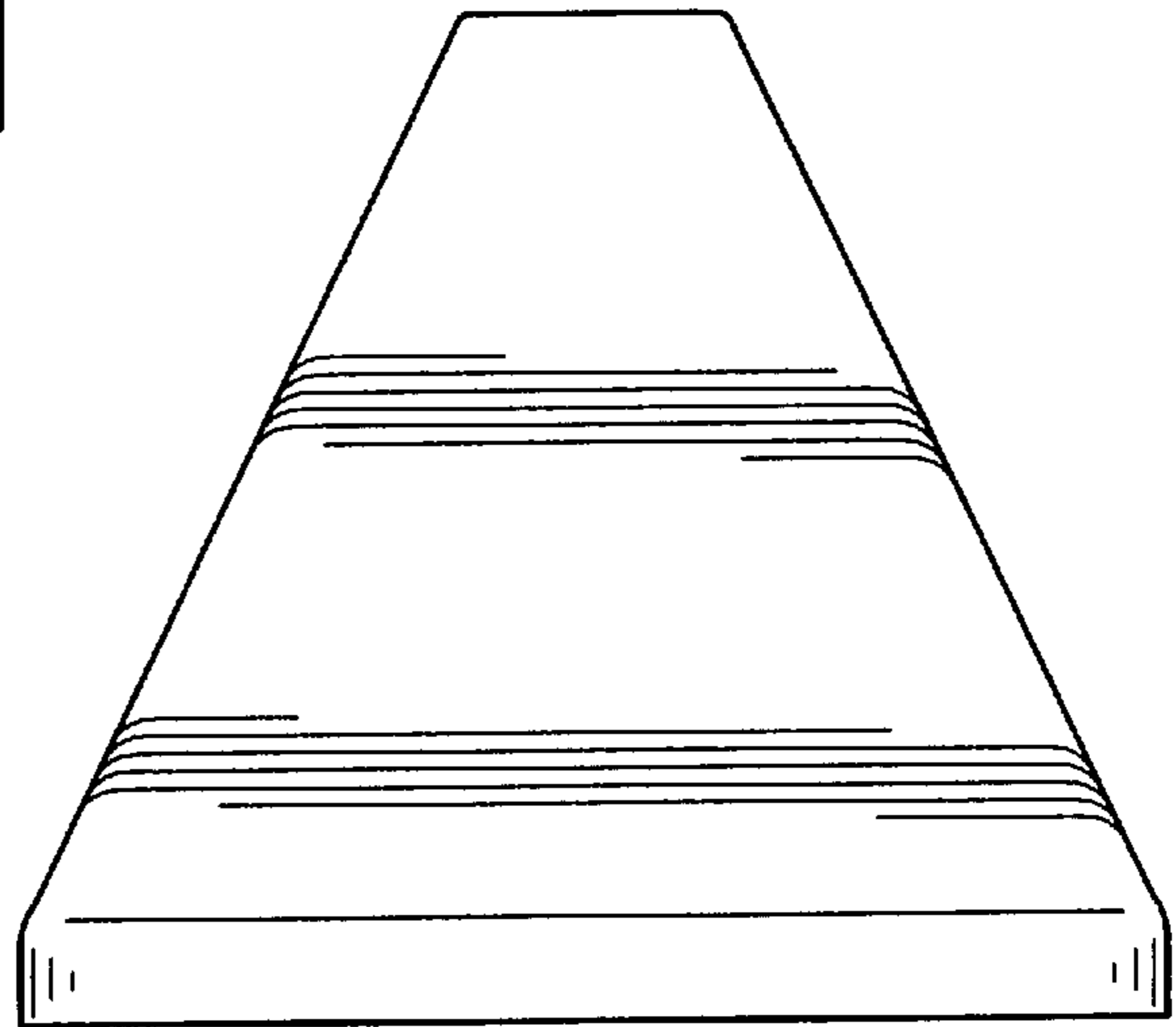


Figure - 4

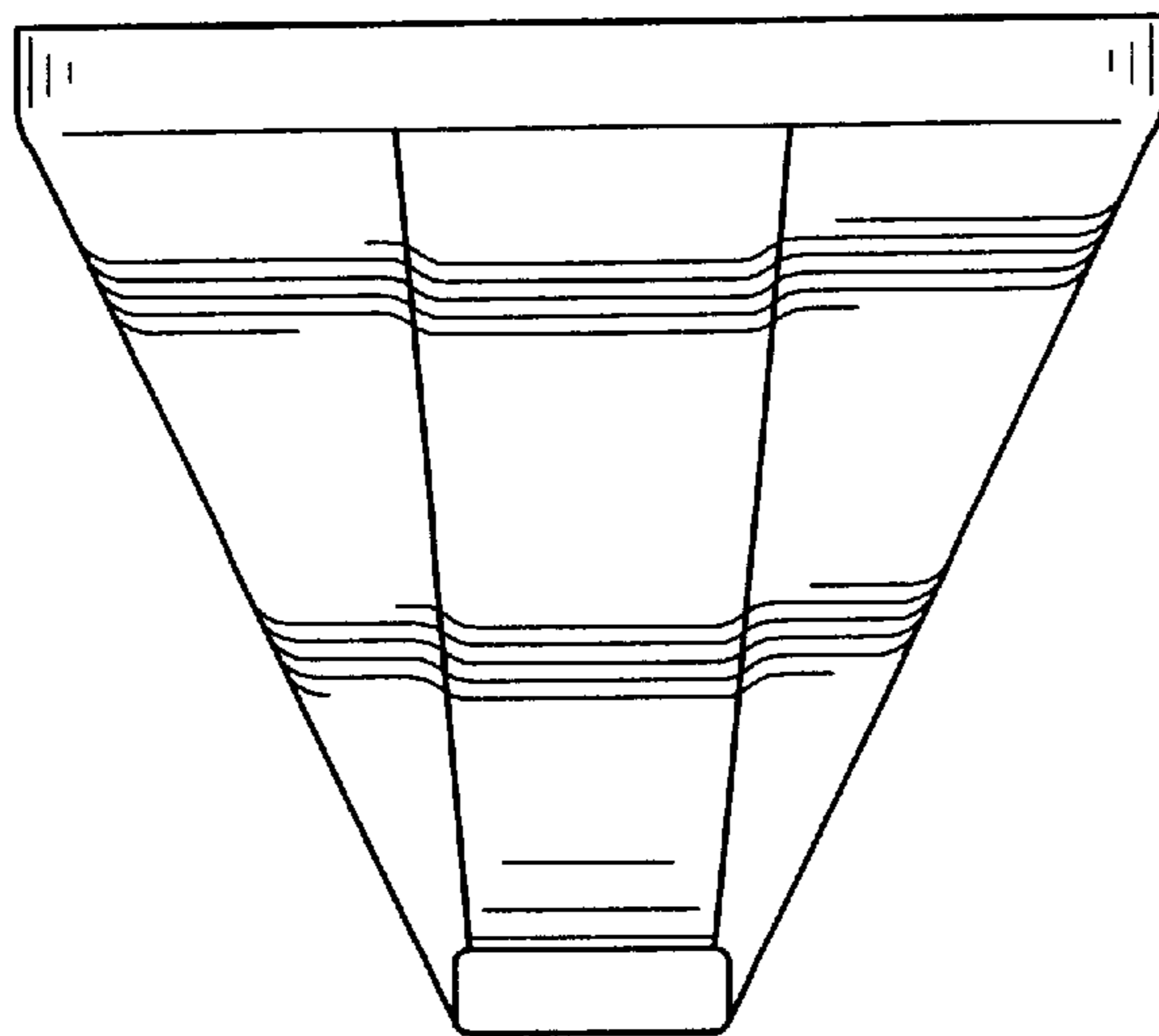


Figure - 5