



US00D433261S

United States Patent [19] Solowiej

[11] **Patent Number: Des. 433,261**

[45] **Date of Patent: ** Nov. 7, 2000**

[54] **TISSUE HOLDER**

[75] Inventor: **Leszek Solowiej**, Montville, N.J.

[73] Assignee: **Melard Manufacturing Corp.**, Passaic, N.J.

[**] Term: **14 Years**

[21] Appl. No.: **29/117,361**

[22] Filed: **Jan. 21, 2000**

[51] **LOC (7) Cl.** **23-02**

[52] **U.S. Cl.** **D6/523**

[58] **Field of Search** D6/546, 550; 211/13.1,
211/85.3, 86, 87, 95, 96, 123, 181.1; 248/205.1,
302, 309.1, 315

[56] **References Cited**

U.S. PATENT DOCUMENTS

- D. 277,347 1/1985 Thompson D6/546 X
- D. 293,184 12/1987 Chap D6/546
- D. 304,402 11/1989 Van Hoose D6/546 X

- D. 382,752 8/1997 Goodman et al. D6/546
- 2,567,873 11/1951 Zelov 248/309.1 X
- 4,637,582 1/1987 Boda 248/309.1 X

Primary Examiner—Brian N. Vinson
Attorney, Agent, or Firm—Edgar A. Zarins; Lloyd D. Doigan

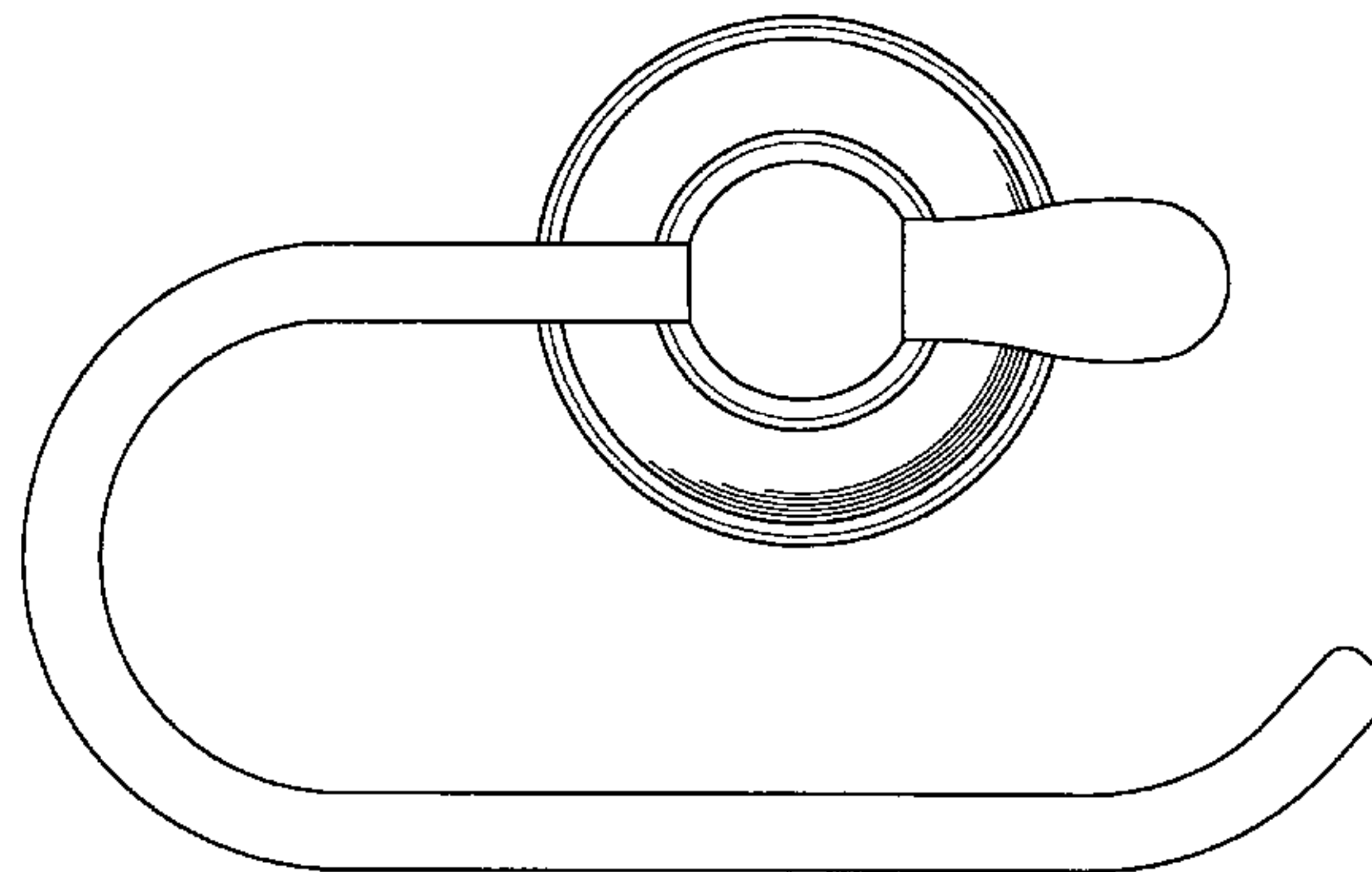
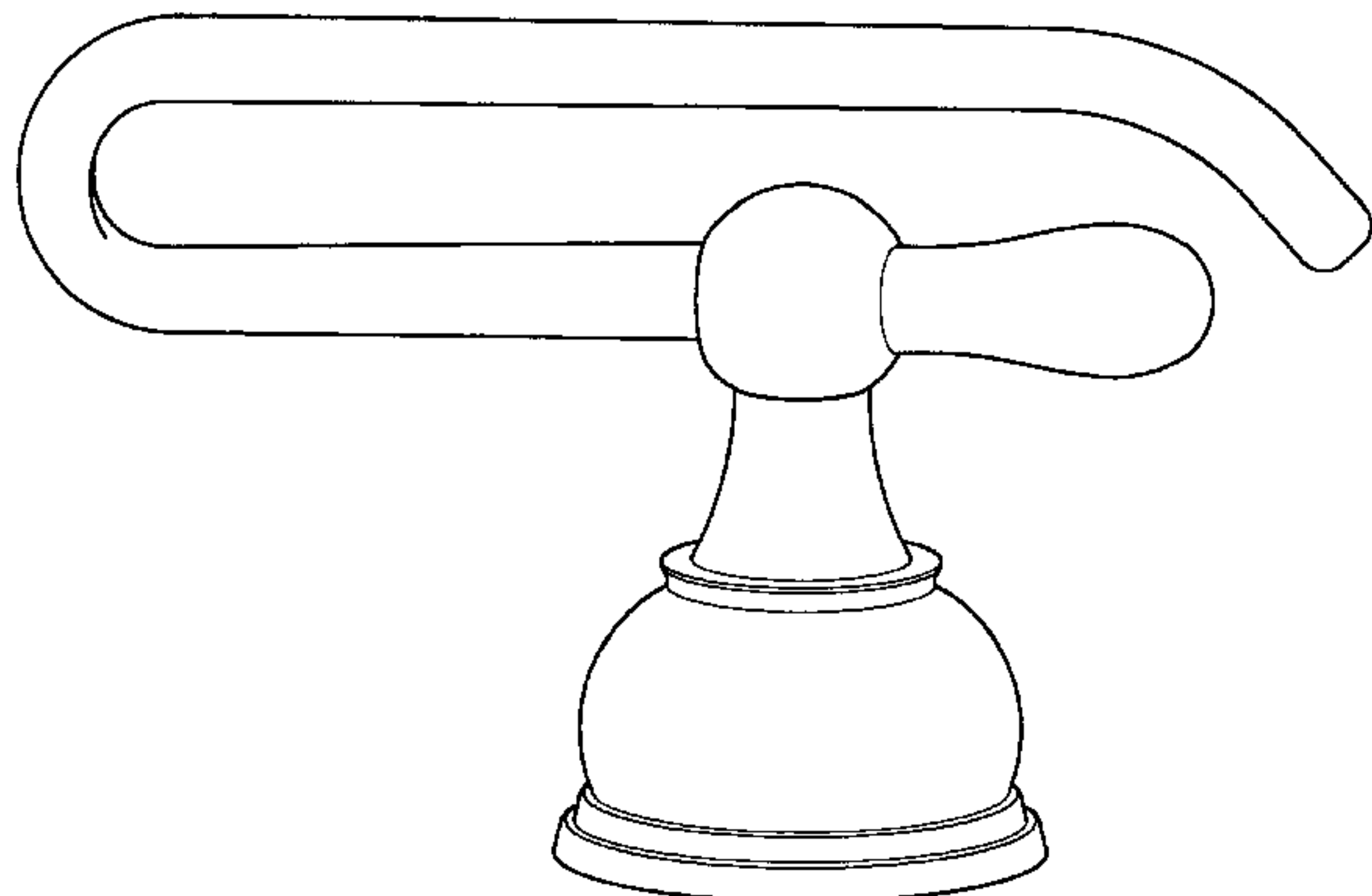
[57] **CLAIM**

The ornamental design for a tissue holder, as shown and described.

DESCRIPTION

FIG. 1 is a perspective view of a tissue holder showing my design;
FIG. 2 is a front elevational view thereof;
FIG. 3 is a left side view thereof;
FIG. 4 is a right side view thereof;
FIG. 5 is a bottom plan view thereof;
FIG. 6 is a top plan view thereof; and,
FIG. 7 is a rear elevational view thereof.

1 Claim, 4 Drawing Sheets



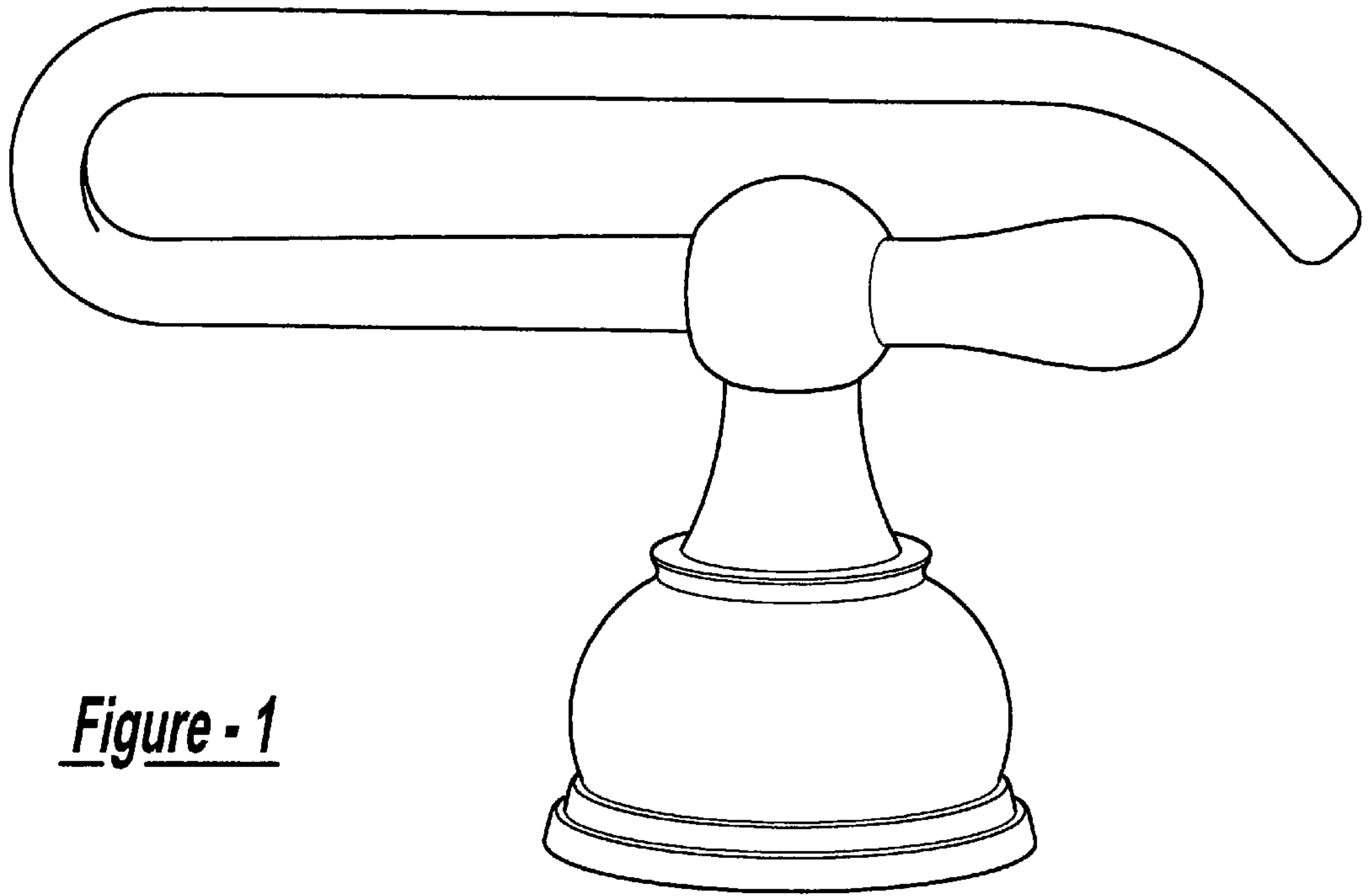


Figure - 1

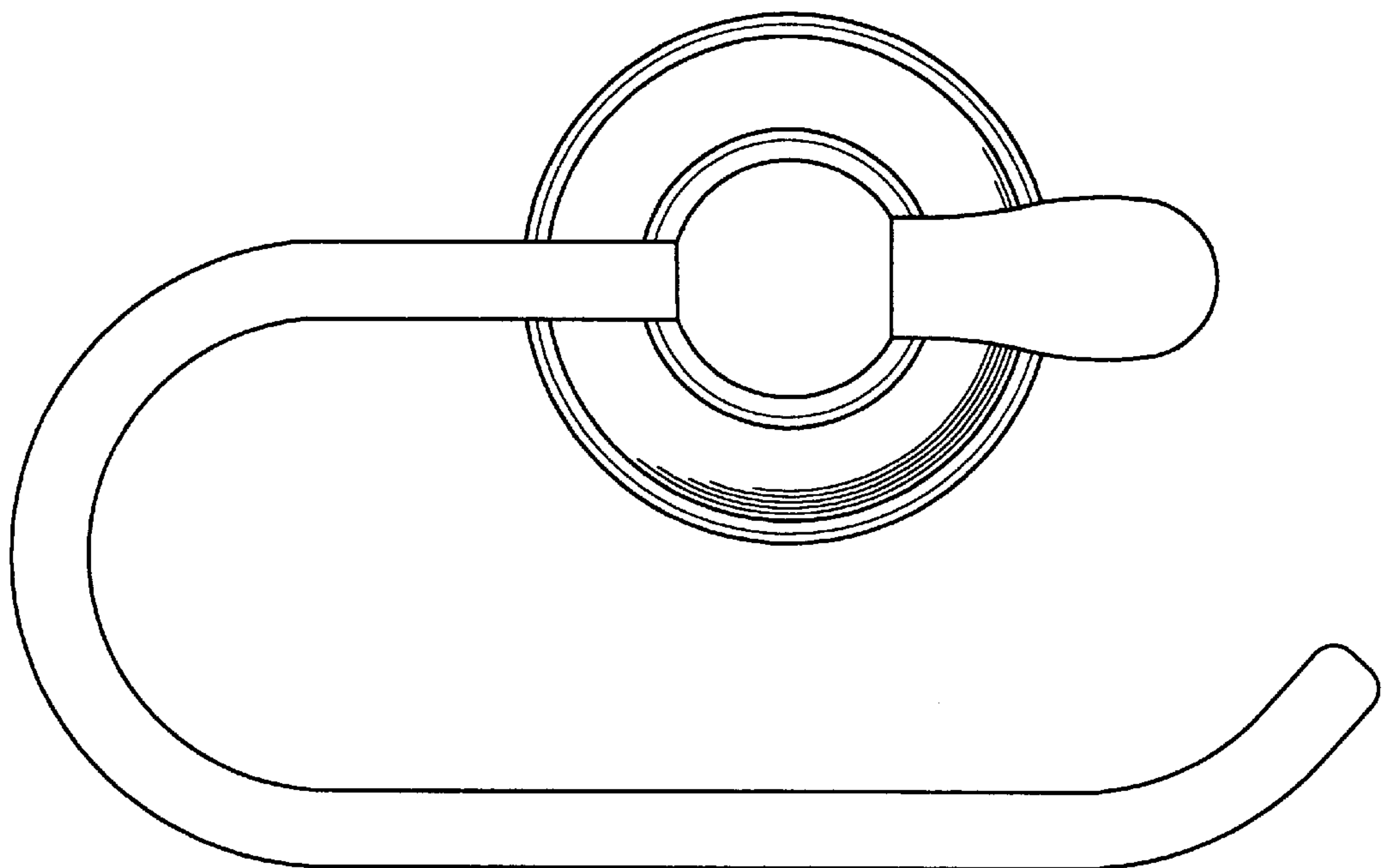


Figure - 2

Figure - 3

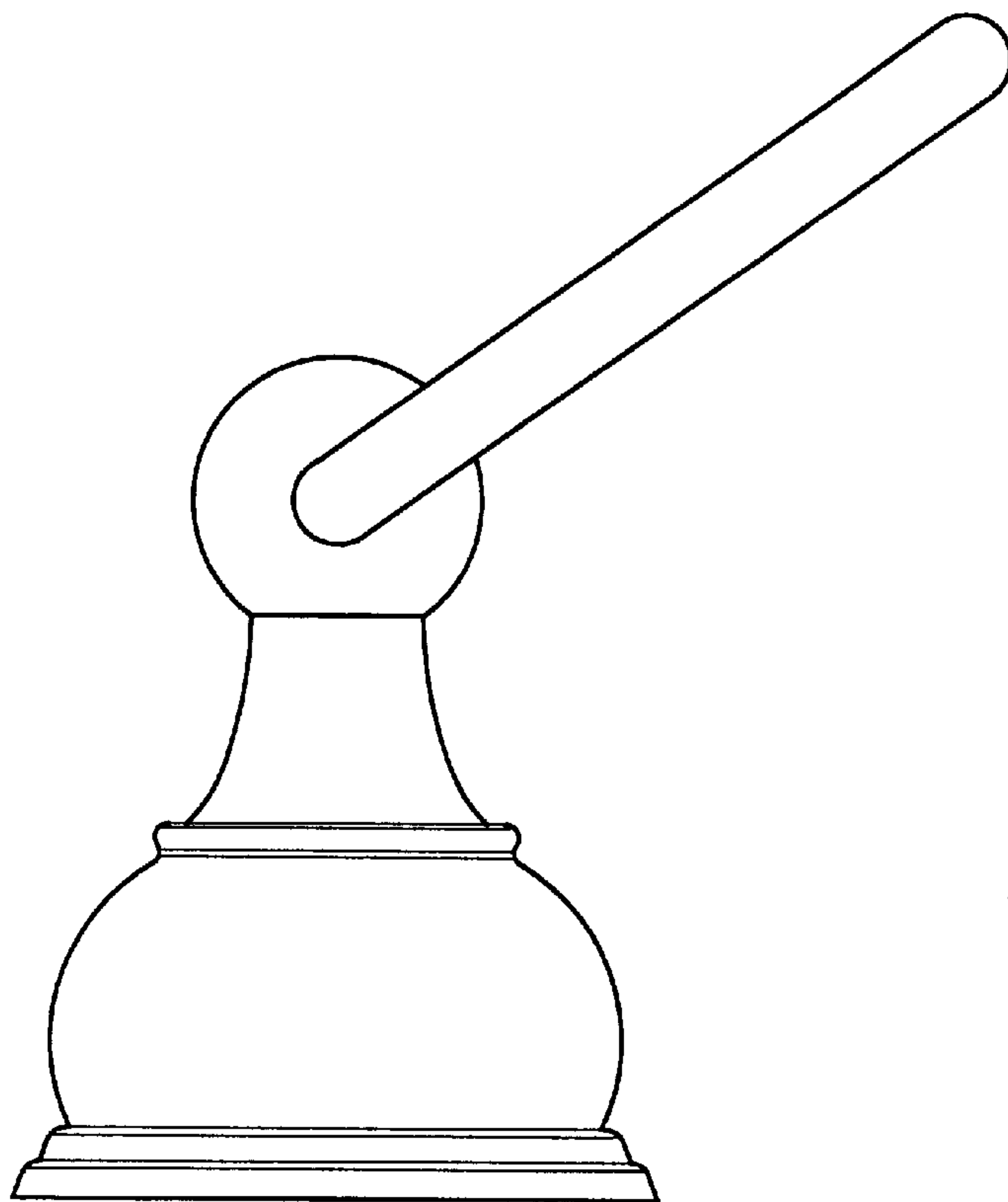
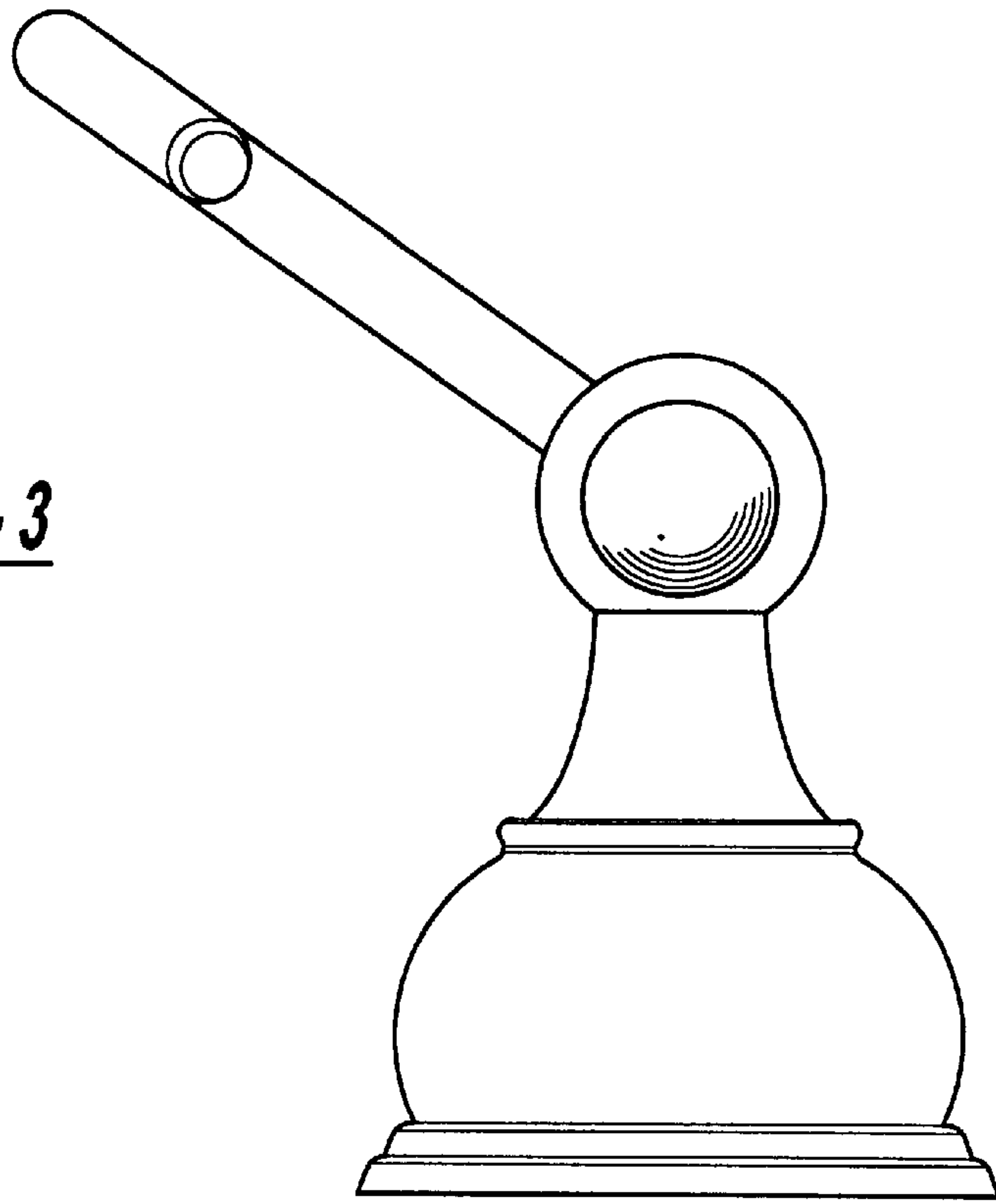


Figure - 4

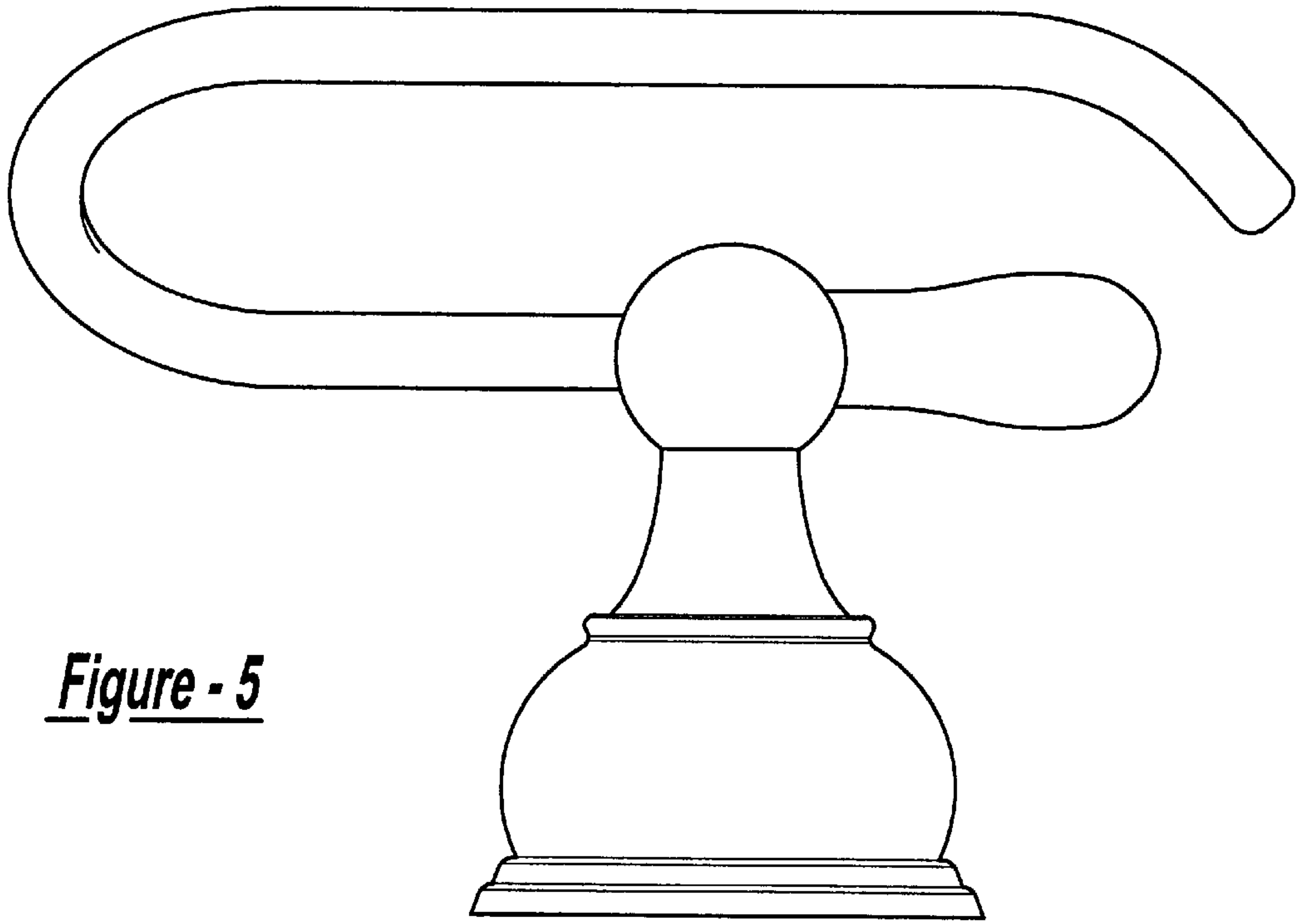


Figure - 5

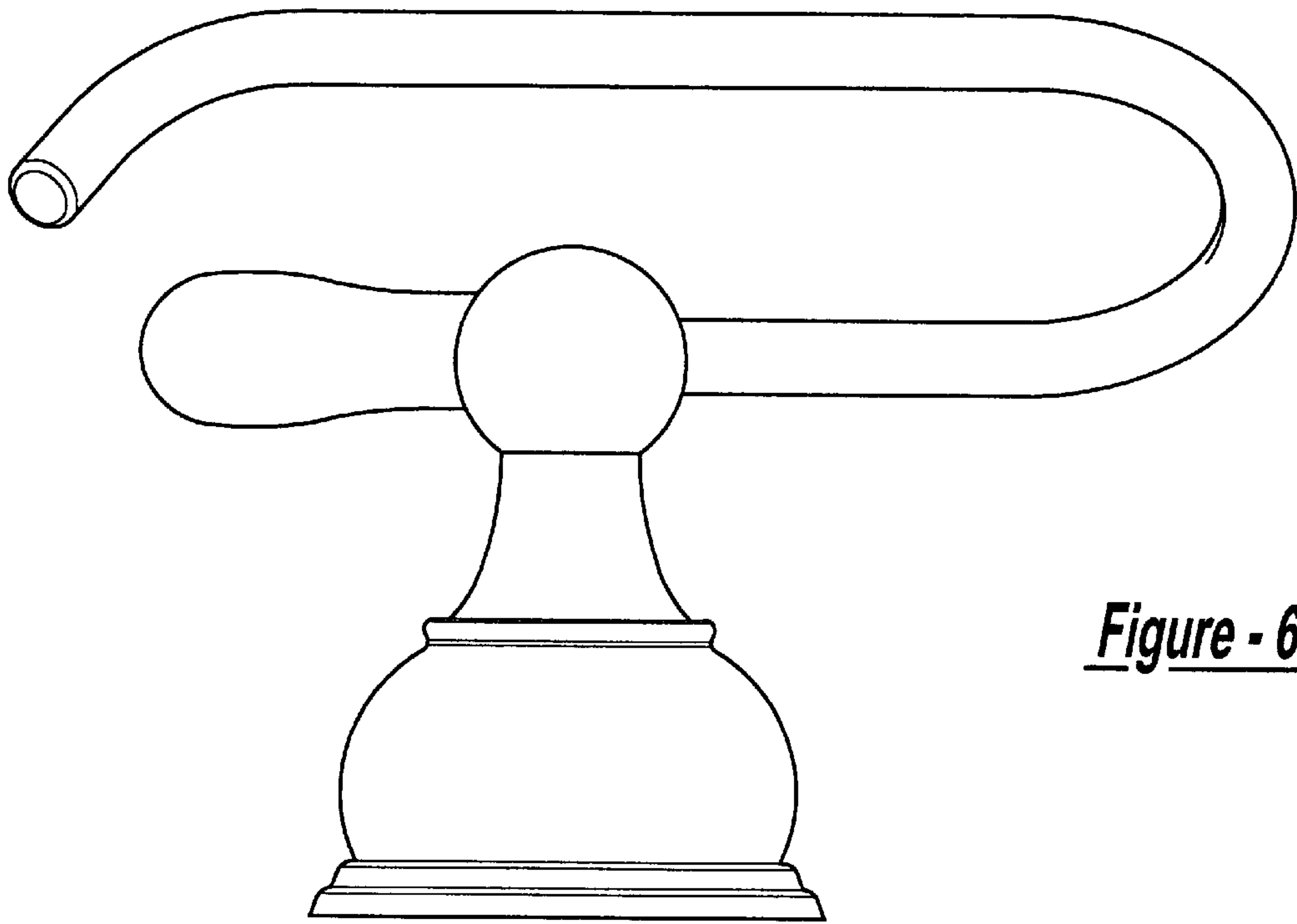


Figure - 6

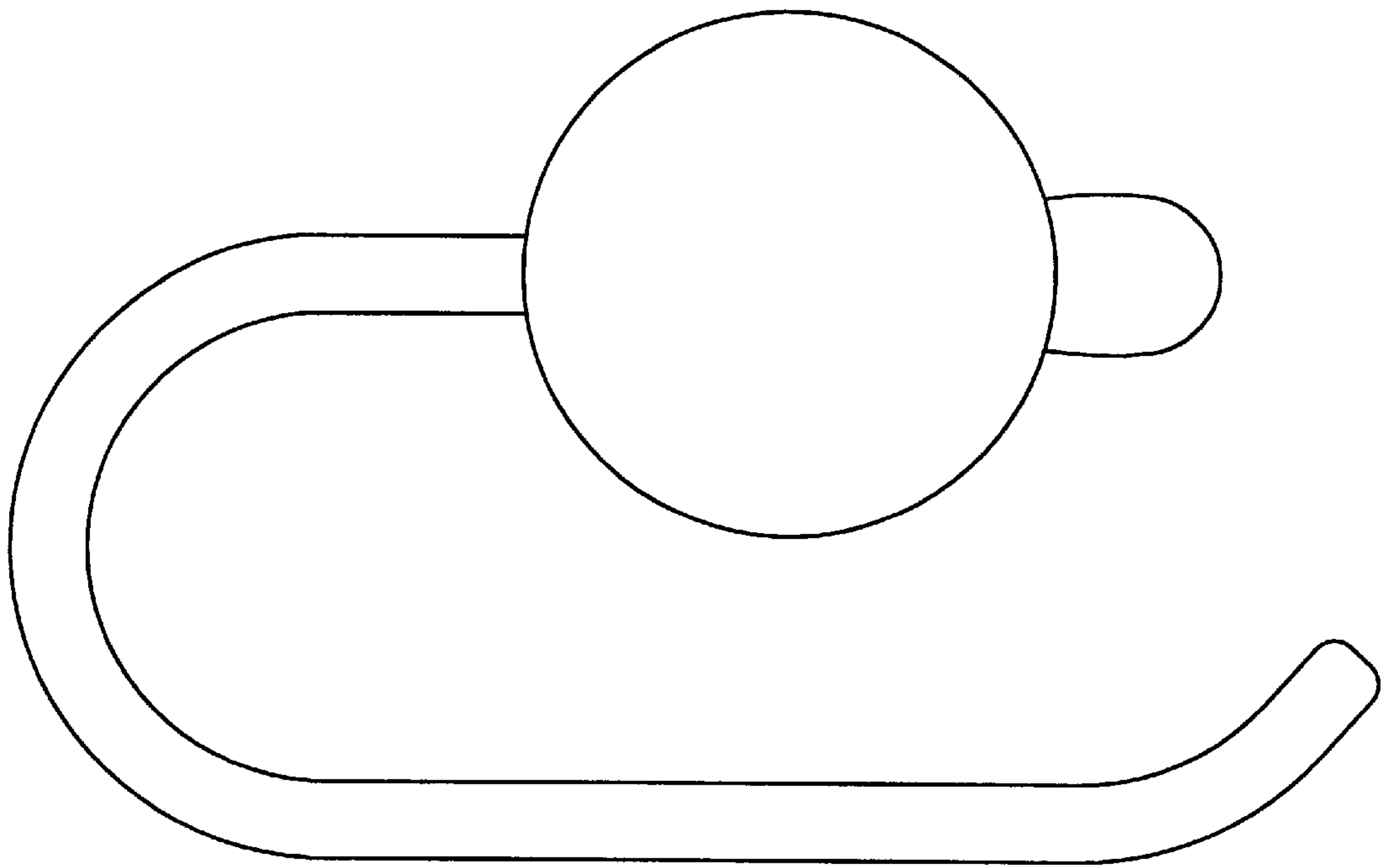


Figure - 7