



US00D433260S

**United States Patent** [19]  
**Shimbo et al.**

[11] **Patent Number: Des. 433,260**  
[45] **Date of Patent: \*\* Nov. 7, 2000**

[54] **DISPENSER FOR PLATE GUMS**  
[75] Inventors: **Masao Shimbo; Shoji Kobayashi**, both  
of Kashiwazaki, Japan  
[73] Assignee: **Bourbon Corporation**, Tokyo, Japan  
[\*\*] Term: **14 Years**  
[21] Appl. No.: **29/120,409**  
[22] Filed: **Mar. 16, 2000**

D. 339,943 10/1993 Romme et al. .... D6/515  
D. 403,188 12/1998 Kansco ..... D6/515  
D. 415,424 10/1999 Hill ..... D6/515 X  
1,155,791 10/1915 Cabell ..... 206/37  
2,197,219 4/1940 Groshong ..... 206/37 X  
4,170,914 10/1979 Carrier .  
4,465,208 8/1984 Buban et al. .  
5,353,956 10/1994 Wilson .  
5,370,219 12/1994 Violett, Jr. .... 206/37 X  
5,649,642 7/1997 Mabry et al. .

**Related U.S. Application Data**

[62] Division of application No. 29/103,925, Apr. 26, 1999.  
[51] **LOC (7) Cl.** ..... **20-02**  
[52] **U.S. Cl.** ..... **D6/515**  
[58] **Field of Search** ..... D6/515, 517; D3/201;  
D9/414, 418, 499; 206/38, 37, 39, 394,  
449, 800

**References Cited**

**U.S. PATENT DOCUMENTS**

D. 331,074 11/1992 Dotterman et al. .... D6/515 X  
D. 332,347 1/1993 Raadt et al. .... D9/414 X

**FOREIGN PATENT DOCUMENTS**

741062 2/1995 Japan .  
8282748 10/1996 Japan .

*Primary Examiner*—Brian N. Vinson

**CLAIM**

The ornamental design for a dispenser for plate gums, as shown and described.

**DESCRIPTION**

FIG. 1 is a front perspective view of a dispenser for plate gums showing our new design; FIG. 2 is a left-side elevational view thereof; and, FIG. 3 is a top plan view thereof.

**1 Claim, 1 Drawing Sheet**

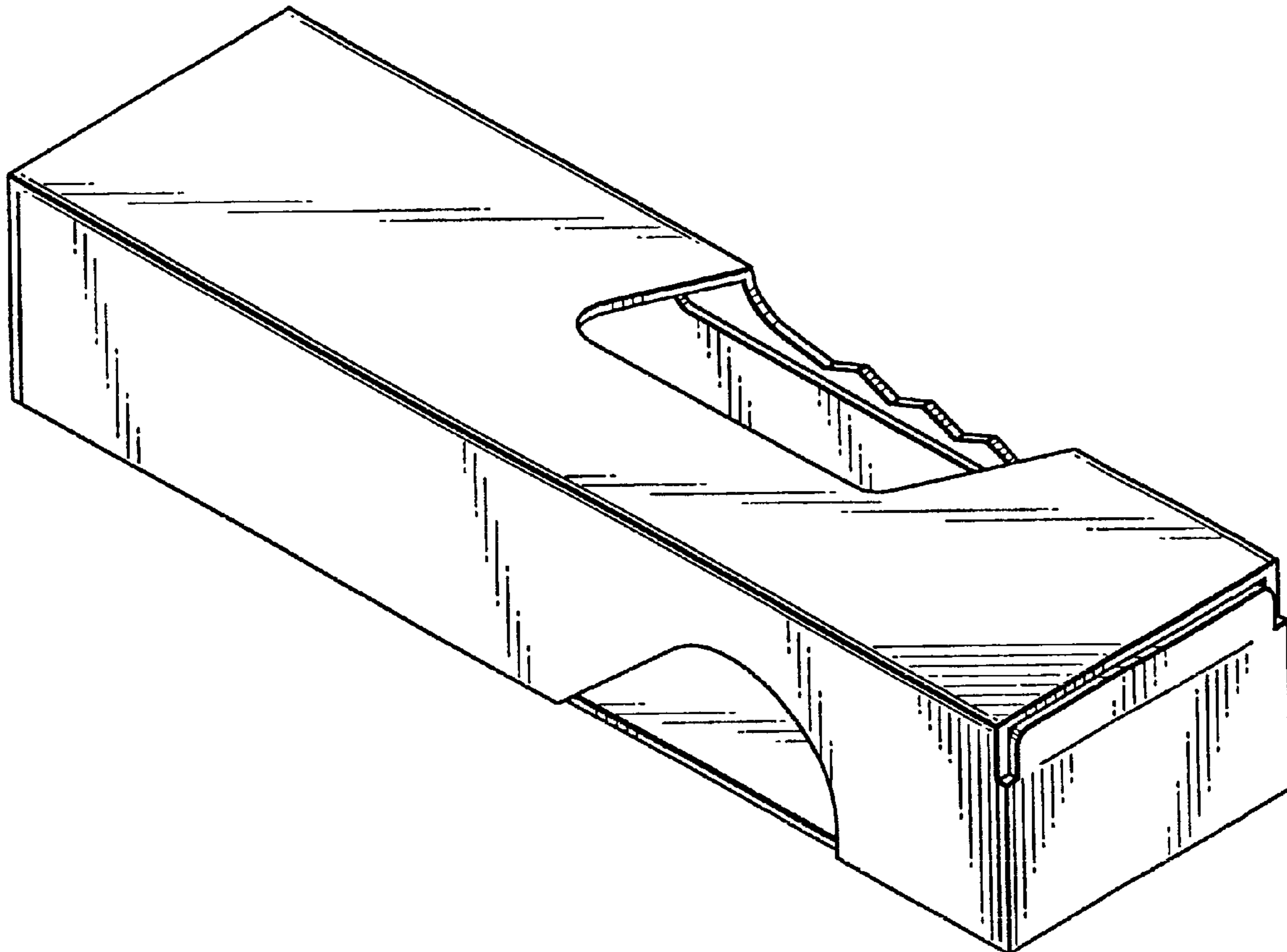


Fig. 1

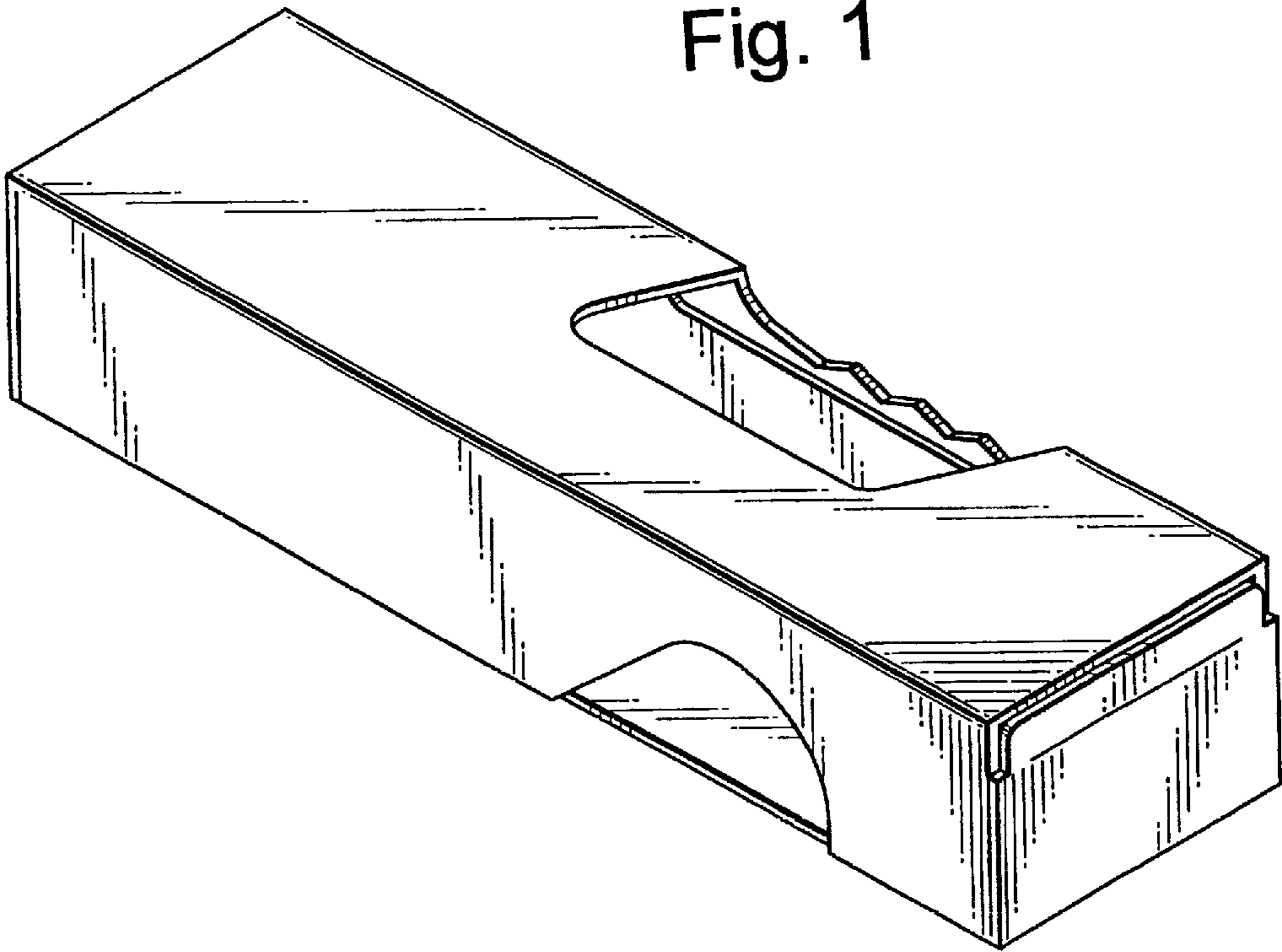


Fig. 2

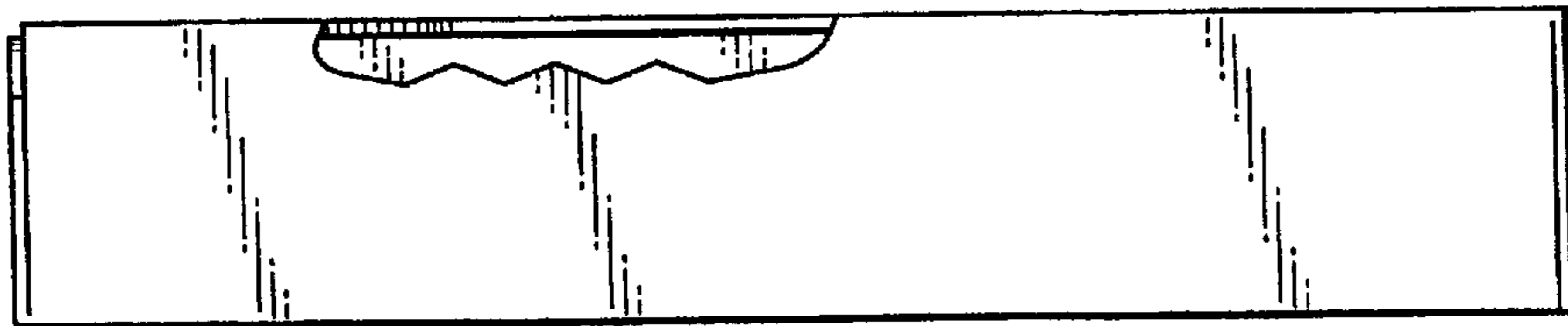
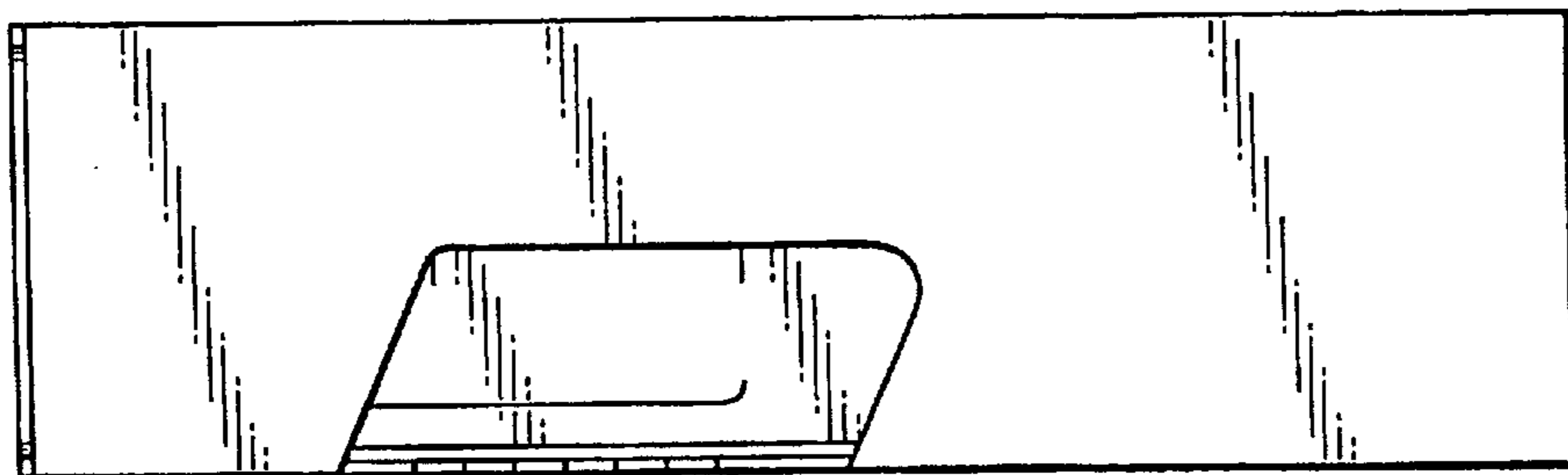


Fig. 3



UNITED STATES PATENT AND TRADEMARK OFFICE  
**CERTIFICATE OF CORRECTION**

PATENT NO. : Des. 433,260  
DATED : November 7, 2000  
INVENTOR(S) : Masao Shimbo, et. al.

It is certified that error appears in the above-identified patent and that said Letters Patent is hereby corrected as shown below:

Title page, item [54] and col. 1, change the title from "DISPENSER FOR PLATE GUMS" to --DISPENSER FOR PLATE GUMS OR THE LIKE--

Title page, item [73], Assignee: should read as follows: Bourbon Corporation, Niigata, Japan--

Signed and Sealed this  
Thirteenth Day of March, 2001

*Attest:*



NICHOLAS P. GODICI

*Attesting Officer*

*Acting Director of the United States Patent and Trademark Office*