



US00D433259S

# United States Patent [19] Rashid

[11] **Patent Number: Des. 433,259**

[45] **Date of Patent: \*\* Nov. 7, 2000**

[54] **TABLE TOP**

D. 268,715 4/1983 Curry ..... D6/486

[75] Inventor: **Karim Rashid**, New York, N.Y.

*Primary Examiner*—Janice E. Seeger  
*Attorney, Agent, or Firm*—SAIDMAN DesignLaw Group

[73] Assignee: **Umbra, Inc.**, Buffalo, N.Y.

[\*\*] Term: **14 Years**

[57] **CLAIM**

The ornamental design for a table top, as shown and described.

[21] Appl. No.: **29/119,182**

[22] Filed: **Feb. 25, 2000**

**DESCRIPTION**

[51] **LOC (7) Cl.** ..... **06-06**

FIG. 1 is a perspective view of a table top showing my new design;

[52] **U.S. Cl.** ..... **D6/511**

FIG. 2 is a top view thereof; and,  
FIG. 3 is a front view thereof; the back, left, and right side views being substantially identical thereto.

[58] **Field of Search** ..... D6/480-489, 511,  
D6/422, 423, 429; 108/153.1, 155, 156,  
157.1, 161, 50.01, 50.02

The bottom view of the table top is not part of the claimed design.

[56] **References Cited**

The broken lines in FIGS. 1-3 represent unclaimed subject matter.

**U.S. PATENT DOCUMENTS**

- D. 178,297 7/1956 Little ..... D6/483
- D. 252,432 7/1979 Brelsford ..... D6/480

**1 Claim, 3 Drawing Sheets**

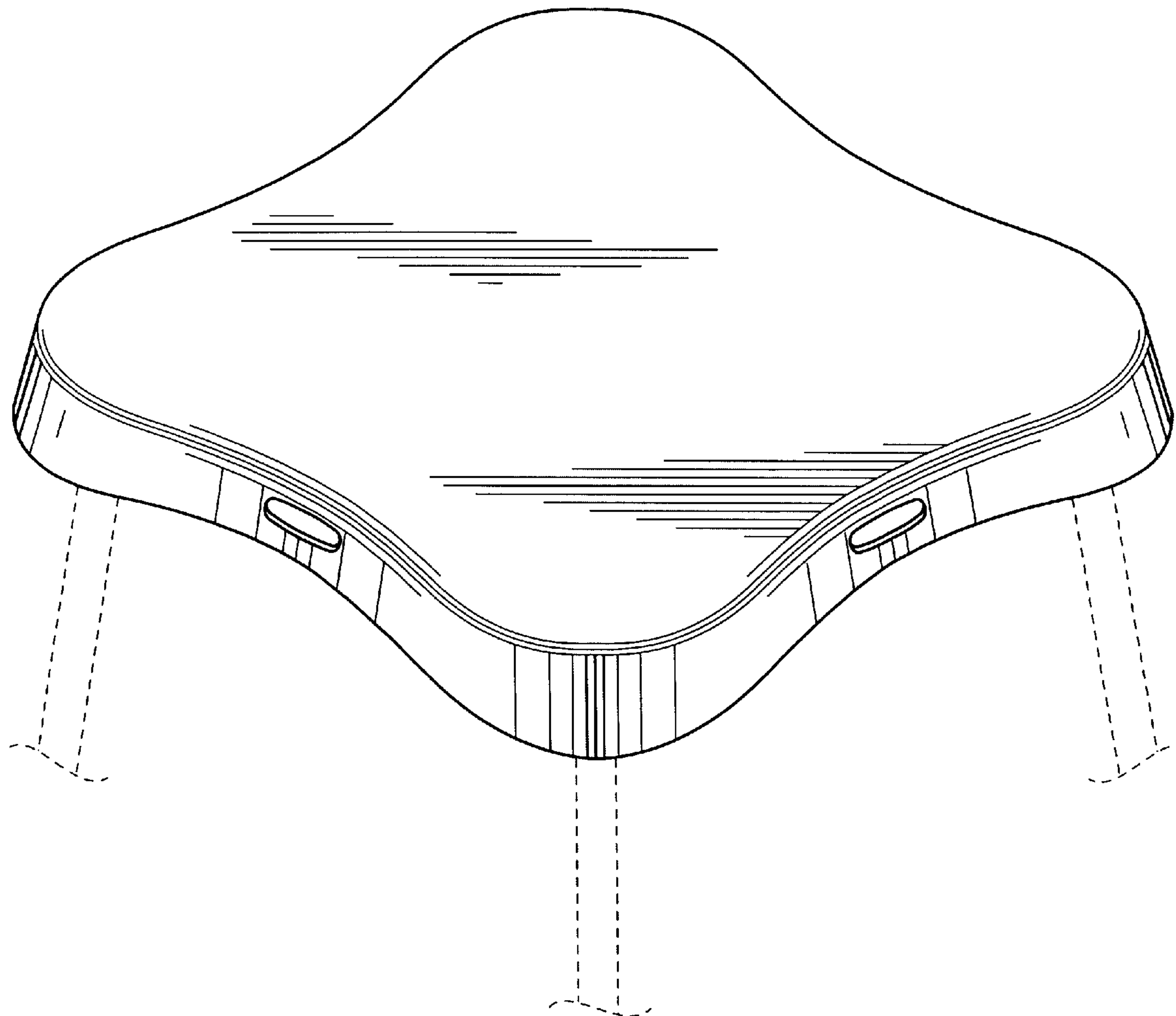


FIG. 1

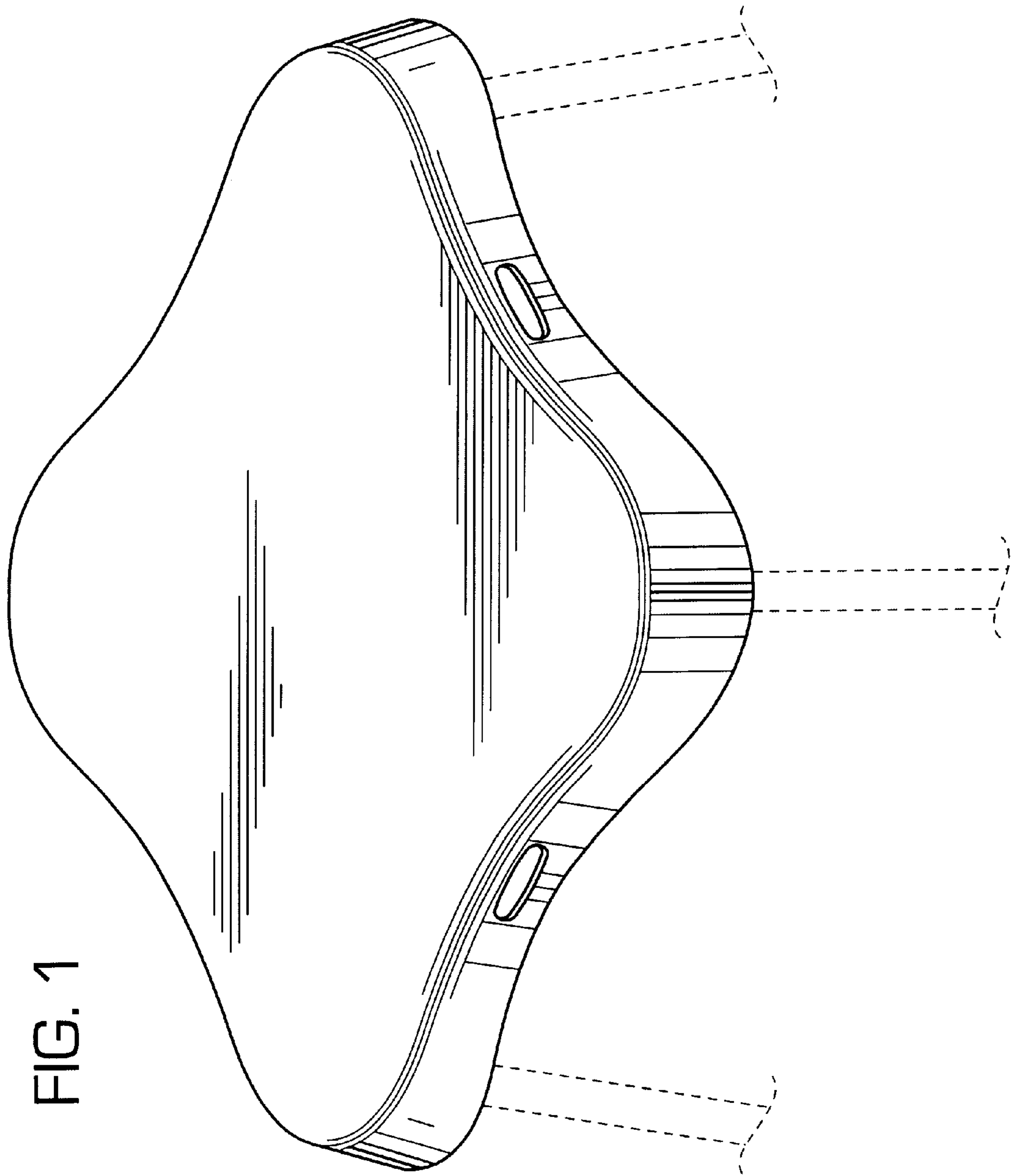


FIG. 2

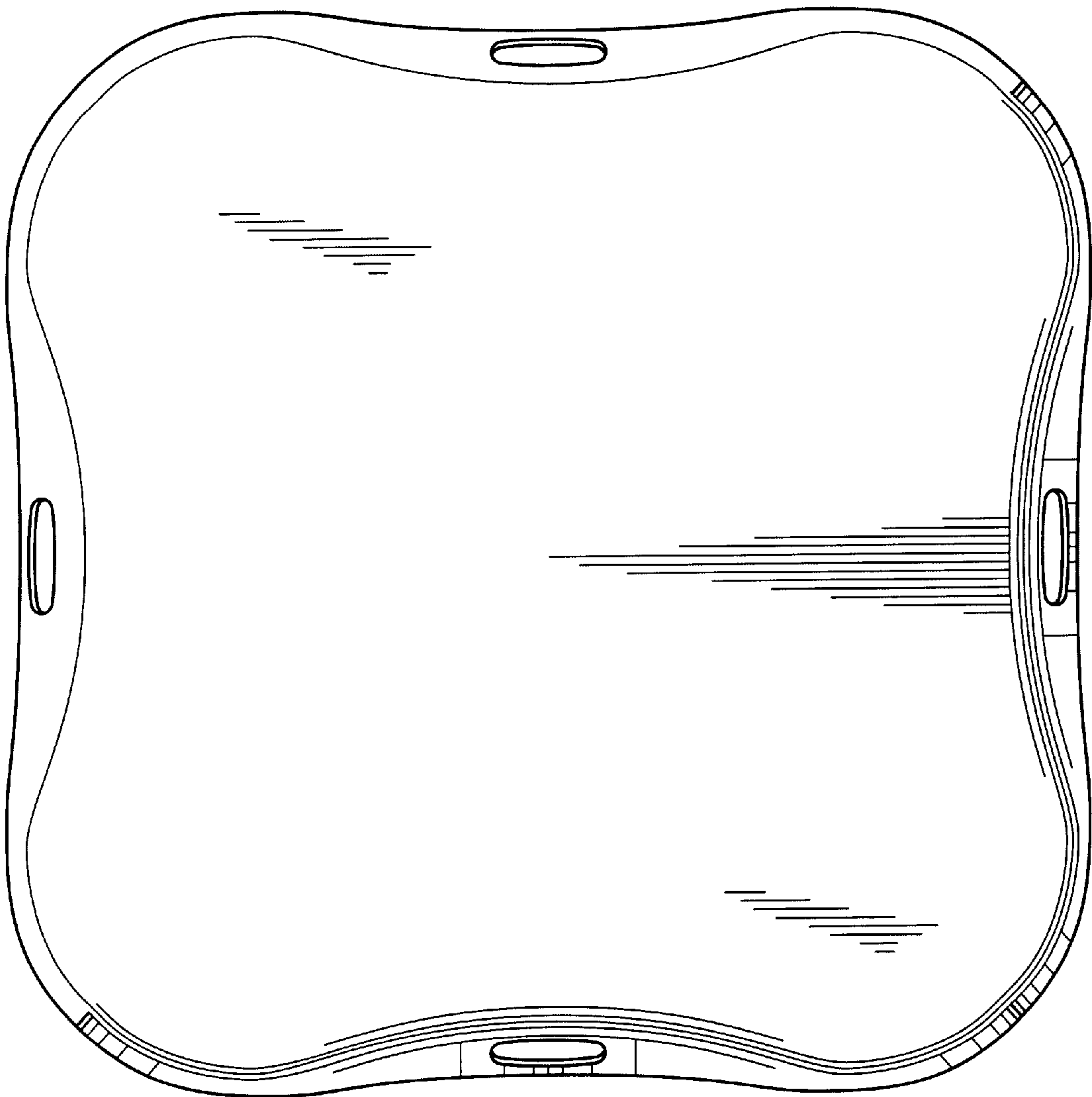


FIG. 3

