



US00D433258S

United States Patent [19] Chan

[11] **Patent Number: Des. 433,258**

[45] **Date of Patent: ** Nov. 7, 2000**

[54] **BENCH BACK**

[75] Inventor: **Eric P. Chan**, New York, N.Y.

[73] Assignee: **RPI Designs**, Marlette, Mich.

[**] Term: **14 Years**

[21] Appl. No.: **29/103,877**

[22] Filed: **Apr. 23, 1999**

[51] **LOC (7) Cl.** **06-06**

[52] **U.S. Cl.** **D6/502; D6/381**

[58] **Field of Search** D6/334, 335, 336,
D6/370, 374, 375, 376, 381, 500, 501,
502; 297/232, DIG. 2

[56] **References Cited**

U.S. PATENT DOCUMENTS

D. 165,952	2/1952	Weatherly	D6/375
D. 189,621	1/1961	Gershun	D6/336
D. 247,529	3/1978	Lamb	D6/336
D. 357,368	4/1995	Pedersen	D6/381 X
D. 360,995	8/1995	Pedersen	D6/381 X
D. 426,970	6/2000	Kolberg	D6/374

OTHER PUBLICATIONS

Brochure, RPI Designs, Wave Bench Series, Steel and Wood Seating, May 1997.

Primary Examiner—Gary D. Watson

Attorney, Agent, or Firm—Price, Heneveld, Cooper, DeWitt & Litton

[57] **CLAIM**

The ornamental design for bench back, as shown and described.

DESCRIPTION

FIG. 1 is a front perspective view of a bench back, showing my new design;

FIG. 2 is a front elevational view;

FIG. 3 is a back elevational view;

FIG. 4 is a left elevational view, the right side being a mirror image;

FIG. 5 is a top plan view;

FIG. 6 is a bottom plan view;

FIG. 7 is a front perspective view of an alternate embodiment incorporating spacers at the bottom of the bench back, showing my new design;

FIG. 8 is a front elevational view;

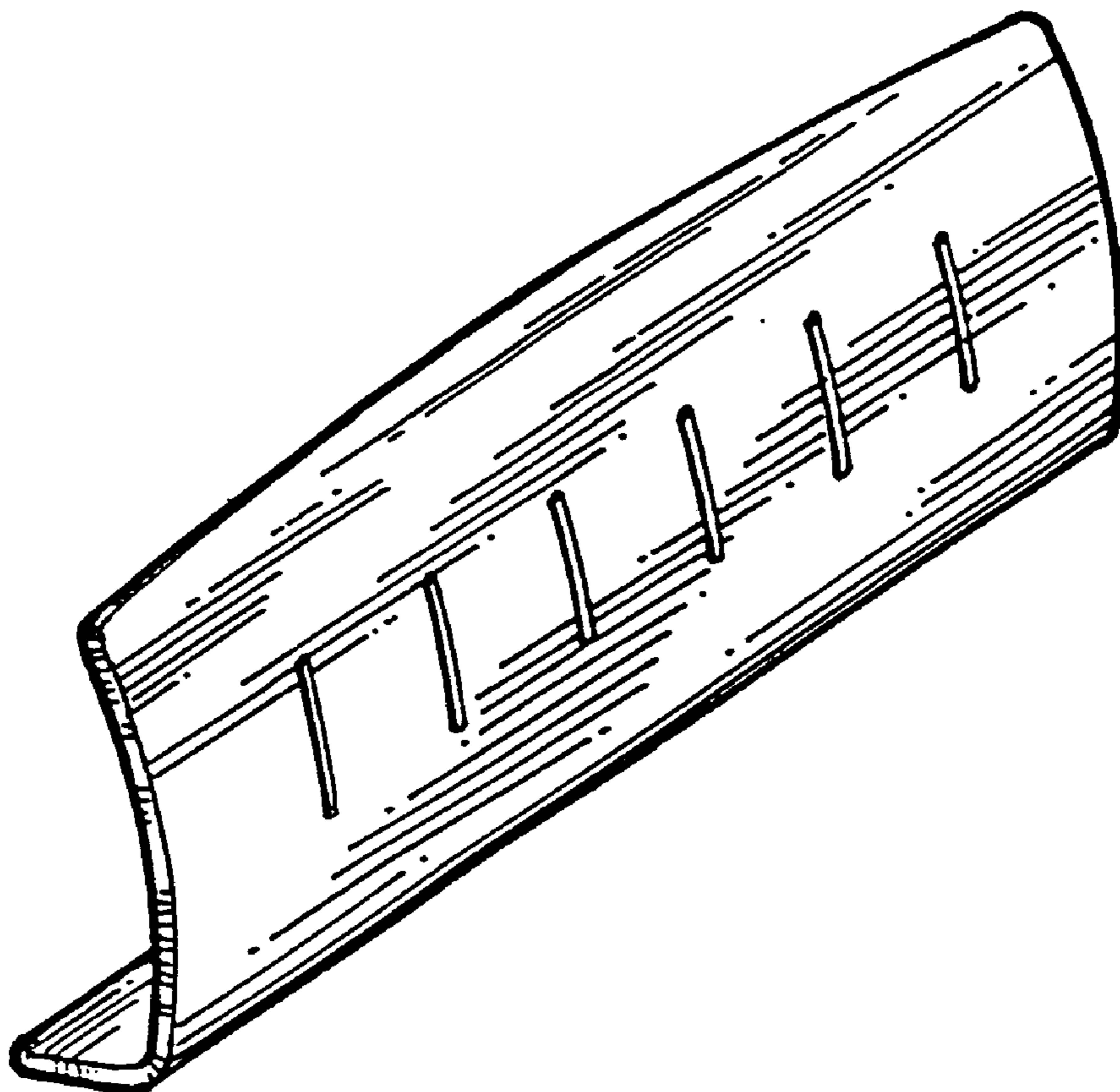
FIG. 9 is a back elevational view;

FIG. 10 is a left elevational view, the right side being a mirror image;

FIG. 11 is a top plan view; and,

FIG. 12 is a bottom plan view.

1 Claim, 4 Drawing Sheets



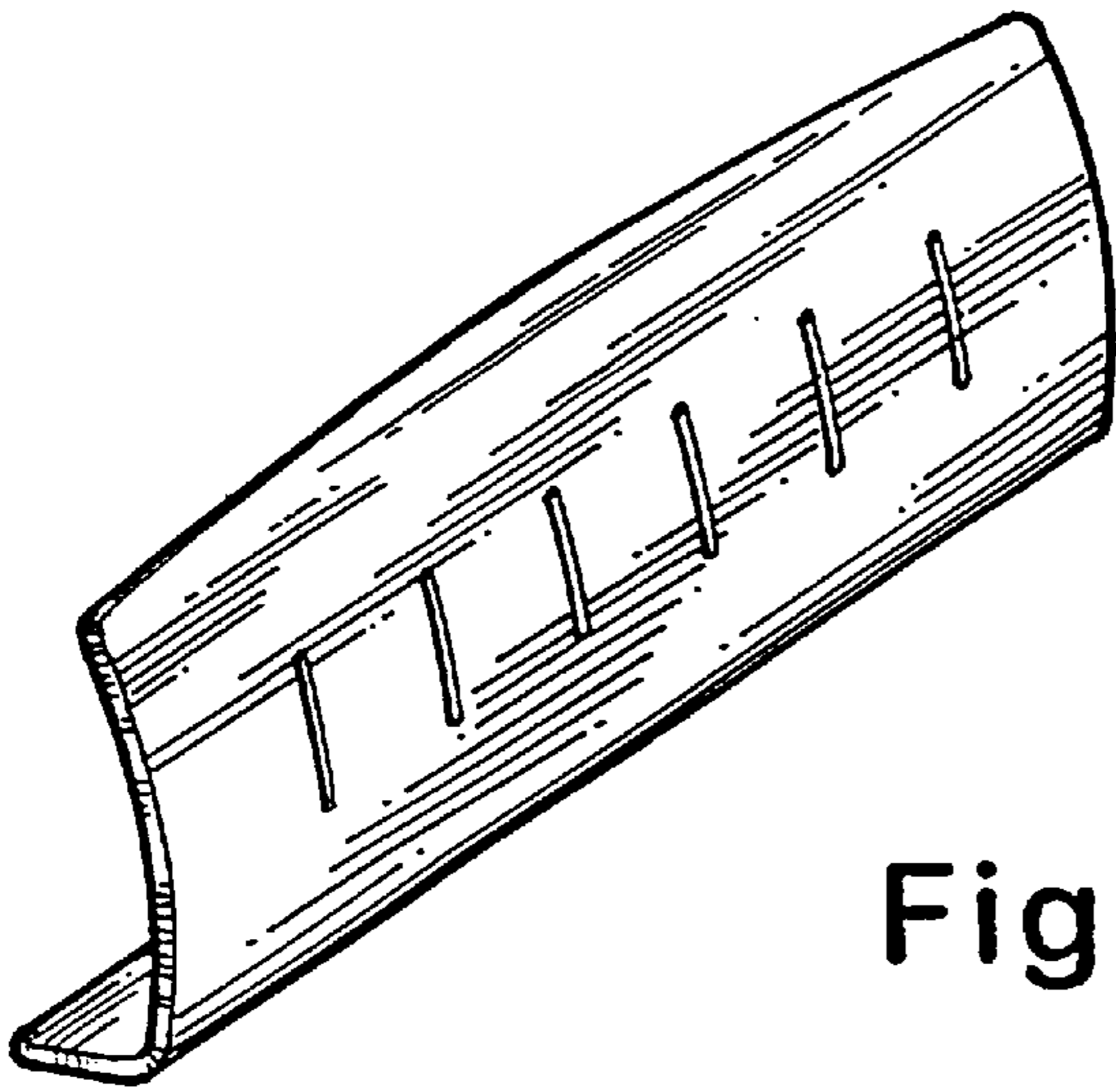


Fig. 1

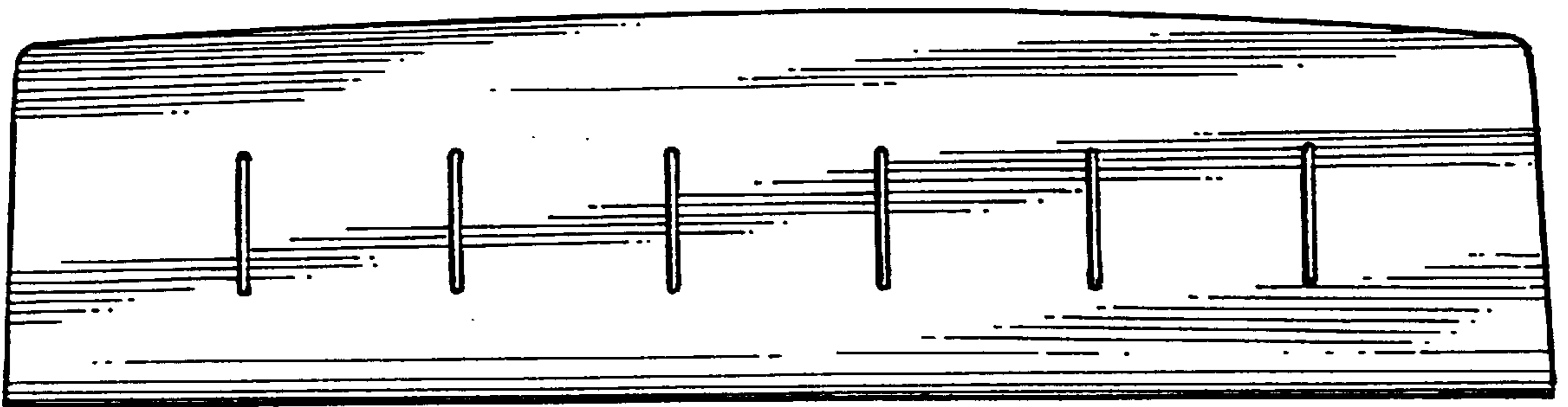


Fig. 2

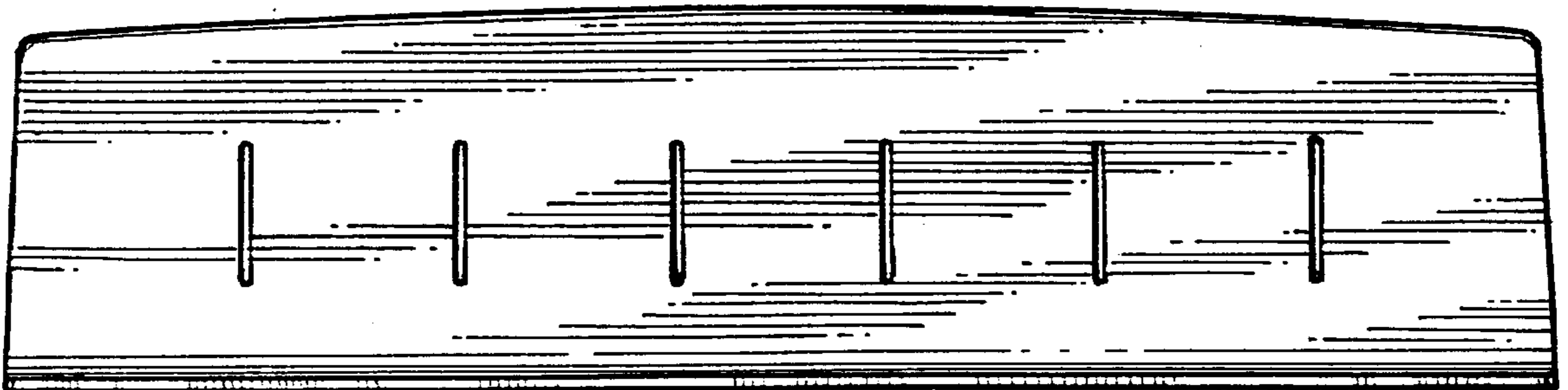


Fig. 3

Fig. 4

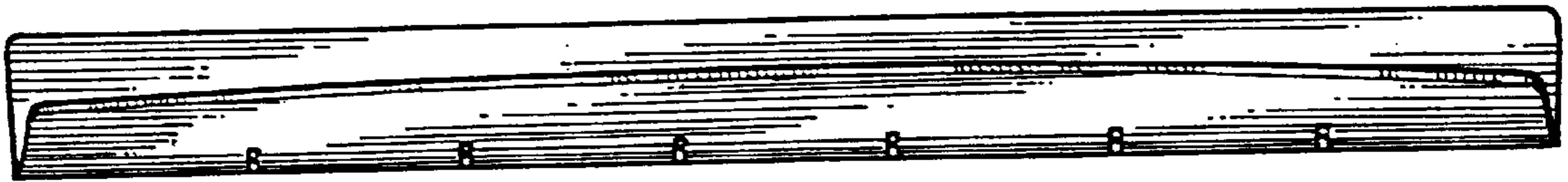
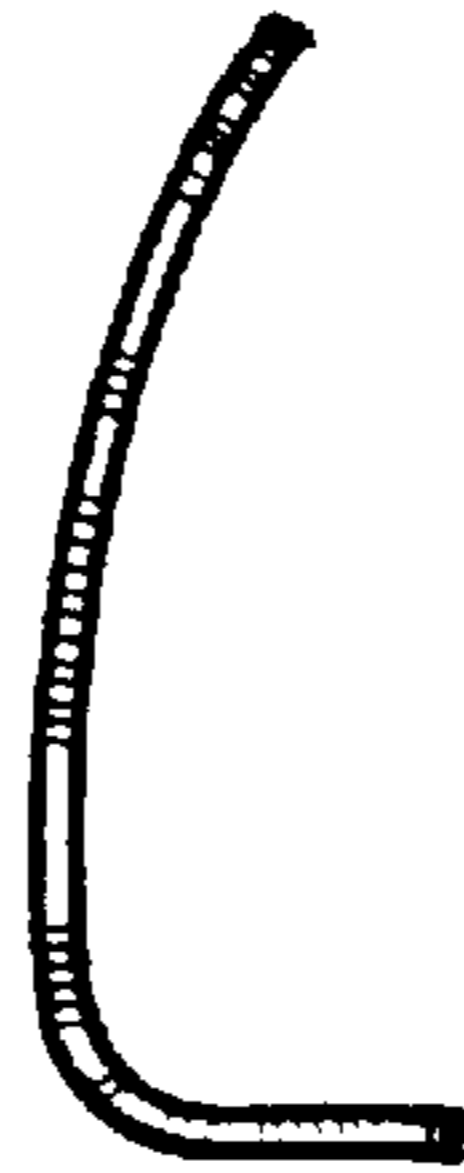


Fig. 5

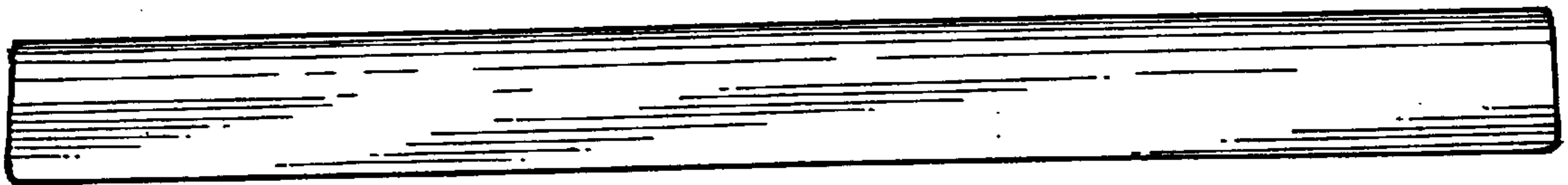


Fig. 6

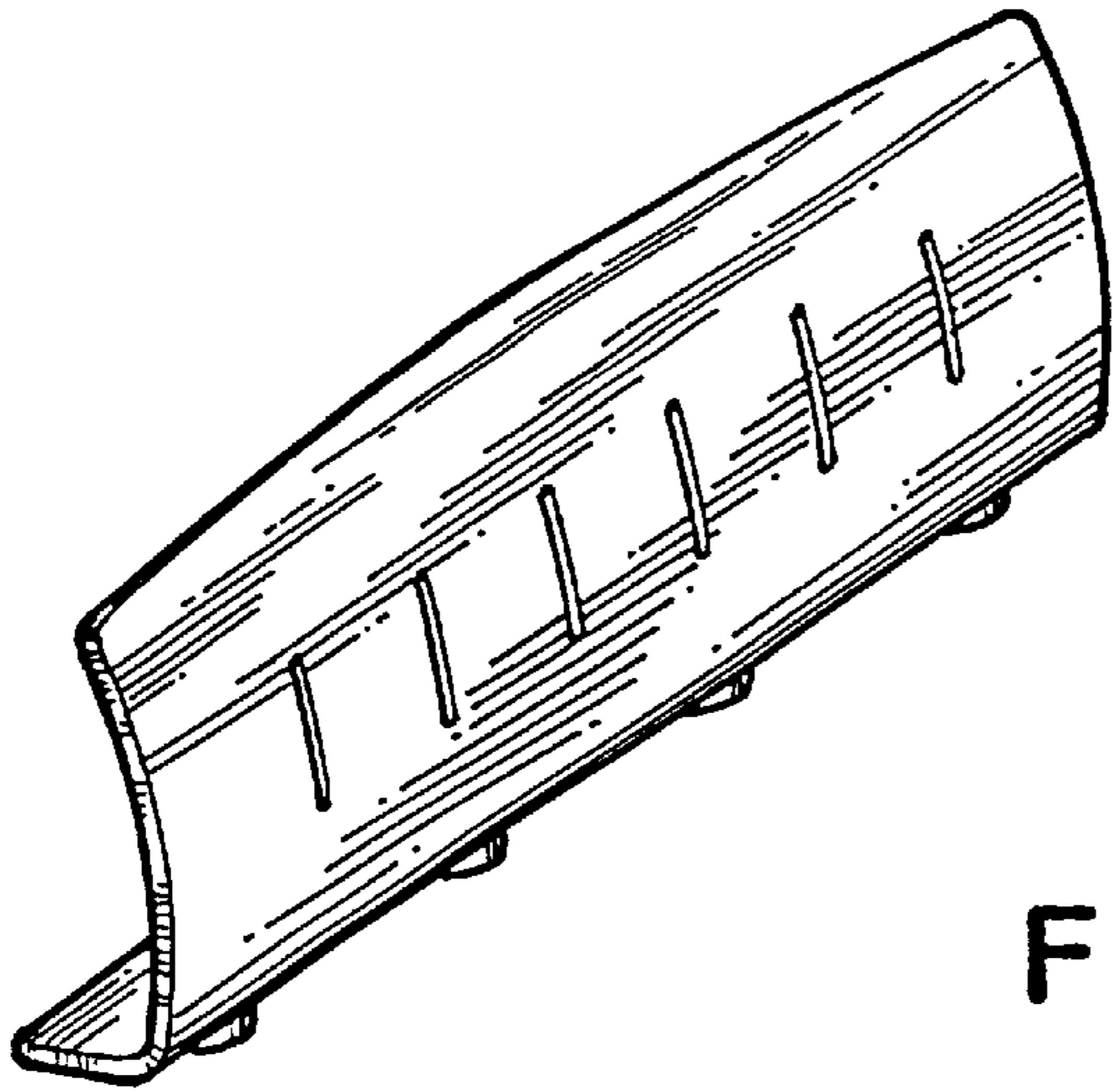


Fig. 7

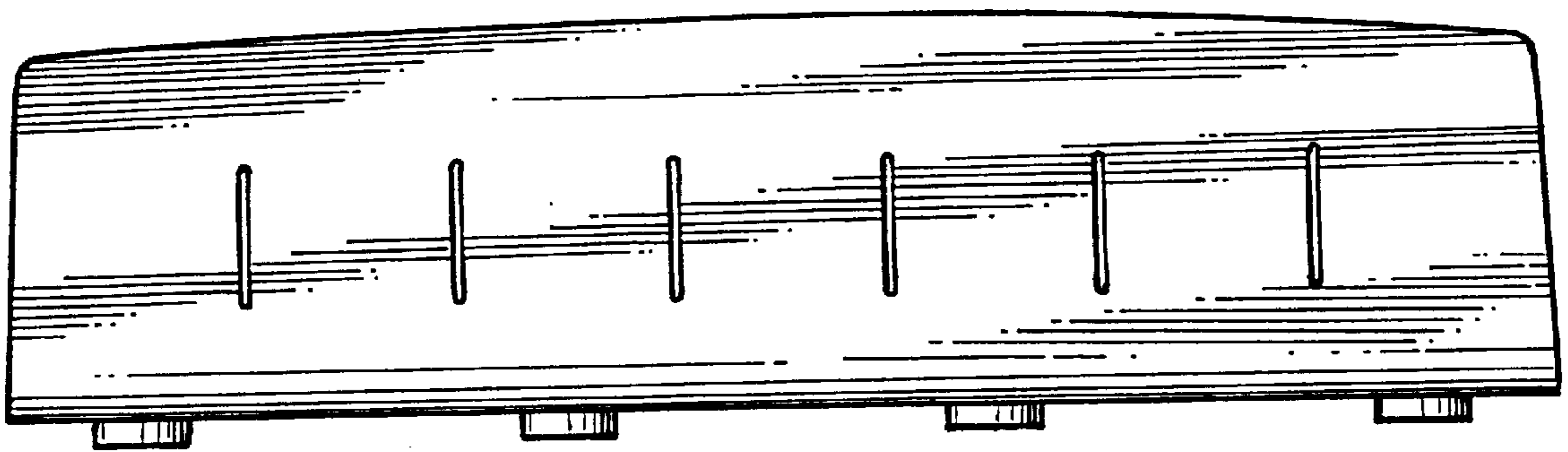


Fig. 8

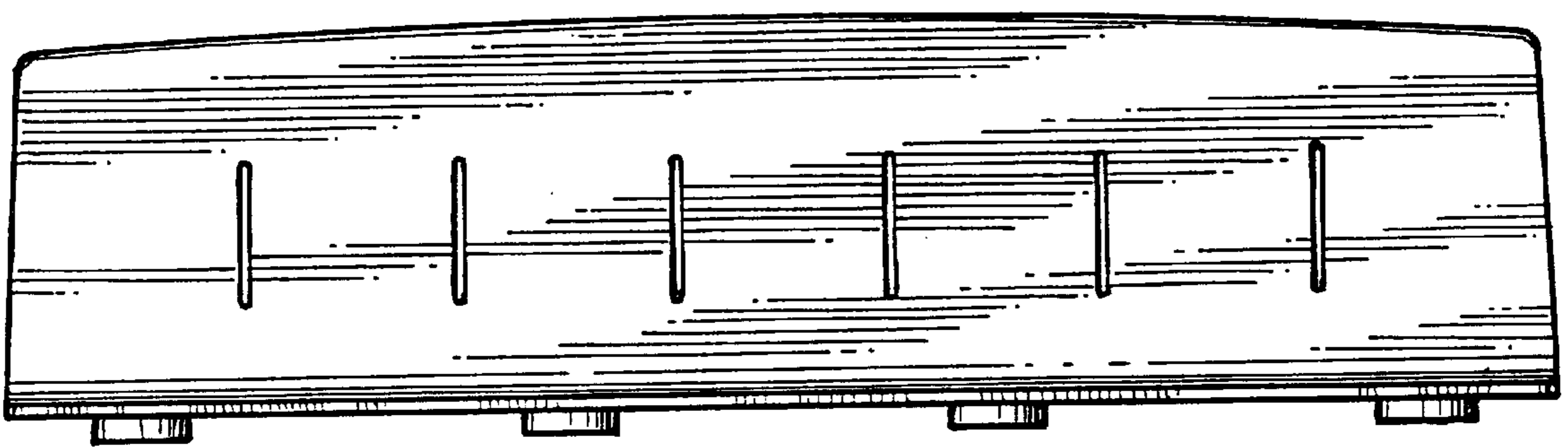


Fig. 9

Fig. 10

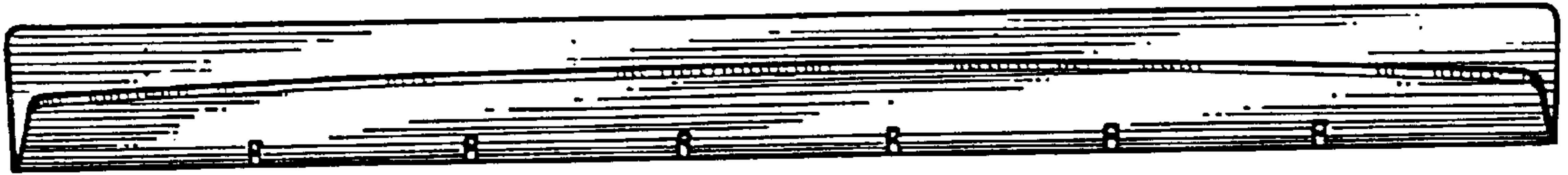
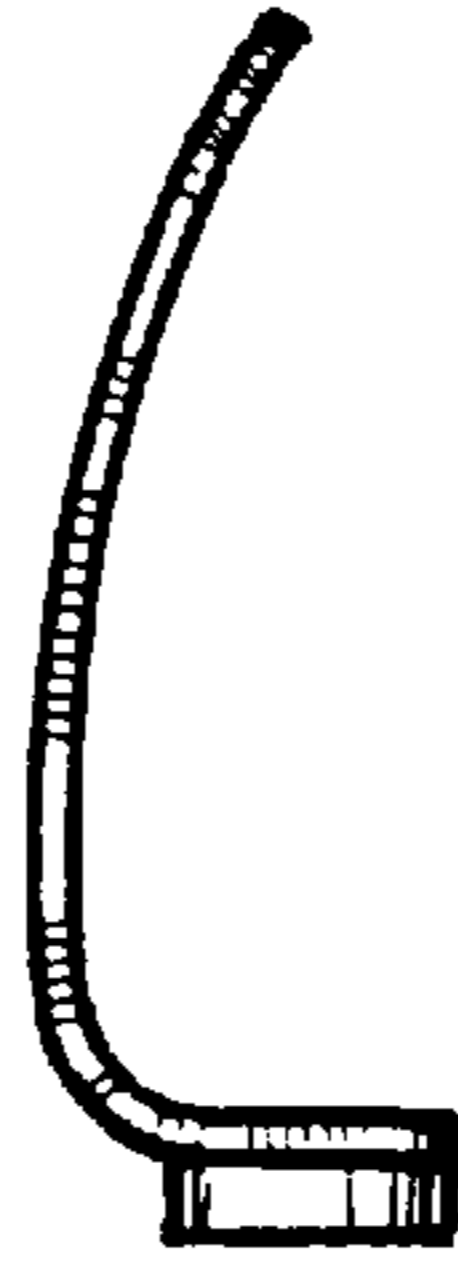


Fig. 11

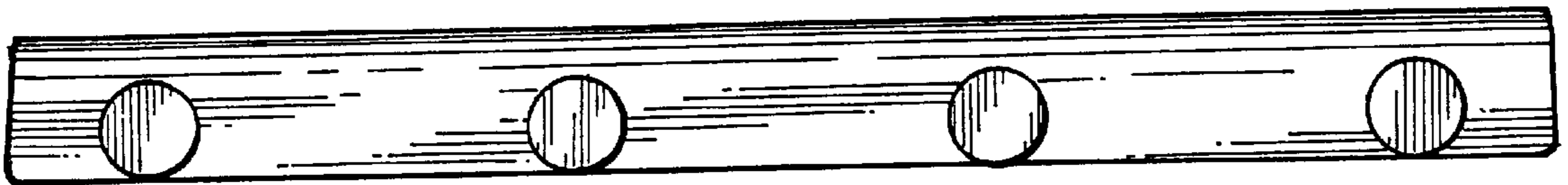


Fig. 12