



US00D433256S

United States Patent [19]

[11] Patent Number: Des. 433,256

Zaidman et al.

[45] Date of Patent: ** Nov. 7, 2000

[54] SET OF MOULDINGS FOR FURNITURE

[75] Inventors: **S. Paul Zaidman; Weldon John Neufeld**, both of Winnipeg, Canada

[73] Assignee: **Palliser Furniture Ltd.**, Canada

[**] Term: **14 Years**

[21] Appl. No.: **29/076,041**

[22] Filed: **Aug. 28, 1997**

[51] LOC (7) Cl. **06-04**

[52] U.S. Cl. **D6/491**

[58] Field of Search D6/432-448, 491,
D6/492, 495

[56] References Cited

U.S. PATENT DOCUMENTS

D. 270,127	8/1983	Aulbert et al.	D6/445
D. 346,288	4/1994	Black	D6/445
D. 374,572	10/1996	Paus	D6/445
D. 375,000	10/1996	Paus	D6/445
D. 384,520	10/1997	Bergelin	D6/445
D. 384,836	10/1997	Lenger	D6/445
D. 399,371	10/1998	Zaidman	D6/445

OTHER PUBLICATIONS

Furniture Today, p. 132; dresser on bottom left of page, Apr. 22, 1996.

Primary Examiner—Carmen H. Vales-Lado
Attorney, Agent, or Firm—Michael Best & Friedrich LLP

[57] CLAIM

The ornamental design for a set of mouldings for furniture, as shown and described.

DESCRIPTION

FIG. 1 is a front, right side perspective view of a set of mouldings for furniture showing my new design, the left side being a mirror image thereof;

FIG. 2 is a front, left side perspective view of a second embodiment of the set of mouldings for furniture shown in FIG. 1;

FIG. 3 is a front, right side perspective view of FIG. 1 on a different casegood;

FIG. 4 is a front elevational view thereof;

FIG. 5 is a front, left side perspective view of a third embodiment of the set of mouldings for furniture shown in FIG. 1;

FIG. 6 is a front, left side perspective view of a fourth embodiment of the set of mouldings for furniture shown in FIG. 1;

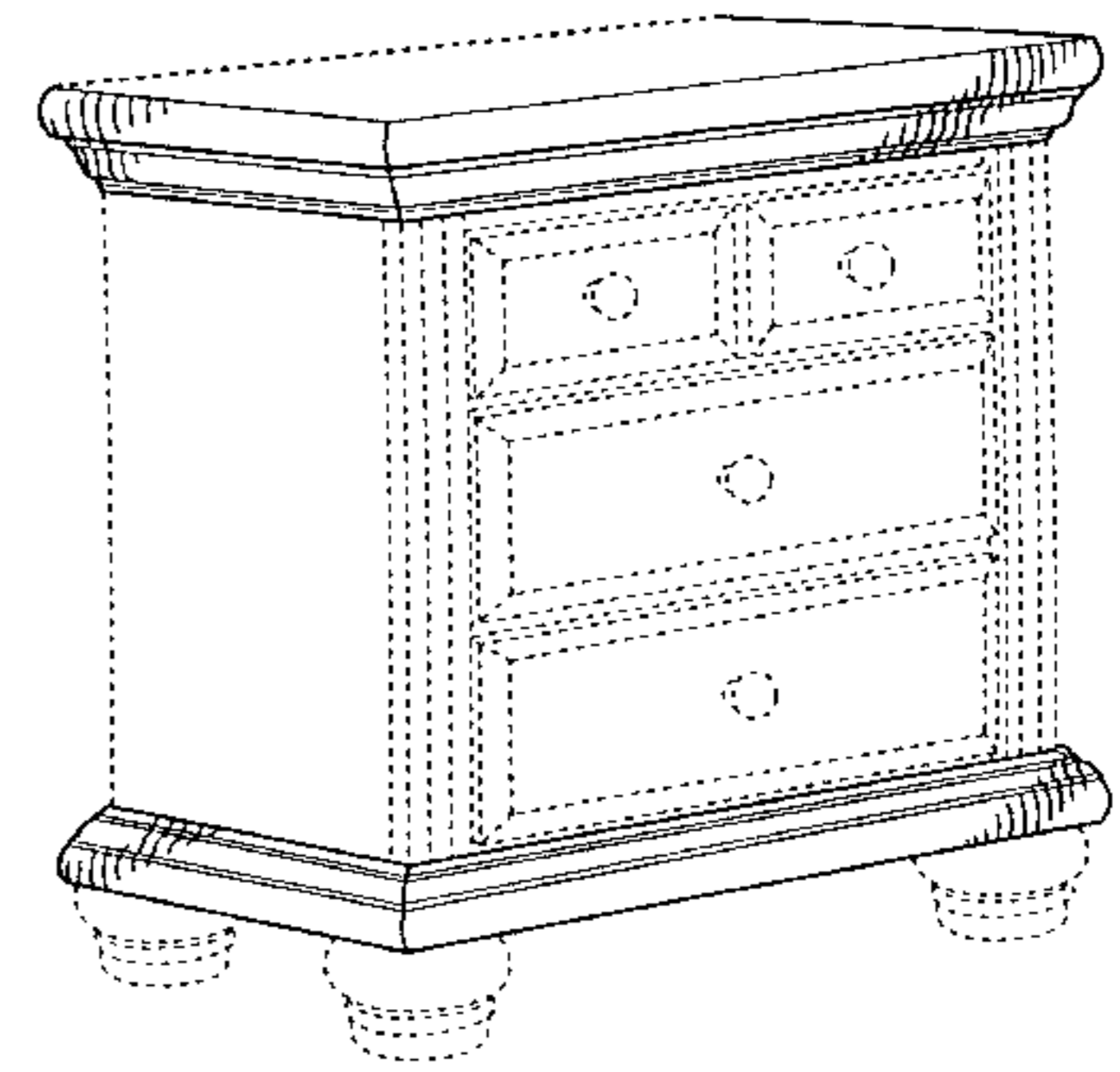
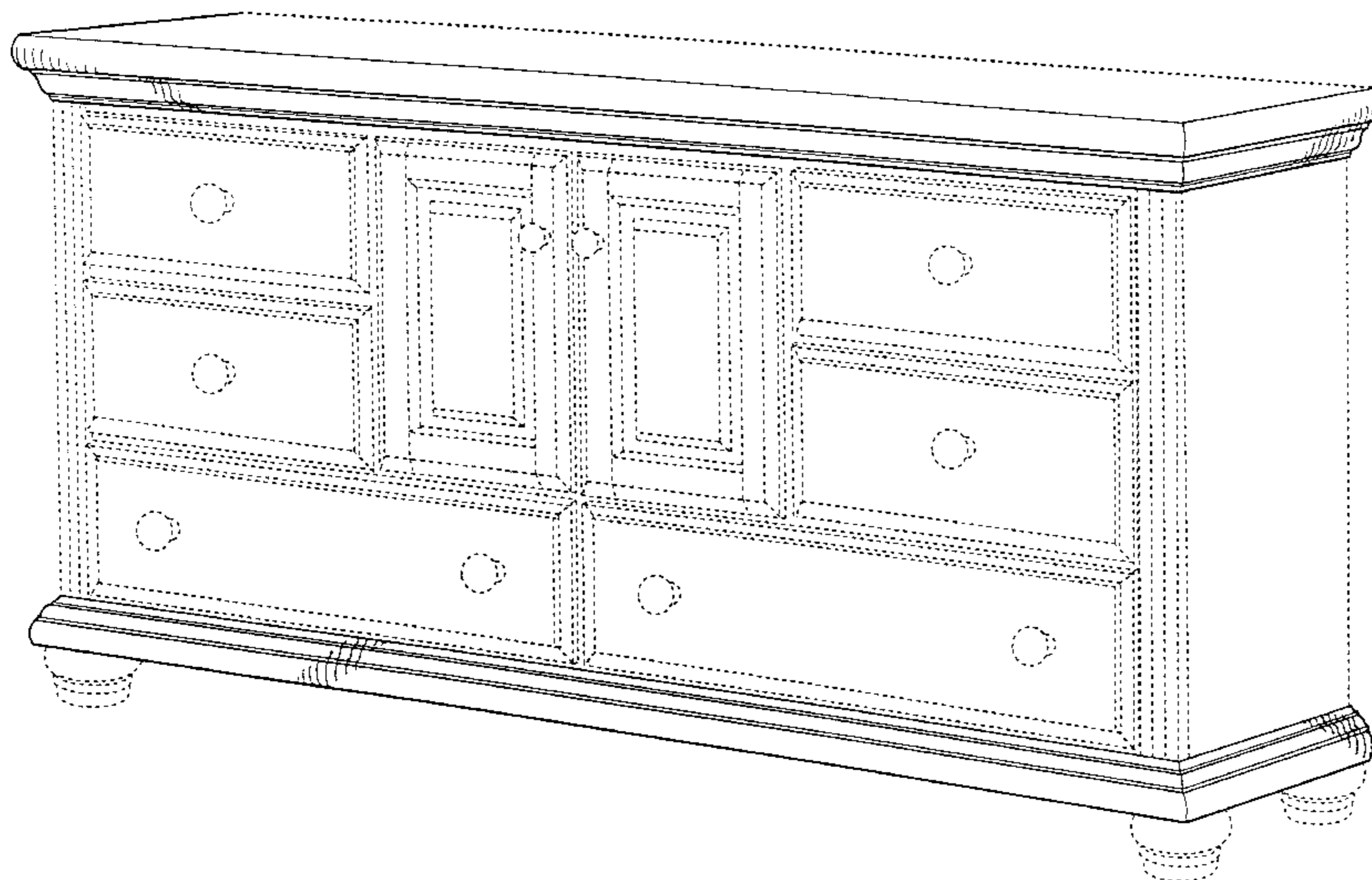
FIG. 7 is a front, right side perspective view of a fifth embodiment of the set of mouldings for furniture shown in FIG. 1;

FIG. 8 is a front, left side perspective view of FIG. 6 on a different casegood; and,

FIG. 9 is an enlarged front elevational view of the bottom right corner of the moulding.

The broken lines shown on the top rear of each casegood indicate the boundary of the claimed design; the other broken lines shown throughout the views are for environmental purposes and form no part of the claimed design.

1 Claim, 9 Drawing Sheets



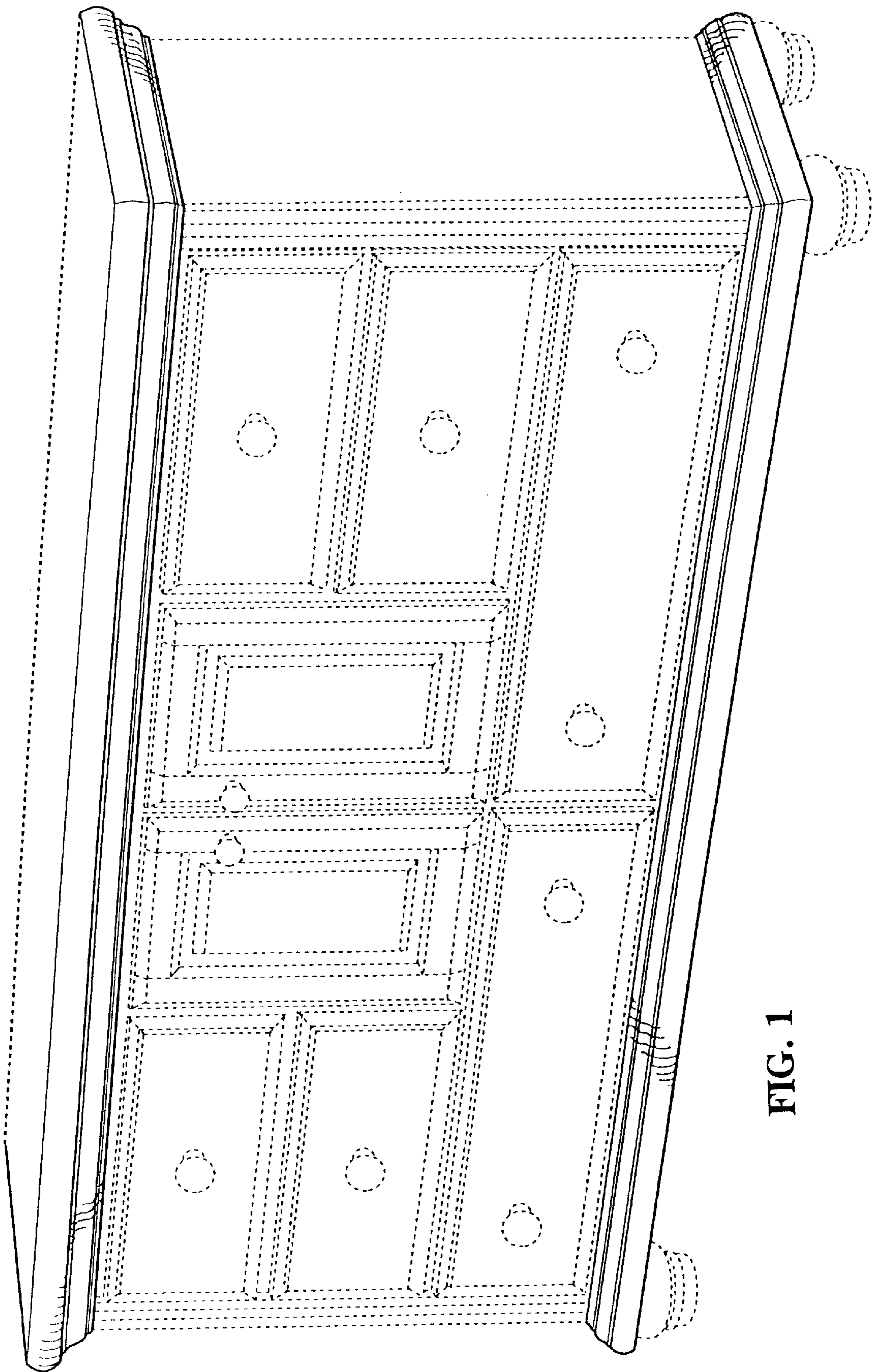


FIG. 1

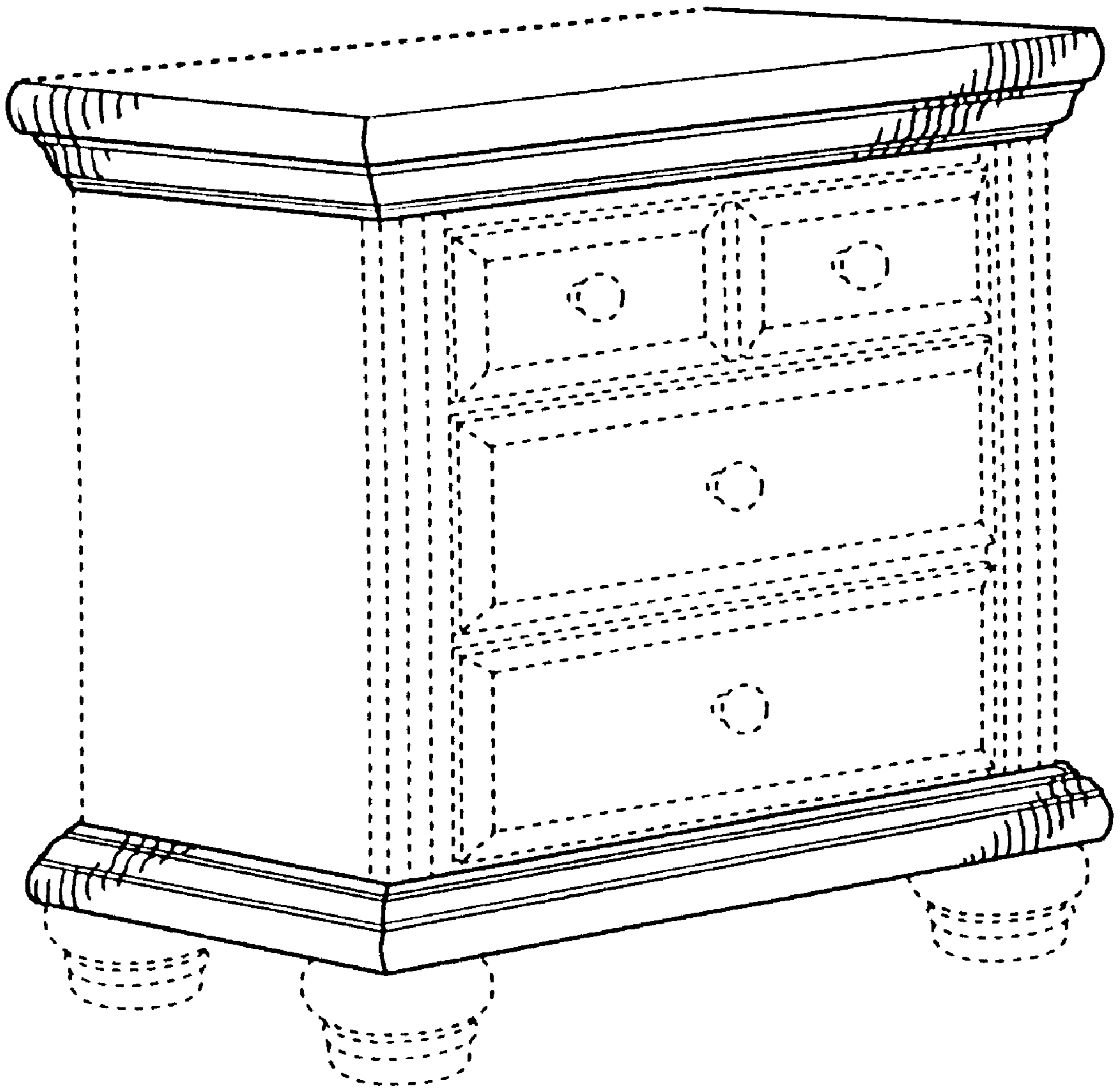


FIG. 2

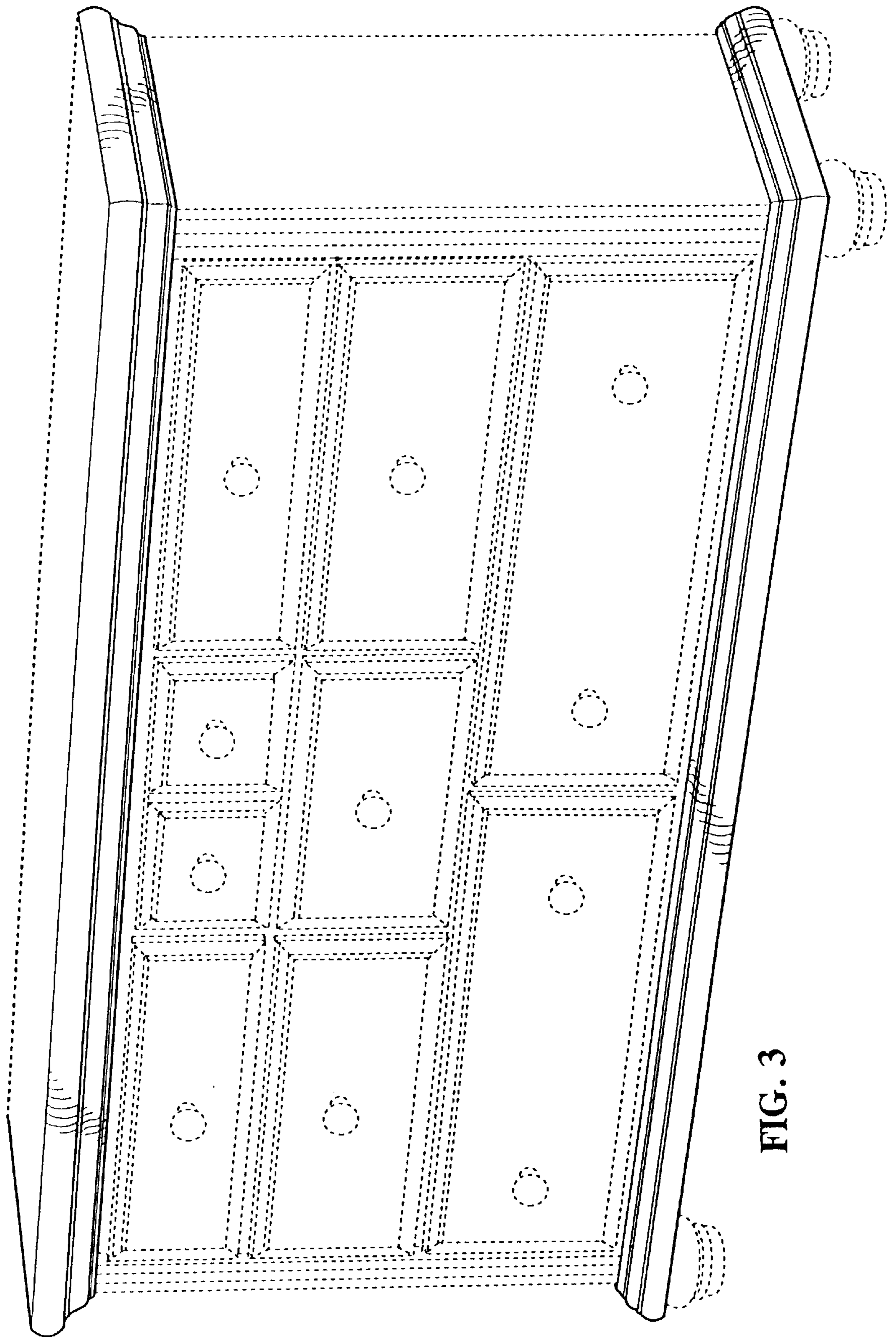


FIG. 3

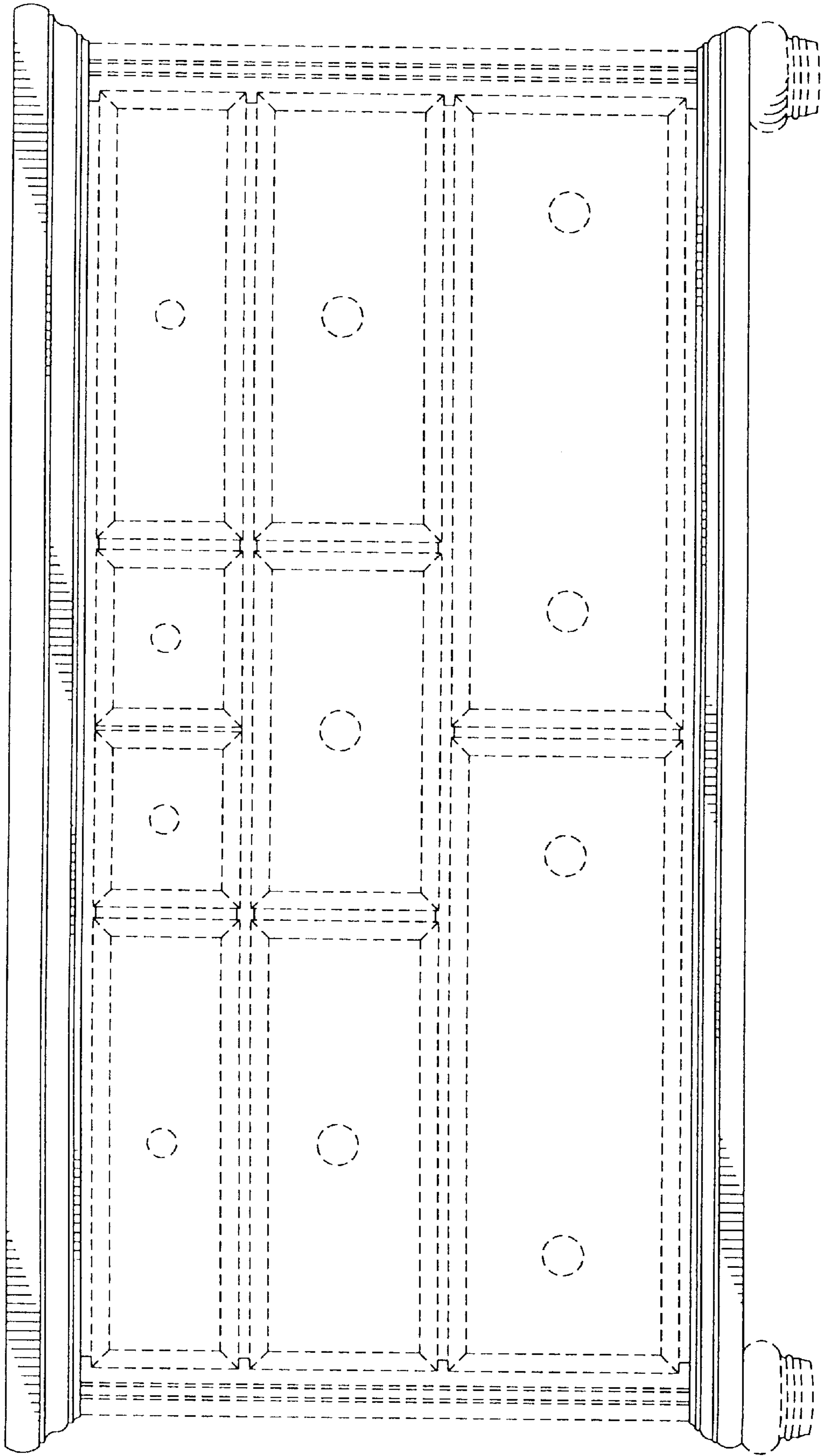


FIG. 4

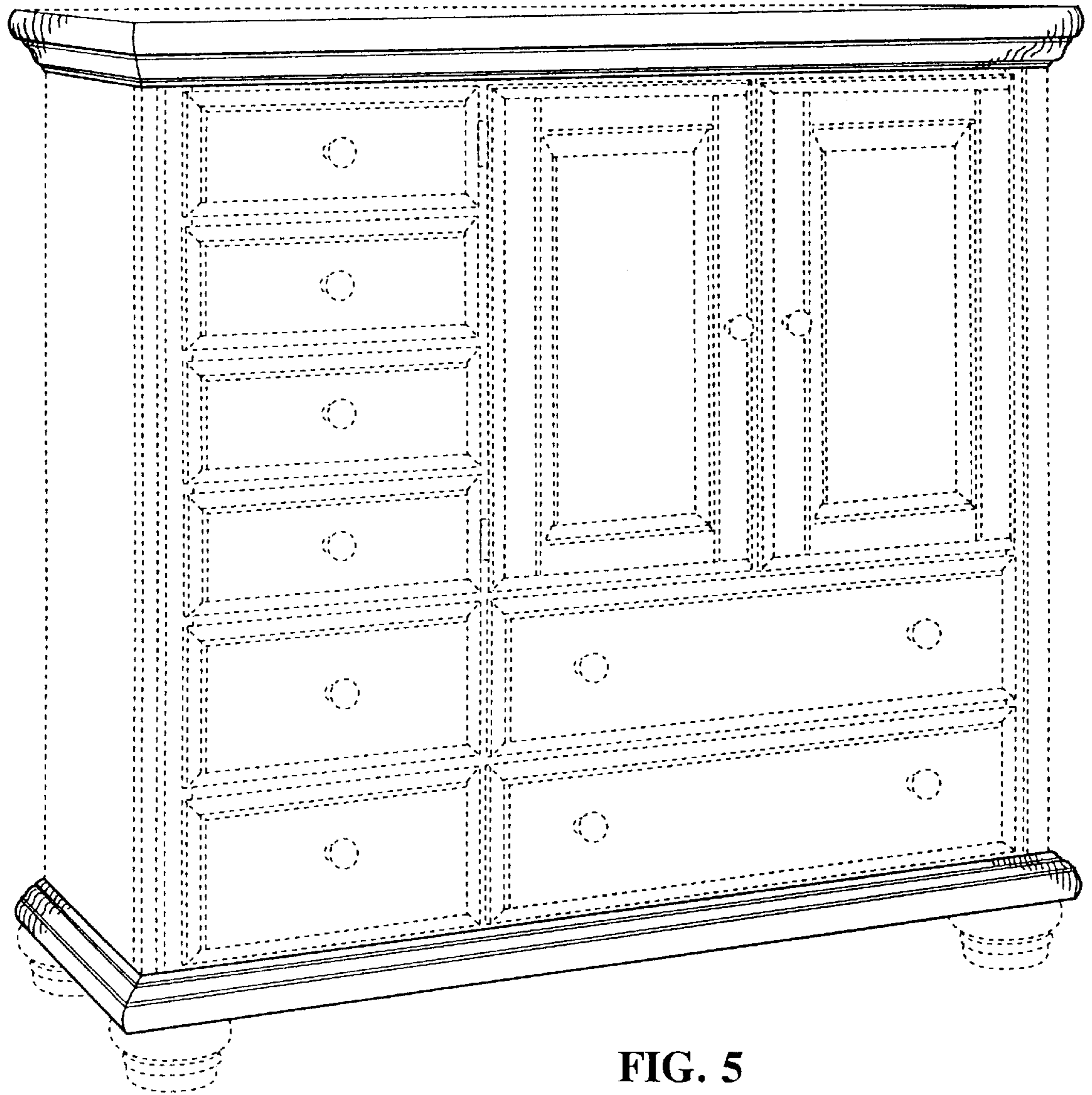


FIG. 5

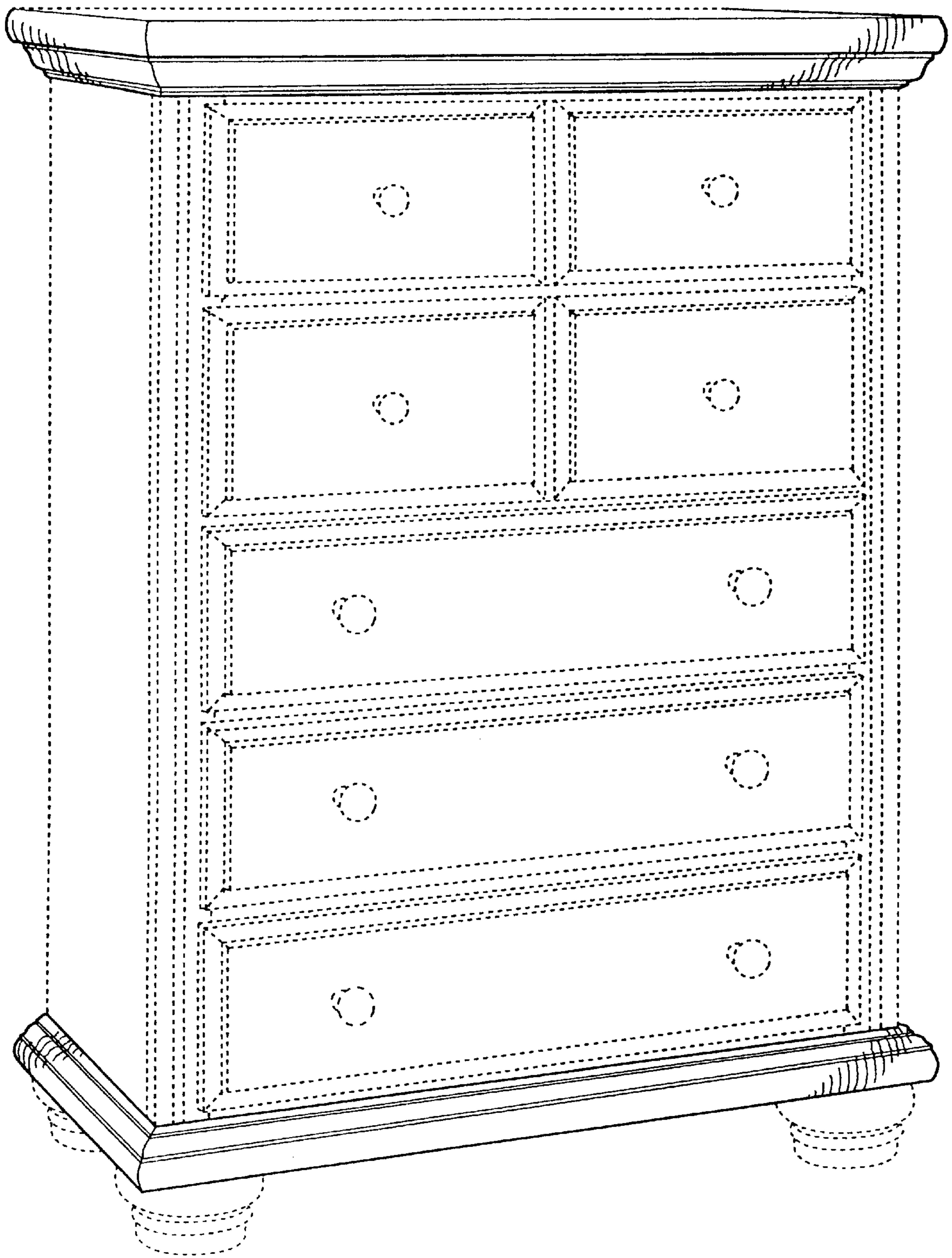


FIG. 6

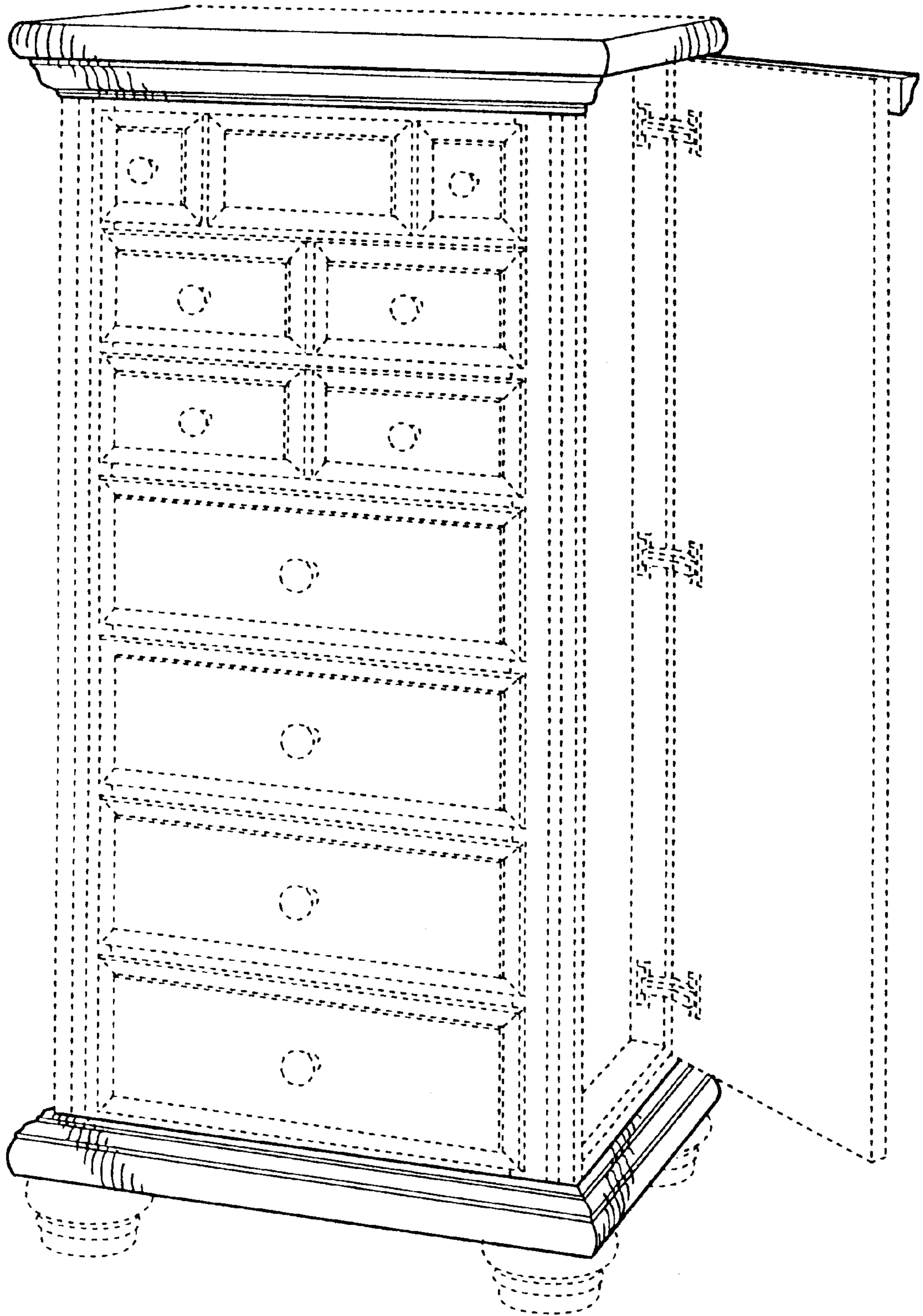


FIG. 7

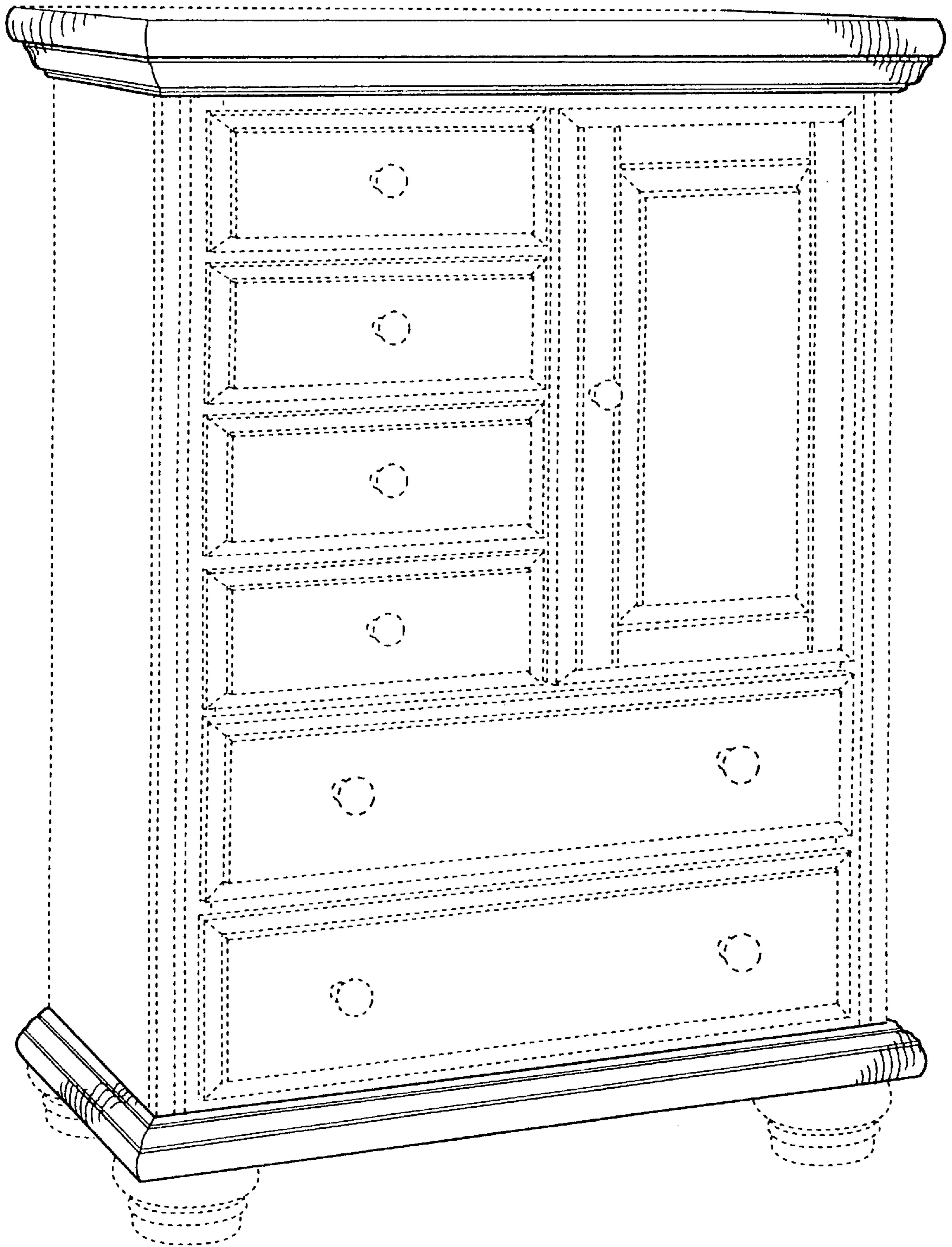


FIG. 8

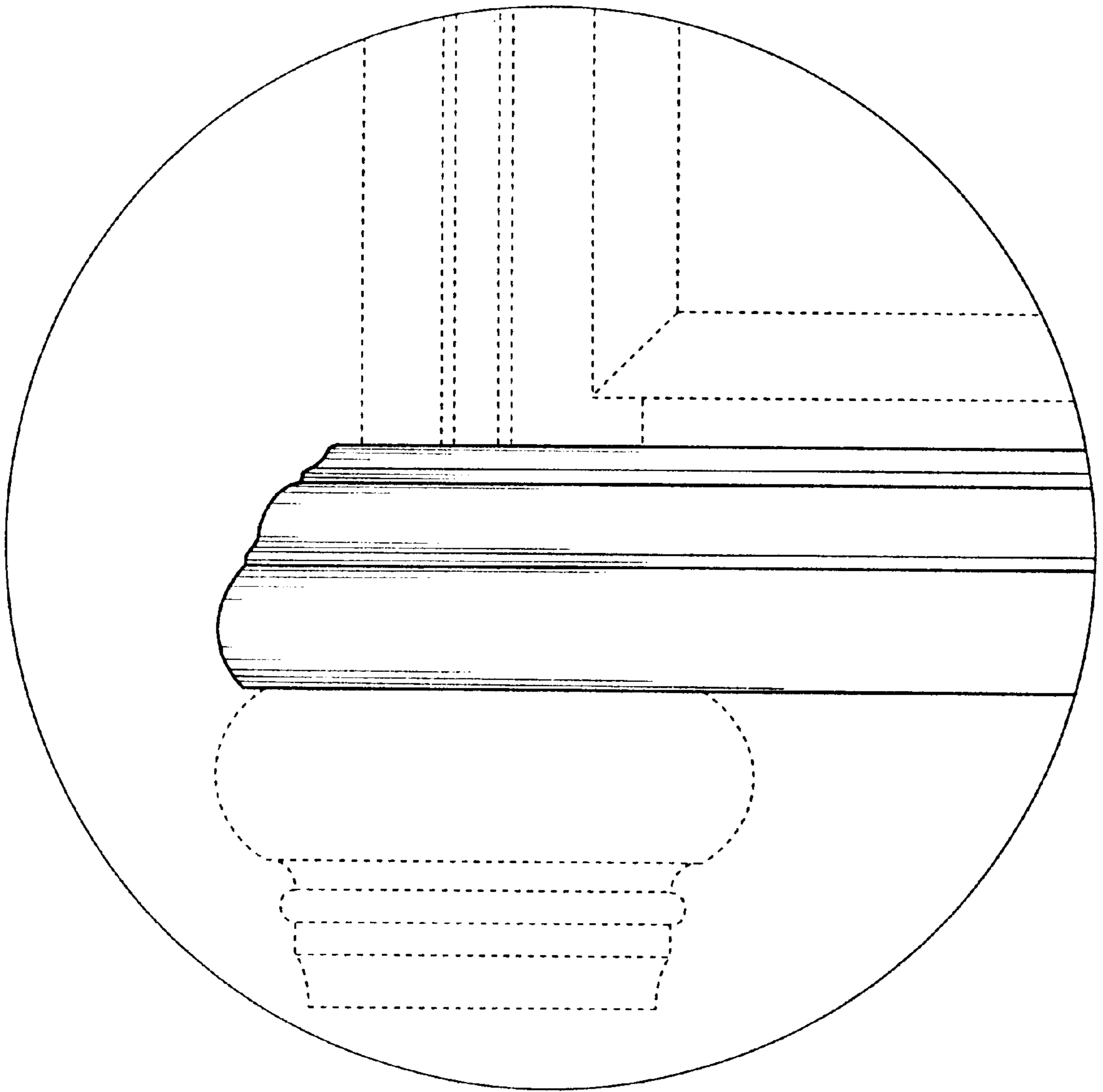


FIG. 9