



US00D433255S

United States Patent [19]

Wistehuff, Sr.

[11] **Patent Number: Des. 433,255**

[45] **Date of Patent: ** Nov. 7, 2000**

[54] **DESK**

[76] **Inventor: Daniel David Wistehuff, Sr., 2707 S. Turner Grove Dr., Greensboro, N.C. 27455**

[**] **Term: 14 Years**

[21] **Appl. No.: 29/112,327**

[22] **Filed: Oct. 14, 1999**

[51] **LOC (7) Cl. 06-03**

[52] **U.S. Cl. D6/484**

[58] **Field of Search D6/480-489, 495-499, D6/436, 432; 108/150, 153.1, 155, 156, 157.1, 161; 248/188, 188.1**

[56] **References Cited**

U.S. PATENT DOCUMENTS

- D. 376,500 12/1996 Lewis D6/484
- D. 424,841 5/2000 Newhouse D6/484

OTHER PUBLICATIONS

- Drexel Francesca II, c1977, p. 26, corner table at top left.
- Drexel Talavera, p. 23, table at bottom.
- Hekman, 1958, p. 35, table at bottom right.

Table, Fabricut, no date.

Table, source unknown, no date.

Photos of table used by Ernest Hemingway, obtained from John Fitzgerald Kennedy Library in Boston, no date.

Spencer Writing Table, Pranich & Associates, British Khaki Furniture ad, no date.

Primary Examiner—Janice E. Seeger

Attorney, Agent, or Firm—Rhodes & Mason, P.L.L.C.

[57] **CLAIM**

The ornamental design for a desk, as shown and described.

DESCRIPTION

FIG. 1 is a perspective view of a desk showing my new design;

FIG. 2 is a side view, the opposite side being a mirror image thereof;

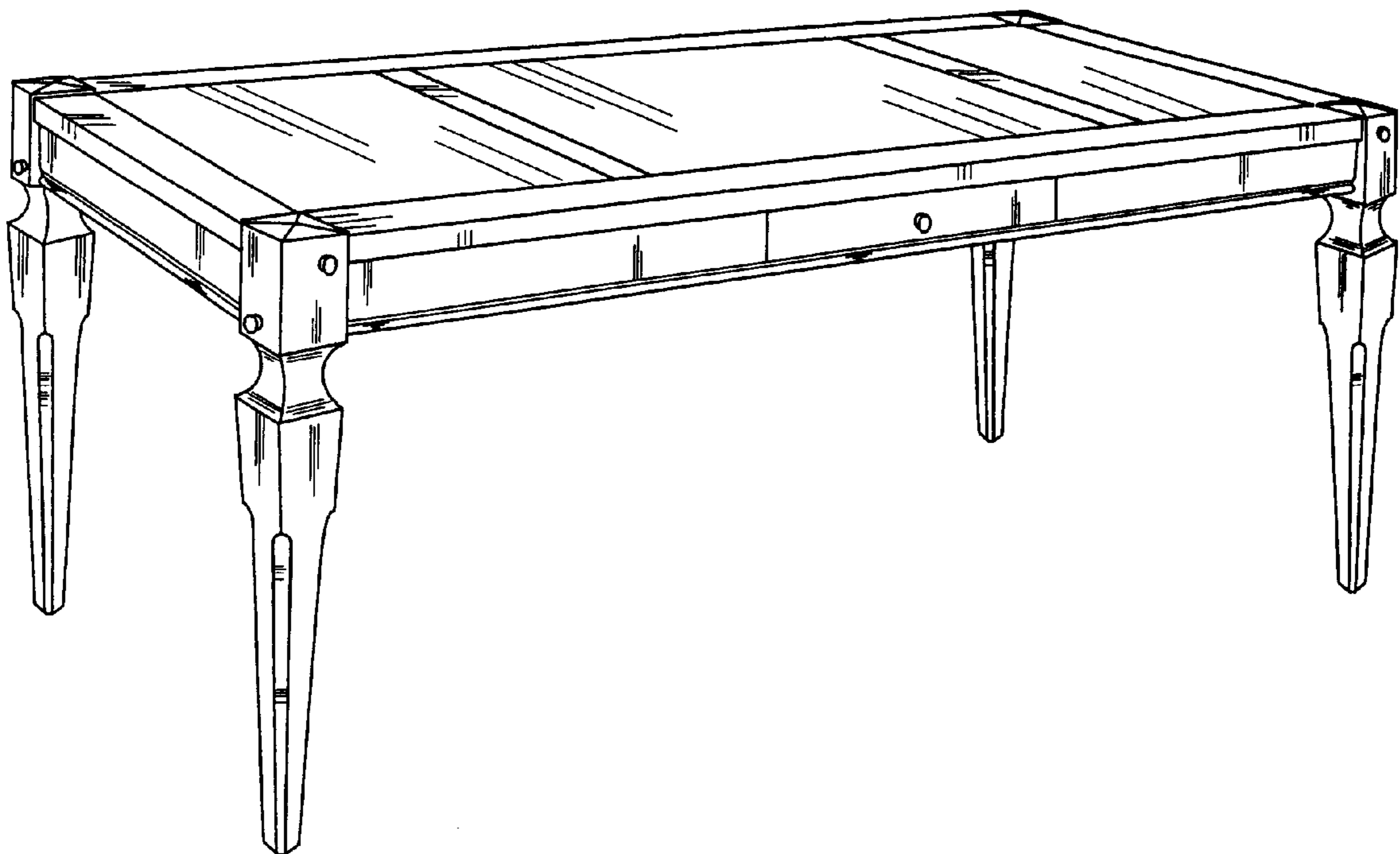
FIG. 3 is a front elevational view thereof;

FIG. 4 is a rear elevational view thereof; and,

FIG. 5 is a top plan view thereof.

The bottom elevational view of the design is not shown and forms no part of the claim design.

1 Claim, 5 Drawing Sheets



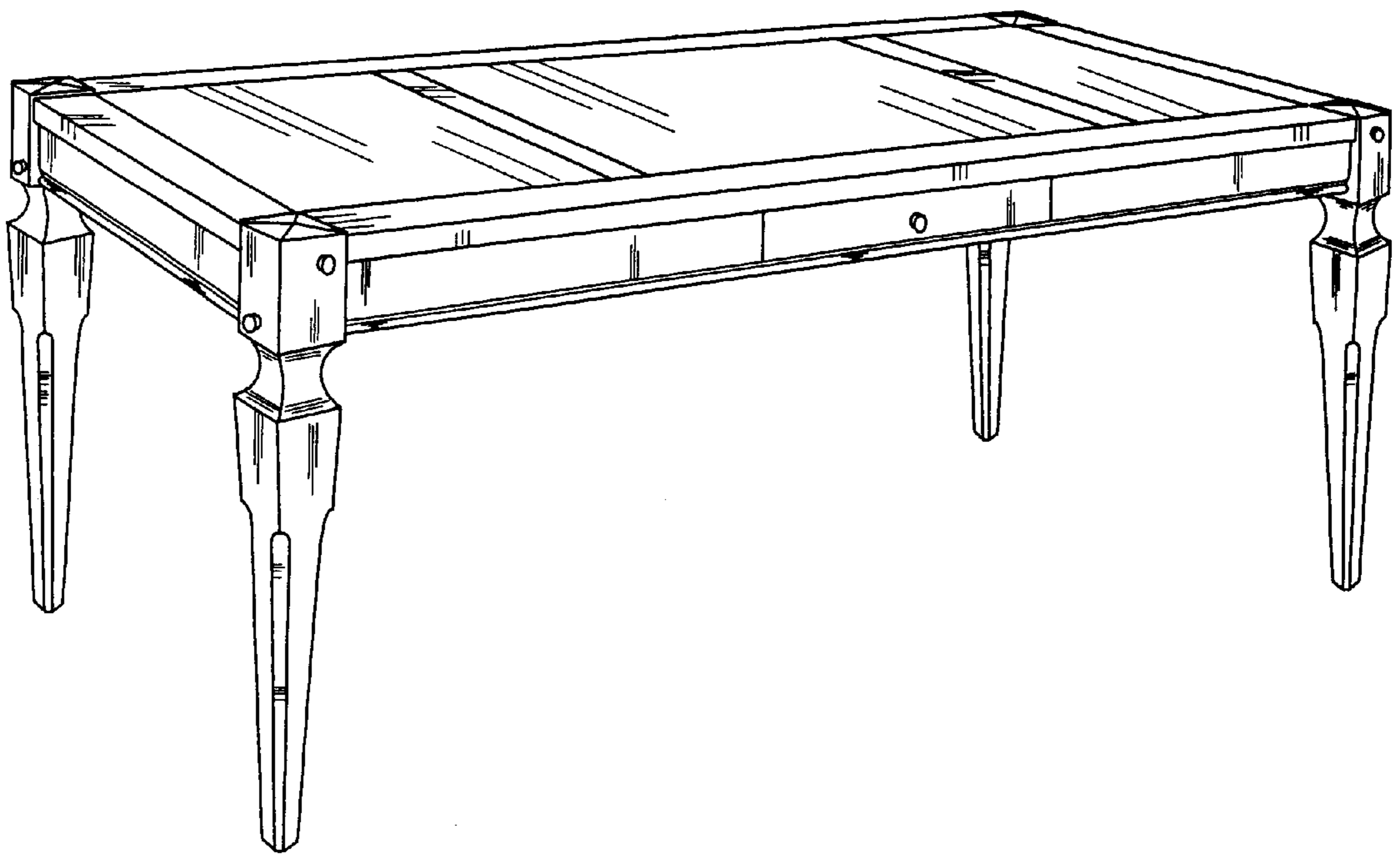


FIG.1

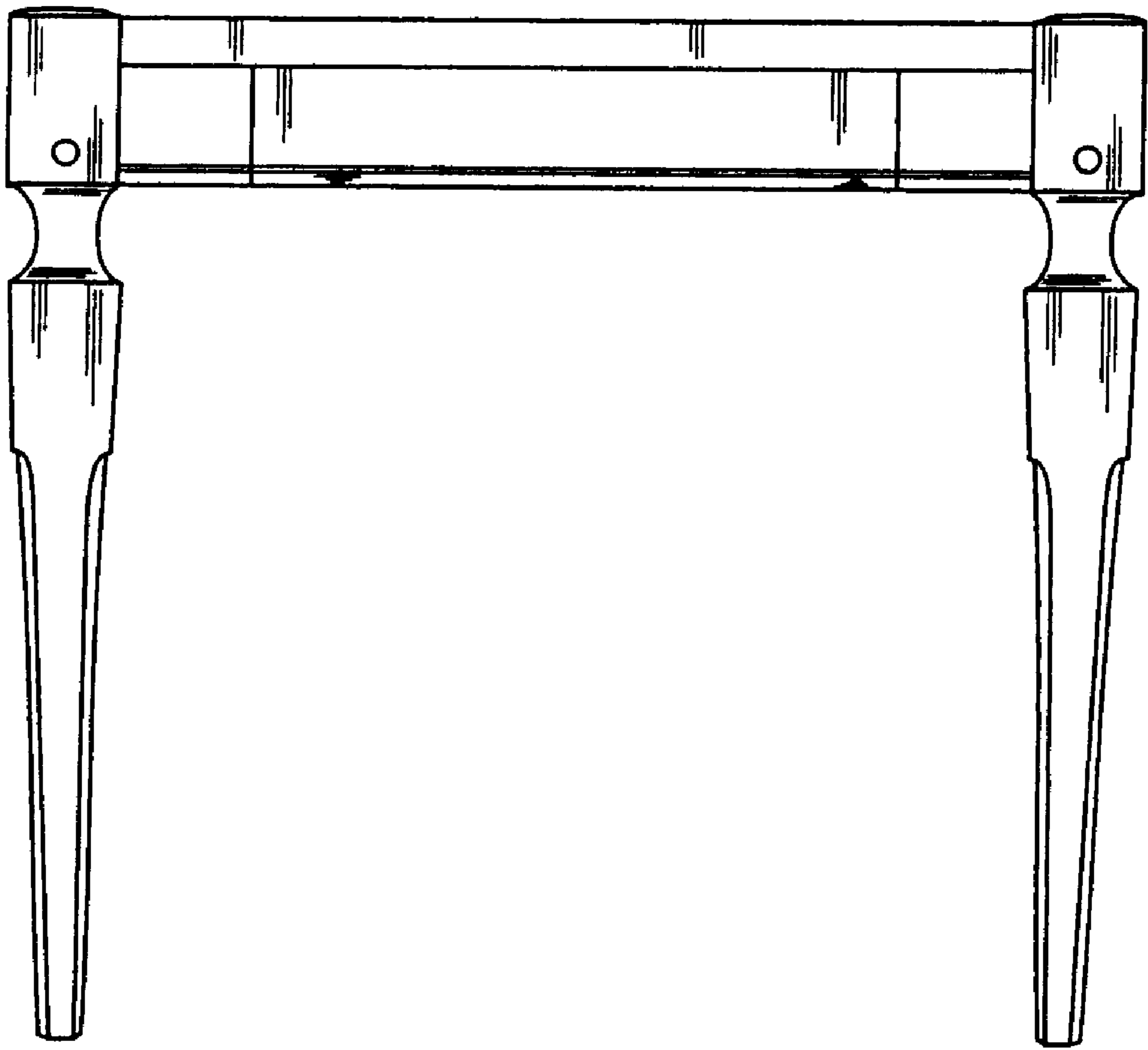


FIG. 2

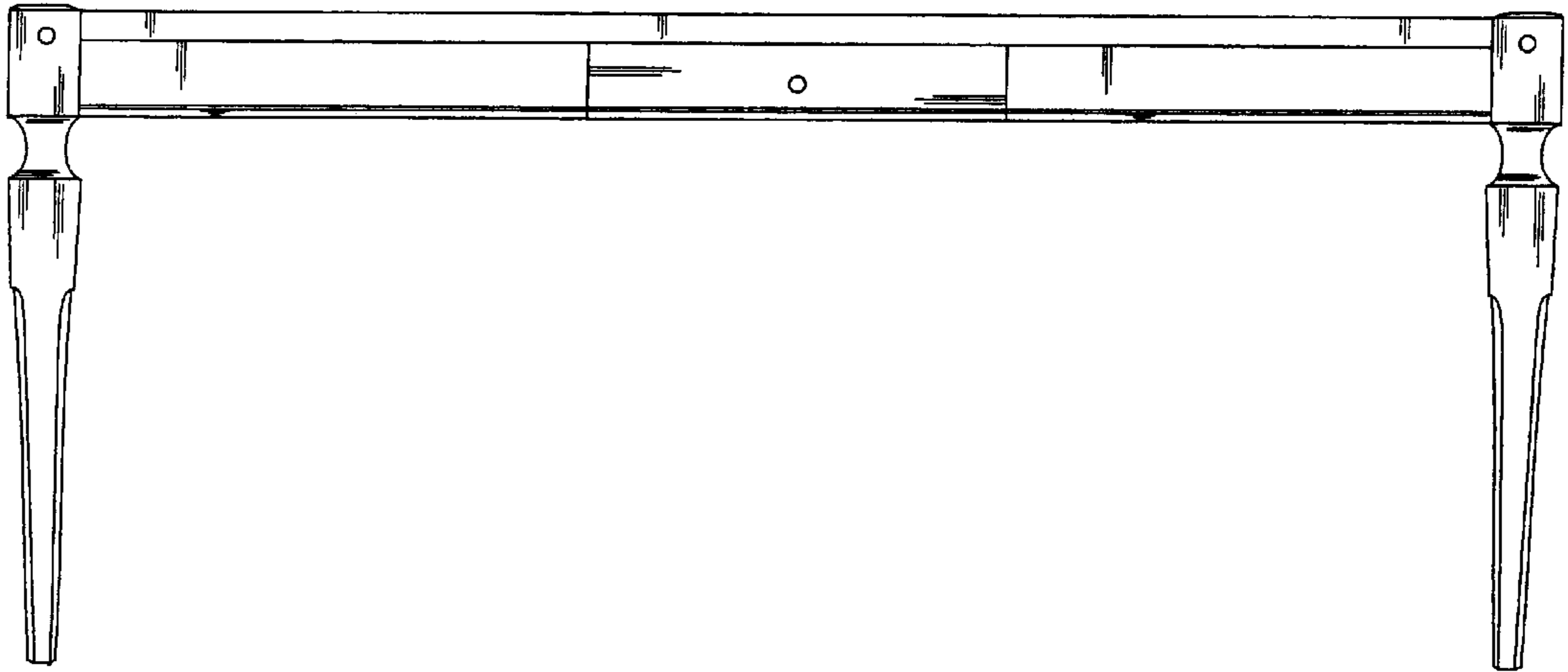


FIG. 3

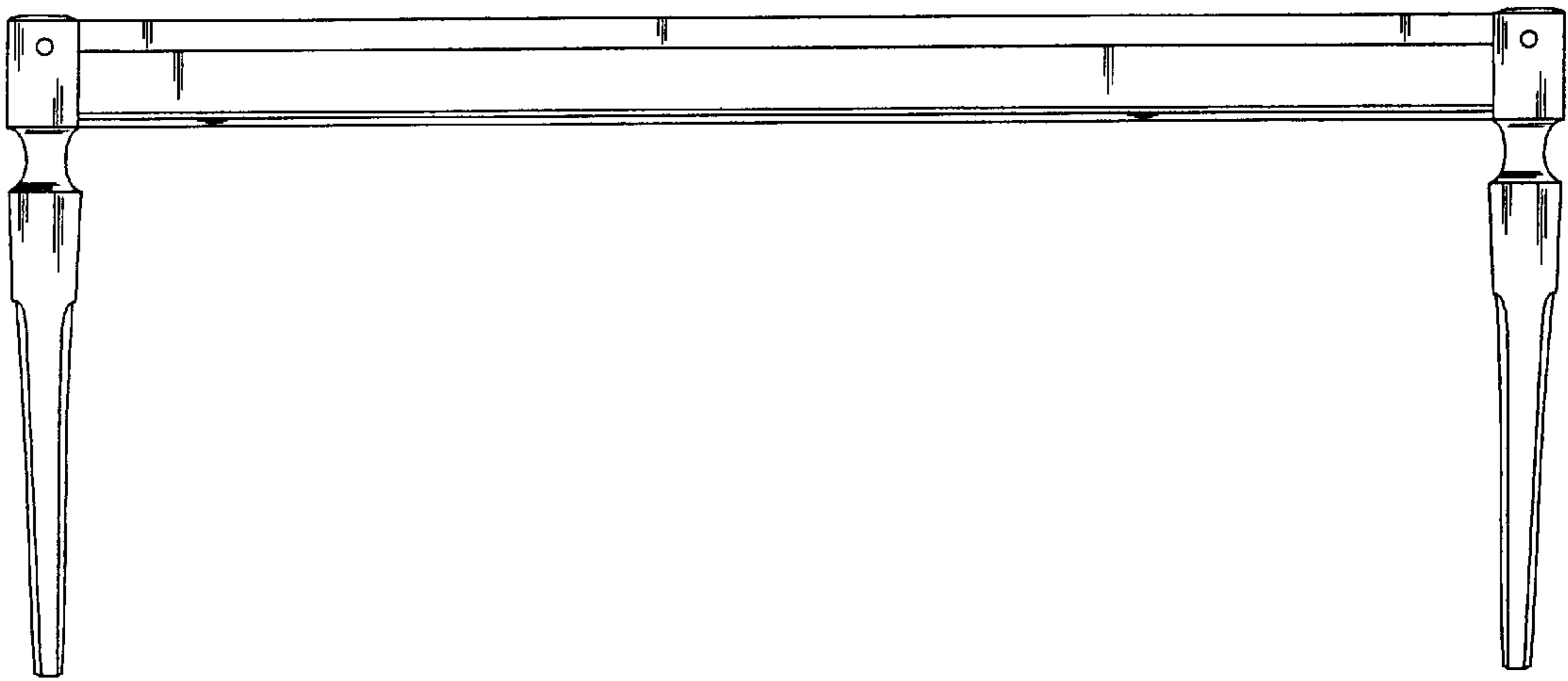


FIG. 4

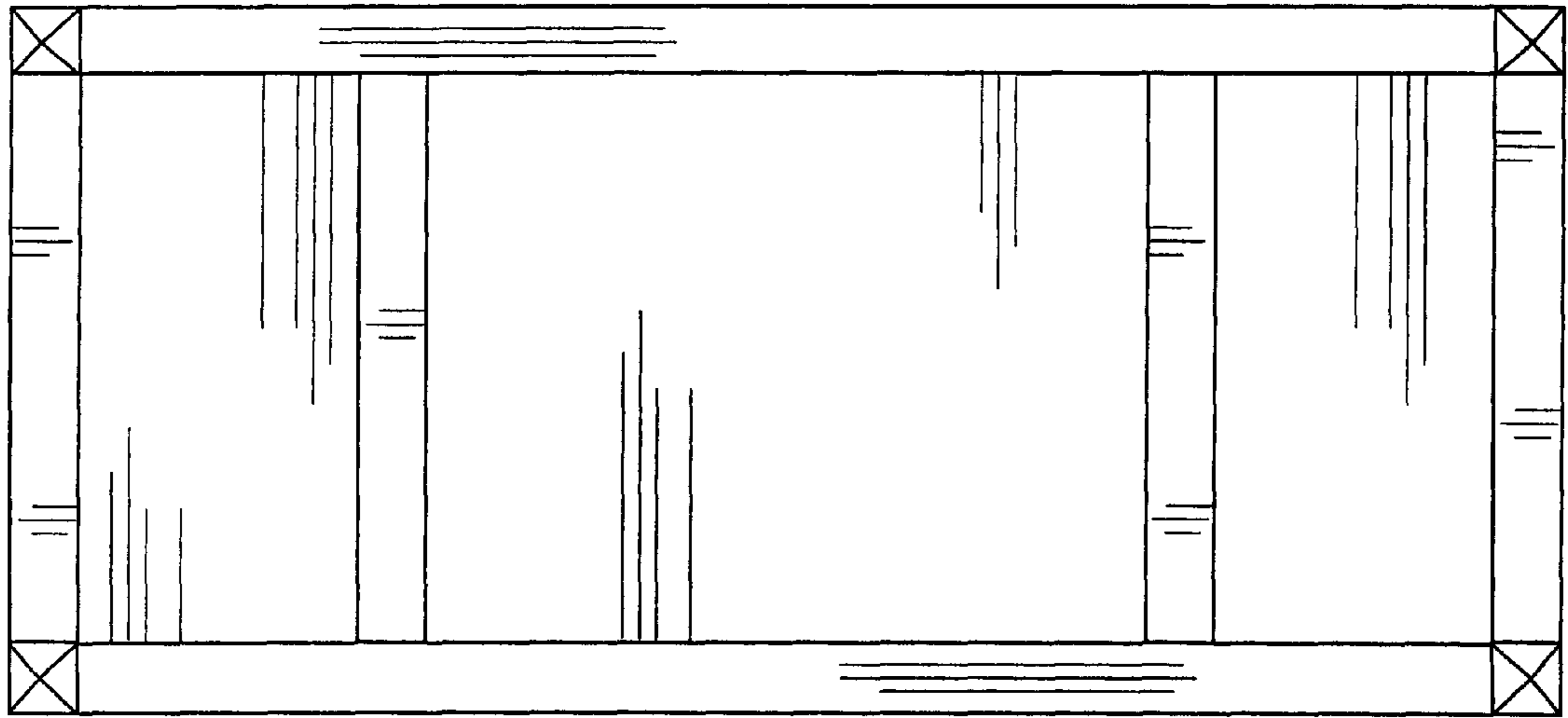


FIG.5