



US00D433254S

**United States Patent** [19]  
**Muller**

[11] **Patent Number: Des. 433,254**

[45] **Date of Patent: \*\* Nov. 7, 2000**

[54] **TABLE**

D. 382,422 8/1997 Muller ..... D6/482  
D. 389,674 1/1998 Muller ..... D6/482

[76] Inventor: **Carl Muller**, 16451 Barnstable Cir.,  
Huntington Beach, Calif. 92649

*Primary Examiner*—Janice E. Seeger  
*Attorney, Agent, or Firm*—George W. Finch

[\*\*] Term: **14 Years**

[57] **CLAIM**

[21] Appl. No.: **29/112,061**

The ornamental design for a table, as shown.

[22] Filed: **Oct. 7, 1999**

**DESCRIPTION**

[51] **LOC (7) Cl.** ..... **06-03**

FIG. 1 is a perspective view showing the front side, left side, and top of the ornamental design and the ornamental effect of its frosted glass shelf;

[52] **U.S. Cl.** ..... **D6/482**

FIG. 2 is a top plan view of the same;

[58] **Field of Search** ..... D6/480-489, 495-494,  
D6/451; 108/150, 153.1, 155, 156, 157.1,  
161; 248/188, 188.1, 188.7

FIG. 3 is a front elevational view of the same;

FIG. 4 is a back view of the same;

[56] **References Cited**

**U.S. PATENT DOCUMENTS**

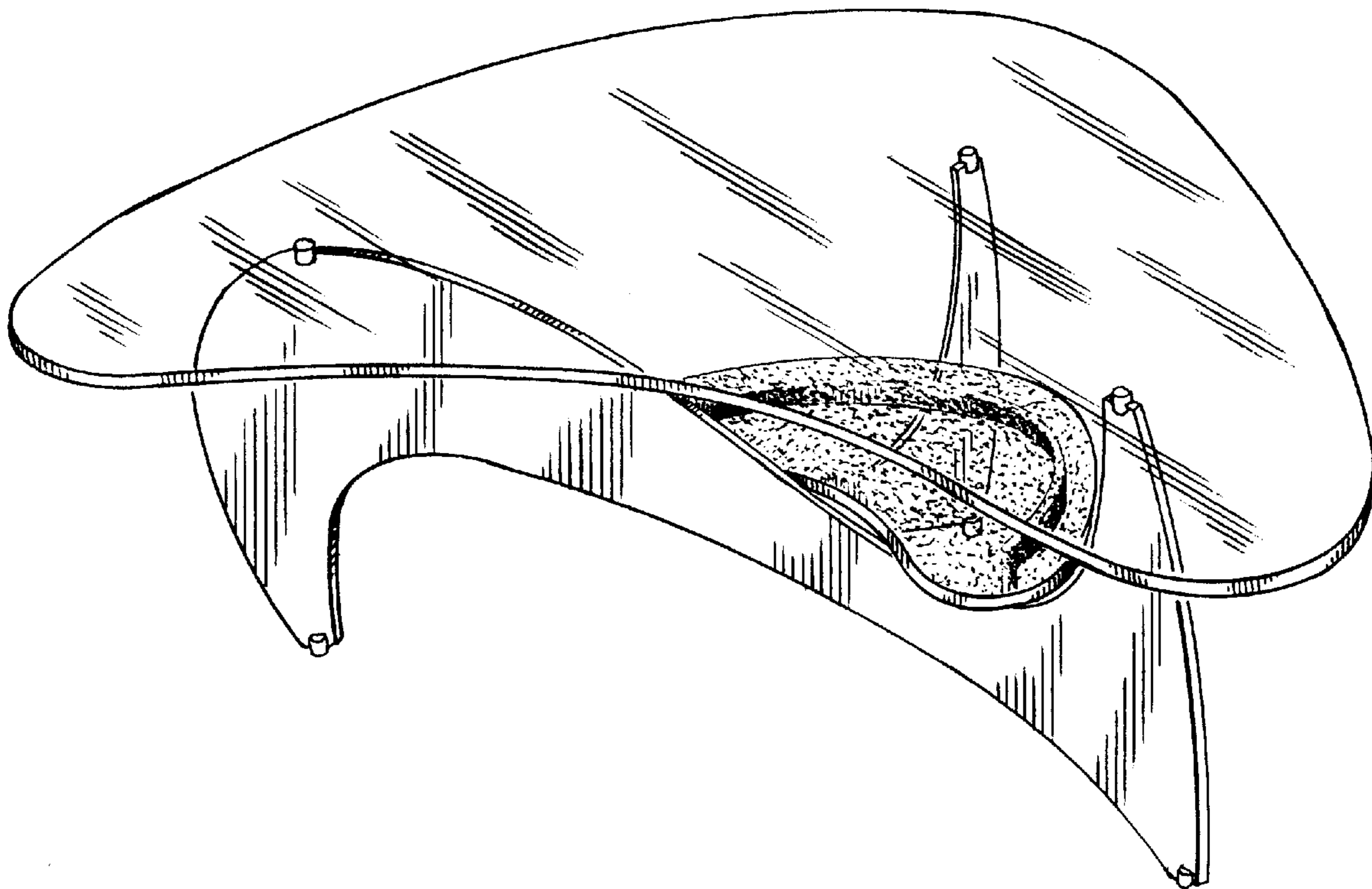
D. 166,360 4/1952 Shinn ..... D6/482  
D. 197,722 3/1964 Crawford ..... D6/482  
D. 218,943 10/1970 Culliss ..... D6/482

FIG. 5 is a right side elevational view of the same;

FIG. 6 is a left side elevational view of the same; and,

FIG. 7 is a underside view of the same.

**1 Claim, 4 Drawing Sheets**



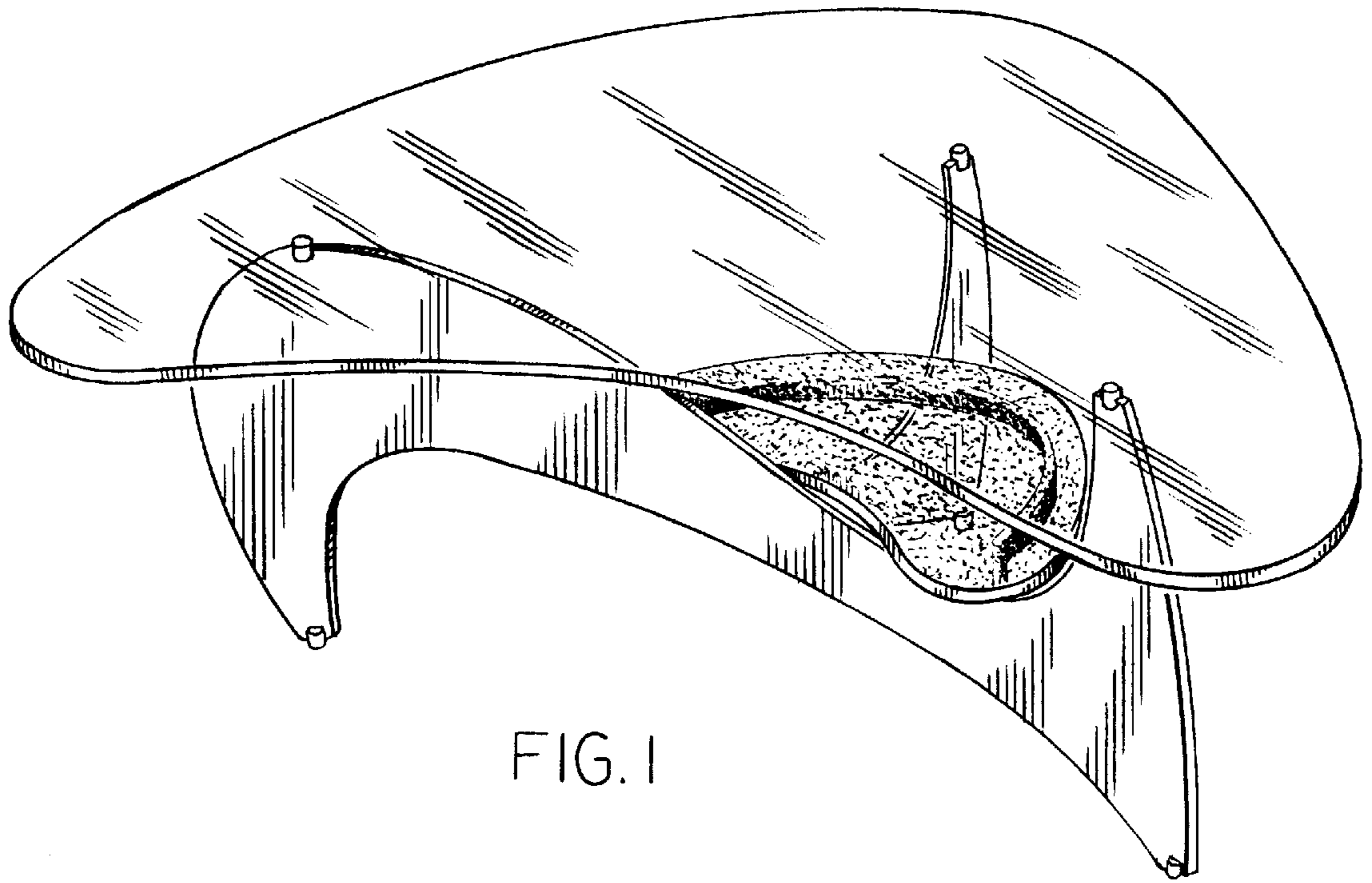


FIG. 1

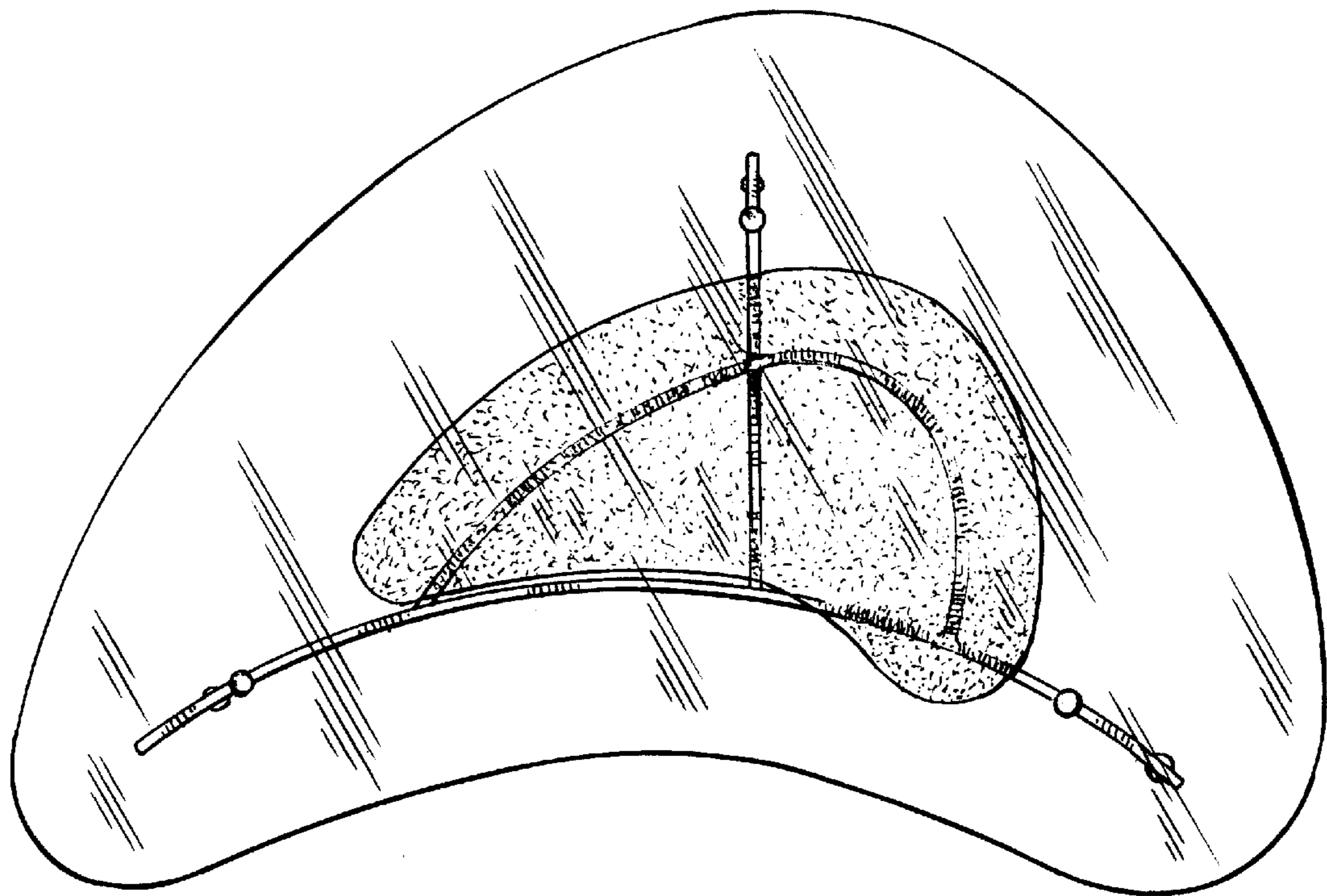


FIG. 2

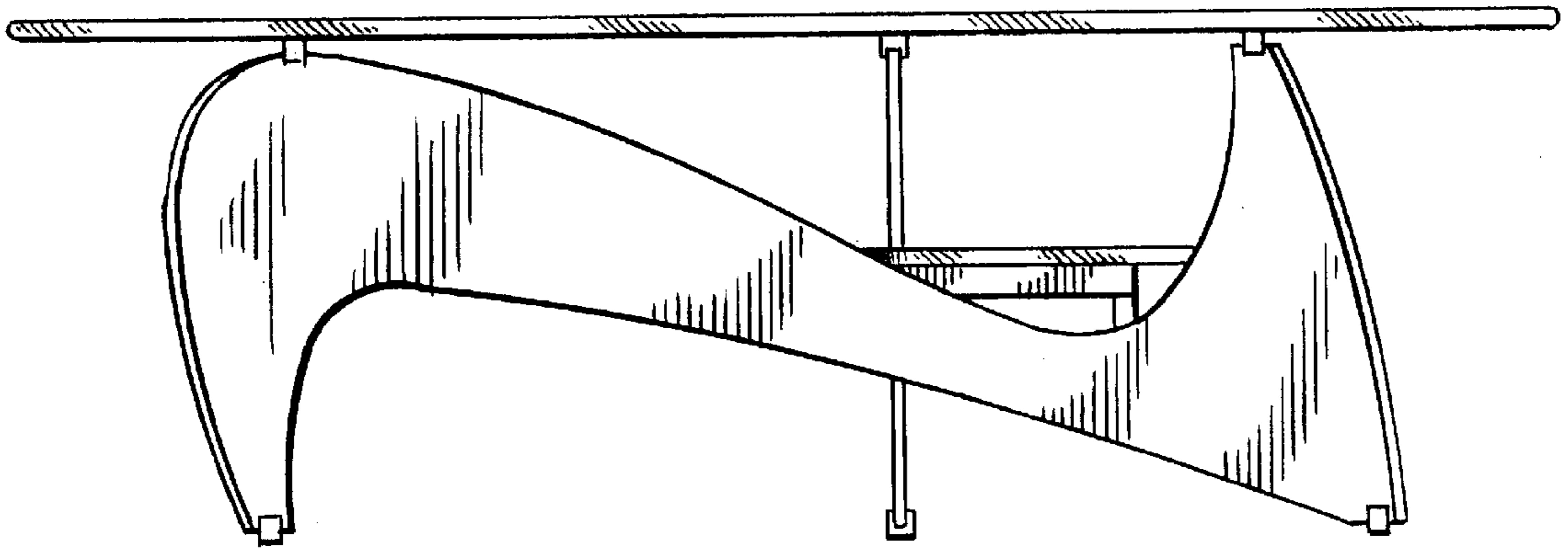


FIG. 3

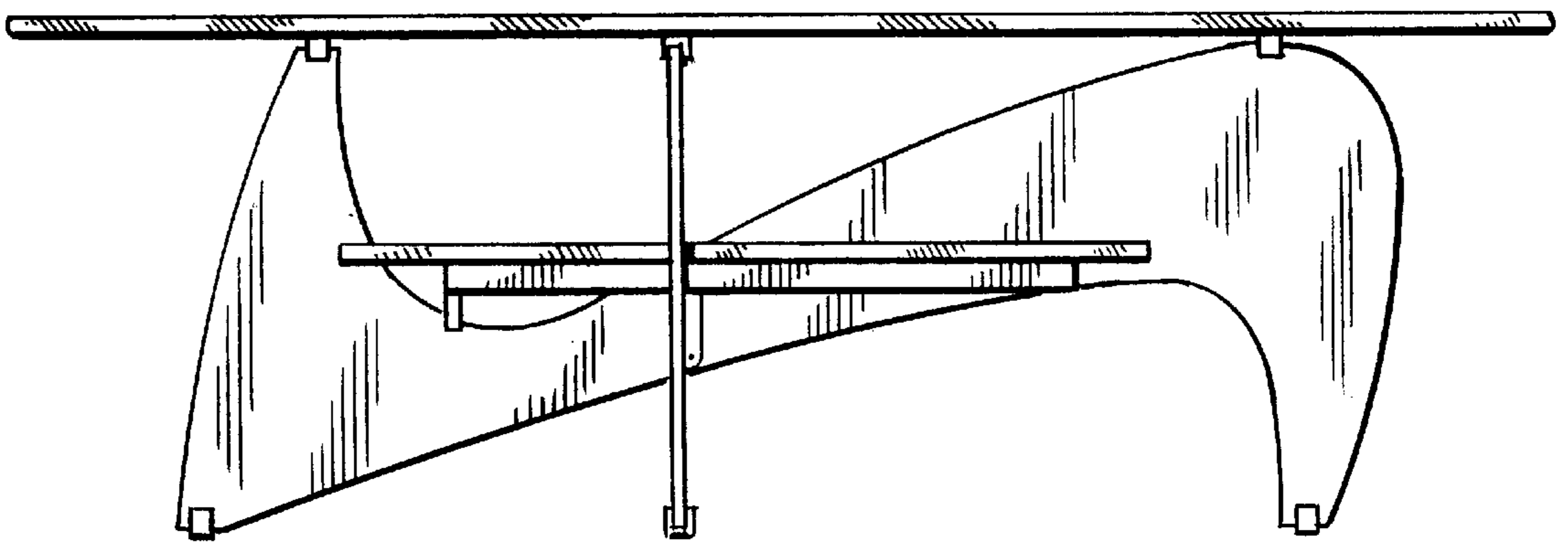


FIG. 4

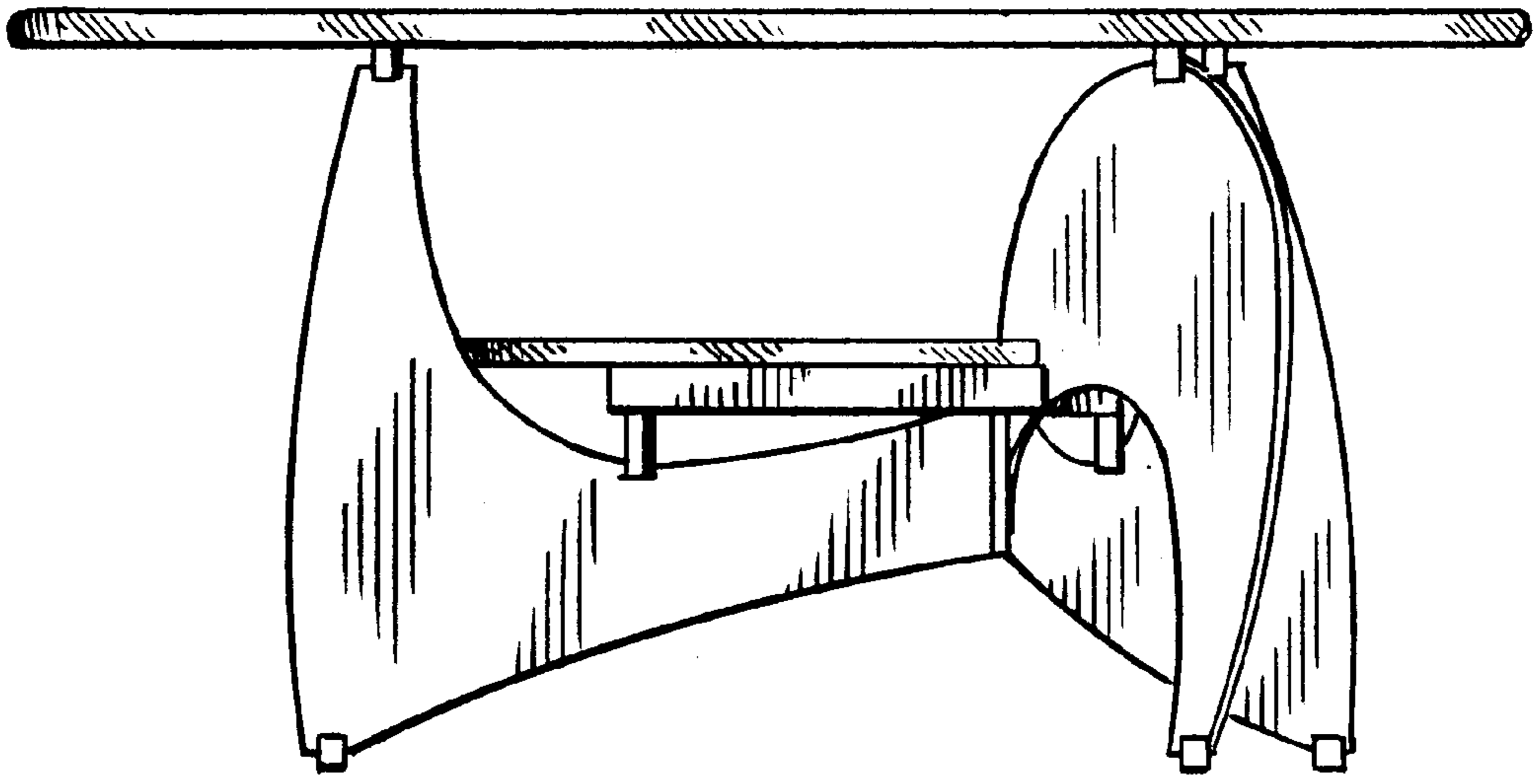


FIG. 5

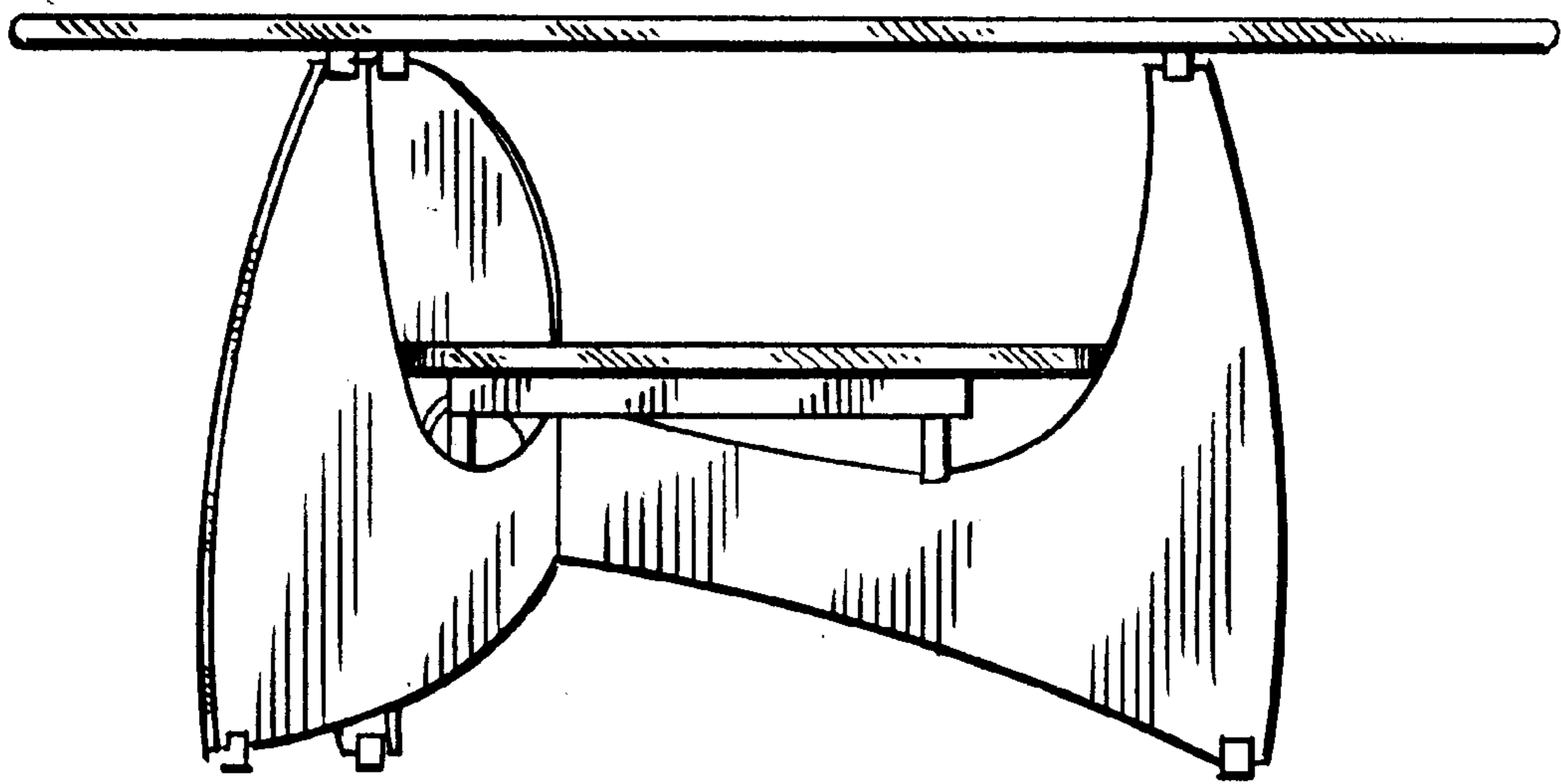


FIG. 6



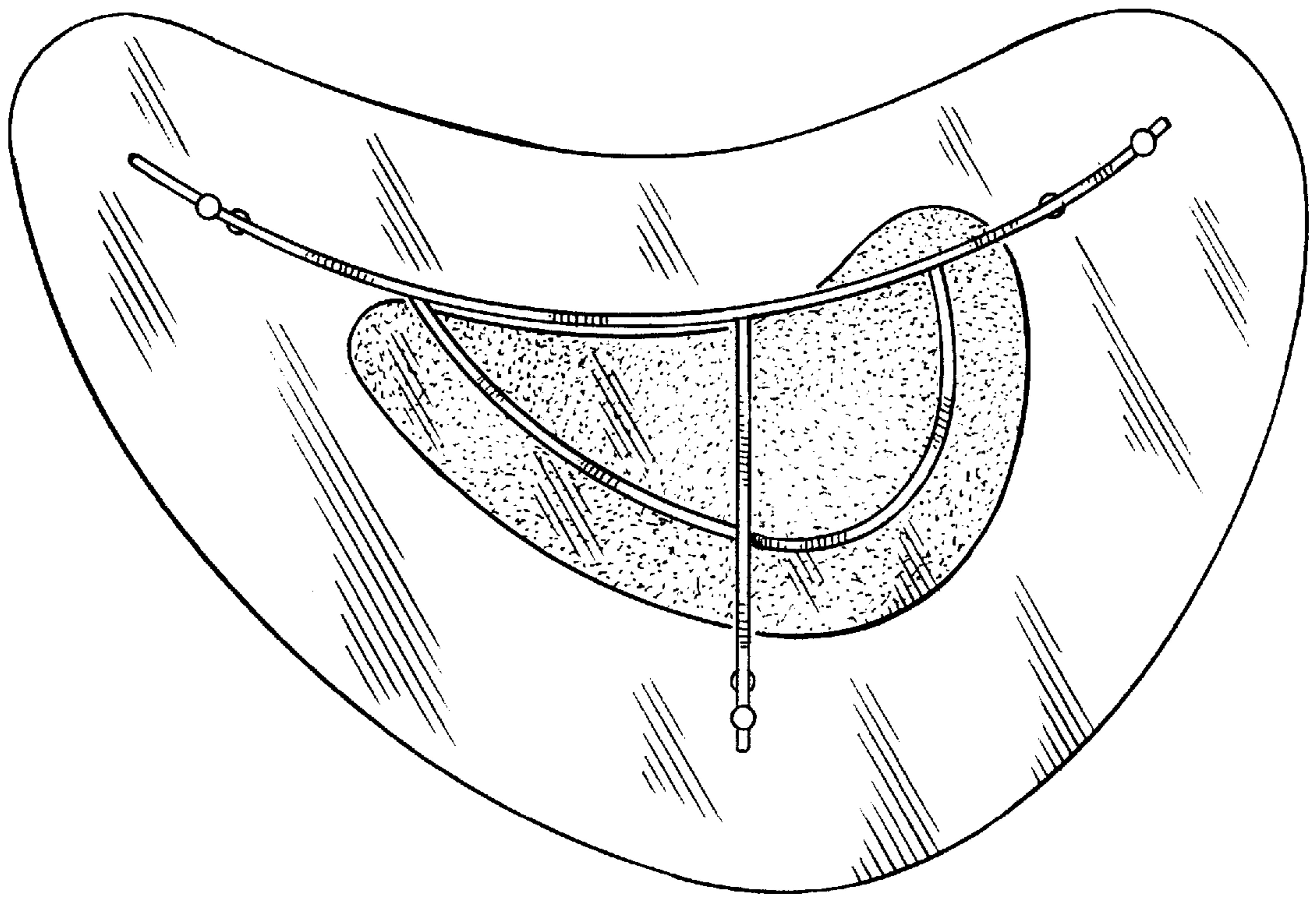


FIG. 7