



US00D433246S

United States Patent [19] Pettifer

[11] **Patent Number: Des. 433,246**

[45] **Date of Patent: ** Nov. 7, 2000**

[54] **BED FRAME**

[75] Inventor: **Richard T. Pettifer**, Richmond, Canada

[73] Assignee: **New Era Marketing, Ltd.**, British Columbia, Canada

[**] Term: **14 Years**

[21] Appl. No.: **29/108,260**

[22] Filed: **Jul. 22, 1999**

[30] **Foreign Application Priority Data**

Jun. 9, 1999 [CA] Canada 1999-1403

[51] **LOC (7) Cl.** **06-01**

[52] **U.S. Cl.** **D6/382**

[58] **Field of Search** D6/382-385, 389-395,
D6/505-508, 503; 5/200.1, 310, 286, 280,
281, 907, 2.1

[56] **References Cited**

U.S. PATENT DOCUMENTS

- D. 56,036 8/1920 Takeuchi .
- D. 284,626 7/1986 Johansson D6/383
- D. 388,632 1/1998 Kelley D6/384

Primary Examiner—Janice E. Seeger

Attorney, Agent, or Firm—Wells, St. John, Roberts, Gregory & Matkin, P.S.

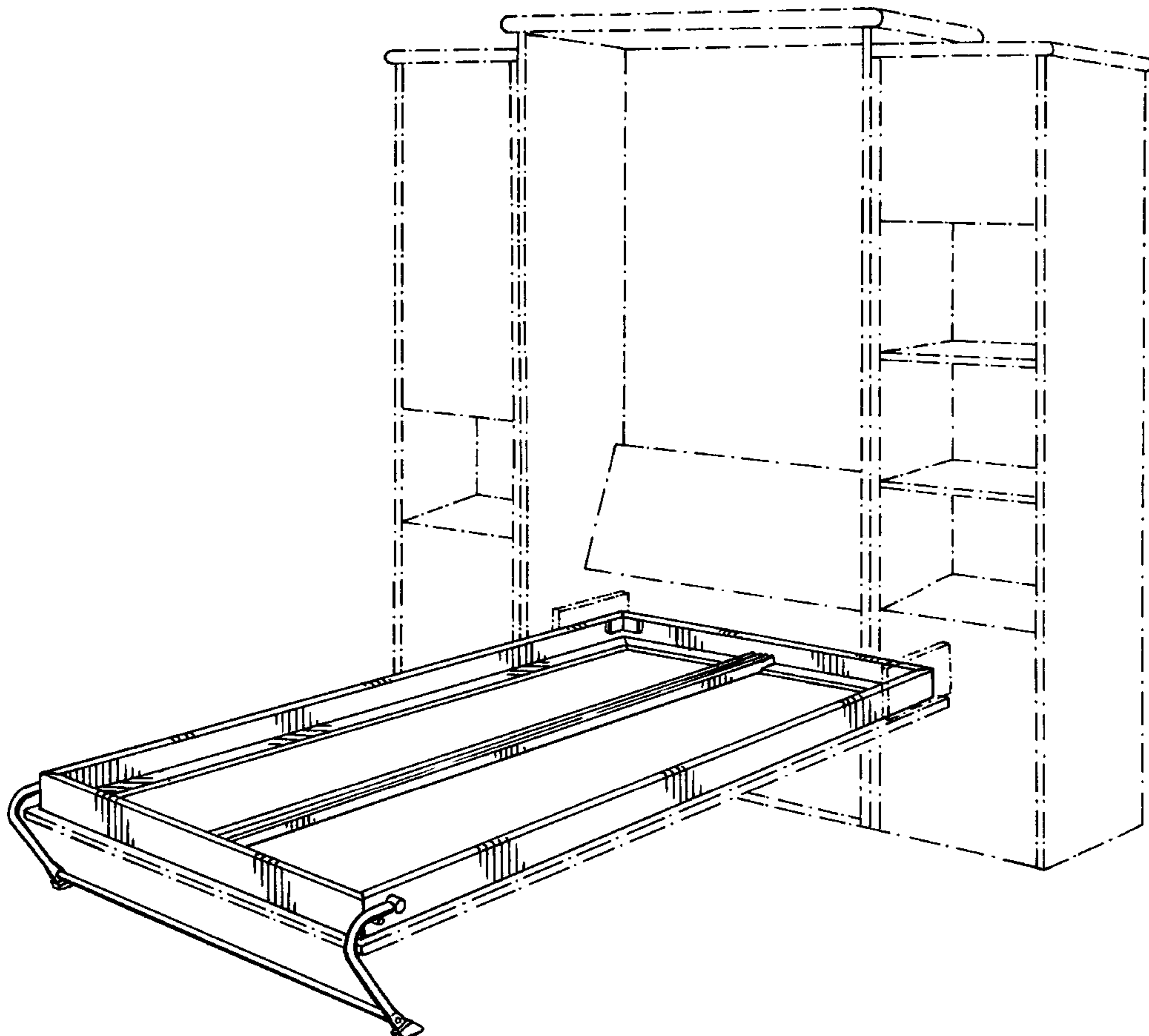
[57] **CLAIM**

The ornamental design for the bed frame, as shown and described.

DESCRIPTION

FIG. 1 is a perspective view of the bed frame according to the design;
 FIG. 2 is a top view thereof;
 FIG. 3 is a side view thereof;
 FIG. 4 is a side elevational, showing the side opposite that shown in FIG. 3;
 FIG. 5 is a bottom plan view;
 FIG. 6 is an end elevational view;
 FIG. 7 is an end elevational view, showing the end opposite that shown in FIG. 6;
 FIG. 8 is a cross-sectional view showing the side and end frames for convenience of illustration;
 FIG. 9 is a fragmentary side view showing the leg in greater detail; and,
 FIG. 10 is a cross-sectional view showing the mid frame member for convenience of illustration.
 The broken lines are for environmental purposes only and form no part of the claimed design.

1 Claim, 7 Drawing Sheets



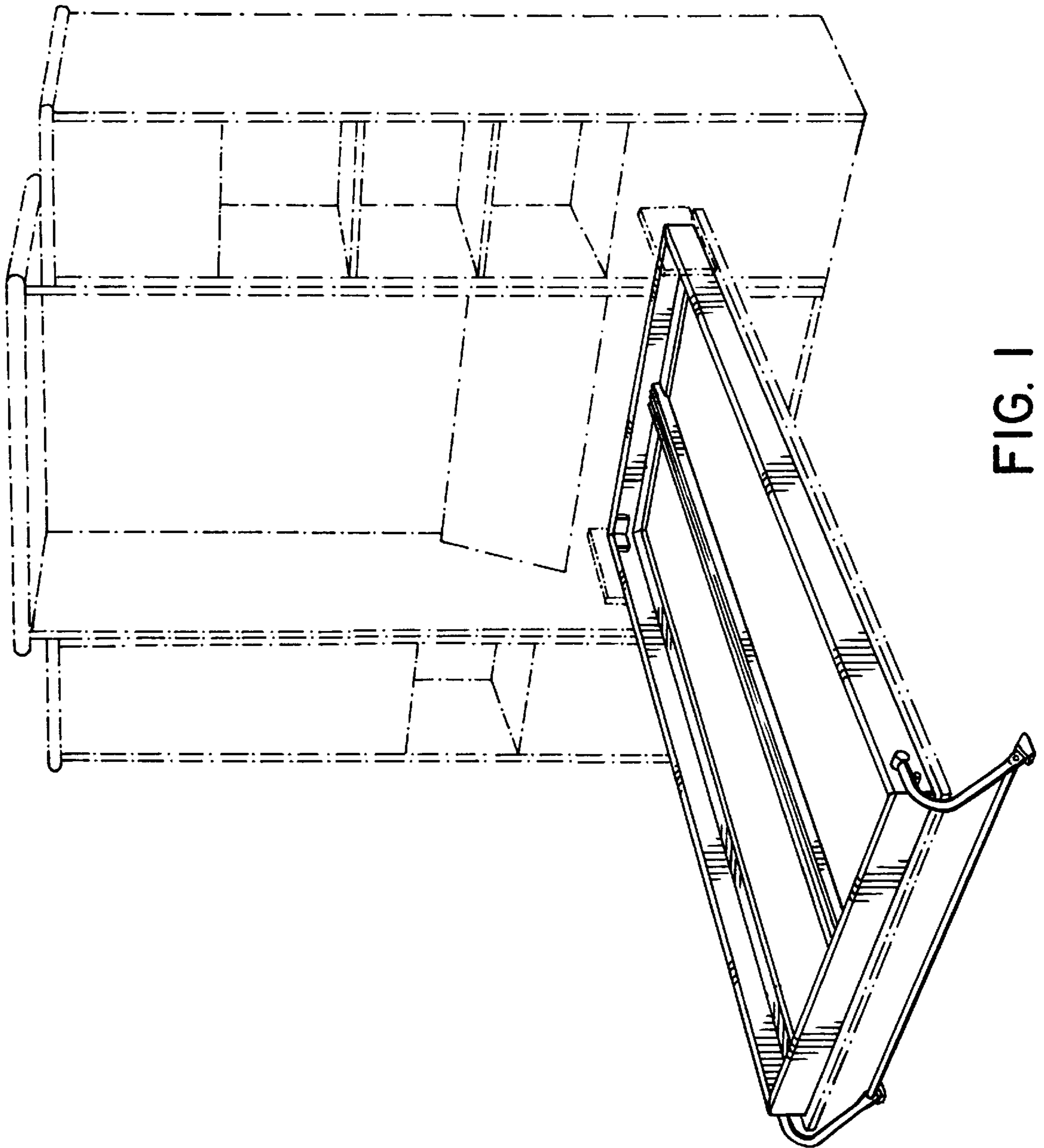


FIG. 1

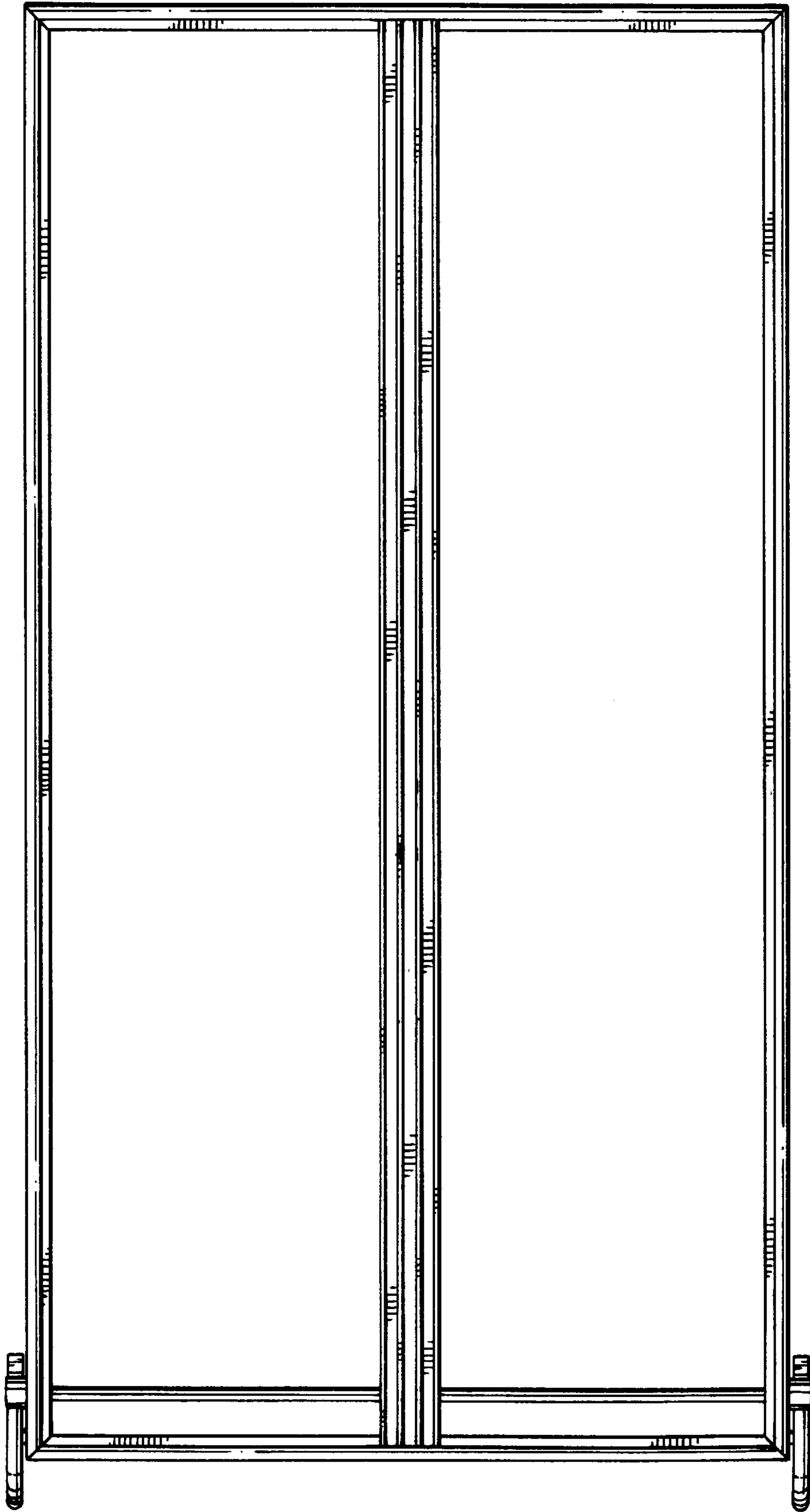


FIG. 2

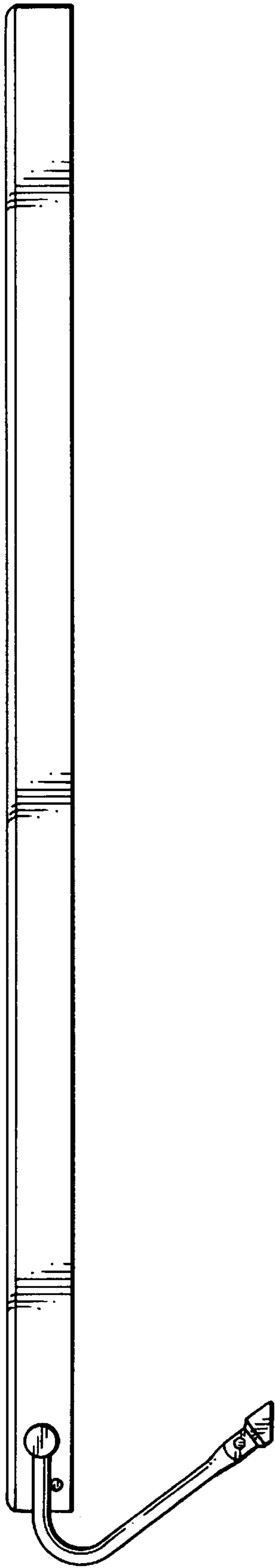


FIG. 3

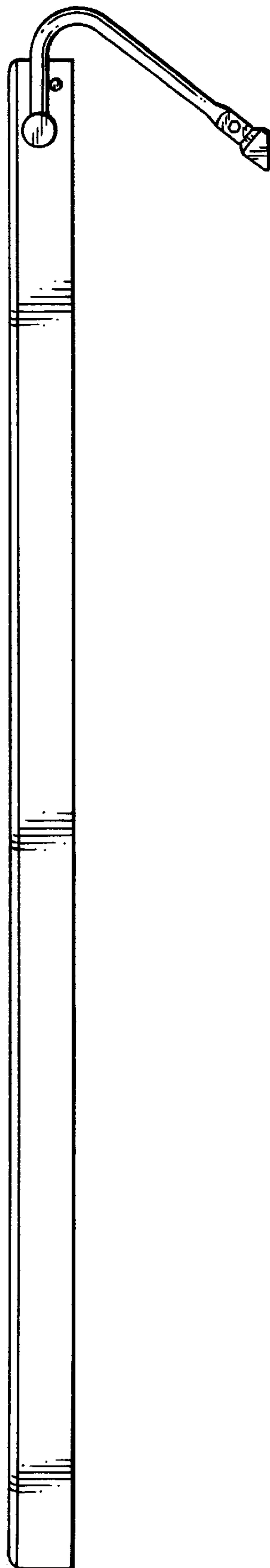


FIG. 4

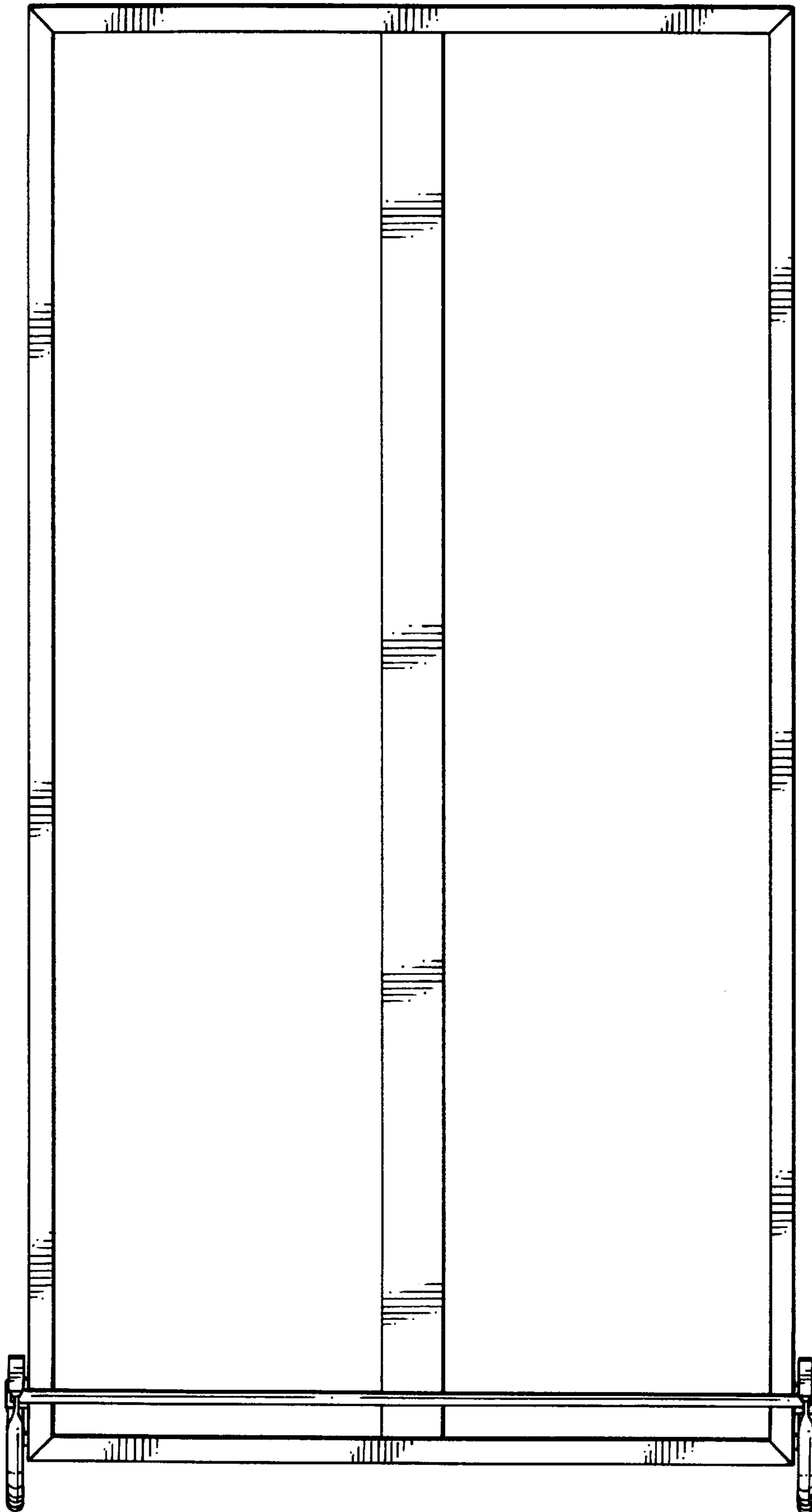


FIG. 5

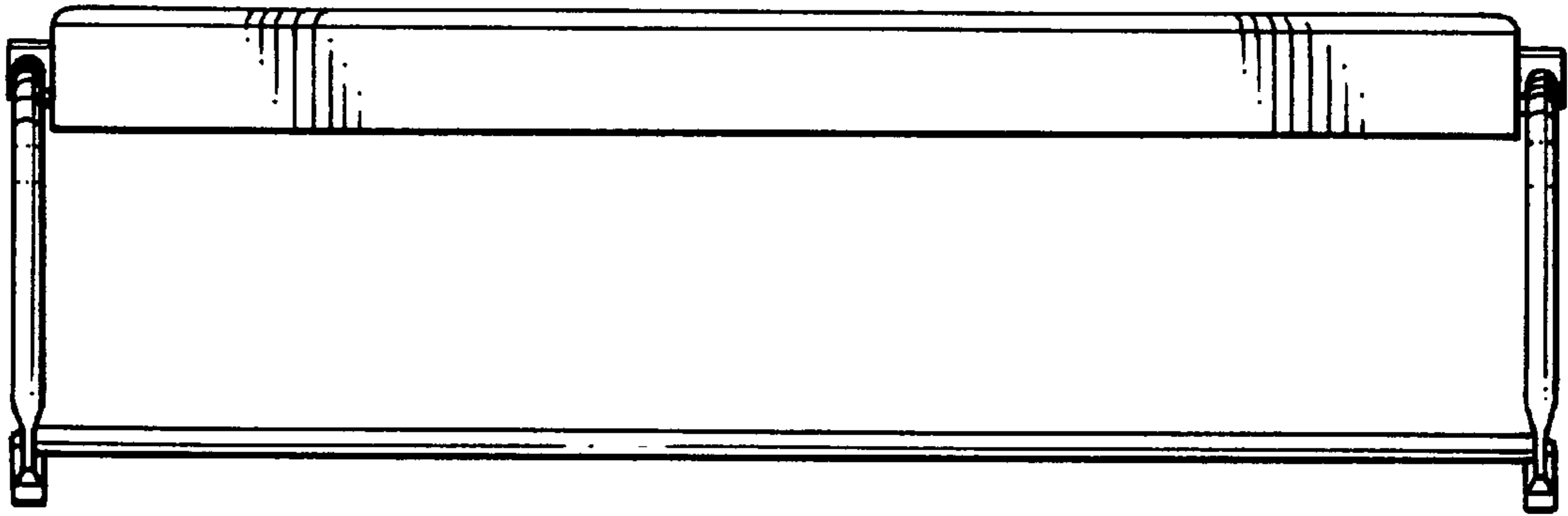


FIG. 6

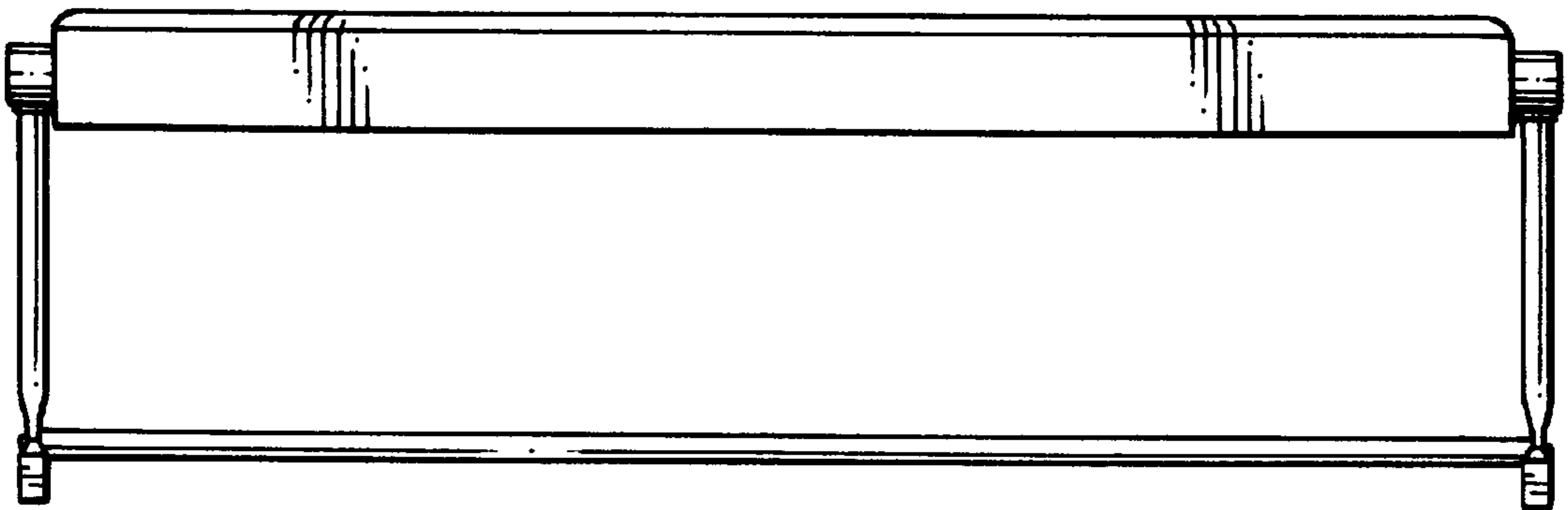


FIG. 7

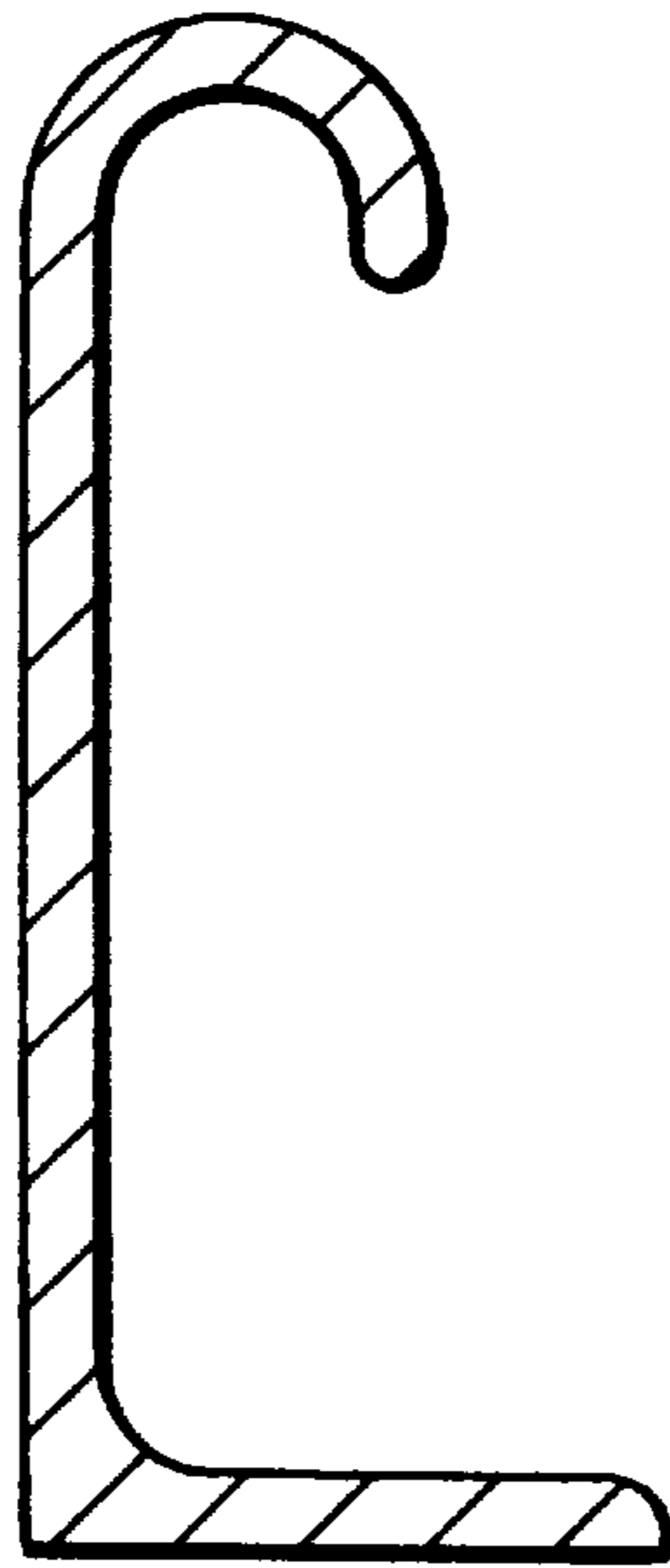


FIG. 8

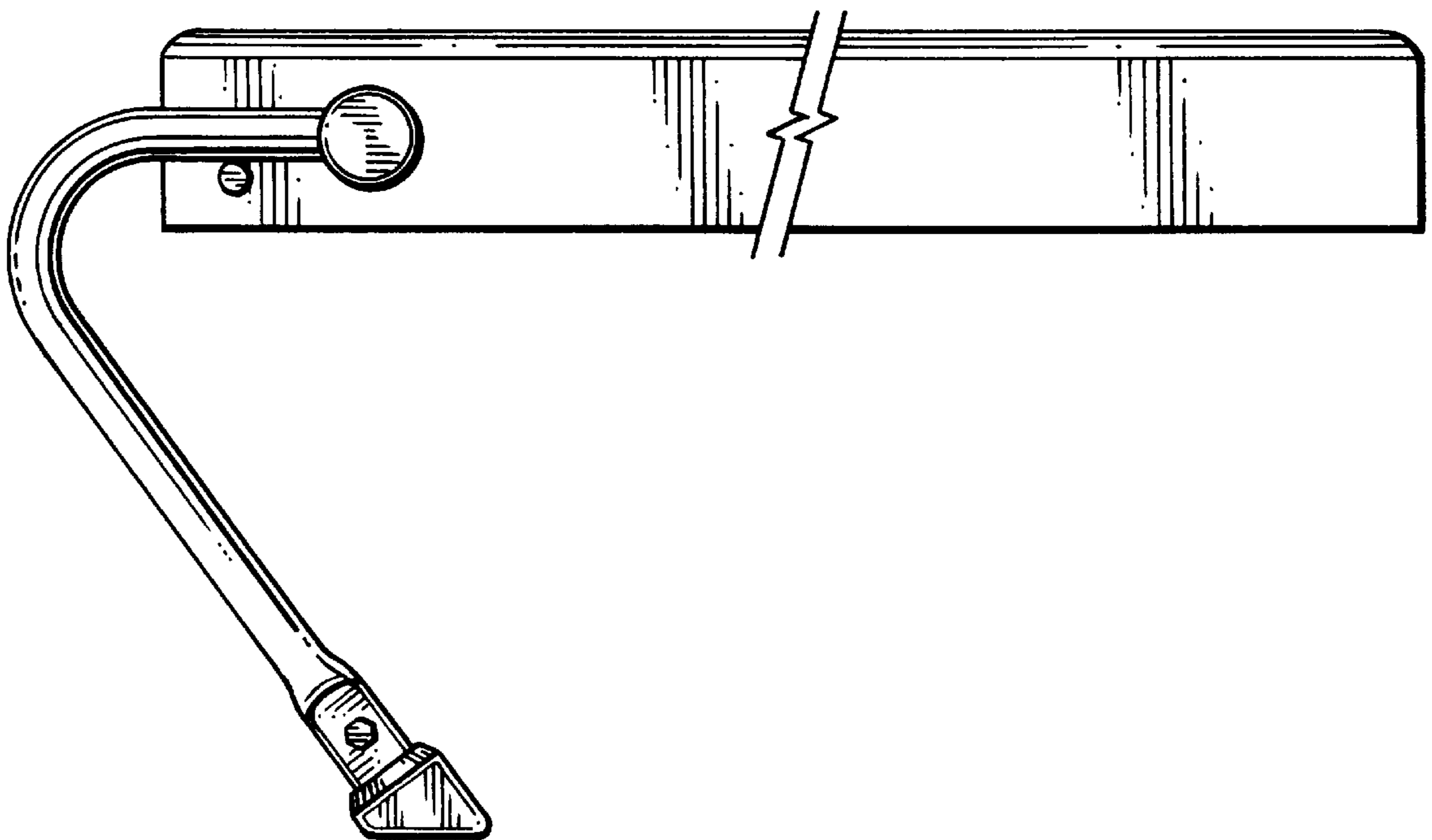


FIG. 9

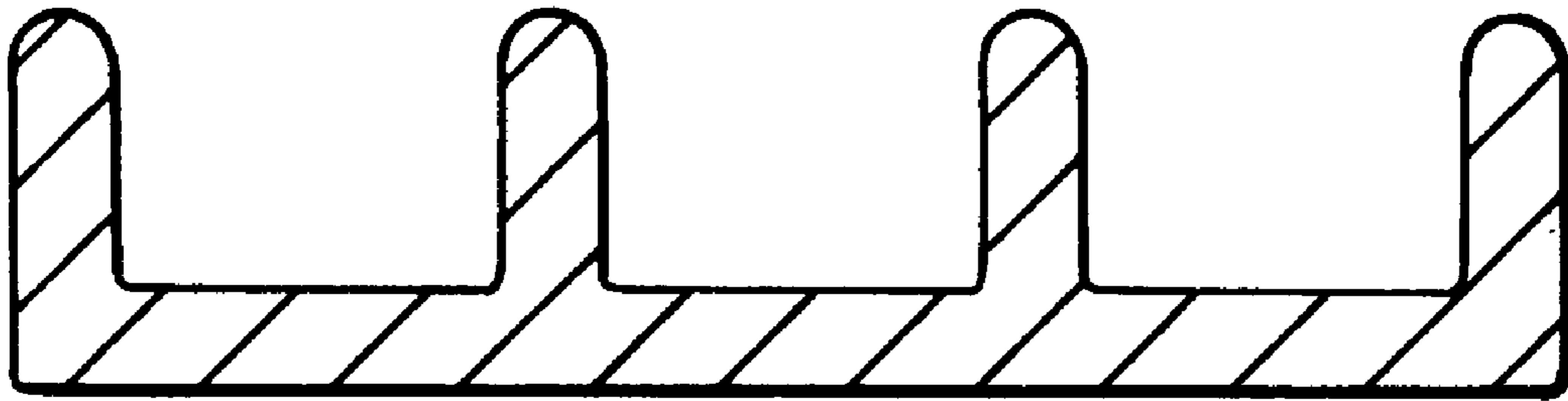


FIG. 10