



US00D433242S

# United States Patent [19]

[11] **Patent Number: Des. 433,242**

**Langston**

[45] **Date of Patent: \*\* Nov. 7, 2000**

[54] **TWO SEAT SWING**

D. 149,900	6/1948	Mock	.....	D6/346
D. 150,093	6/1948	Nagin et al.	.....	D6/346
D. 276,927	12/1984	Bolin	.....	D6/346
686,420	11/1901	Powell	.....	297/174

[76] Inventor: **Anne H. Langston**, 20-24 th Ave., Isle of Palms, S.C. 29451

[\*\*] Term: **14 Years**

*Primary Examiner*—Doris V. Coles  
*Assistant Examiner*—Mimosa De  
*Attorney, Agent, or Firm*—Harleston Law Firm; Kathleen M. Harleston

[21] Appl. No.: **29/115,424**

[22] Filed: **Dec. 14, 1999**

[51] **LOC (7) Cl.** ..... **06-01**

[52] **U.S. Cl.** ..... **D6/346**

[58] **Field of Search** ..... D6/334, 335, 344, D6/346, 347, 370, 501, 510, 502; 297/157.1, 174, 232, 245, 257, 273, 280, 281

[57] **CLAIM**

The ornamental design for a two seat swing, as shown and described.

[56] **References Cited**

**U.S. PATENT DOCUMENTS**

D. 83,587	3/1931	Weaver	.....	D6/346
D. 117,622	11/1939	Smith	.....	D6/346
D. 136,304	9/1943	Smith	.....	D6/346
D. 139,181	10/1944	Mock	.....	D6/346
D. 141,676	6/1945	Cosme	.....	D6/346

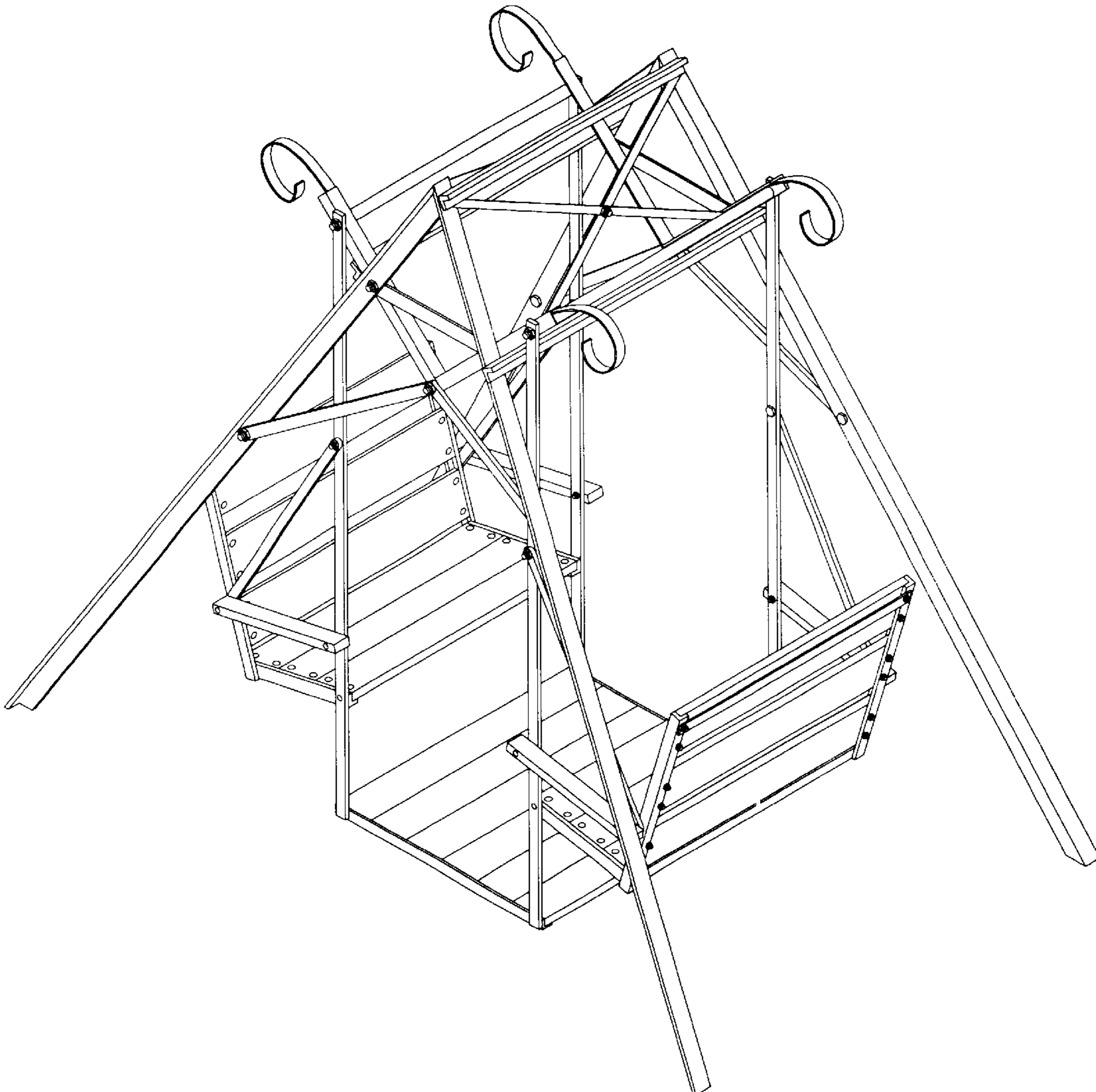
**DESCRIPTION**

FIG. 1 is a front perspective view of a two seat swing, showing my new design;

FIG. 2 is a front elevational view thereof, the undisclosed back being a mirror image of the disclosed front; and,

FIG. 3 is an end elevational view thereof, the undisclosed opposite end being a mirror image thereof.

**1 Claim, 3 Drawing Sheets**



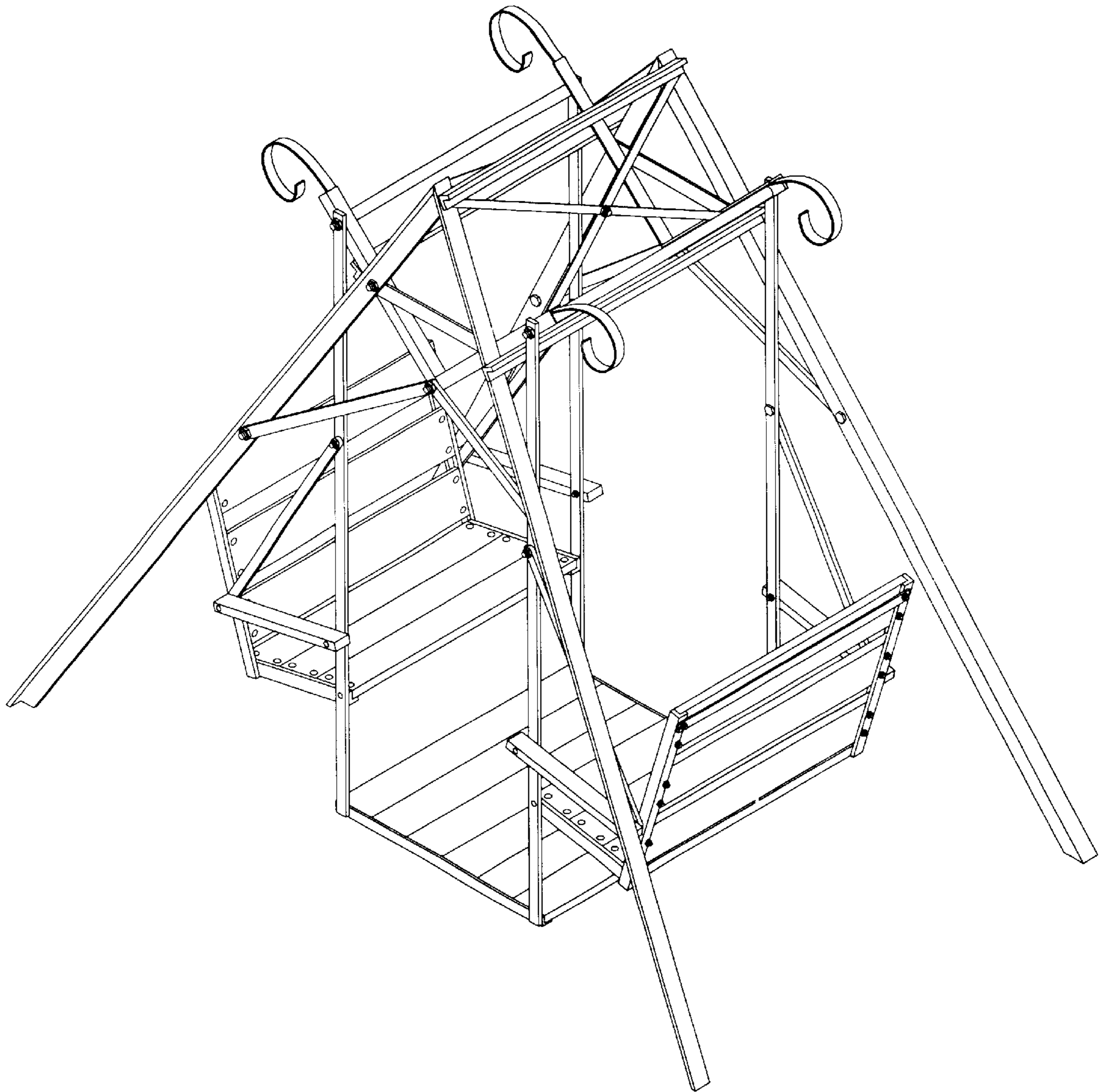


FIG. 1

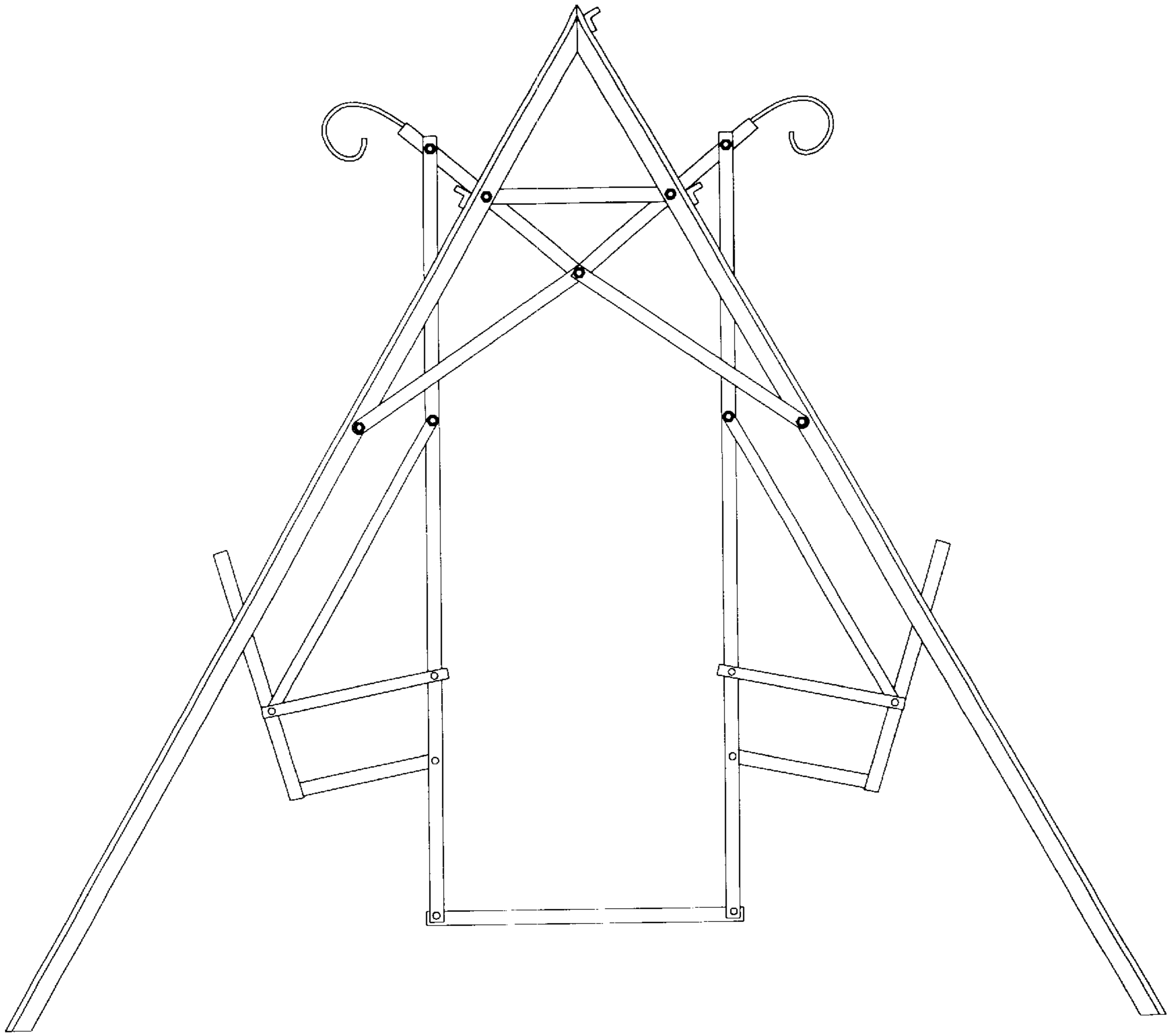


FIG. 2

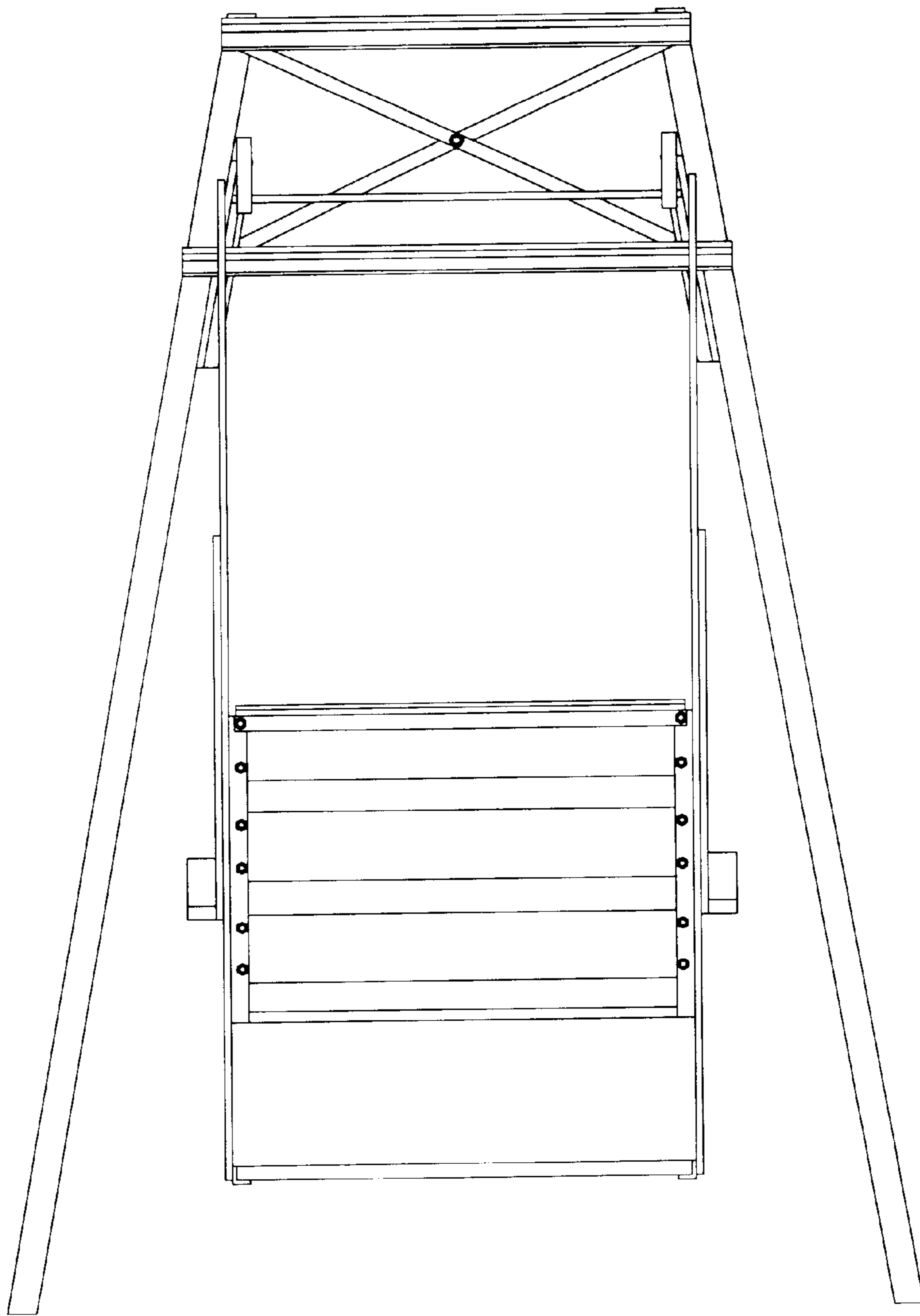


FIG. 3