



US00D433241S

United States Patent [19]

Lewis

[11] Patent Number: Des. 433,241

[45] Date of Patent: ** Nov. 7, 2000

[54] SET OF SURFACE PATTERNS FOR A TAPESTRY FOR A CHAIR

[76] Inventor: Sally Sirkin Lewis, 715 Canon Dr., Beverly Hills, Calif. 90210

[**] Term: 14 Years

[21] Appl. No.: 29/111,758

[22] Filed: Oct. 5, 1999

[51] LOC (7) Cl. 05-03

[52] U.S. Cl. D5/62; D5/60; D5/99; D6/500

[58] Field of Search D5/20, 35, 55, D5/60, 61, 62, 99; 428/187, 542.2, 542.6, 904.4; D6/334, 379, 380, 500, 501, 502, 611

[56] References Cited

U.S. PATENT DOCUMENTS

D. 50,887	6/1917	Godfrey .	
D. 51,109	8/1917	Hanson et al. .	
D. 51,320	10/1917	Nathan .	
D. 68,724	11/1925	Marwede	D5/62
D. 78,731	6/1929	Danzer .	
D. 88,196	11/1932	Willheim	D5/62
D. 88,528	12/1932	George .	
D. 88,693	12/1932	Villani	D5/62
D. 88,826	12/1932	Roberson	D5/62
D. 89,266	2/1933	Schweizer .	
D. 89,357	2/1933	Rubinger	D5/62
D. 91,880	4/1934	Herrel .	
D. 96,016	6/1935	Bruine	D5/62
D. 100,433	7/1936	Martin	D5/62
D. 101,988	11/1936	Heim .	
D. 103,093	2/1937	Chiat .	
D. 105,961	9/1937	Mallinson	D5/62
D. 109,423	4/1938	Salomon .	
D. 113,303	2/1939	Kornfeld .	
D. 119,495	3/1940	Grivin .	
D. 121,041	6/1940	Orian .	
D. 122,735	9/1940	Christen .	

D. 125,471	2/1941	Hand .	
D. 125,955	3/1941	Lebworth .	
D. 129,252	8/1941	Zavell .	
D. 129,870	10/1941	Maisch .	
D. 155,527	10/1949	Minger .	
D. 168,703	1/1953	Odzer	D5/62
D. 186,259	9/1959	Howell .	
D. 191,936	12/1961	McEwan .	
D. 283,973	5/1986	Hougaard	D5/62
D. 317,085	5/1991	Cerny .	
D. 342,629	12/1993	Tseng	D6/370
D. 364,743	12/1995	Lewis .	
D. 373,253	9/1996	Maple	D6/370
5,067,771	11/1991	Ellis	D6/500

Primary Examiner—Robert M. Spear
Attorney, Agent, or Firm—Finnegan, Henderson, Farabow, Garrett & Dunner, LLP

[57] CLAIM

The ornamental design for set of surface patterns for a tapestry for a chair, as shown and described.

DESCRIPTION

FIG. 1 is a front side perspective view of a set of surface patterns for a tapestry for a chair, showing my new design embodied in a chair;

FIG. 2 is a rear, side perspective view thereof;

FIG. 3 is a front view thereof;

FIG. 4 is a top plan view thereof;

FIG. 5 is a left side elevational view thereof;

FIG. 6 is a right side elevational view thereof;

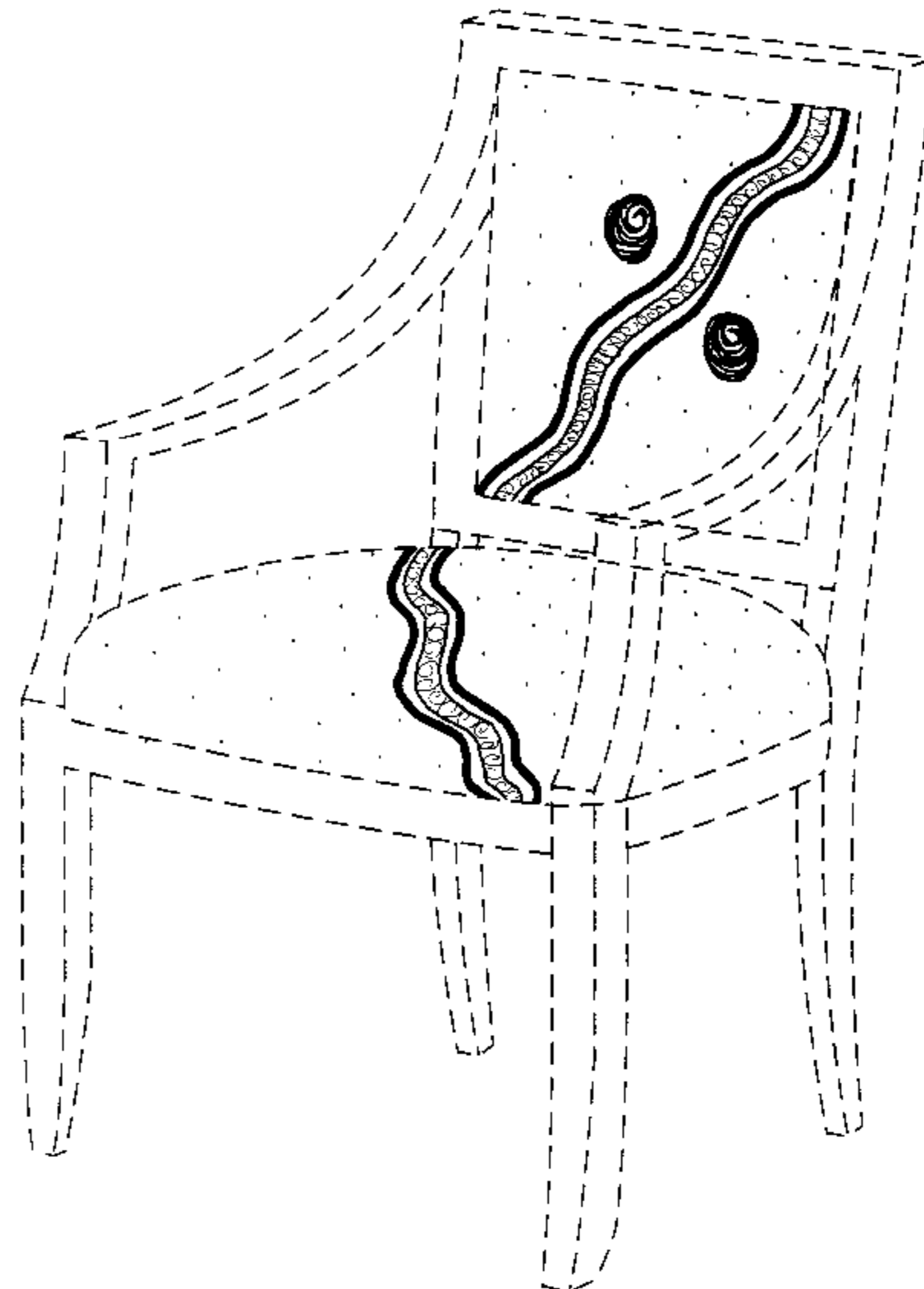
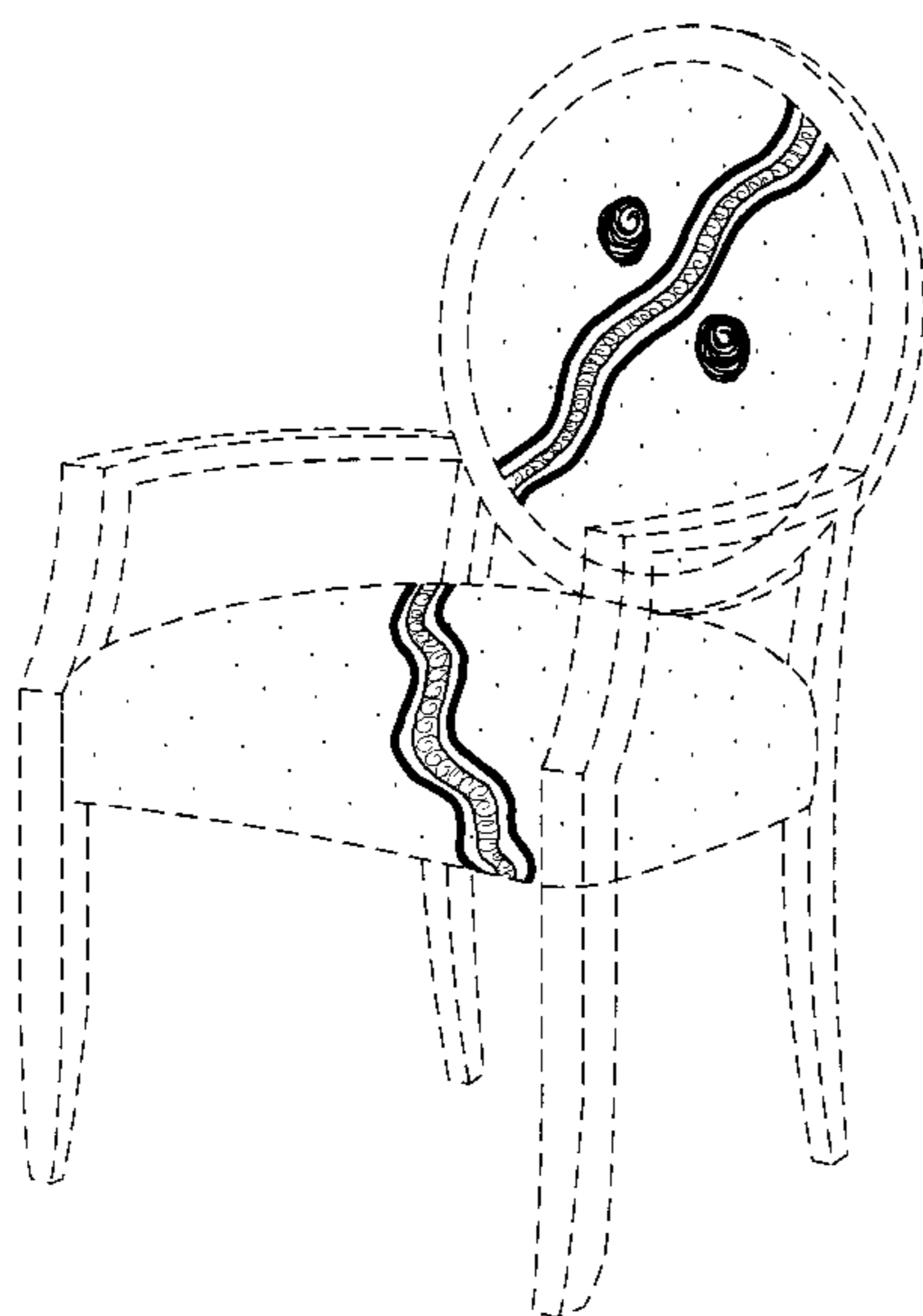
FIG. 7 is a rear elevational view thereof;

FIG. 8 is a front, side perspective view of a set of surface patterns for a tapestry for a chair, showing my new design embodied in an alternate style of chair; and,

FIG. 9 is a rear, side perspective view thereof.

In the drawings, the broken lines adjacent to each pattern define the boundaries of the claimed patterns as well as the tapestry to which the patterns are applied; the broken line showings of a chair are for illustrative purposes only. The broken lines form no part of the claimed design.

1 Claim, 9 Drawing Sheets



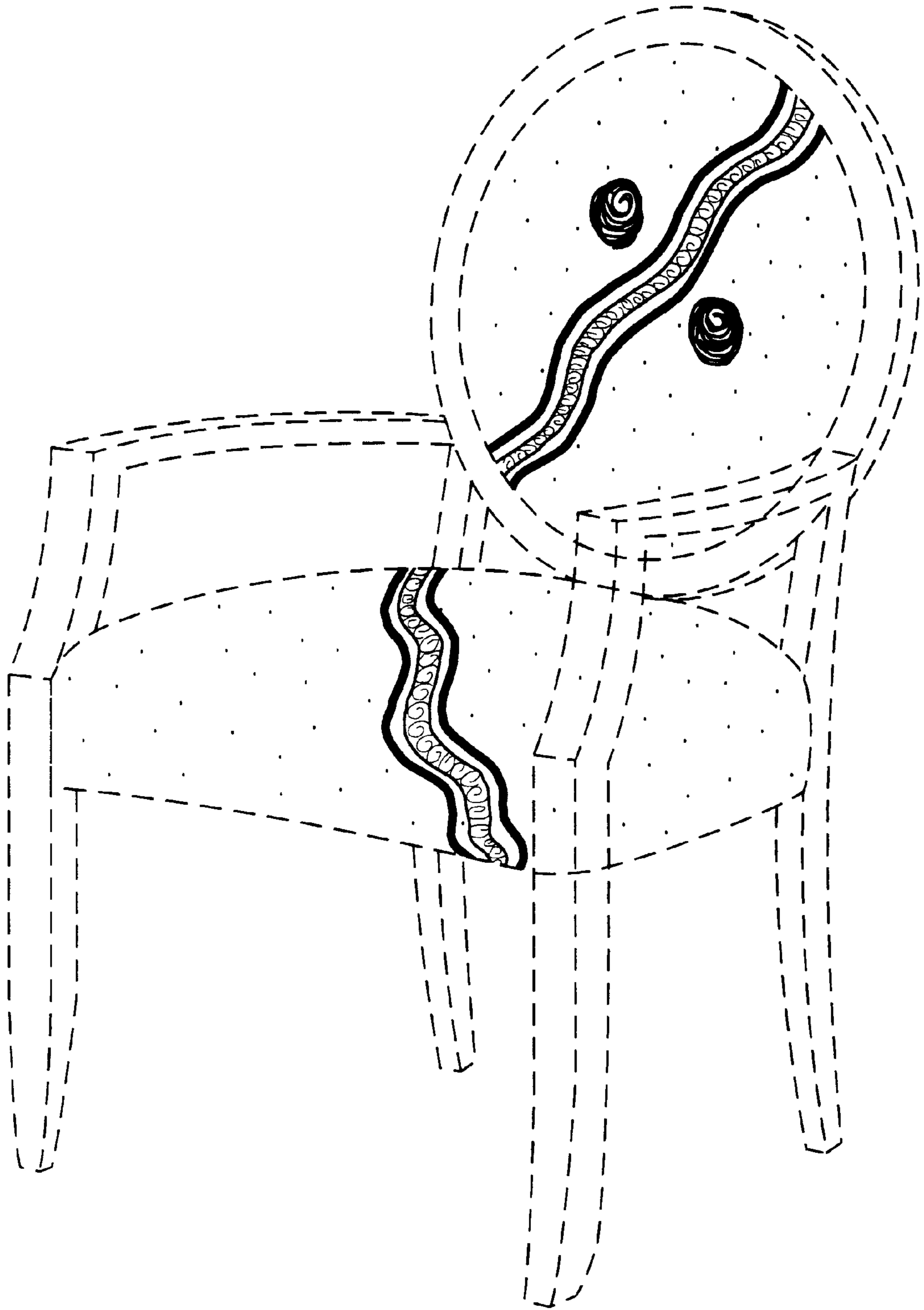


FIG. 1

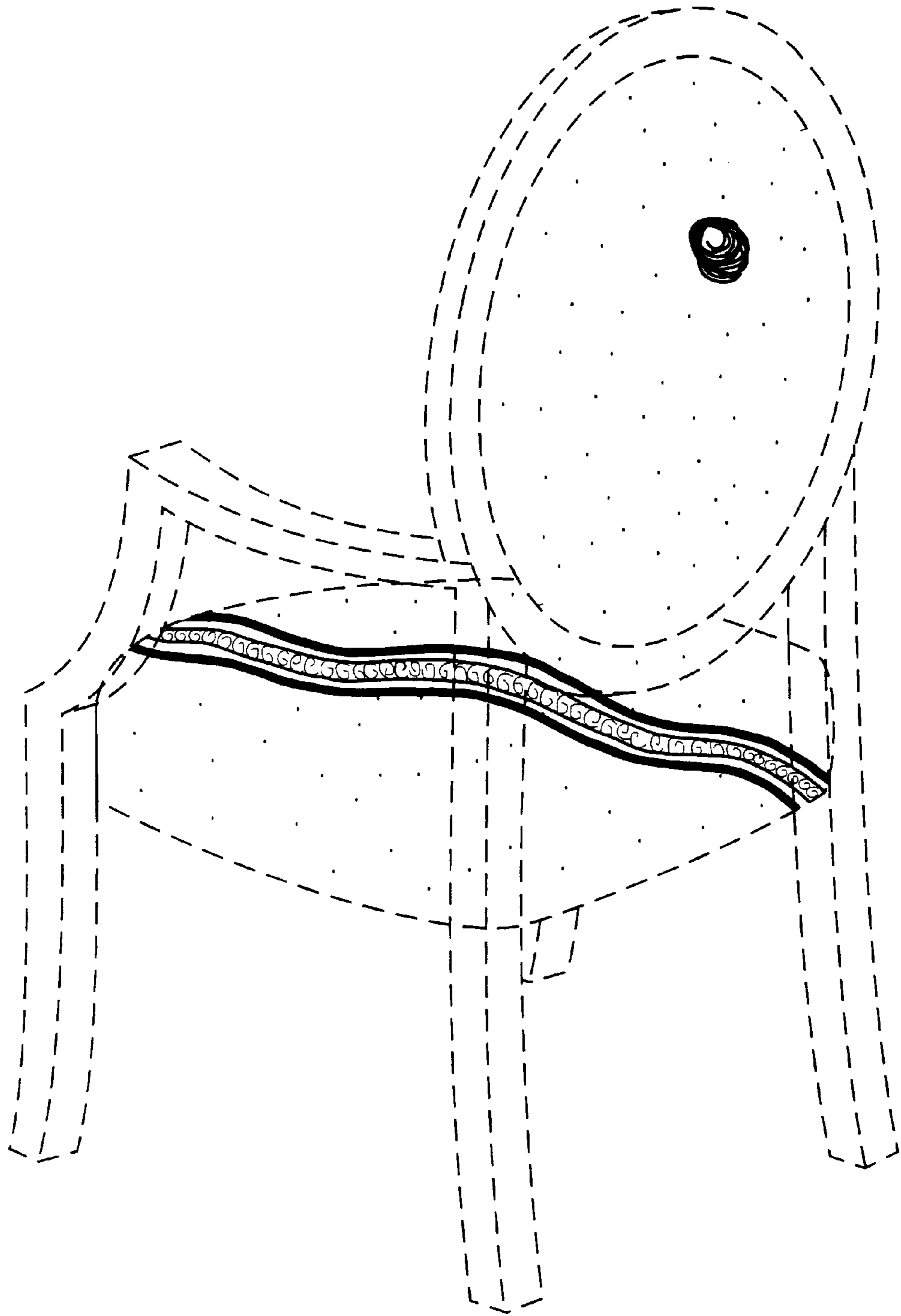


FIG. 2

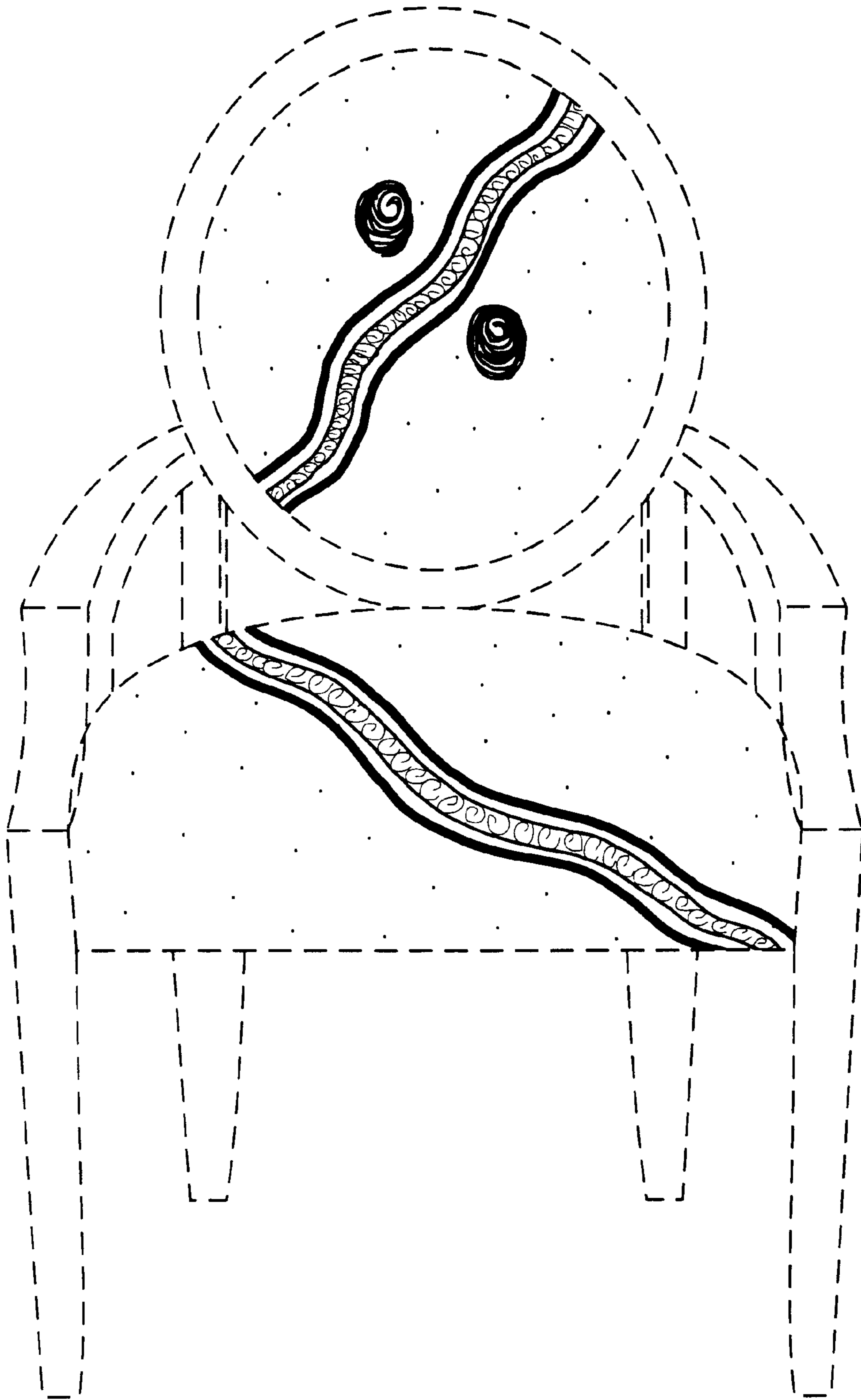


FIG. 3

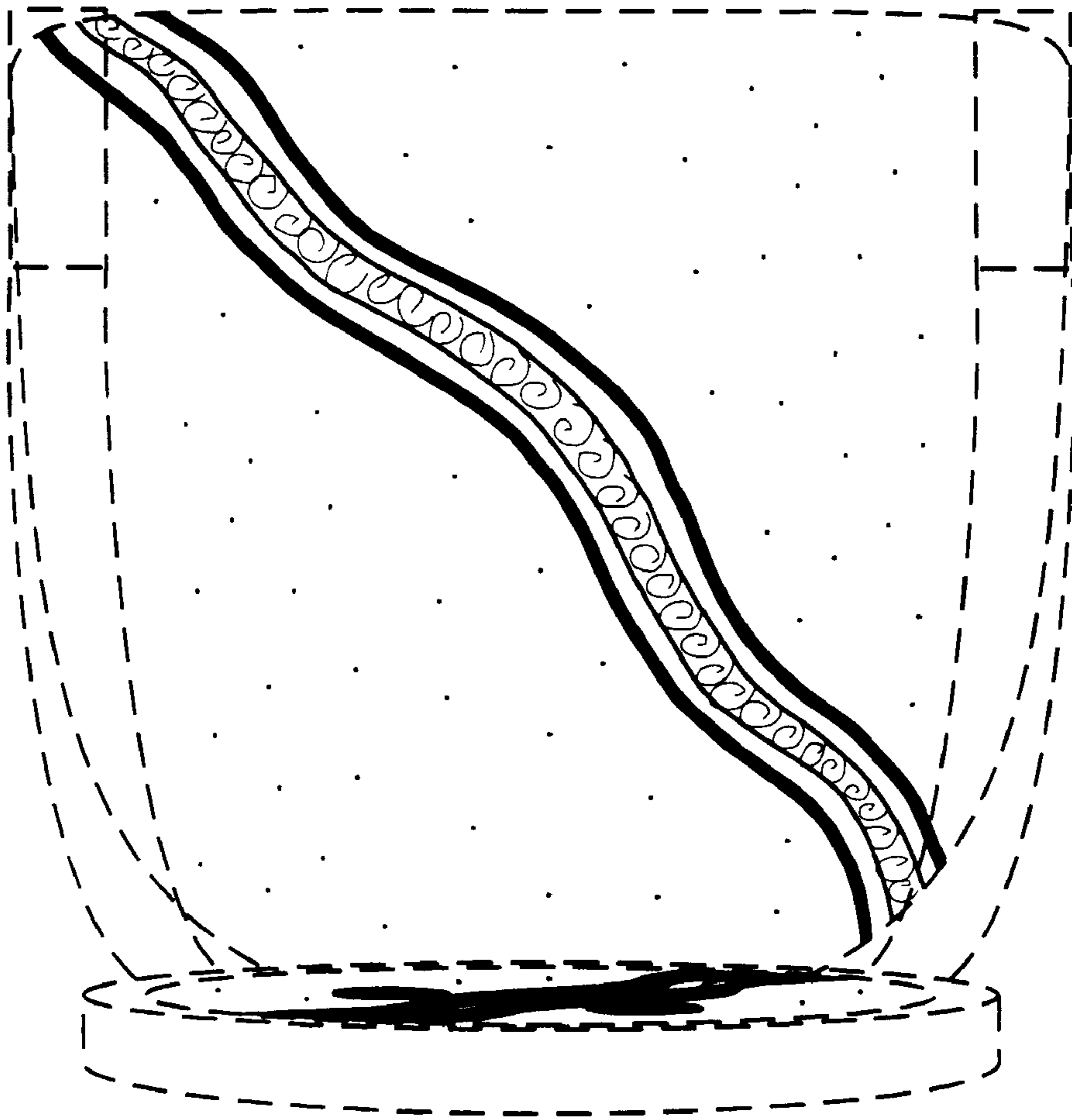


FIG. 4

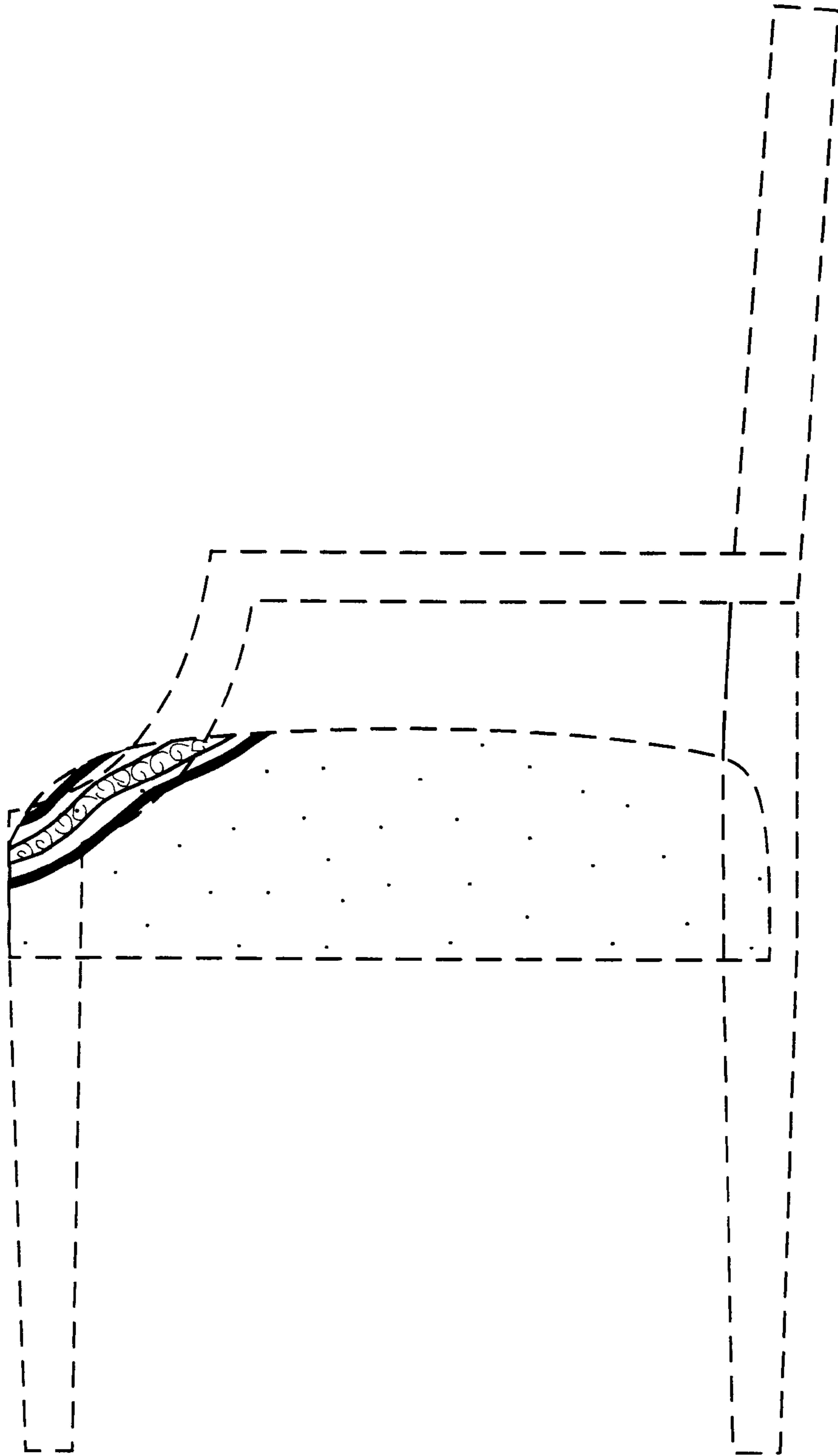


FIG. 5

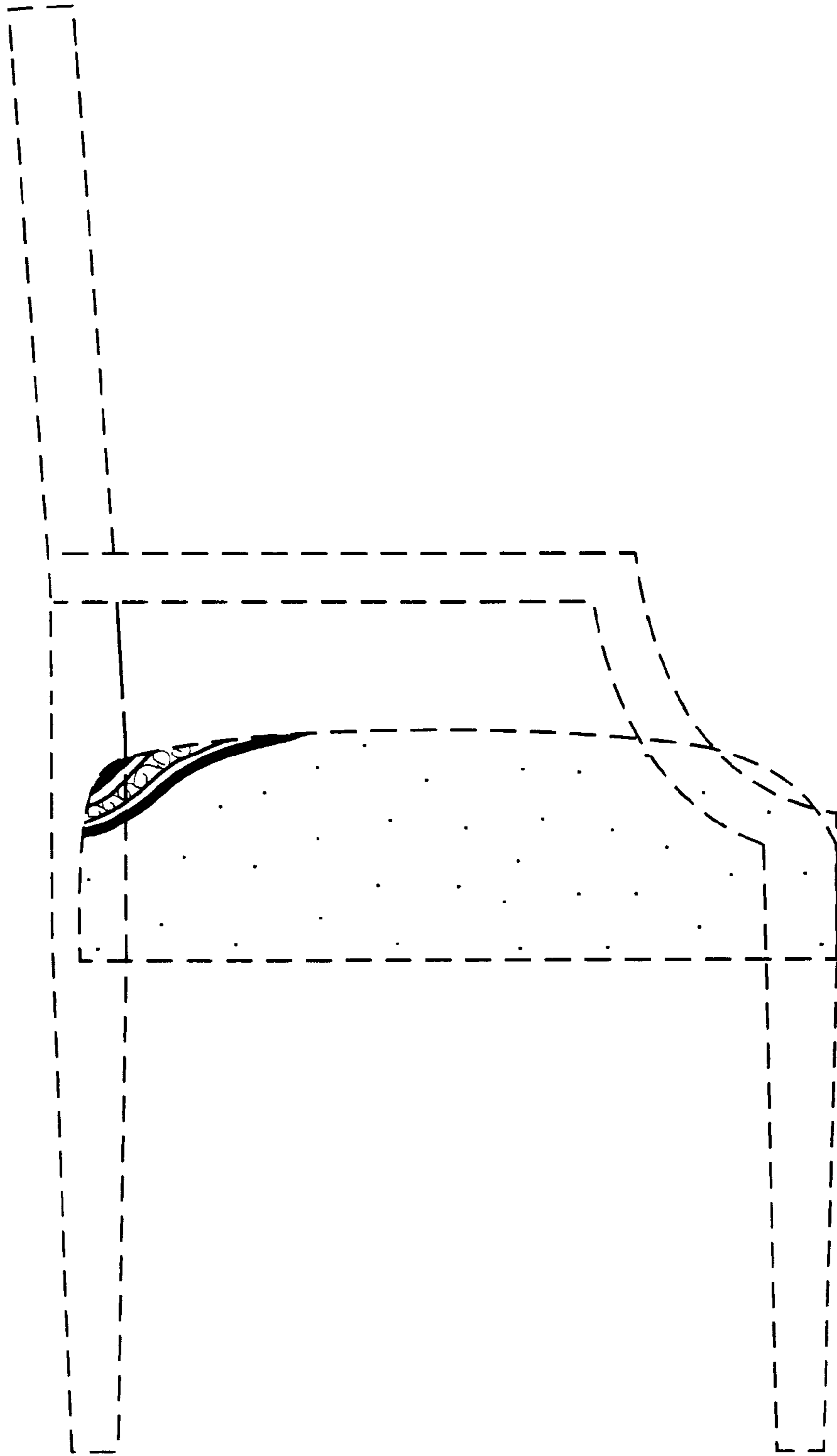


FIG. 6

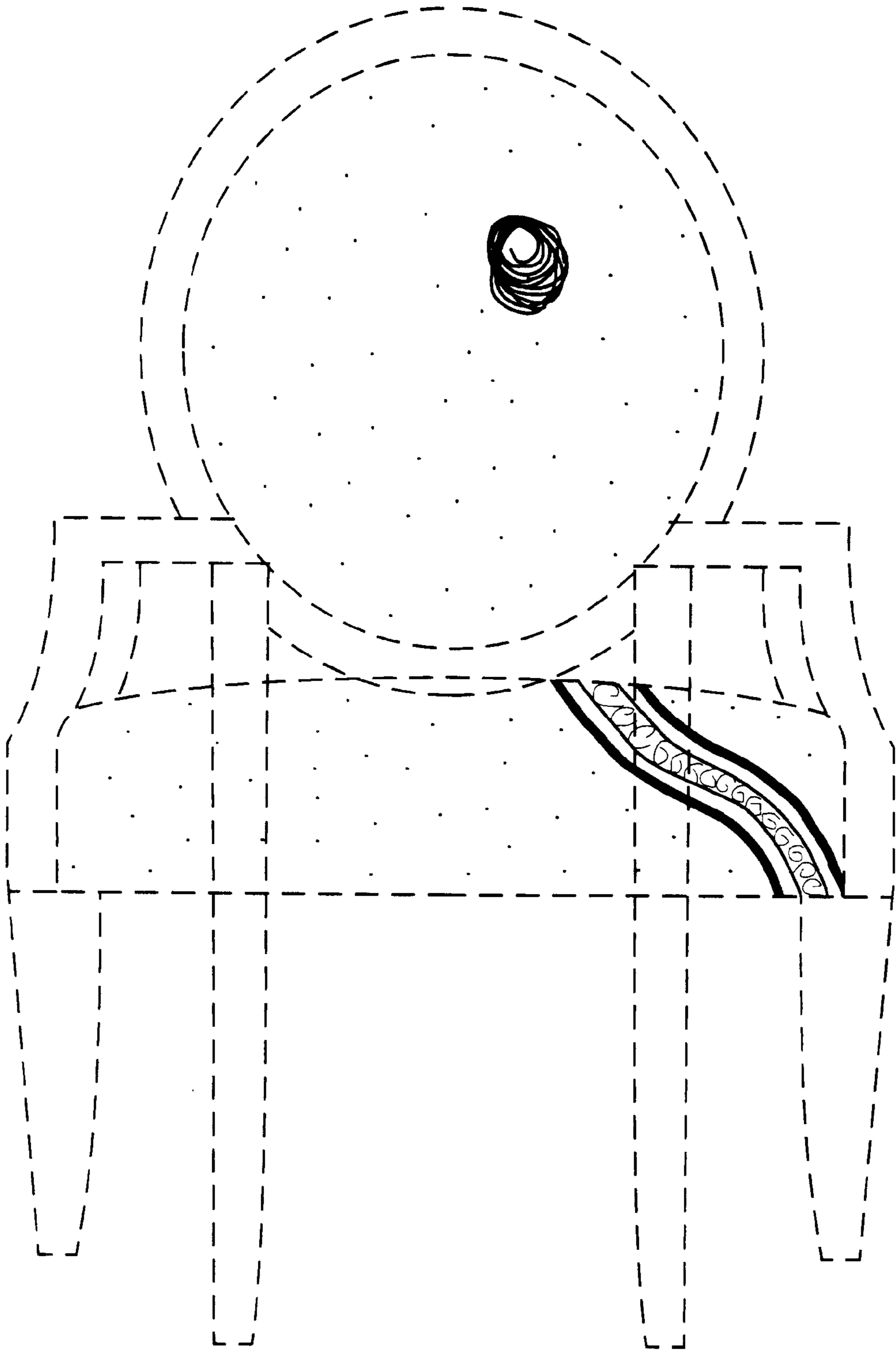


FIG. 7

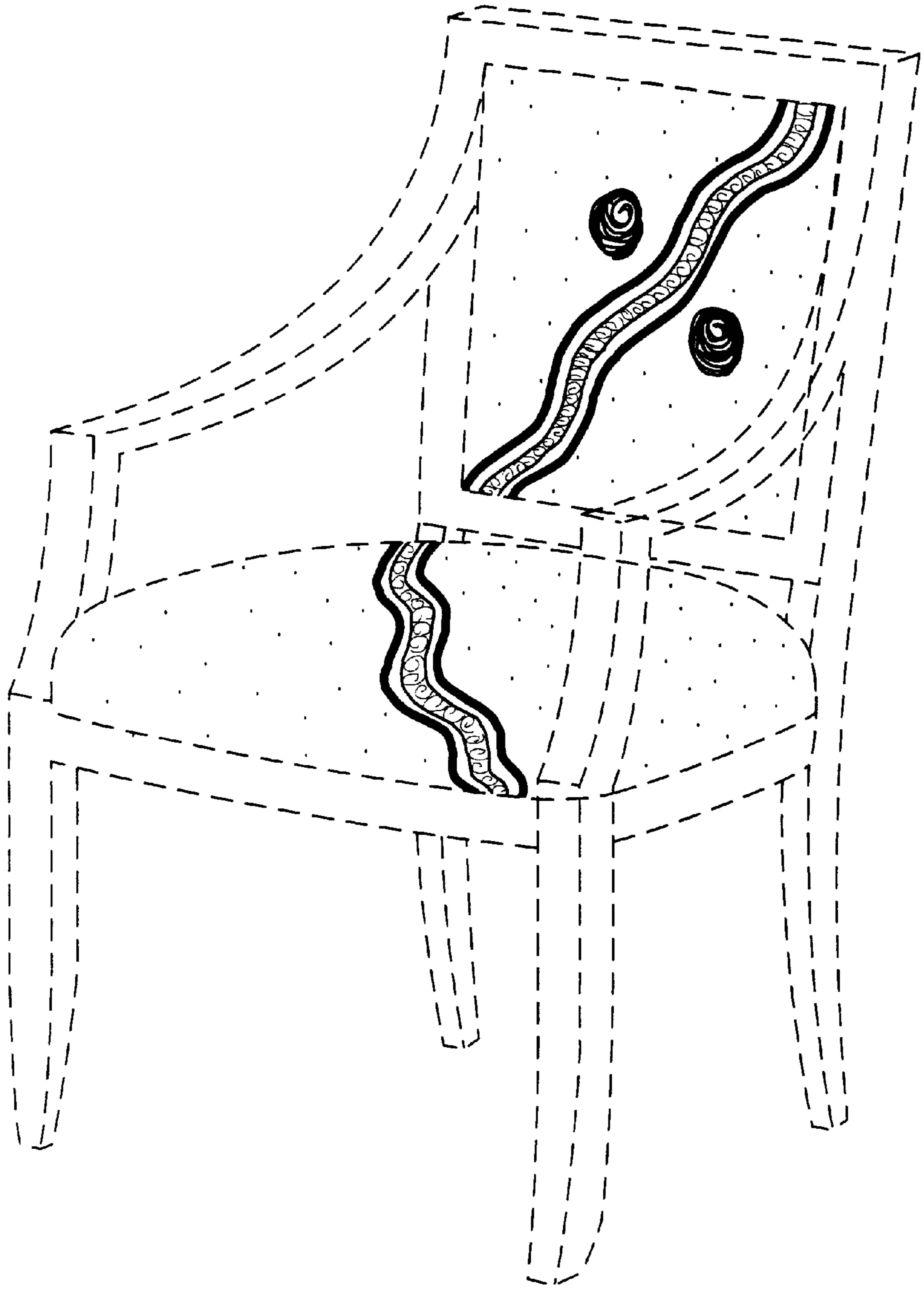


FIG. 8

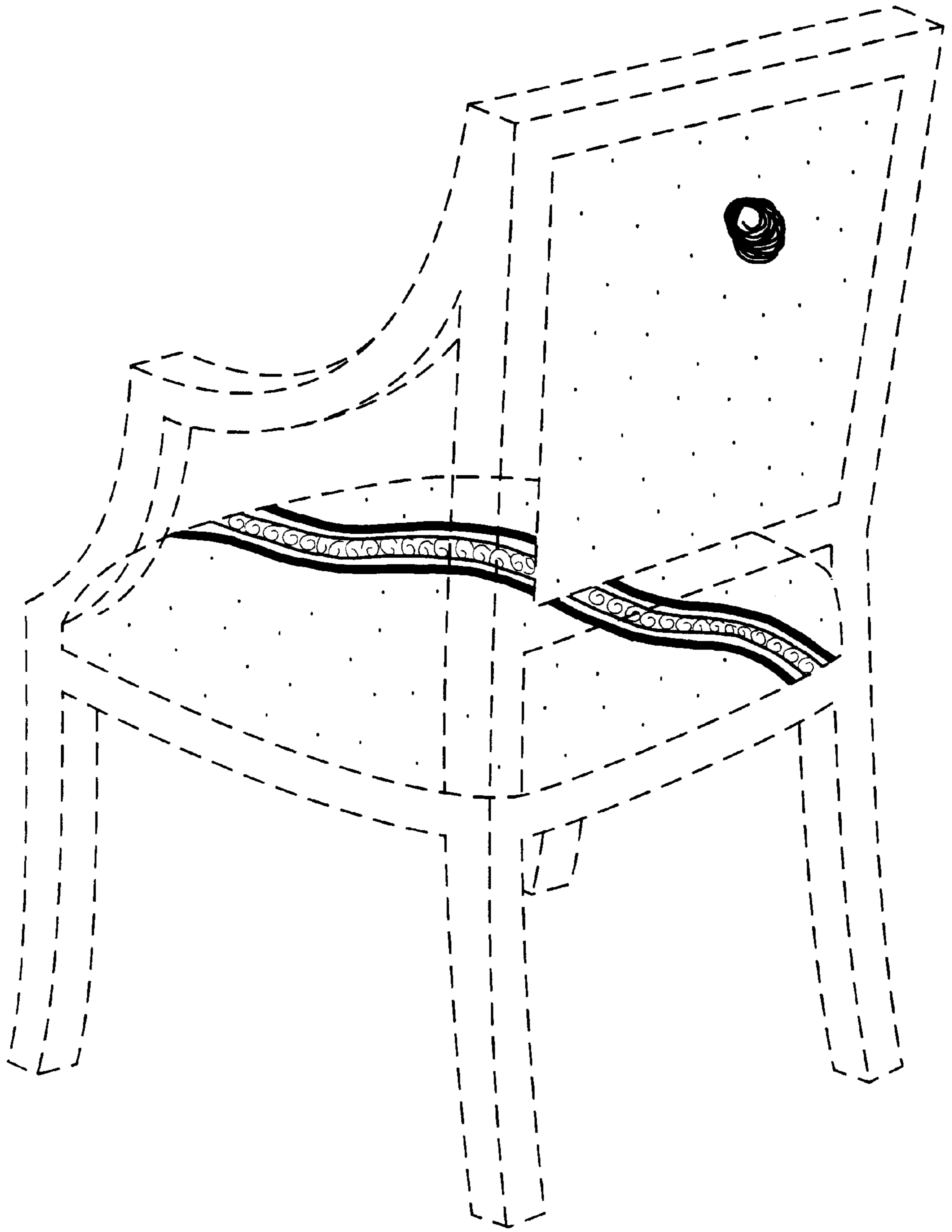


FIG. 9