



US00D433229S

# United States Patent [19]

Harker et al.

[11] Patent Number: Des. 433,229

[45] Date of Patent: \*\* Nov. 7, 2000

[54] BELT MOUNTED TOOL HOLDER

5,547,115 8/1996 Ambrosius et al. .... 224/240

[76] Inventors: Leonard C Harker; Joanne Harker, both of 87 Wilmington Dr., Petaluma, Calif. 94952

Primary Examiner—Louis S. Zarfes  
Assistant Examiner—Catherine R. Oliver

[\*\*] Term: 14 Years

### [57] CLAIM

The ornamental design for a belt mounted tool holder, as shown and described.

[21] Appl. No.: 29/119,197

### DESCRIPTION

[22] Filed: Feb. 25, 2000

[51] LOC (7) Cl. .... 03-01

[52] U.S. Cl. .... D3/228

[58] Field of Search ..... D3/228, 215, 218, D3/224, 226; 224/901, 904, 240, 245, 673, 677; 206/336-340

FIG. 1 is a front elevational view of the belt mounted tool holder of the present invention;  
FIG. 2 is a rear elevational view of the belt mounted tool holder of FIG. 1;  
FIG. 3 is a left side elevational view of the belt mounted tool holder of FIG. 1;  
FIG. 4 is a right side elevational view of the belt mounted tool holder of FIG. 1;  
FIG. 5 is a top plan view of the belt mounted tool holder of FIG. 1; and,  
FIG. 6 is a bottom plan view of the belt mounted tool holder of FIG. 1.

### [56] References Cited

#### U.S. PATENT DOCUMENTS

D. 314,670	2/1991	Schultz	.....	D3/228
D. 403,150	12/1998	Diener et al.	.....	D3/228
D. 404,199	1/1999	Letson	.....	D3/228
4,821,933	4/1989	Seber	.....	224/904

1 Claim, 3 Drawing Sheets

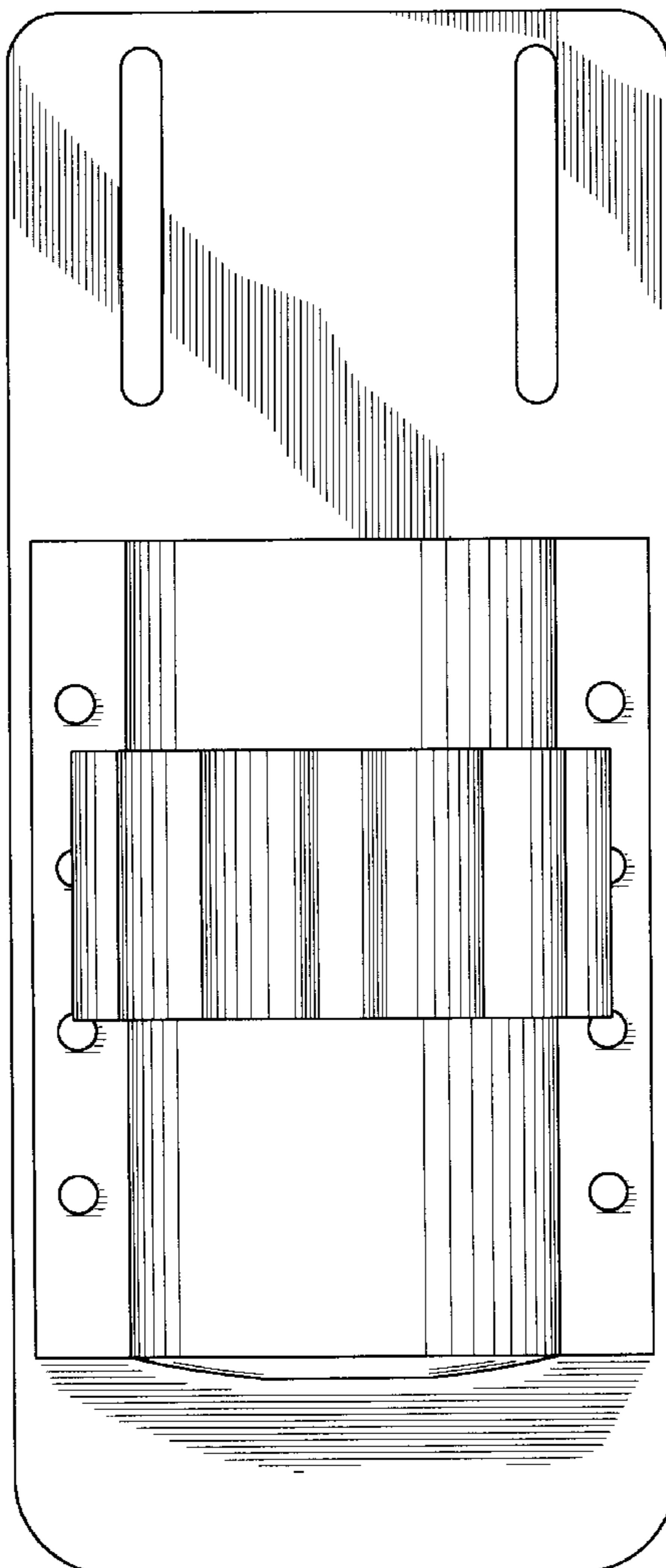


FIG. 1

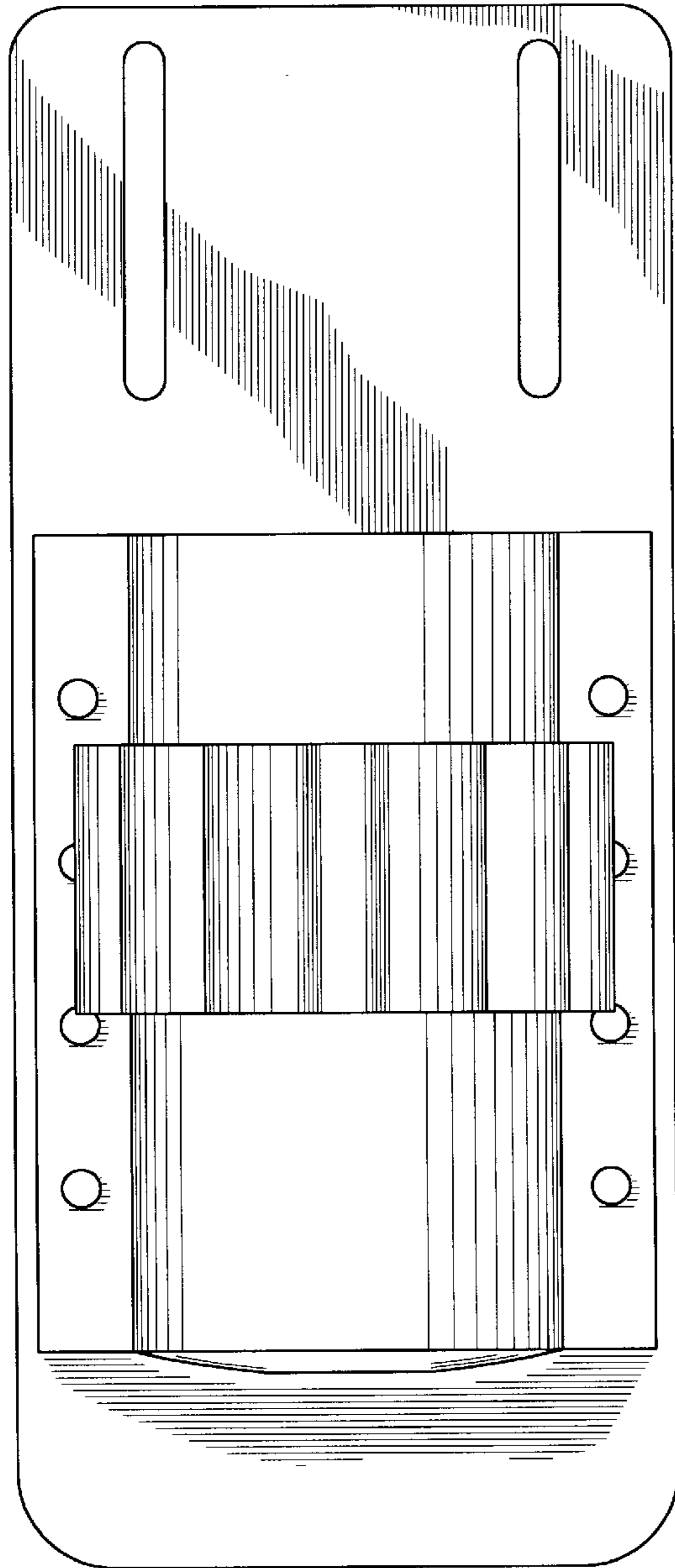


FIG. 2

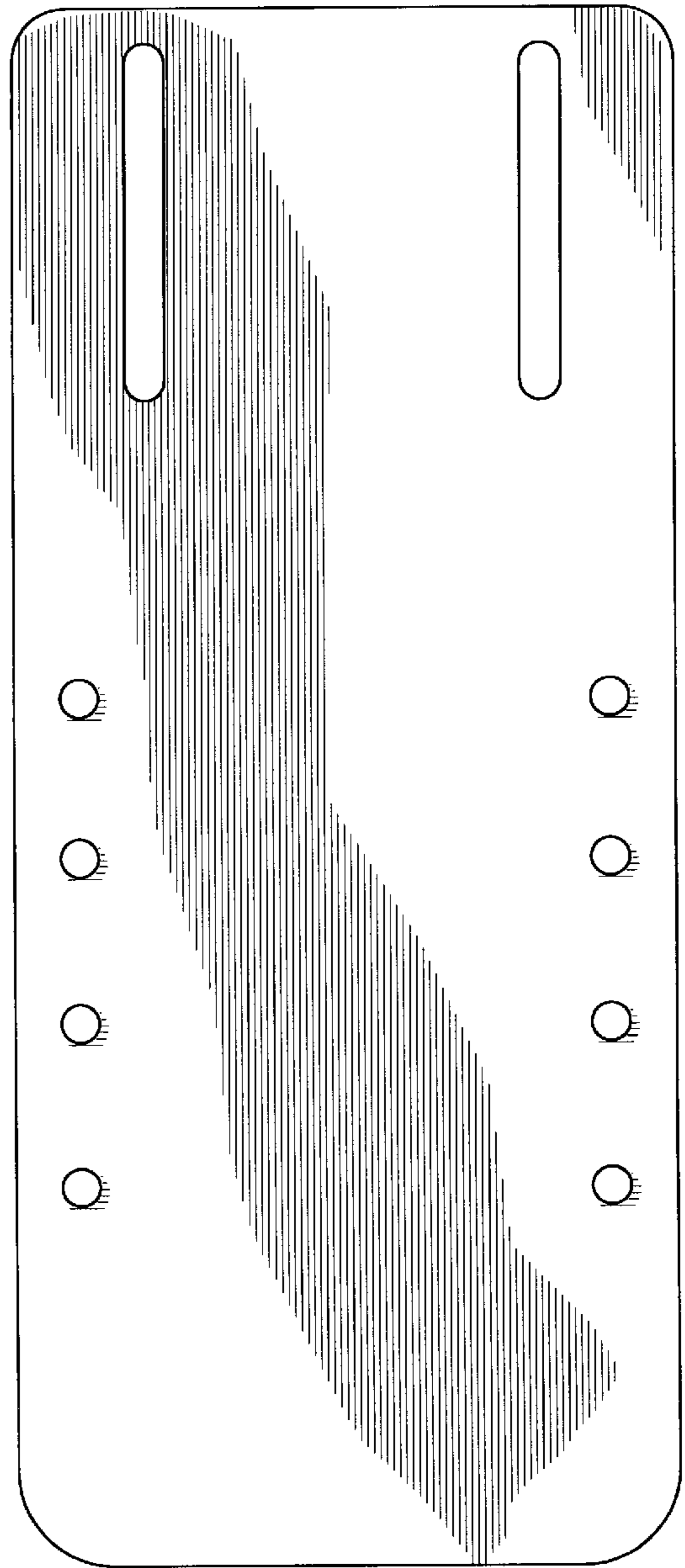


FIG. 3

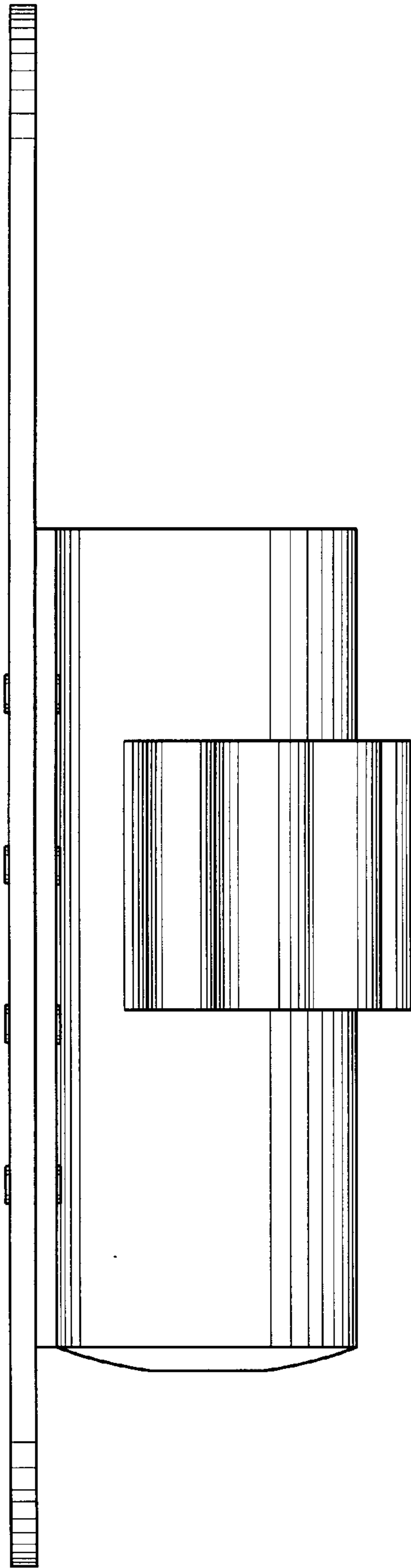


FIG. 4

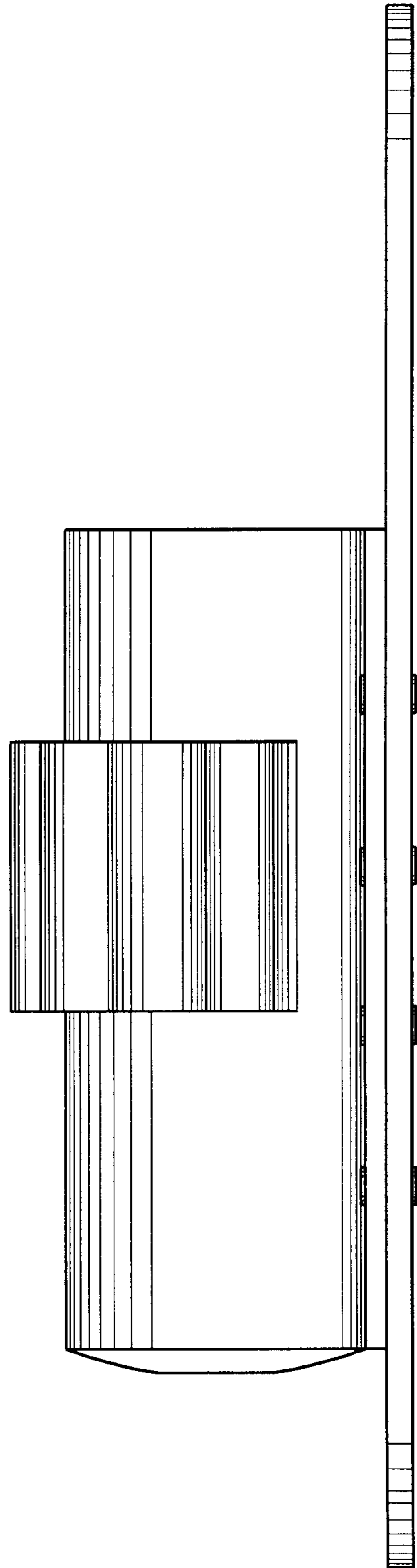


FIG. 5

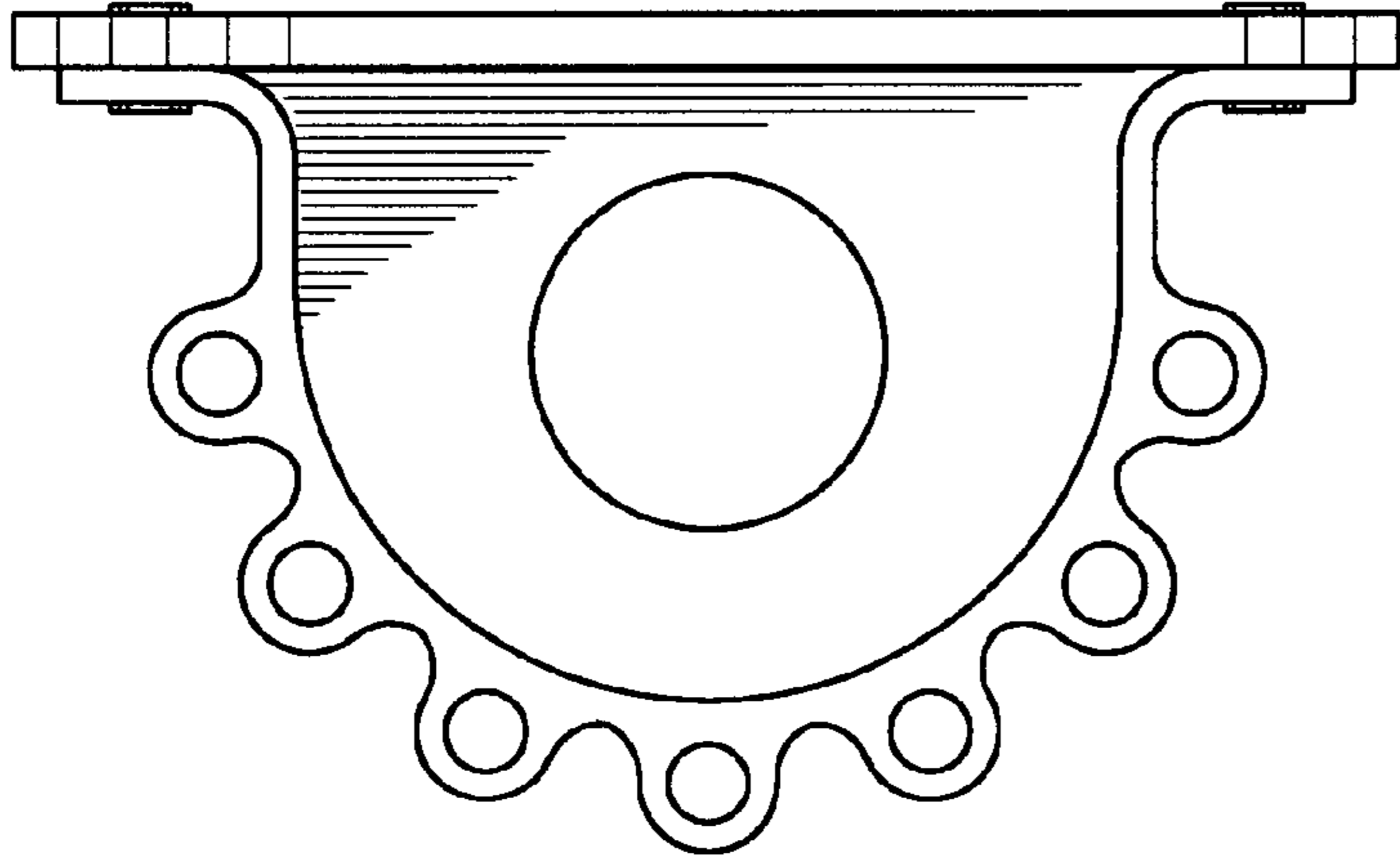


FIG. 6

