



US00D433228S

United States Patent [19]

Wentling, Jr.

[11] Patent Number: Des. 433,228

[45] Date of Patent: ** Nov. 7, 2000

[54] BELT FOR CARRYING BABY ACCESSORIES

[76] Inventor: John Wentling, Jr., 210 Grindingwheel Dr., Dover, Del. 19904

[**] Term: 14 Years

[21] Appl. No.: 29/114,000

[22] Filed: Nov. 16, 1999

[51] LOC (7) Cl. 03-01

[52] U.S. Cl. D3/226; D3/224; D3/228

[58] Field of Search D3/226, 224, 215, D3/213, 214, 228; 224/901, 904, 684, 245, 240, 250; 190/107, 109; D2/627-631

[56] **References Cited**

U.S. PATENT DOCUMENTS

D. 334,663	4/1993	Petrillo	D3/226
D. 348,983	7/1994	Dancyger	D3/224
D. 350,849	9/1994	Dancyger	D3/228
D. 393,365	4/1998	Wheeler et al.	D3/226
D. 411,038	6/1999	Fair et al.	D3/226
3,085,610	4/1963	Vardan	190/107
4,886,150	12/1989	Fitzsimmons	190/1

4,923,105	5/1990	Snyder	224/255
4,993,614	2/1991	Bonofiglo	224/253
5,201,448	4/1993	Schue	224/904 X
5,568,889	10/1996	Holloway, Jr. et al.	224/661
5,730,340	3/1998	Bosic	224/684 X

Primary Examiner—Louis S. Zarfes
Assistant Examiner—Catherine R. Oliver
Attorney, Agent, or Firm—Goldstein & Canino

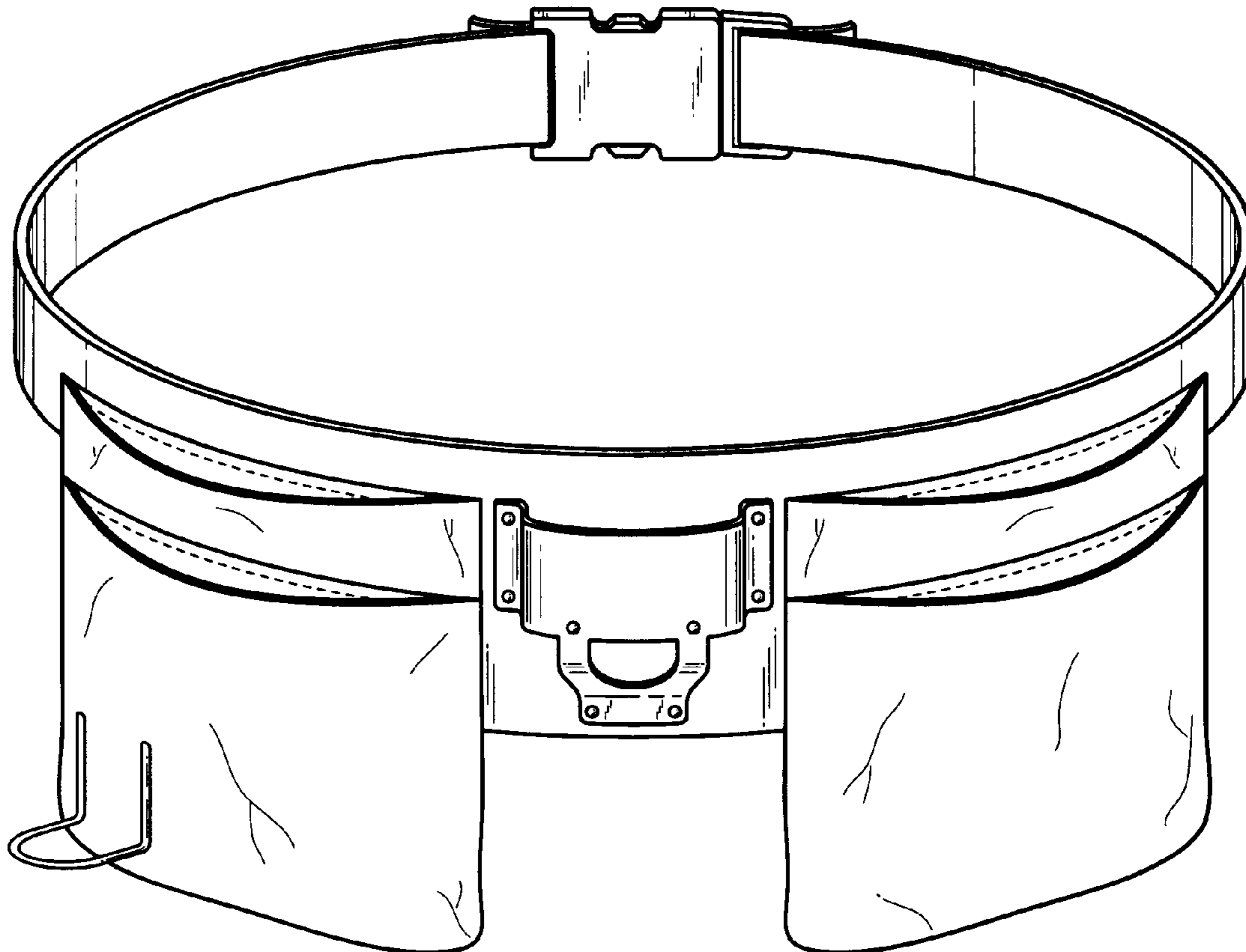
[57] **CLAIM**

The ornamental design for a belt for carrying baby accessories, as shown and described.

DESCRIPTION

FIG. 1 is a perspective view of a belt for carrying baby accessories.
FIG. 2 is a front elevational view thereof.
FIG. 3 is a rear elevational view thereof.
FIG. 4 is a top plan view thereof.
FIG. 5 is a bottom plan view thereof.
FIG. 6 is a left side elevational view of the belt for carrying baby accessories; and,
FIG. 7 is a right side elevational view thereof.

1 Claim, 4 Drawing Sheets



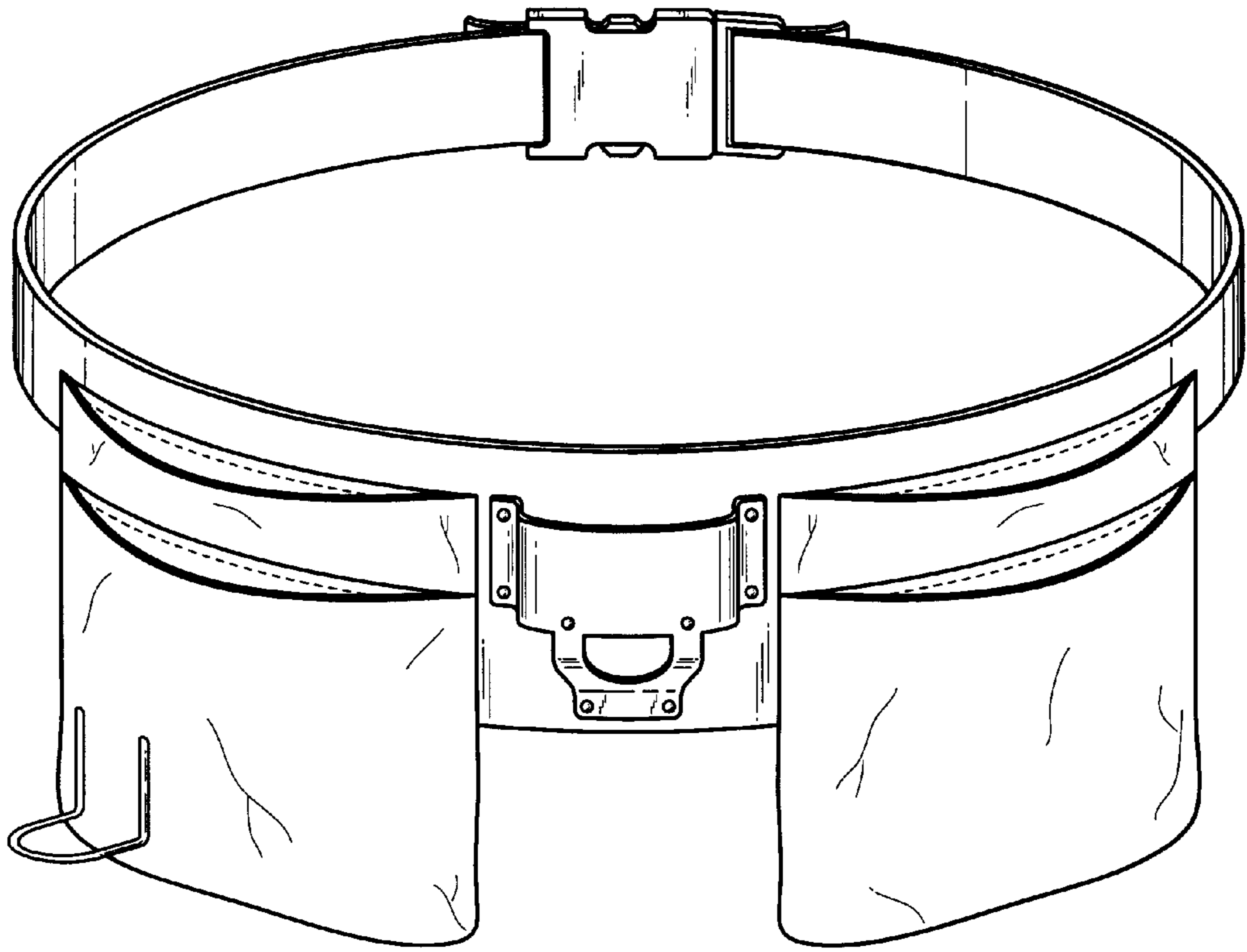


FIG. 1

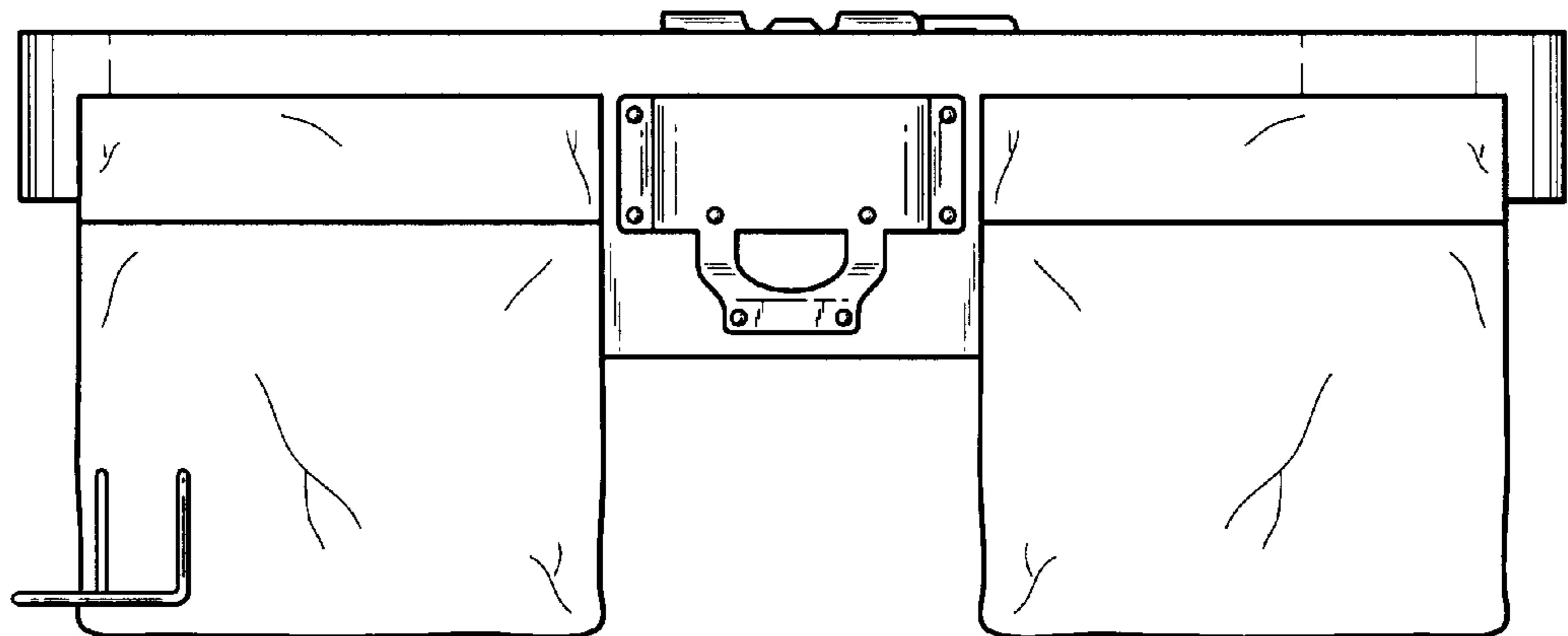


FIG. 2

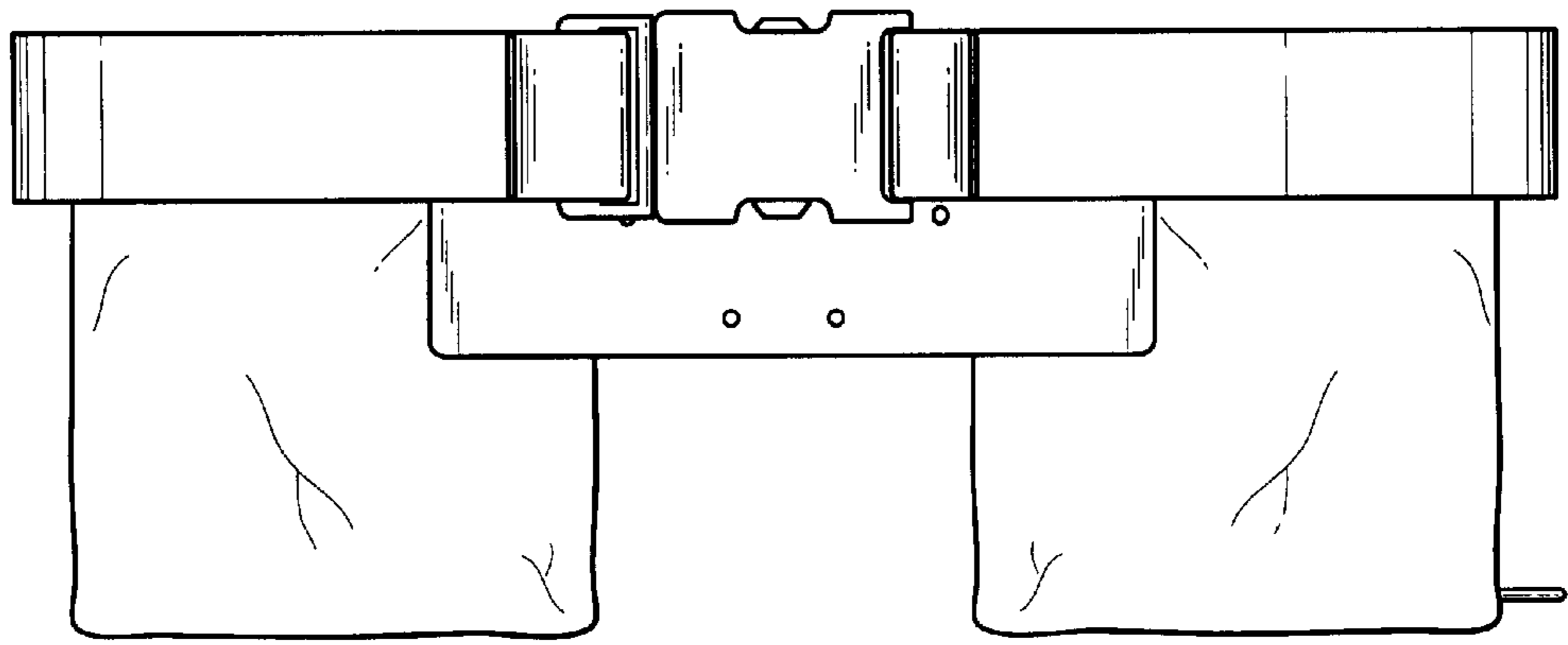
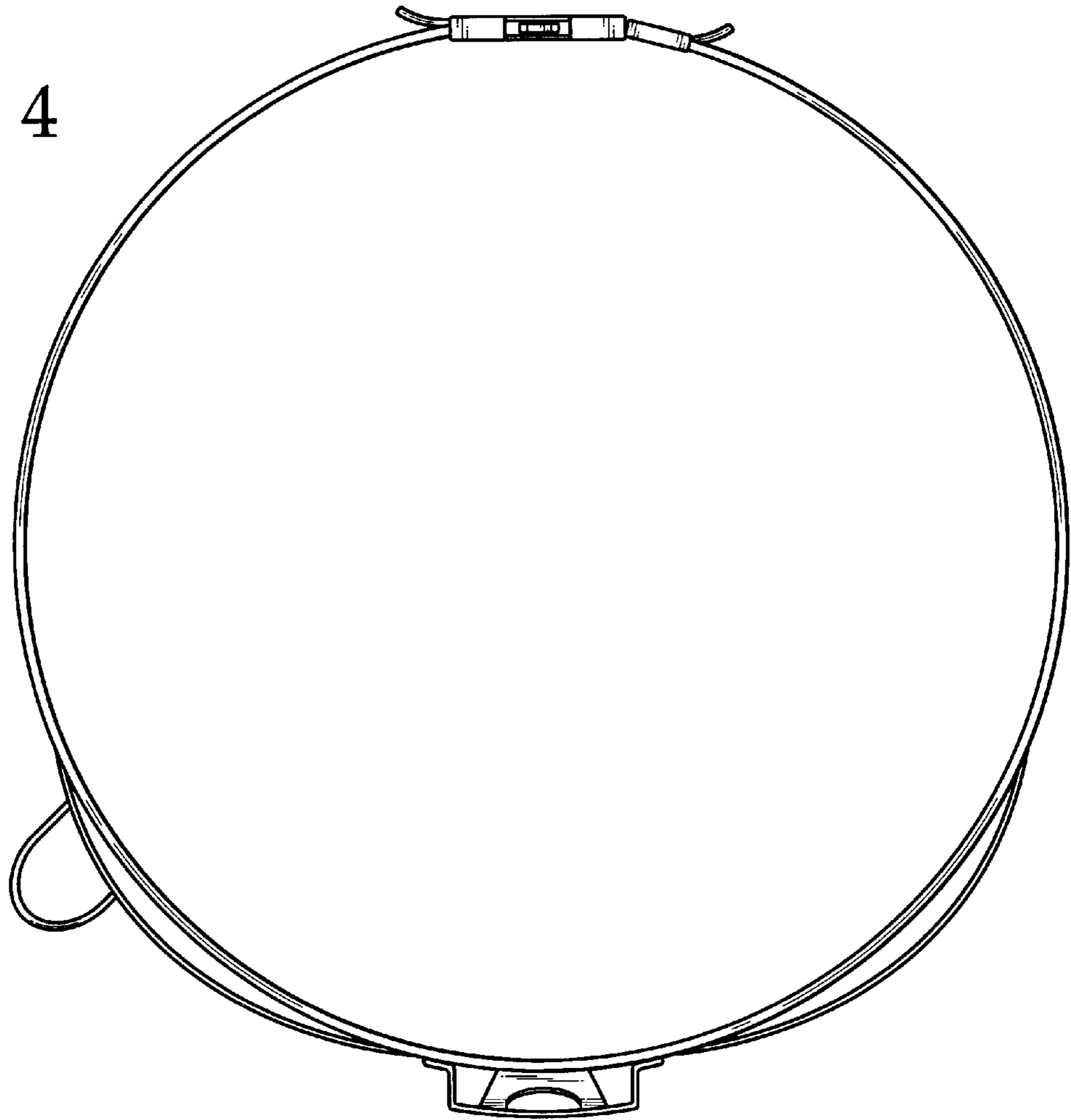


FIG. 3

FIG. 4



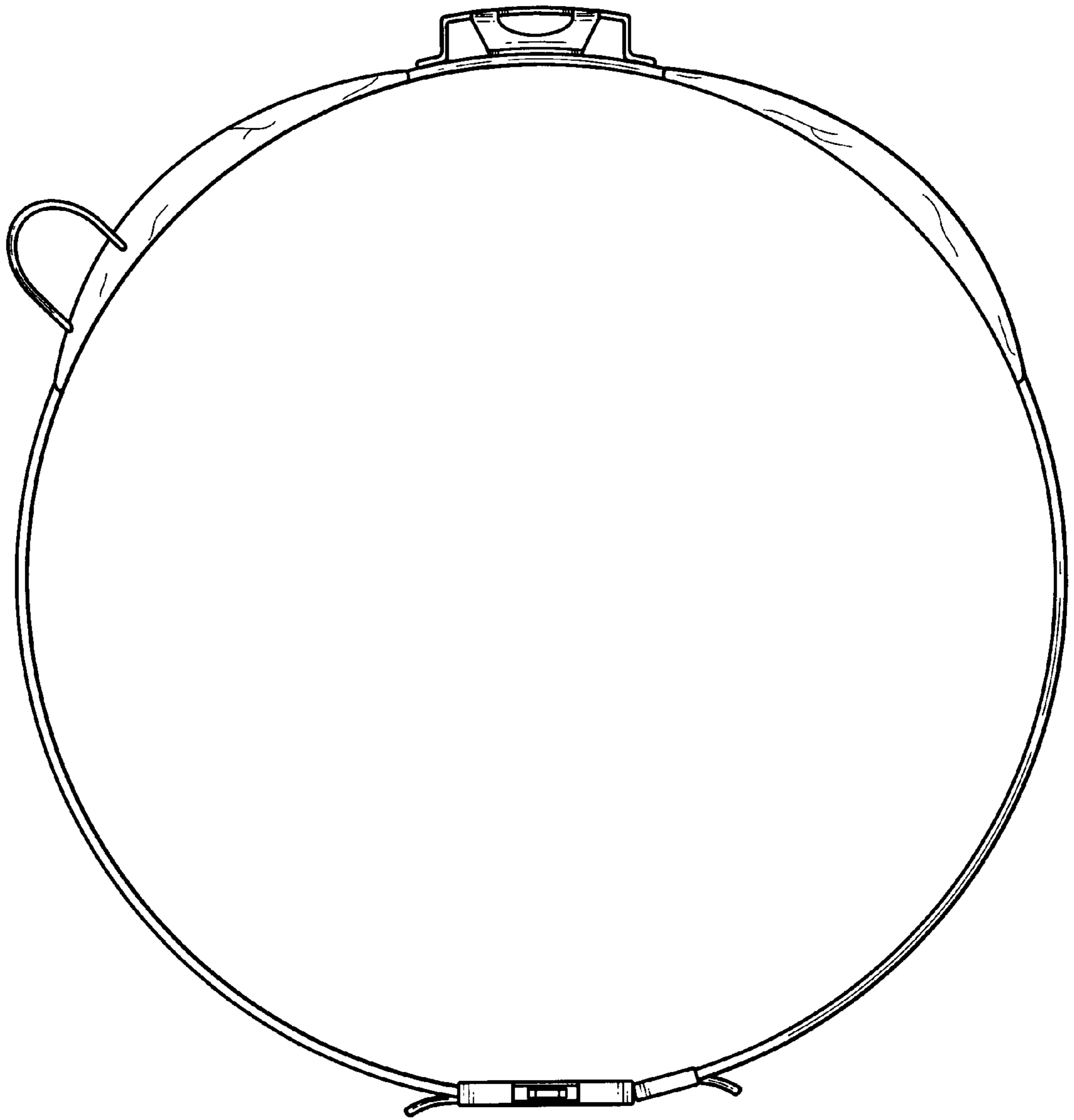


FIG. 5

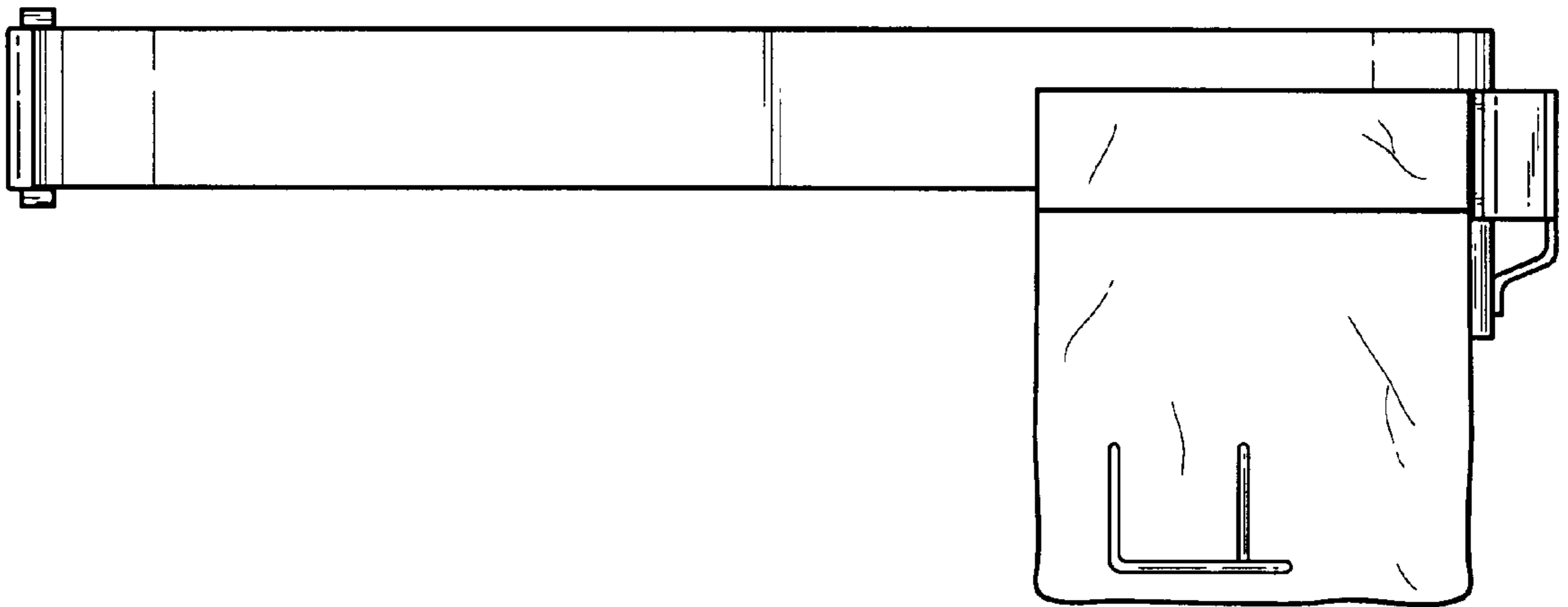


FIG. 6

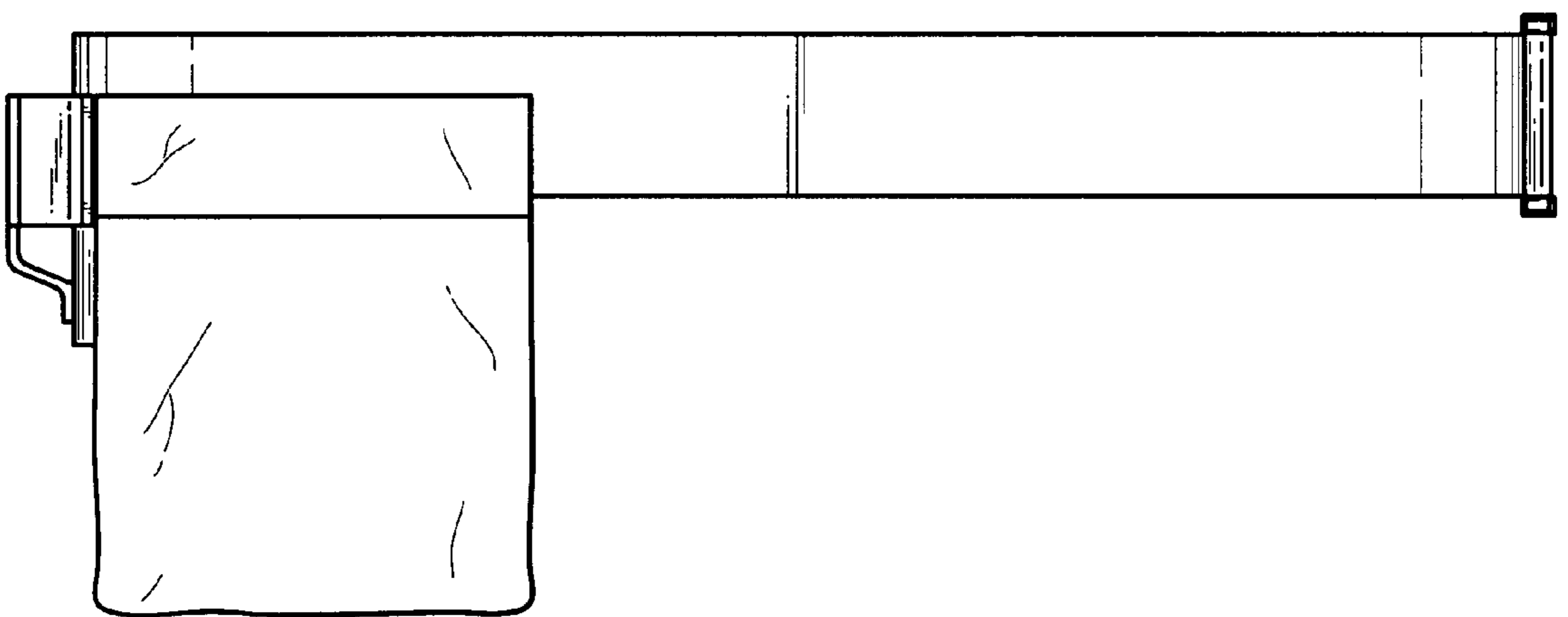


FIG. 7