



US00D433207S

United States Patent [19] Liu

[11] Patent Number: **Des. 433,207**

[45] Date of Patent: **** Oct. 31, 2000**

[54] **FLOOR JACK**

[75] Inventor: **James Liu**, Fontana, Calif.

[73] Assignee: **Larin Corporation**, Ontario, Calif.

[**] Term: **14 Years**

[21] Appl. No.: **29/113,215**

[22] Filed: **Nov. 1, 1999**

[51] **LOC (7) Cl.** **12-05**

[52] **U.S. Cl.** **D34/31**

[58] **Field of Search** D34/31, 28; 254/8 B,
254/93 H, 84.11, 2 B, DIG. 3

3,807,694	4/1974	Butorac	254/8 B
4,765,593	8/1988	Hung	254/8 B
4,850,568	7/1989	Hung	254/8 B
5,551,668	9/1996	Hung	254/8 B
5,588,639	12/1996	Holman	254/8 B X

Primary Examiner—Cynthia E Ramirez
Attorney, Agent, or Firm—Kenneth L. Sherman, Esq.;
Sherman & Sherman

[57] CLAIM

I claim the ornamental design for a floor jack, substantially as shown and described.

DESCRIPTION

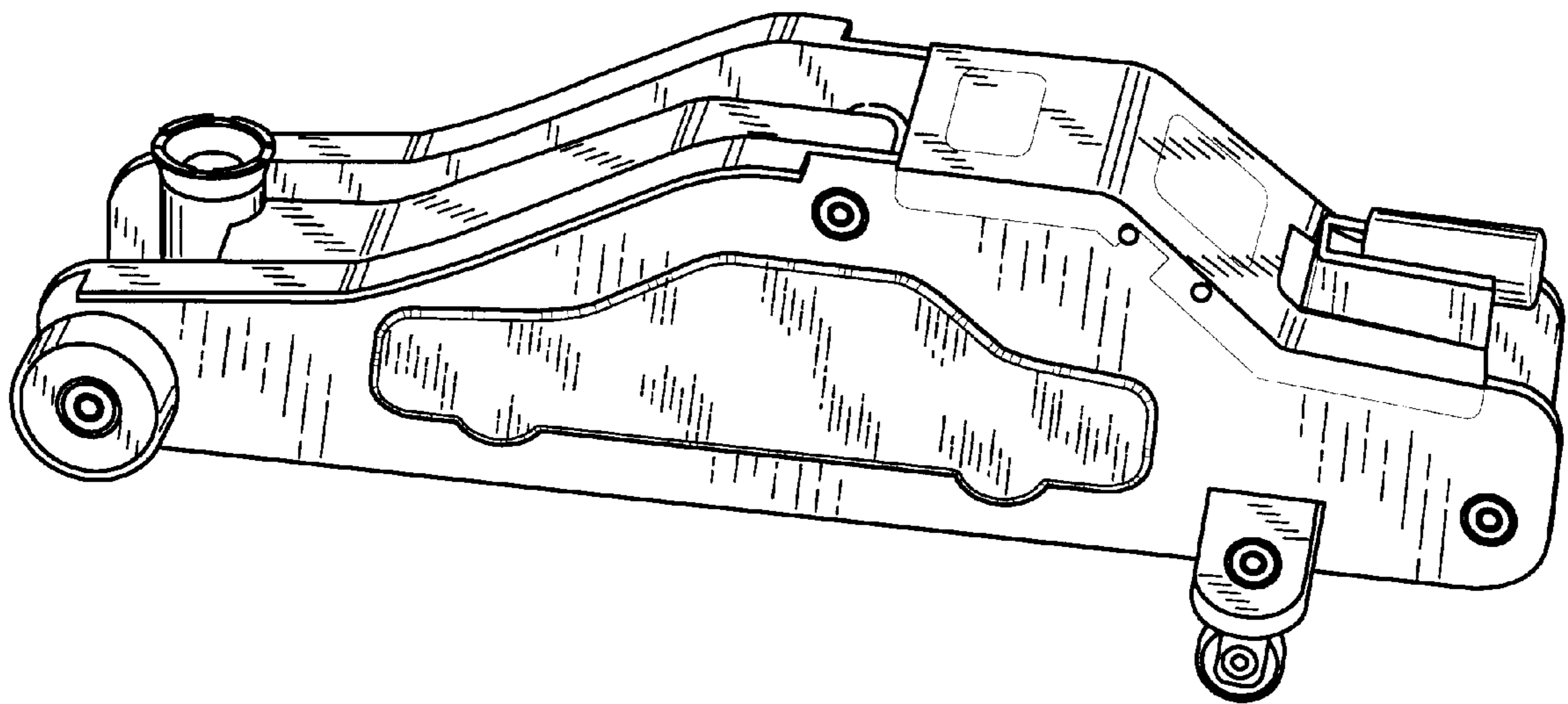
FIG. 1 is a front perspective view of the floor jack of the present invention; and
FIG. 2 is an elevational view of the invention from first side;
FIG. 3 is an elevational view of the invention from the second side;
FIG. 4 is an elevational view of the invention from a first end;
FIG. 5 is an elevational view of the invention from a second end;
FIG. 6 is a top plan view of the invention; and,
FIG. 7 is a bottom plan view of the invention.

1 Claim, 4 Drawing Sheets

[56] References Cited

U.S. PATENT DOCUMENTS

D. 109,499	5/1938	Pfauser	D34/31
D. 263,128	2/1982	Glover, Jr. et al.	D34/31
D. 296,598	7/1988	Hung	D34/31
D. 332,337	1/1993	Wang	D34/31
D. 364,026	11/1995	Hung	D34/31
D. 398,730	9/1998	Lin	D34/31
D. 416,370	11/1999	Hung	D34/31
D. 421,516	3/2000	Hung	D34/31
D. 423,750	4/2000	Hung	D34/31



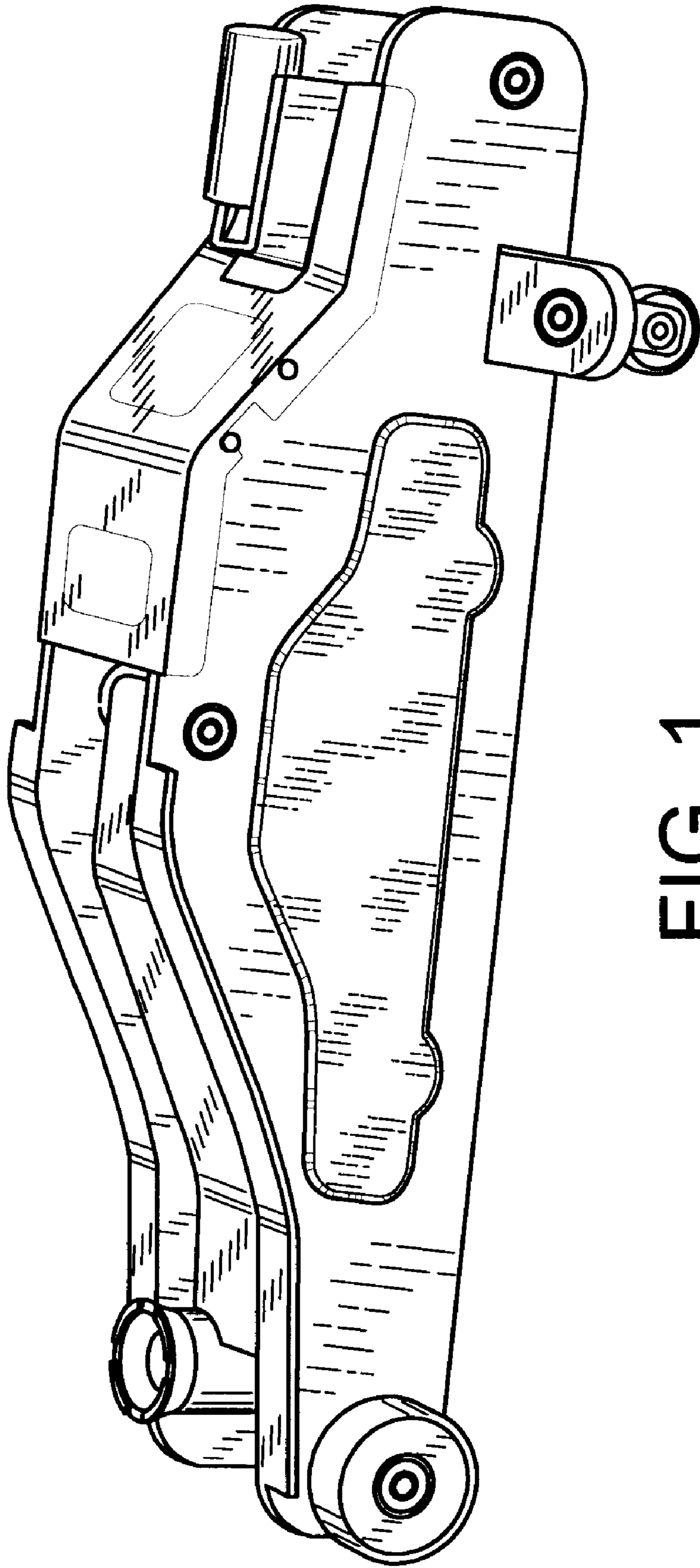


FIG. 1

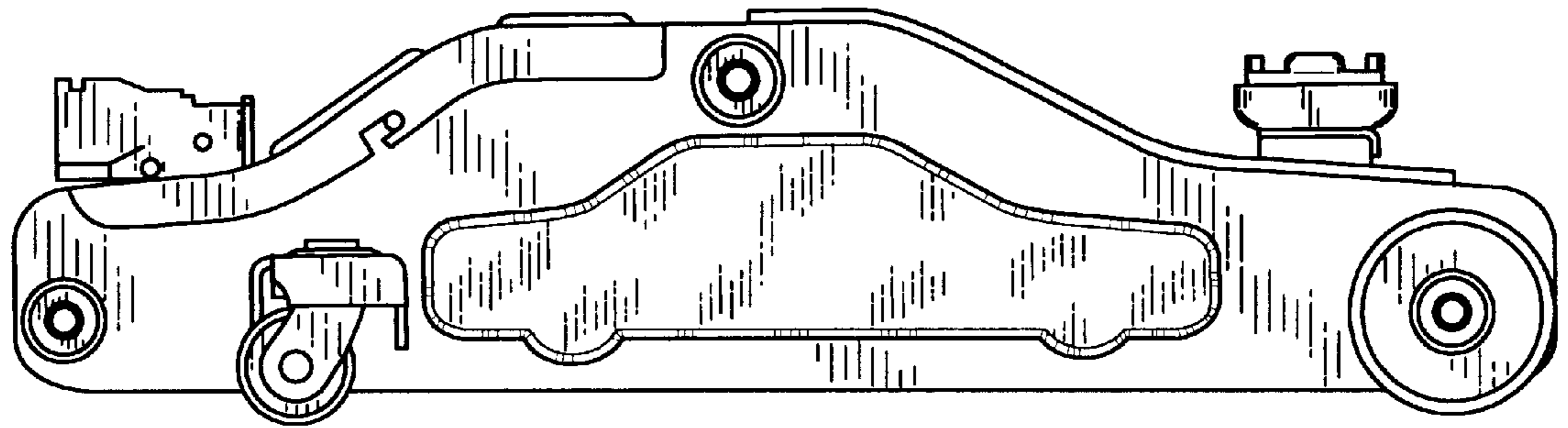


FIG. 2

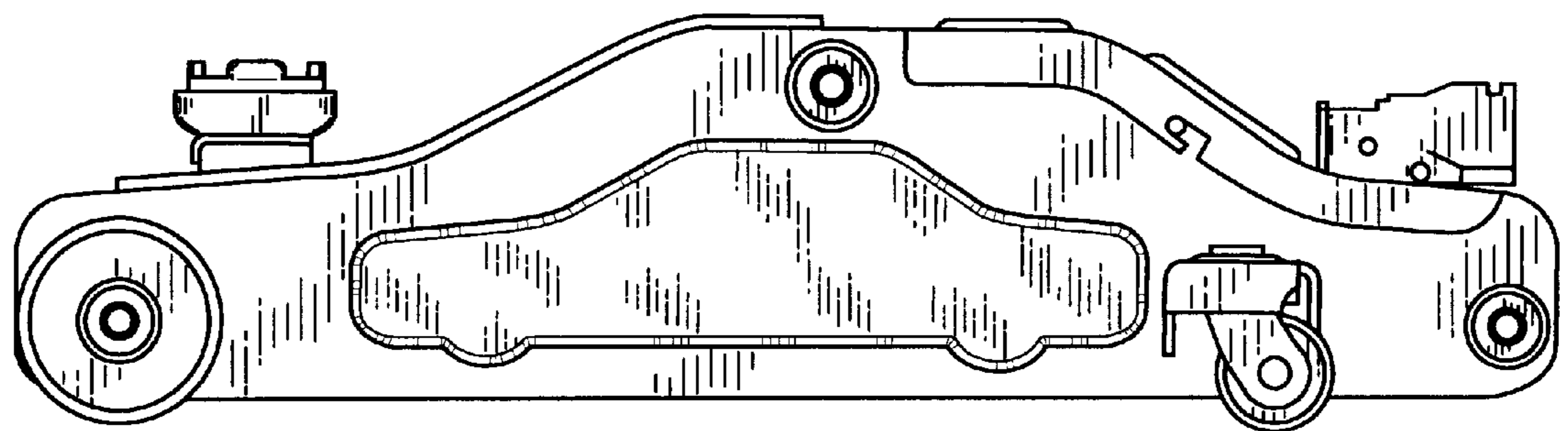


FIG. 3

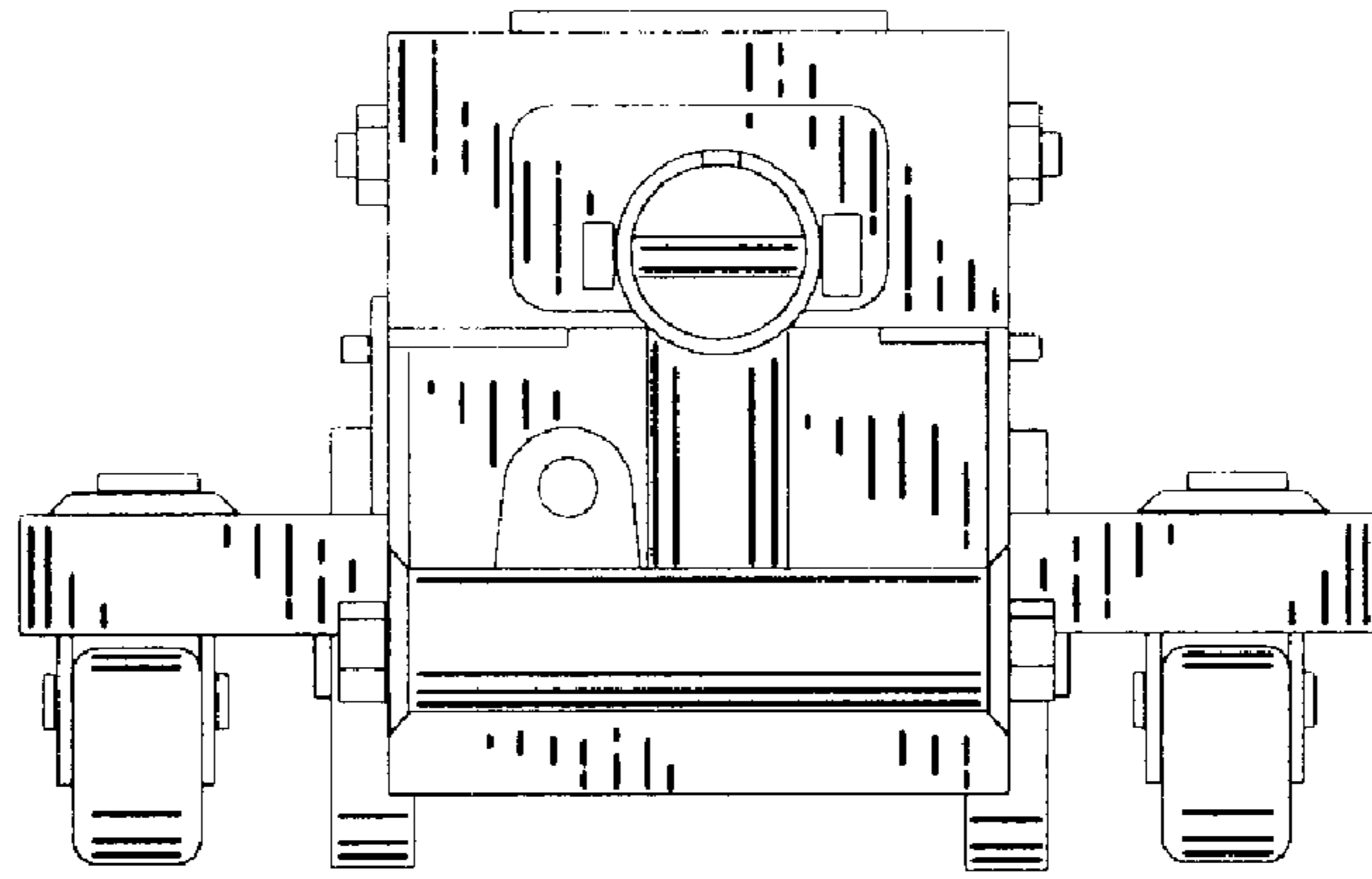


FIG. 4

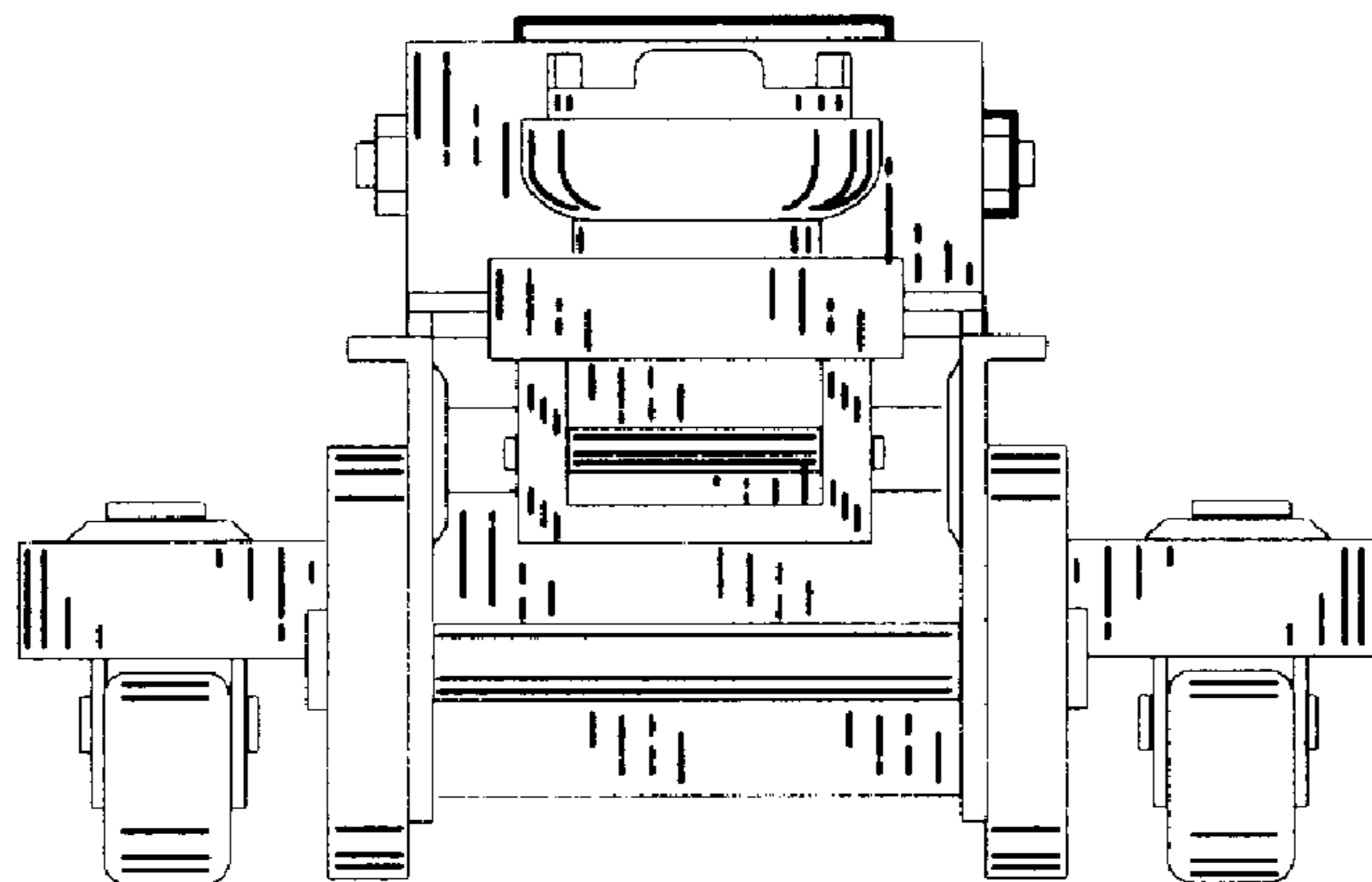


FIG. 5

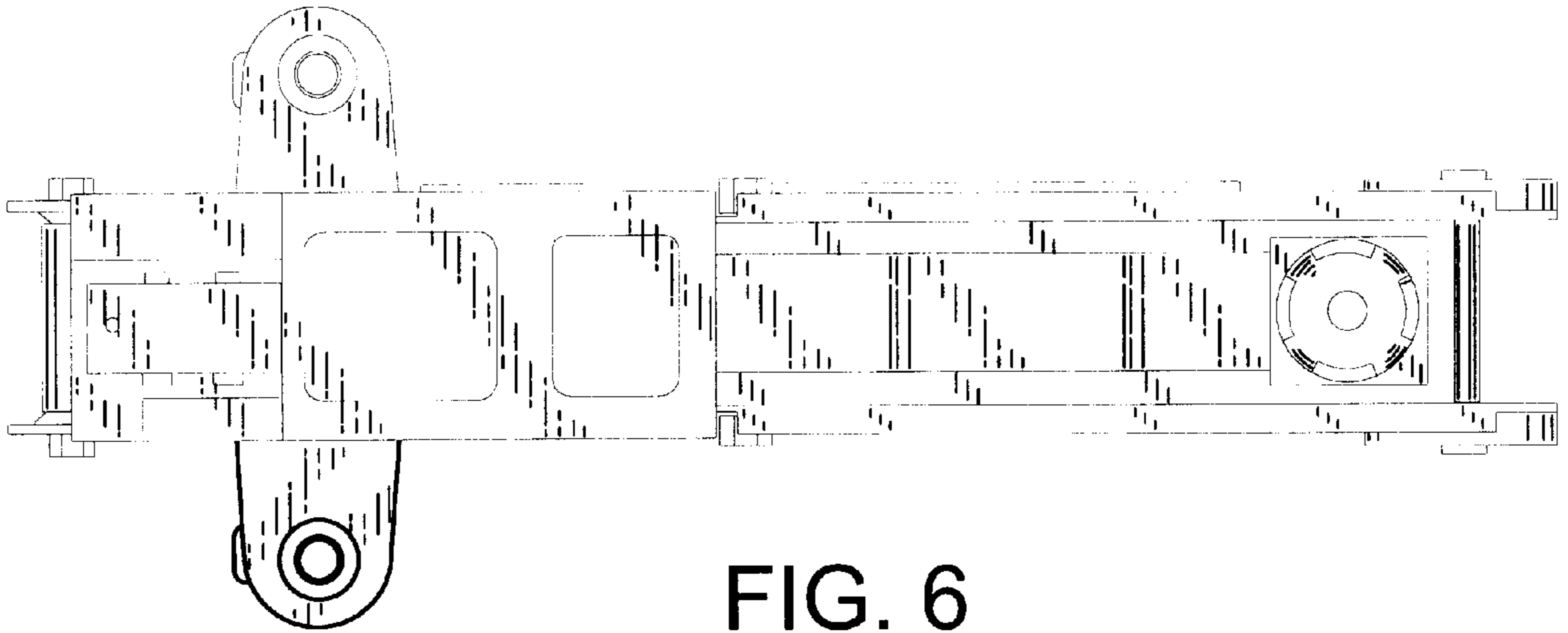


FIG. 6

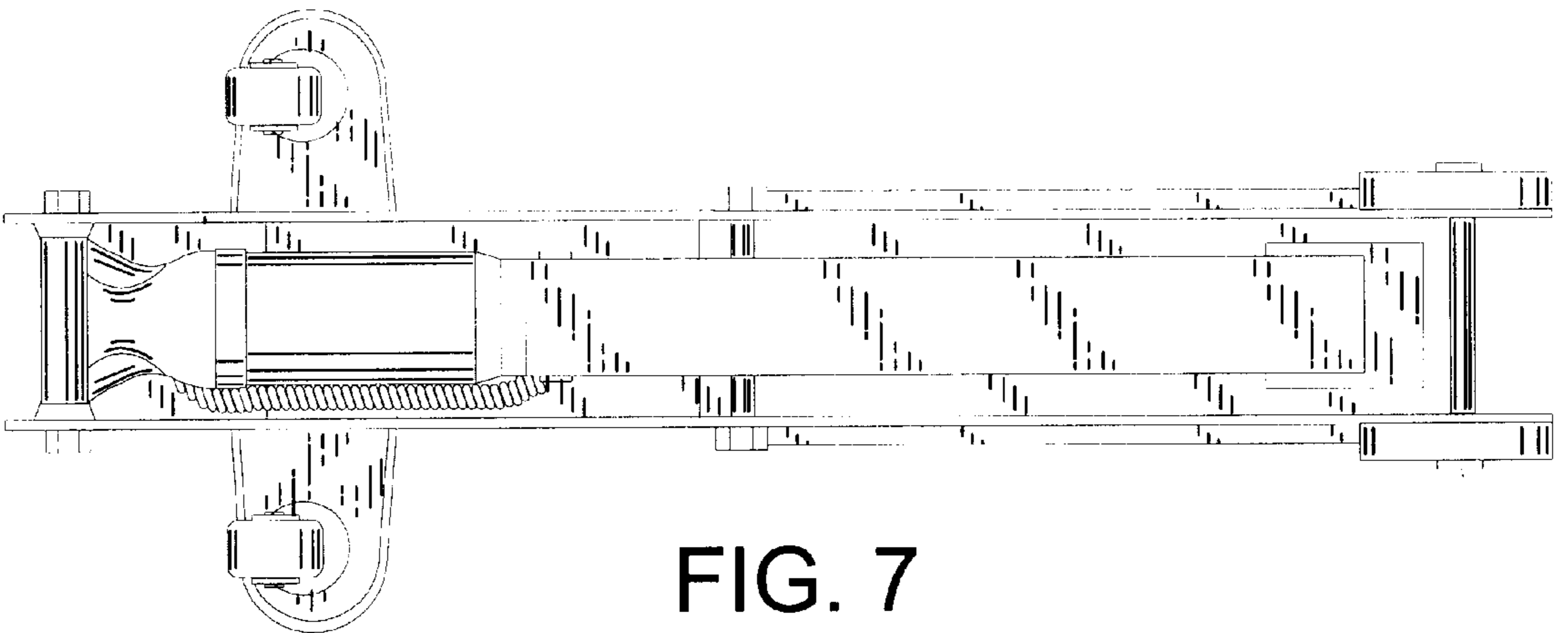


FIG. 7