



US00D433206S

United States Patent [19] Sankaran

[11] Patent Number: Des. 433,206

[45] Date of Patent: ** Oct. 31, 2000

[54] RACK

[75] Inventor: Subbiah Sankaran, San Ramon, Calif.

[73] Assignee: Alcoa Inc., Alcoa Center, Pa.

[**] Term: 14 Years

[21] Appl. No.: 29/089,336

[22] Filed: Jun. 12, 1998

[51] LOC (7) Cl. 12-05

[52] U.S. Cl. D34/28; D34/38

[58] Field of Search D34/28, 31, 29;
72/183, 129, 250; 226/92; D6/329; 211/175;
198/732, 733; 108/51.11, 901, 53.3, 54.1,
55.3, 56.1, 57.1

2,431,589 11/1947 Shuler, Jr. 108/51.11

3,315,800 4/1967 Wagner 108/901

3,444,829 5/1969 Mork 108/53.3

4,117,989 10/1978 Petros 72/250 X

4,214,467 7/1980 Sankaran 72/183

4,334,418 6/1982 Grandell 72/183 X

4,382,733 5/1983 Rodgers 108/55.3

4,680,951 7/1987 Brach 72/129

4,796,540 1/1989 Pelfrey 108/55.3

4,913,402 4/1990 Mcjunkin, Jr D34/31 X

4,978,014 12/1990 Humitz et al. 108/54.1 X

5,247,820 9/1993 Panaccione 72/250

5,743,127 4/1998 Takeda et al. 72/250

5,810,186 9/1998 Lam 108/56.1

5,842,424 12/1998 Prevot et al. 108/54.1

5,860,311 1/1999 Donini et al. 72/250

5,931,435 8/1999 Hoadley et al. 108/55.3 X

[56] **References Cited**

U.S. PATENT DOCUMENTS

D. 133,553 8/1942 Shreffler D34/31

D. 181,439 11/1957 Petersen D34/29

224,839 2/1880 Morgan et al. 72/183

D. 363,915 11/1995 Wems D34/28

D. 375,602 11/1996 Henthorn et al. D34/28

D. 379,017 4/1997 Chapman D34/28

D. 383,584 9/1997 Hestehave et al. D34/28

950,036 2/1910 York 72/183

Primary Examiner—Cynthia E Ramirez
Attorney, Agent, or Firm—Rockey, Milnamow & Katz, Ltd.

[57] **CLAIM**

The ornamental design for a rack, as shown.

DESCRIPTION

FIG. 1 is a perspective view of the rack;
FIG. 2 is a front view of the rack; and,
FIG. 3 is a side view of the rack.

1 Claim, 1 Drawing Sheet

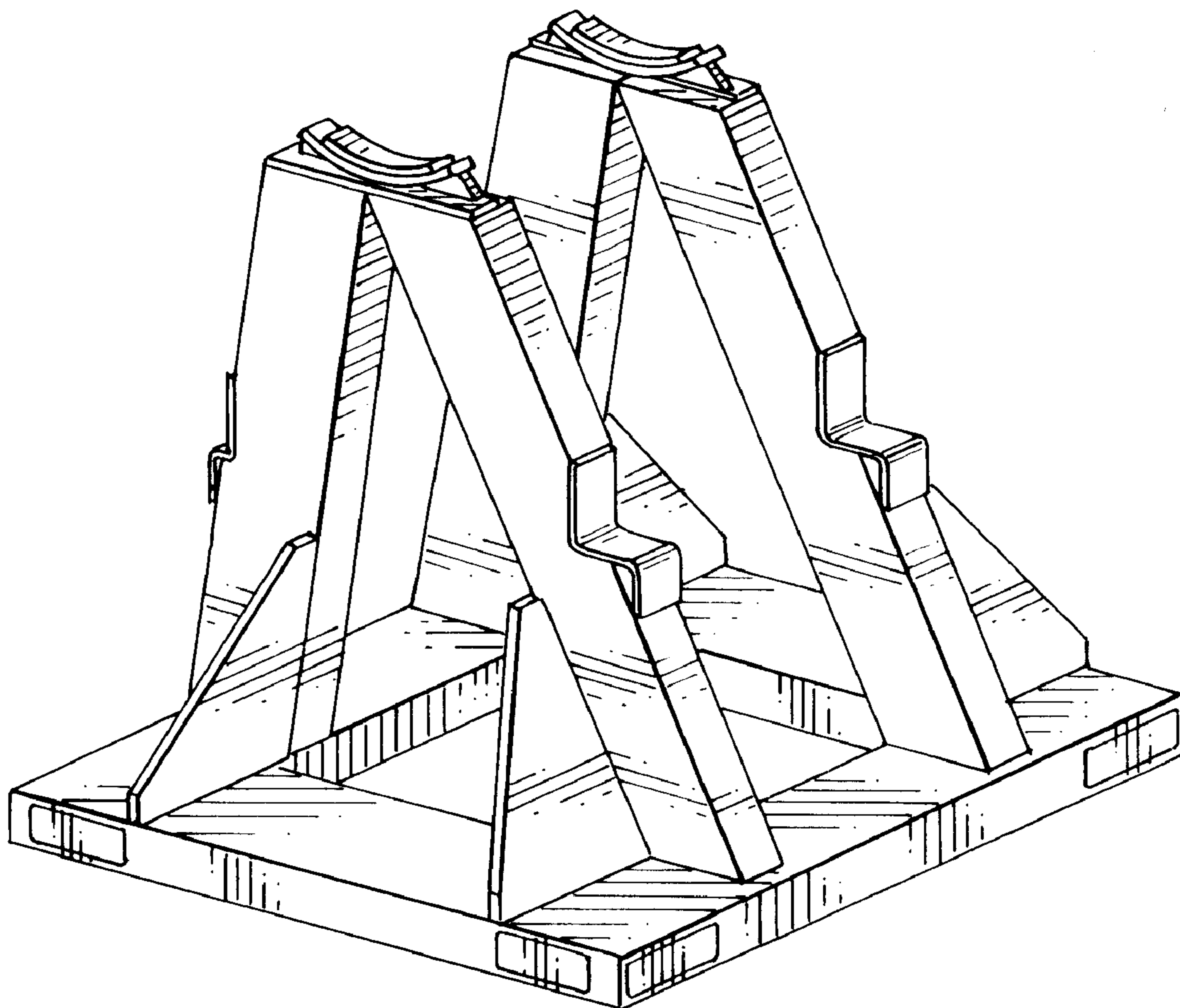


FIG. 1

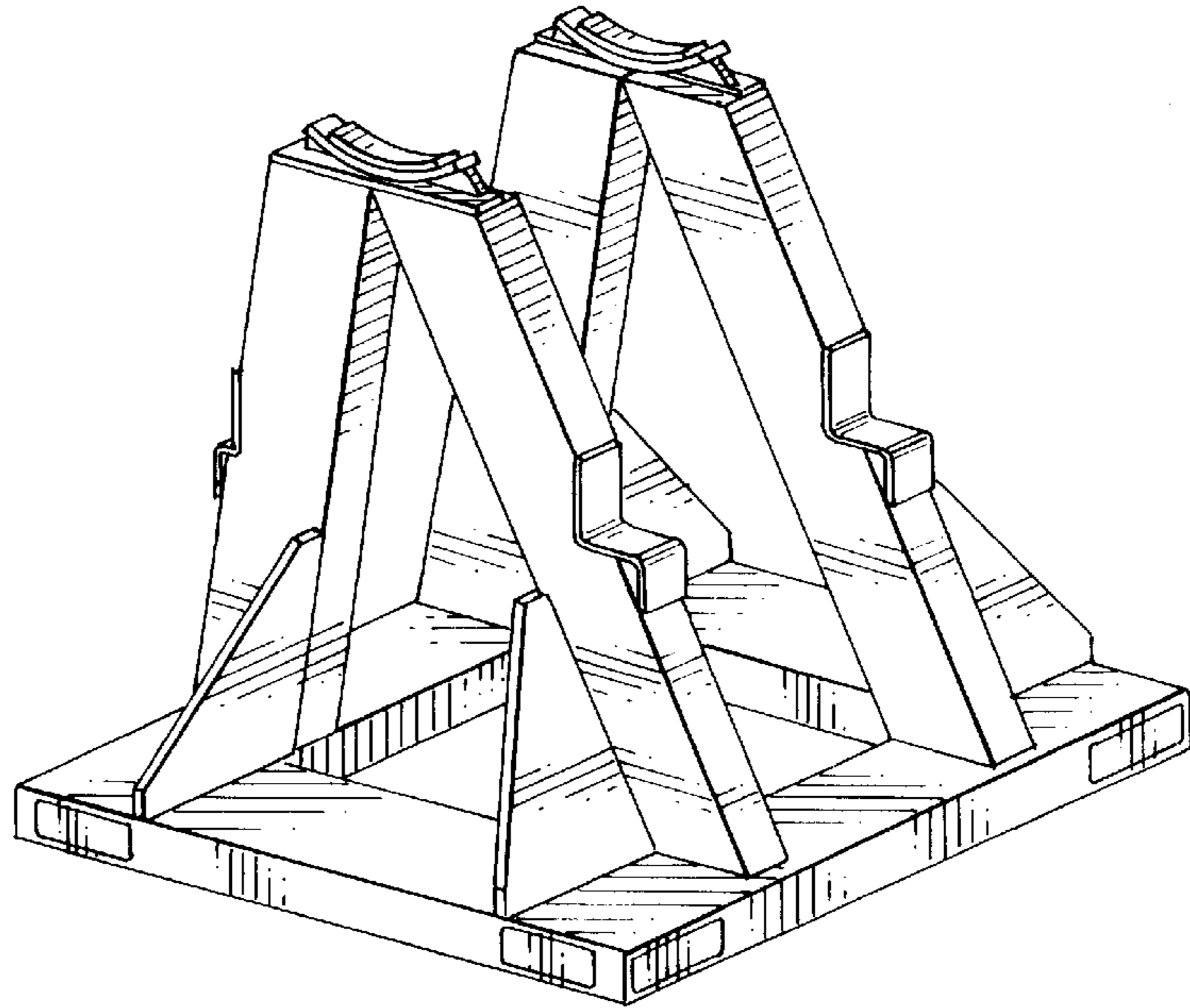


FIG. 2

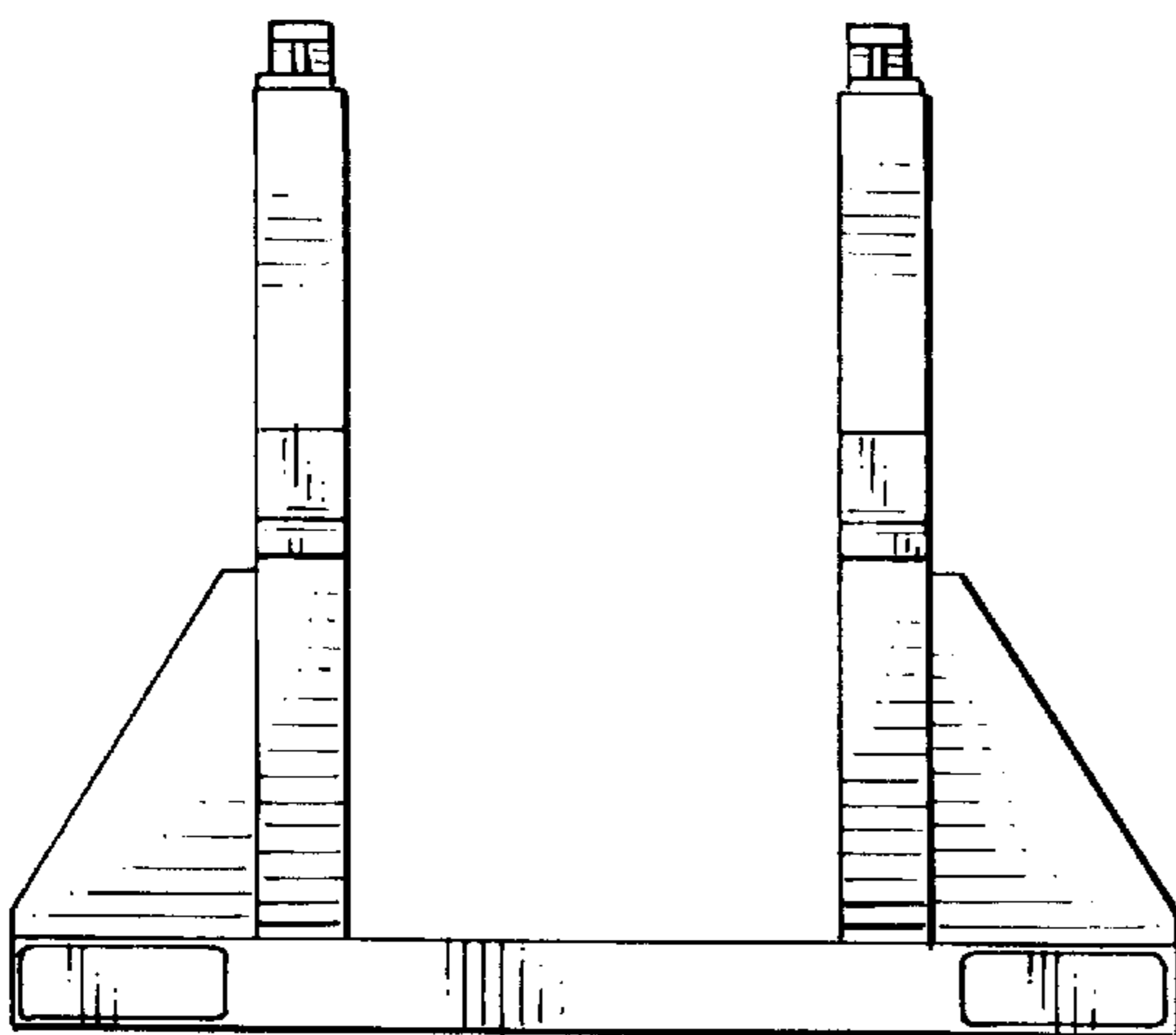


FIG. 3

