



US00D433204S

# United States Patent [19] Gardner, Jr.

[11] **Patent Number: Des. 433,204**

[45] **Date of Patent: \*\* Oct. 31, 2000**

[54] **BOOT DRYER/WARMER**  
[76] Inventor: **Robert L. Gardner, Jr.**, 4364 Catawba Dr., Gulf Breeze, Fla. 32561

4,967,060 10/1990 Lomeli ..... 392/384  
5,222,308 6/1993 Barker ..... 34/104  
5,287,636 2/1994 Lafleur et al. .... 34/104

[\*\*] Term: **14 Years**

### FOREIGN PATENT DOCUMENTS

WO 96/24019 8/1996 WIPO .

[21] Appl. No.: **29/118,777**  
[22] Filed: **Feb. 15, 2000**

*Primary Examiner*—Robin V. Taylor  
*Attorney, Agent, or Firm*—Rudolf O. Siegesmund

[51] **LOC (7) Cl.** ..... **07-05**  
[52] **U.S. Cl.** ..... **D32/58**  
[58] **Field of Search** ..... D32/55, 56, 58;  
34/104, 437, 440; 211/34, 37; 36/2.6

[57] **CLAIM**  
The ornamental design for the boot dryer/warmer, as shown and described.

### [56] **References Cited** U.S. PATENT DOCUMENTS

### DESCRIPTION

- D. 310,742 9/1990 Johnson ..... D32/58
- D. 347,094 5/1994 Christensen ..... D32/58
- D. 412,231 7/1999 Williams et al. .... D32/58
- 2,076,735 4/1937 Leindorf ..... 34/26
- 3,645,009 2/1972 Ketchum ..... 34/104
- 4,265,030 5/1981 Smallegan ..... 34/104

FIG. 1 is a left side view showing my design;  
FIG. 2 is a front view thereof;  
FIG. 3 is a rear view thereof;  
FIG. 4 is a top plan view thereof;  
FIG. 5 is a bottom plan view thereof; and,  
FIG. 6 is a left side perspective view thereof.

**1 Claim, 3 Drawing Sheets**

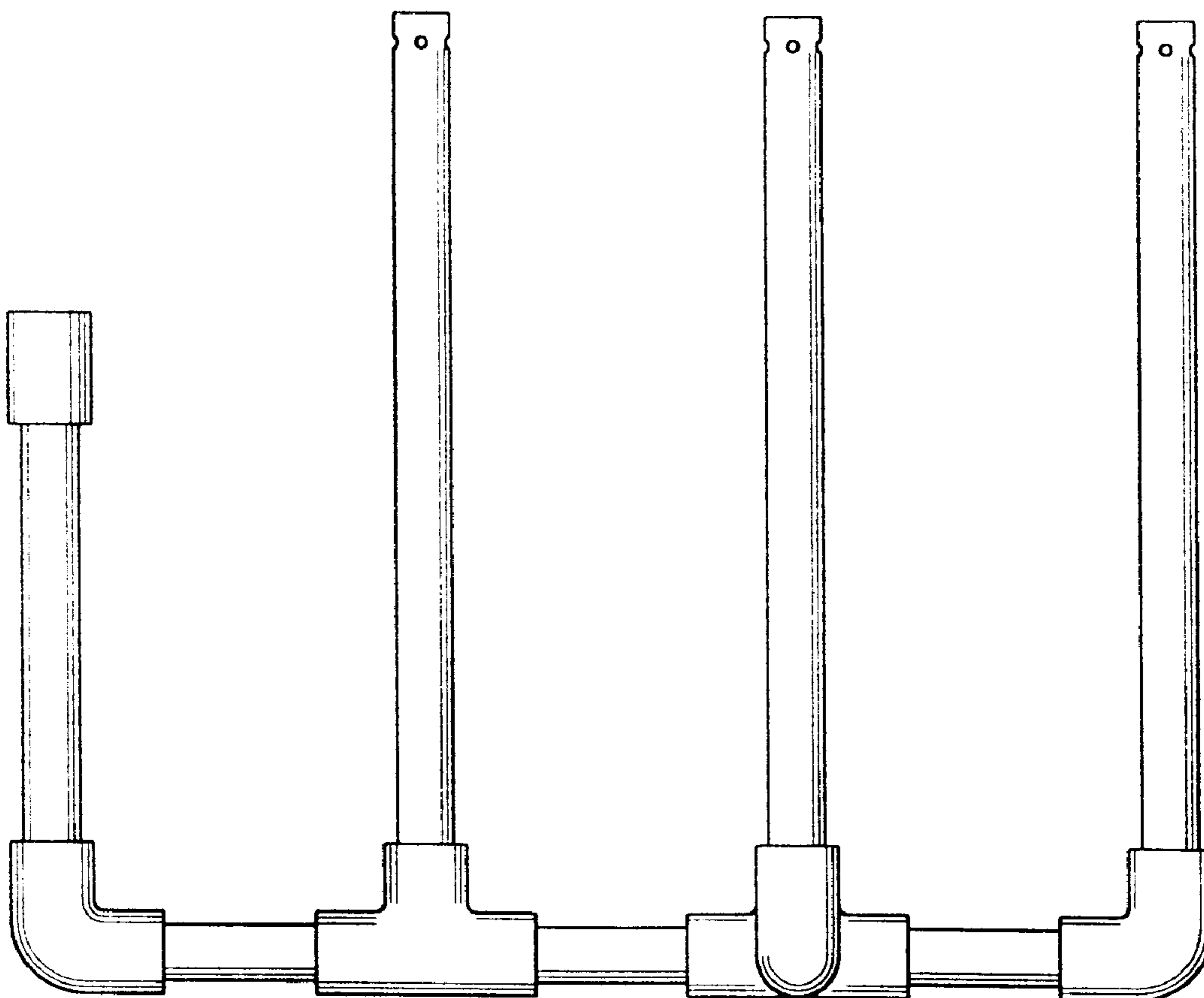


FIG. 1

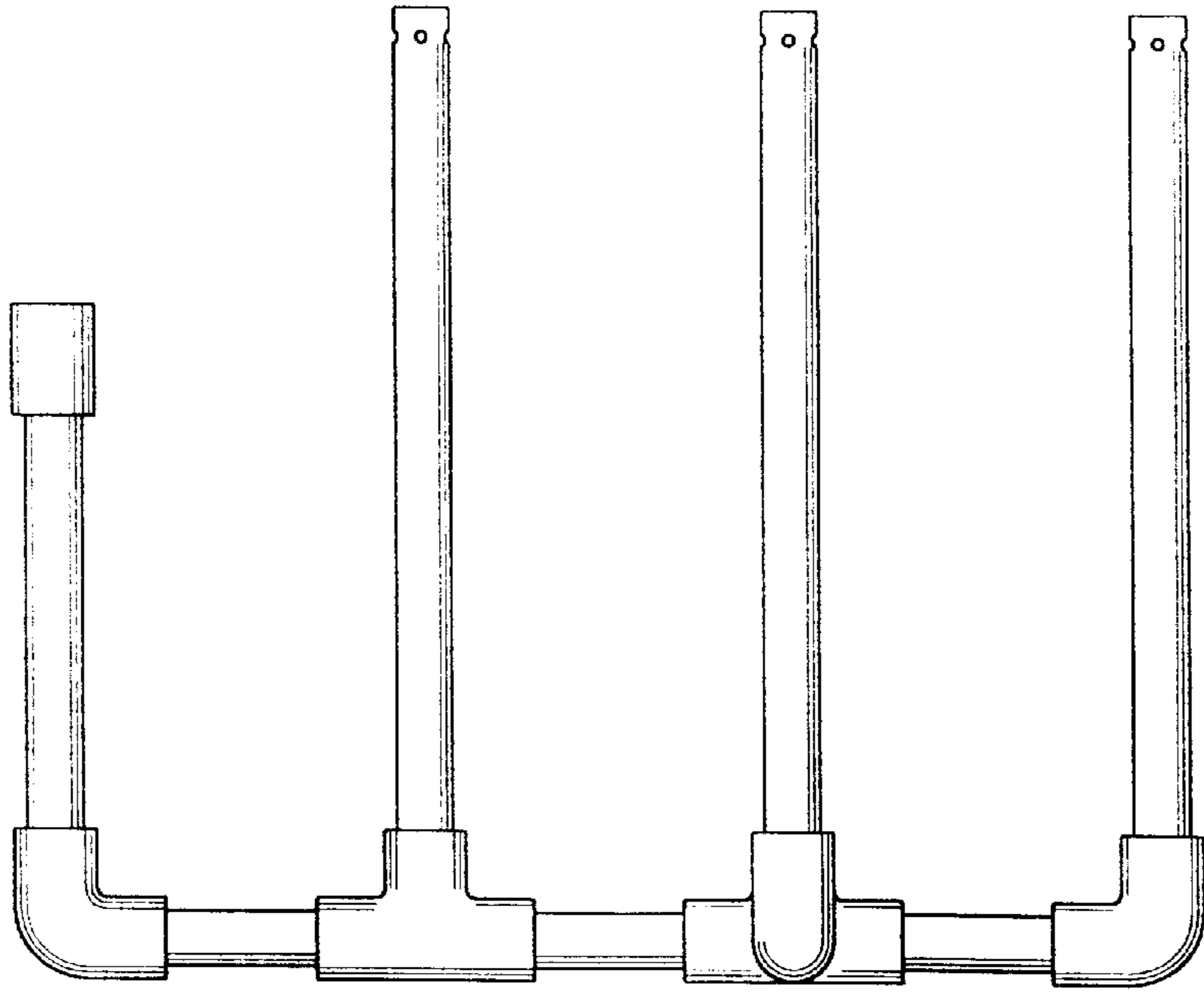


FIG. 6

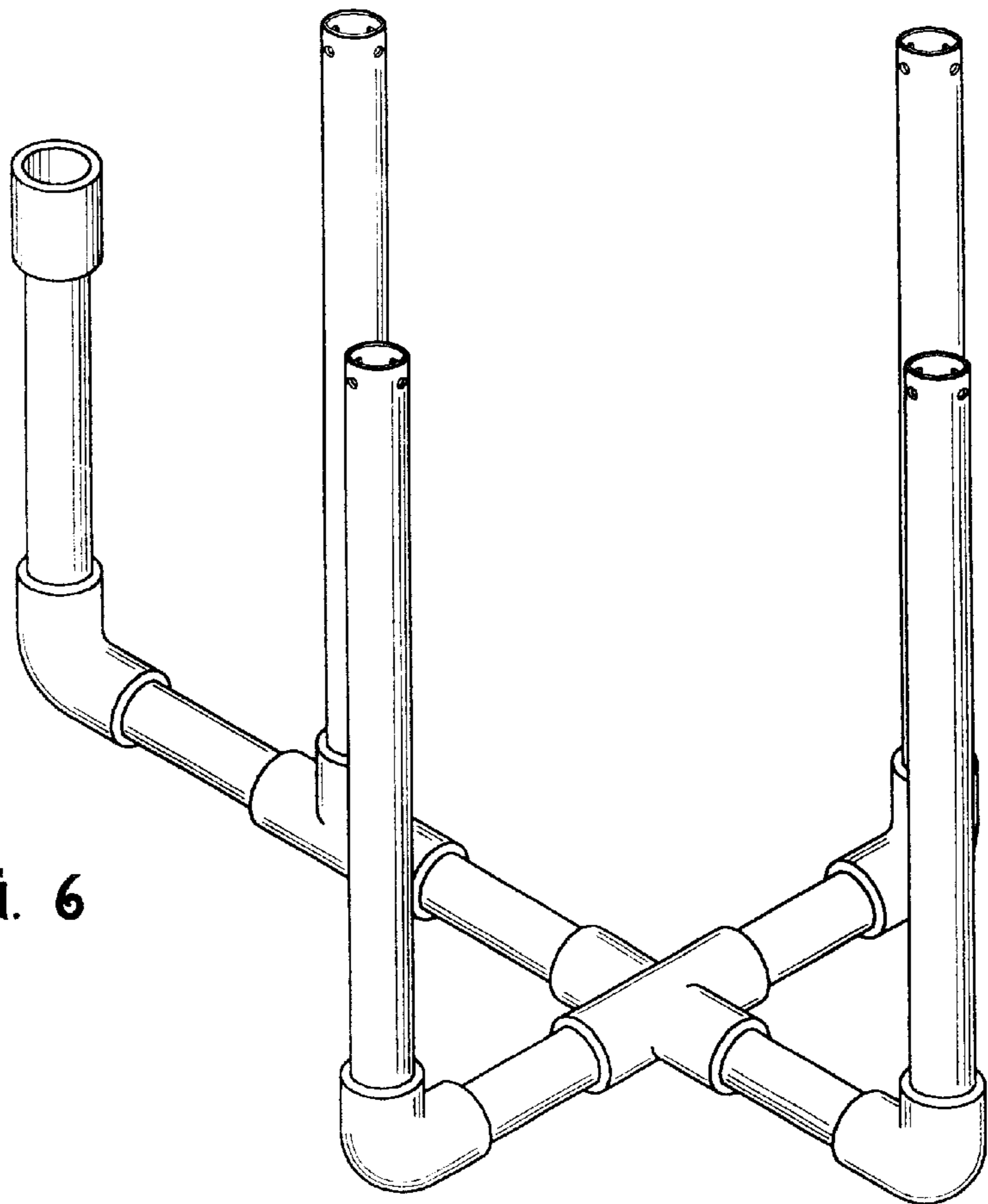


FIG. 2

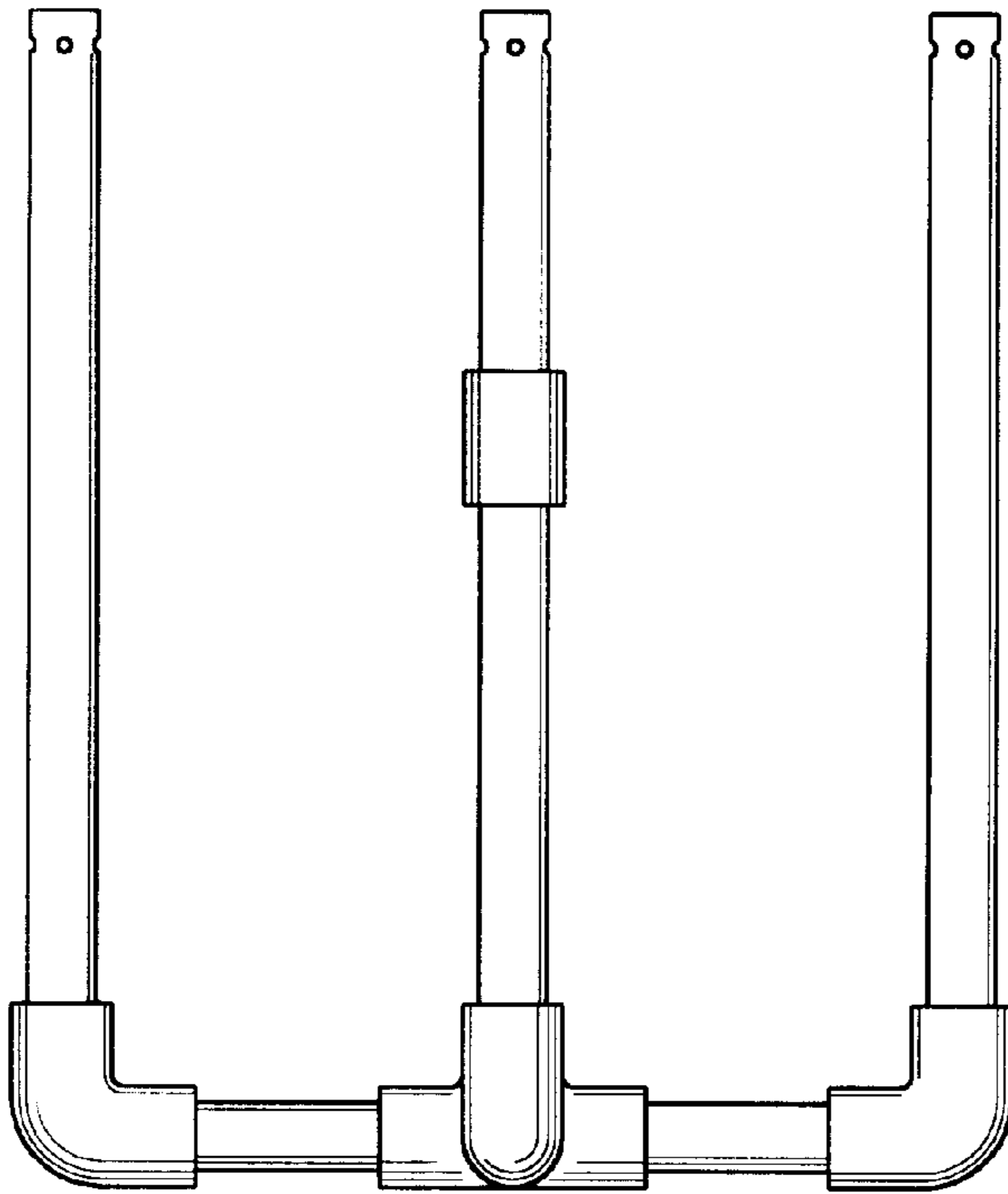


FIG. 3

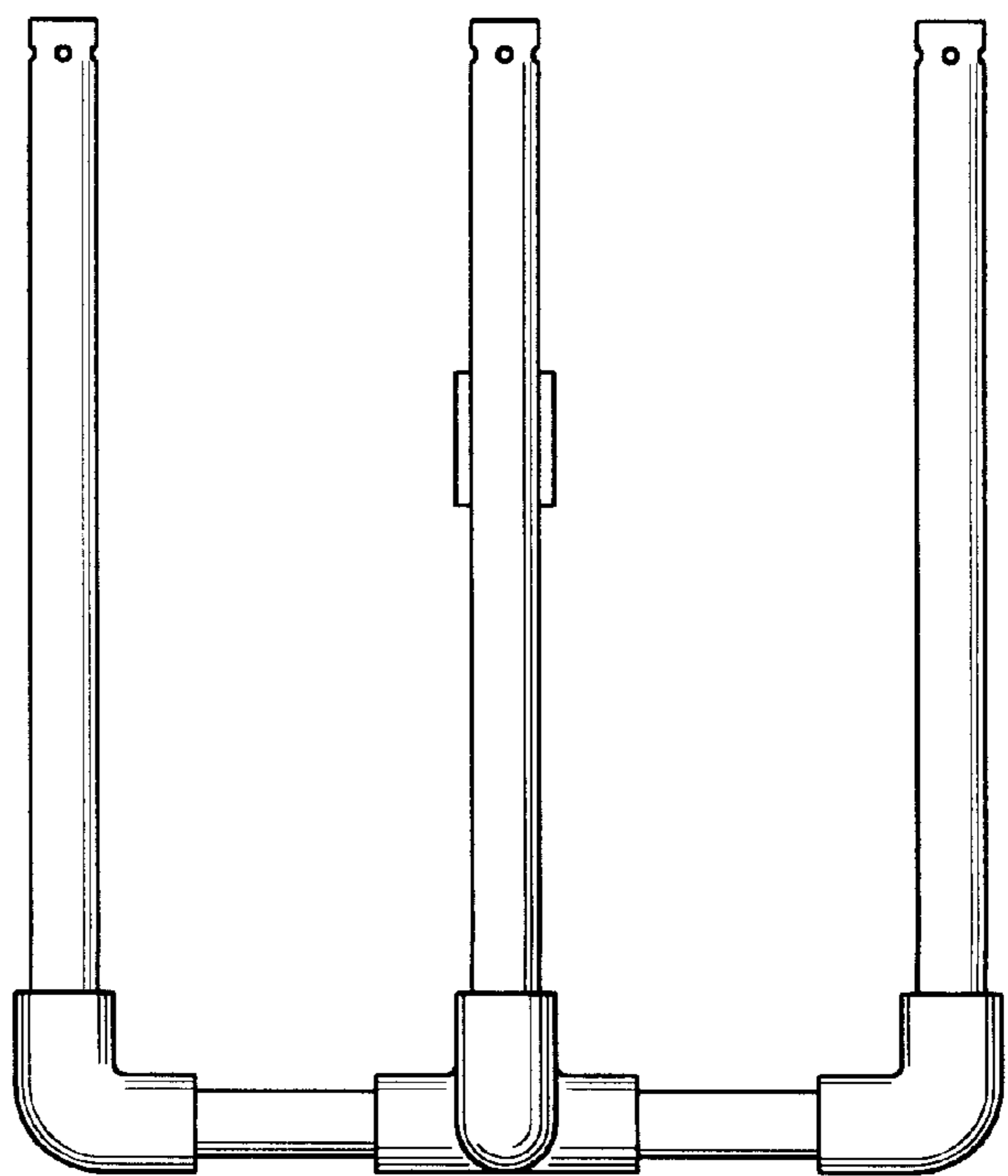


FIG. 4

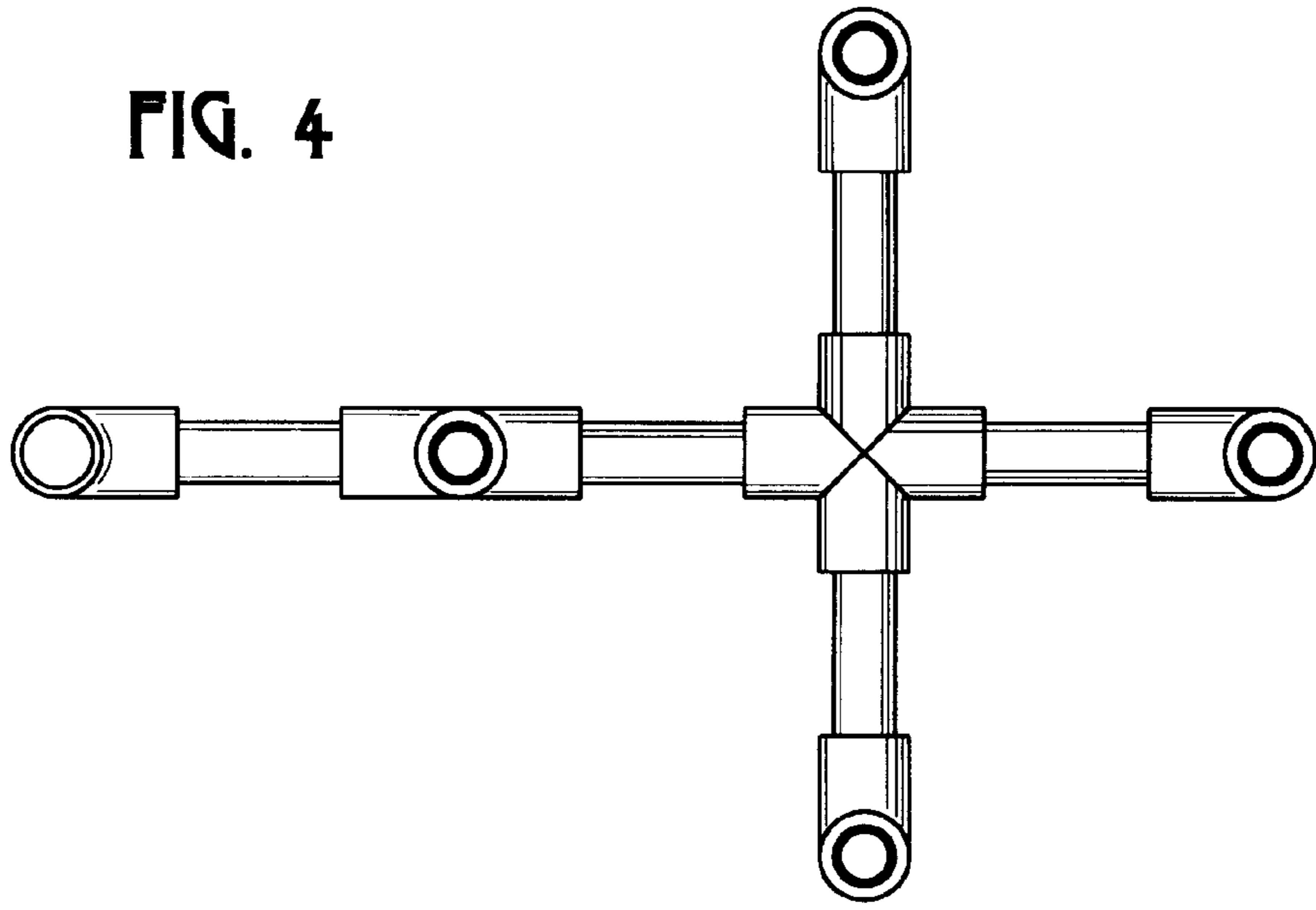


FIG. 5

