



US00D433203S

United States Patent [19] Hill

[11] **Patent Number: Des. 433,203**

[45] **Date of Patent: ** Oct. 31, 2000**

[54] **EXTENDED LIQUID APPLICATOR**

[76] Inventor: **Cherita Hill**, 16764 S. Head Ave.,
Hazelcrest, Ill. 60429

[**] Term: **14 Years**

[21] Appl. No.: **29/110,913**

[22] Filed: **Sep. 16, 1999**

[51] **LOC (7) Cl. 08-05**

[52] **U.S. Cl. D32/45; D28/7; D28/63**

[58] **Field of Search** D28/7, 63; D32/40,
D32/45, 51; 401/6, 153, 139, 196, 205,
207, 261, 263, 266; D4/114, 137, 138;
15/209.1, 220.1, 244.1, 244.2, 244.3, 143.1,
144.1, 144.2

[56] **References Cited**

U.S. PATENT DOCUMENTS

D. 308,733	6/1990	Damians	D28/7
D. 369,882	5/1996	McCarthy	.	
540,972	6/1895	Gale	15/220.1
1,753,947	4/1930	Shapiro	15/220.1 X
3,769,651	11/1973	Sunskes	15/220.1 X
4,078,865	3/1978	Moser	.	
4,861,180	8/1989	Adams	.	

5,240,339	8/1993	De Forest et al.	.	
5,425,591	6/1995	Contreras et al.	401/153 X
5,592,713	1/1997	Rones	.	
5,664,281	9/1997	Pelfrey	.	

Primary Examiner—Alan P. Douglas
Assistant Examiner—Lavone Tabor

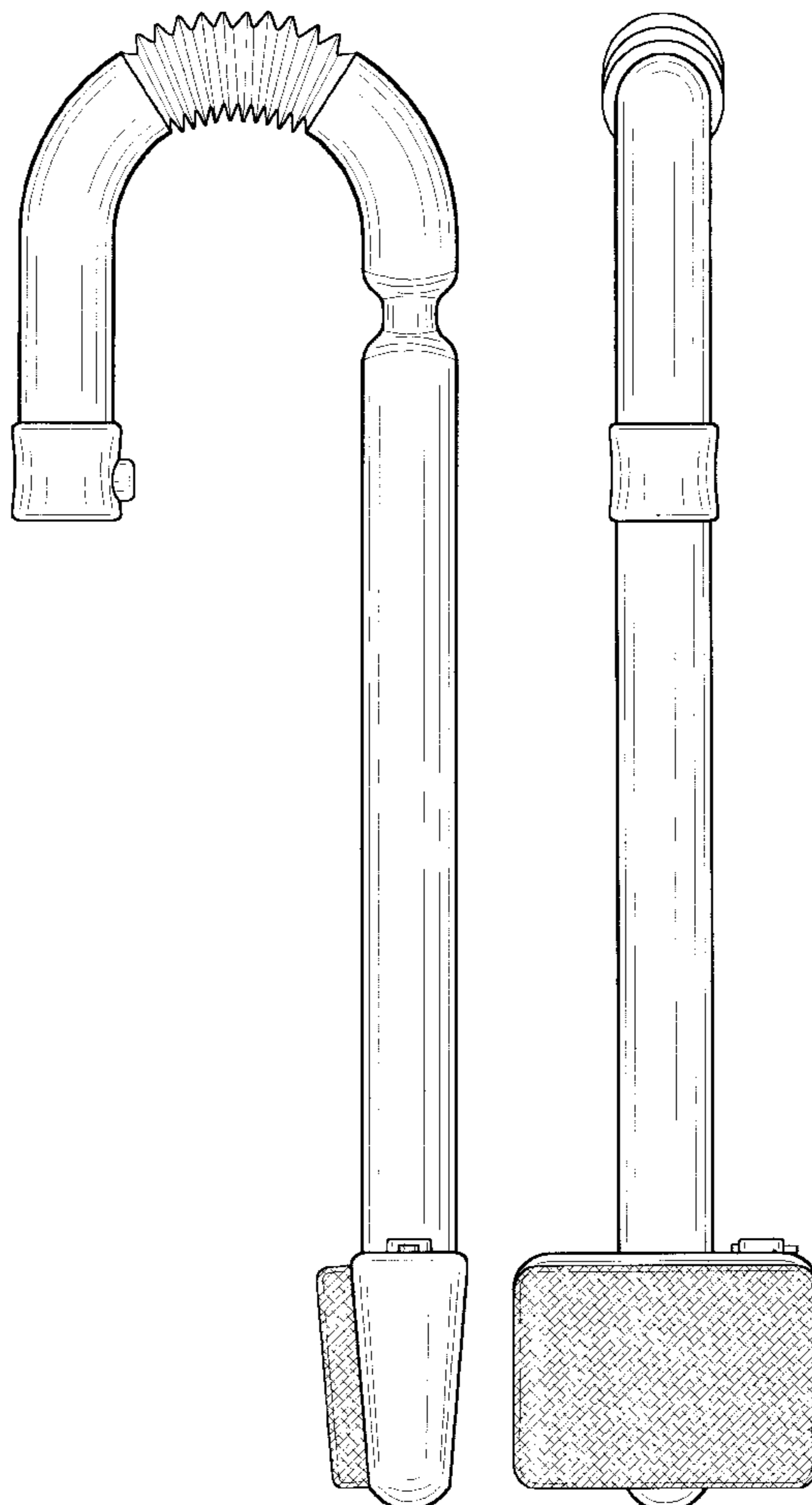
[57] **CLAIM**

The ornamental design for a extended liquid applicator, as shown and described.

DESCRIPTION

FIG. 1 is a right side elevational view of the extended liquid applicator of the present invention;
FIG. 2 is a left side elevational view of the extended liquid applicator of FIG. 1;
FIG. 3 is a front elevational view of the extended liquid applicator of FIG. 1;
FIG. 4 is a rear elevational view of the extended liquid applicator of FIG. 1;
FIG. 5 is a top plan view of the extended liquid applicator of FIG. 1; and,
FIG. 6 is a bottom plan view of the extended liquid applicator of FIG. 1.

1 Claim, 2 Drawing Sheets



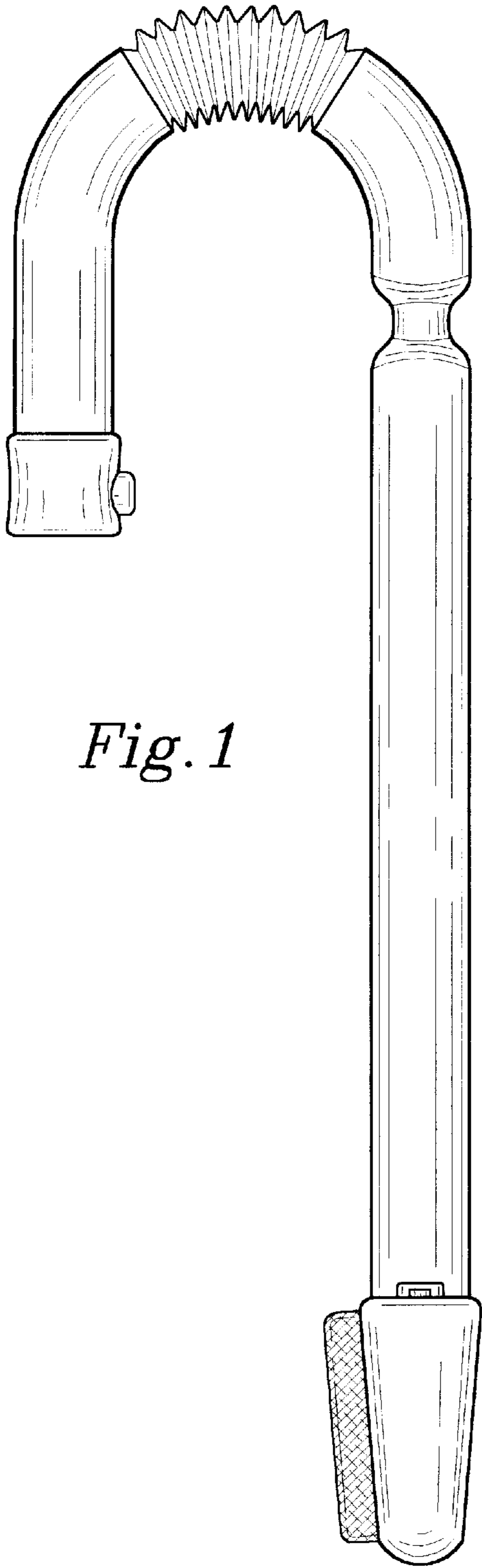


Fig. 1

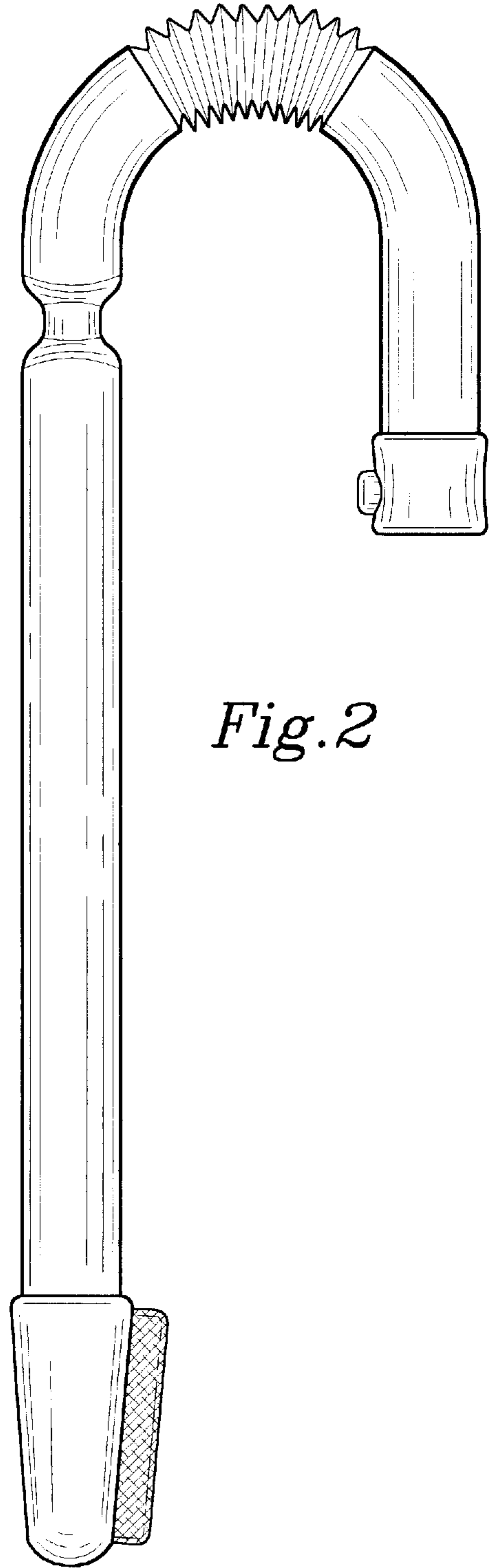


Fig. 2

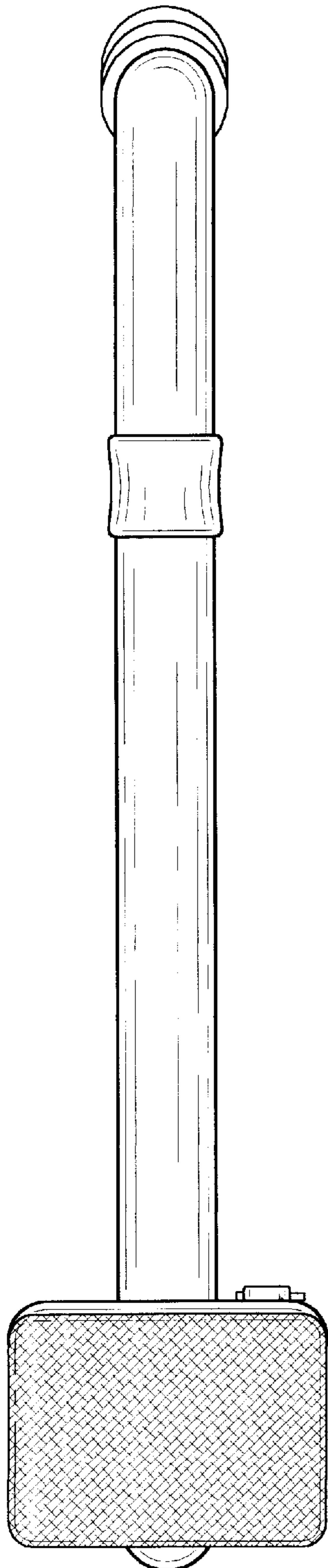


Fig. 3

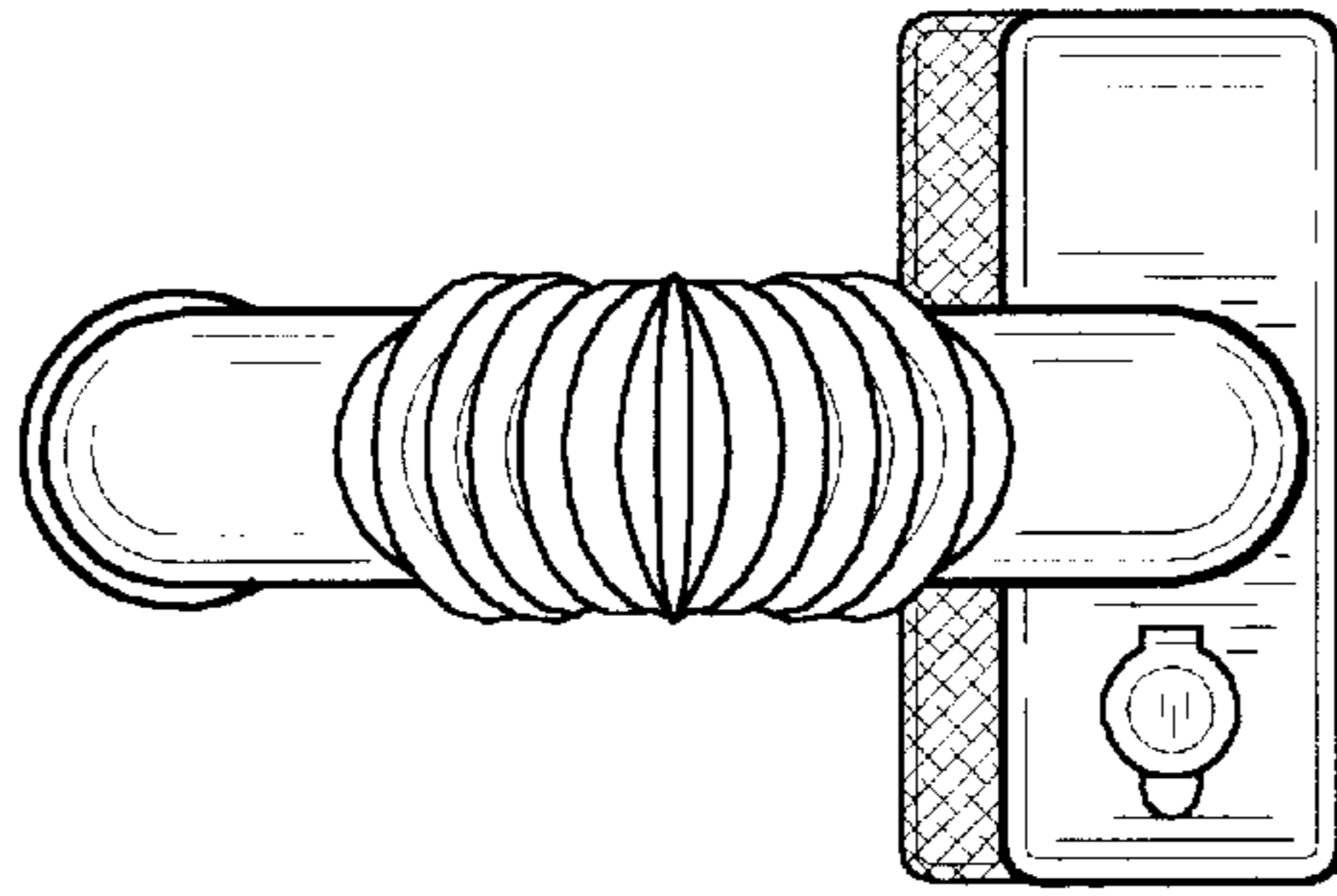


Fig. 5

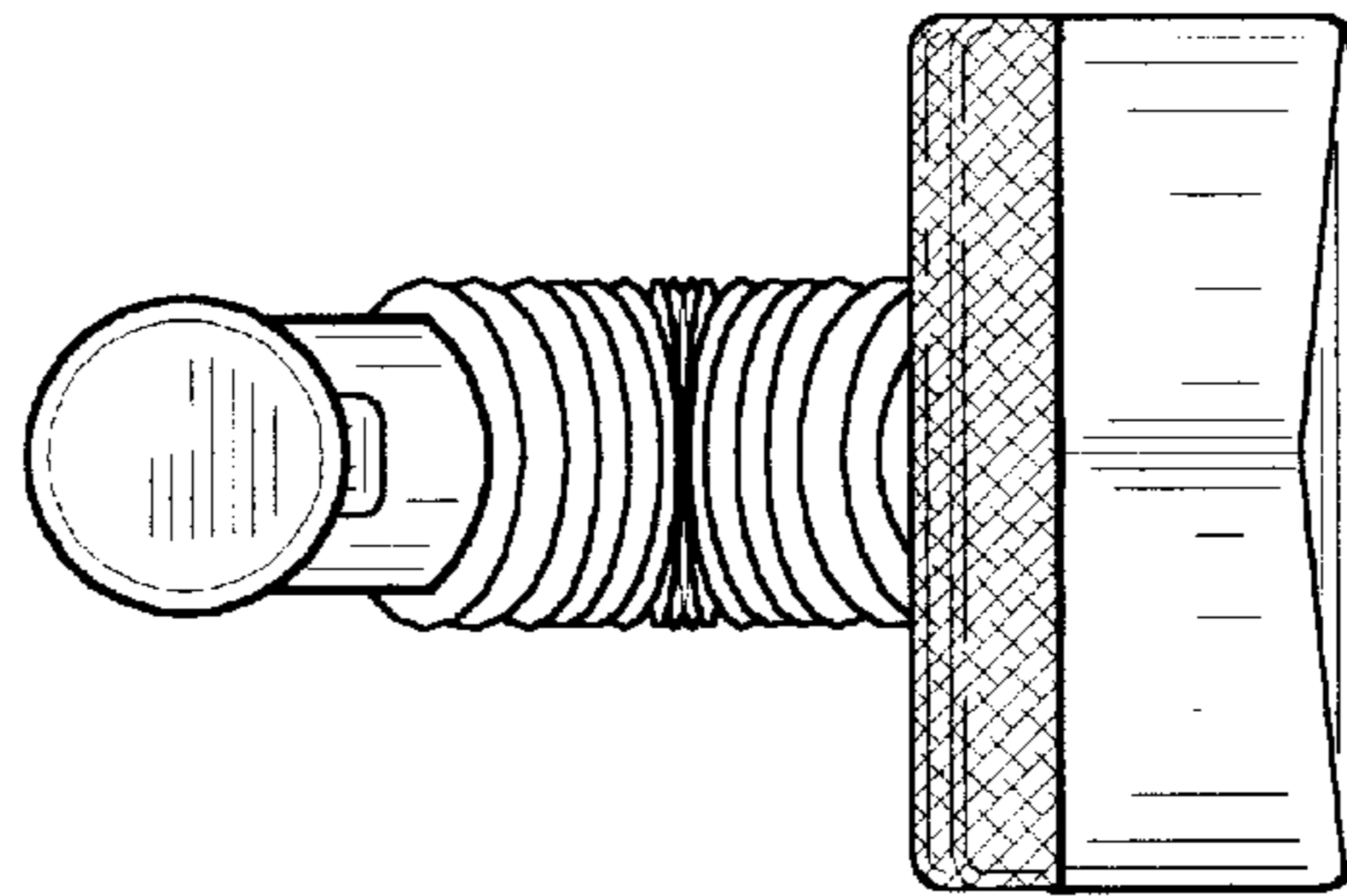


Fig. 6

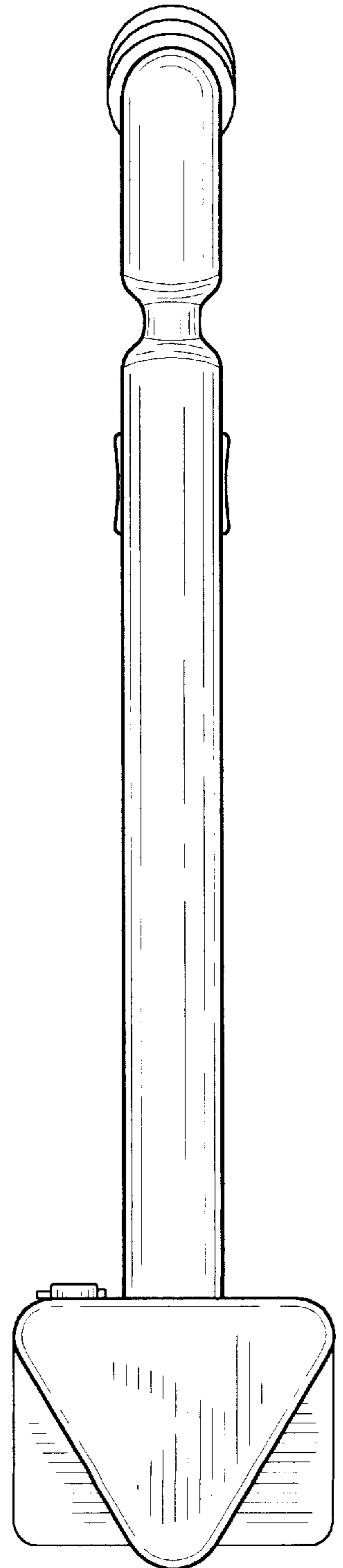


Fig. 4