



US00D433196S

United States Patent [19] Specht

[11] Patent Number: Des. 433,196

[45] Date of Patent: ** Oct. 31, 2000

[54] **POCKETED POTHOLDER WITH
MAGNETIC ATTACHMENT**

[76] Inventor: **Leta J Specht**, 19975 SW. Rosa Rd., Aloha, Oreg. 97007

[**] Term: **14 Years**

[21] Appl. No.: **29/109,983**

[22] Filed: **Aug. 26, 1999**

[51] **LOC (7) Cl.** **06-13**

[52] **U.S. Cl.** **D29/119**

[58] **Field of Search** D29/118, 119,
D29/122, 123, 113; D2/622-623, 613, 615;
2/158, 161.6, 16, 20; 294/25, 27.1, 33;
5/417-420

[56] **References Cited**

U.S. PATENT DOCUMENTS

D. 233,114	10/1974	Noyes	D29/119
D. 303,725	9/1989	Rojko et al.	D29/113 X
D. 388,553	12/1997	Sapin	D29/119
1,495,389	5/1924	Heimerl et al.	2/158 X
2,552,177	5/1951	Hurt	2/24
2,690,661	10/1954	Briggs	D2/622
2,695,999	12/1954	Arnold	D2/622
3,103,029	9/1963	Valles	D29/118
4,263,677	4/1981	Menser	2/158

OTHER PUBLICATIONS

Copy from a "Miles Kimball" catalog describing "Mini Micro Mitts". Dated Christmas 1999, p. 167. Miles Kimball, 41 West 8th Ave., Oshkosh, WI 54906.

Primary Examiner—Louis S. Zarfes

Assistant Examiner—Robert A. Delehanty

[57] **CLAIM**

The ornamental design for a pocketed potholder with magnetic attachment, as shown and described.

DESCRIPTION

FIG. 1 is a front elevational view of the pocketed potholder with magnetic attachment of the present invention;

FIG. 2 is a rear elevational view of the pocketed potholder with magnetic attachment of FIG. 1;

FIG. 3 is a left side elevational view of the pocketed potholder with magnetic attachment of FIG. 1, the right view being a mirror image thereof;

FIG. 4 is a bottom plan view of the pocketed potholder with magnetic attachment of FIG. 1, the top view being a mirror image thereof; and,

FIG. 5 is a top front view of the pocketed potholder with magnetic attachment of FIG. 1 in an alternate position.

The fragmentary criss-cross pattern shown in the drawing is understood to represent fabric and is repeated uniformly throughout the areas shown.

1 Claim, 2 Drawing Sheets

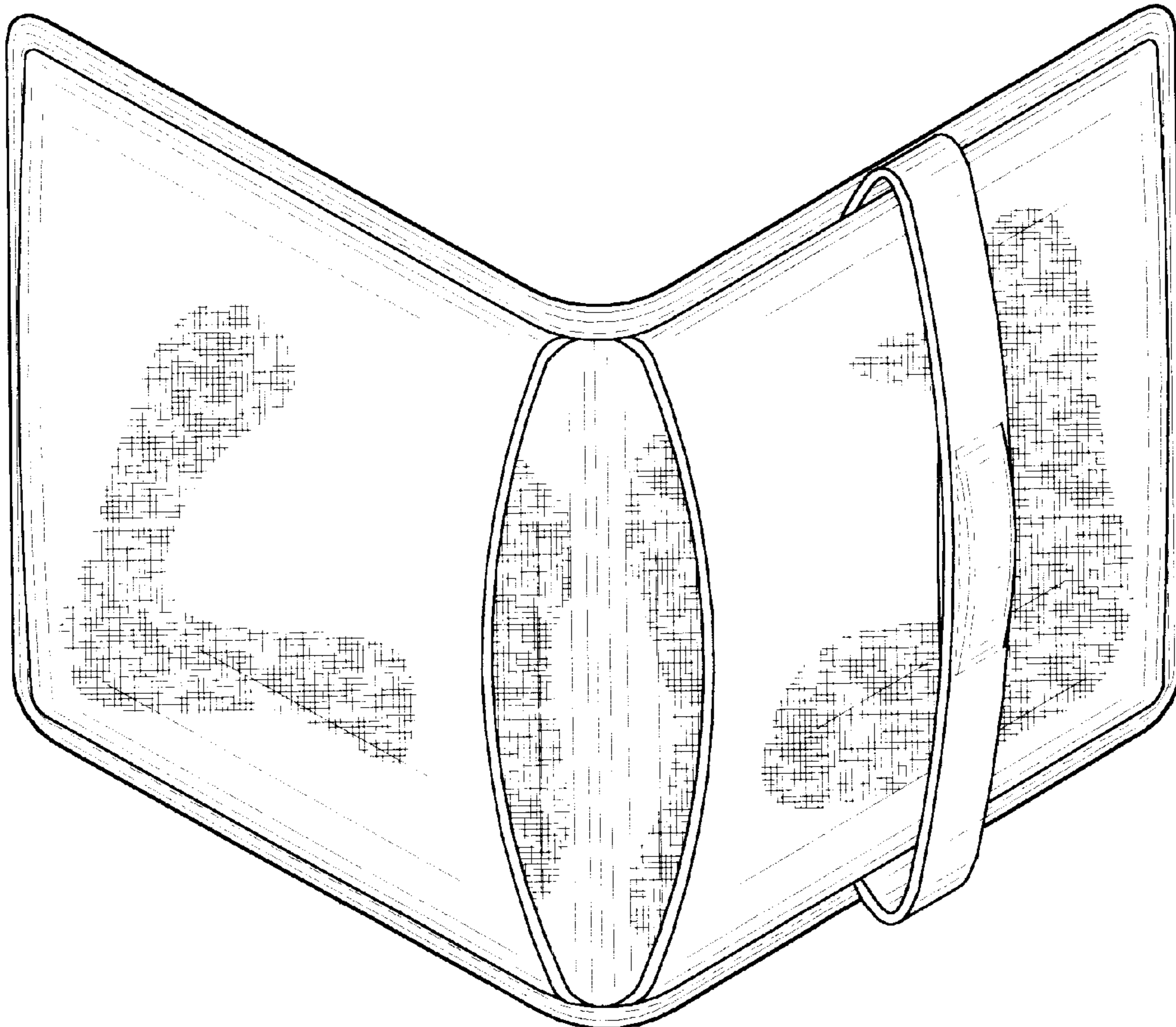




Fig. 1

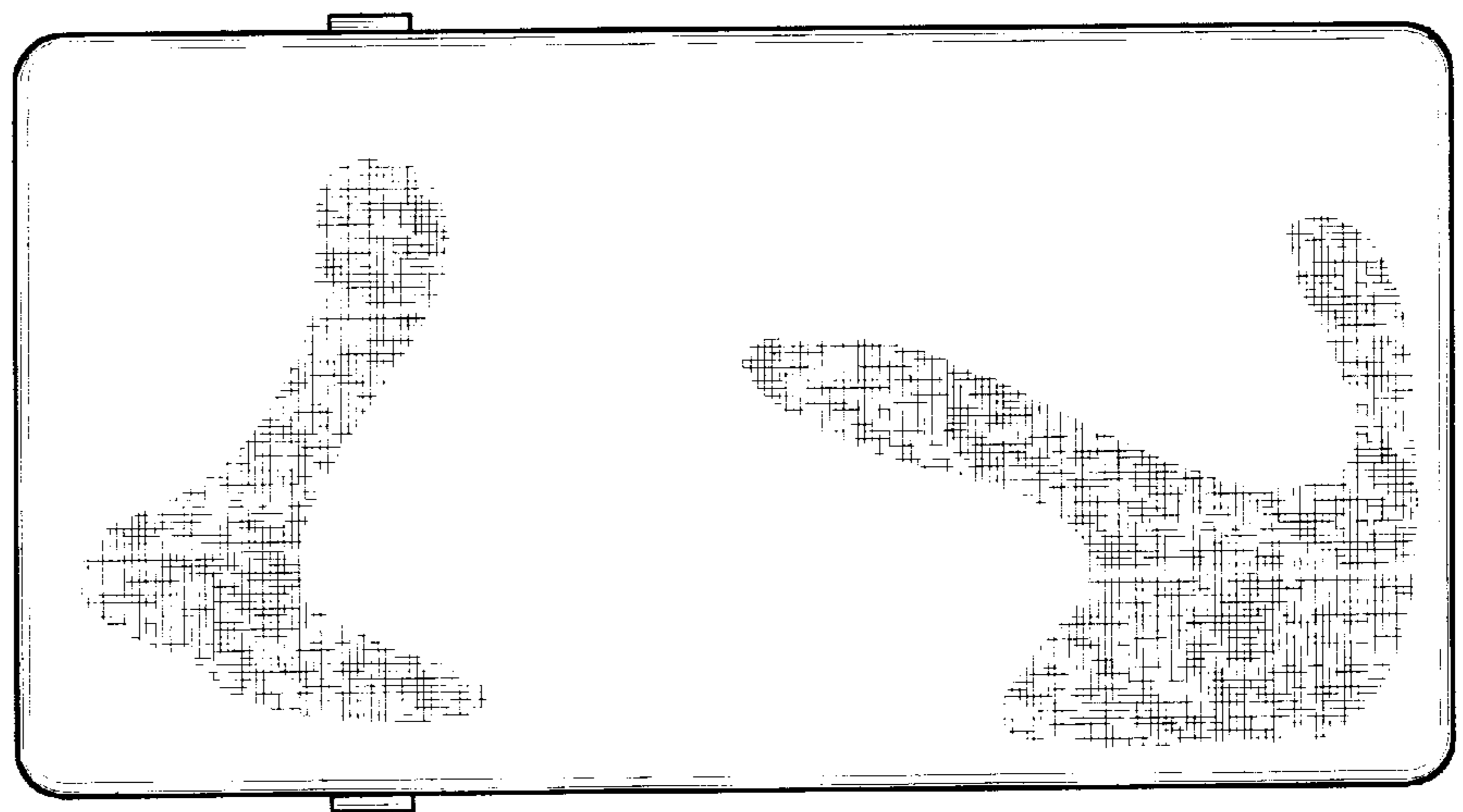


Fig. 2

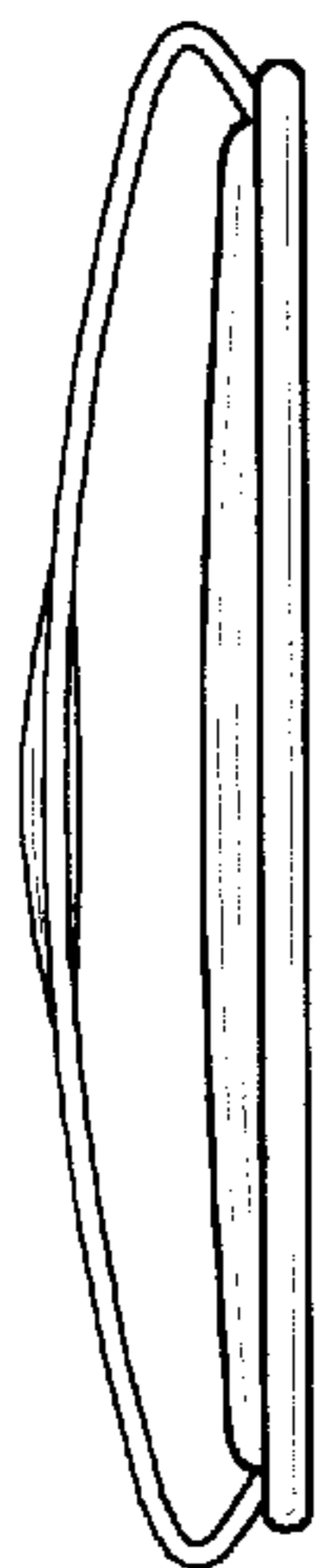


Fig. 3

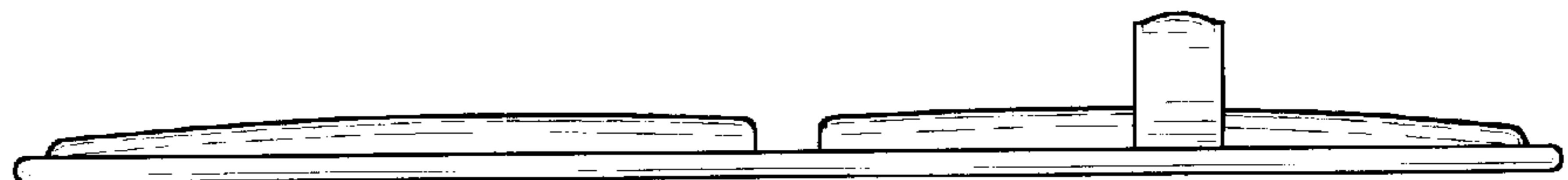


Fig. 4

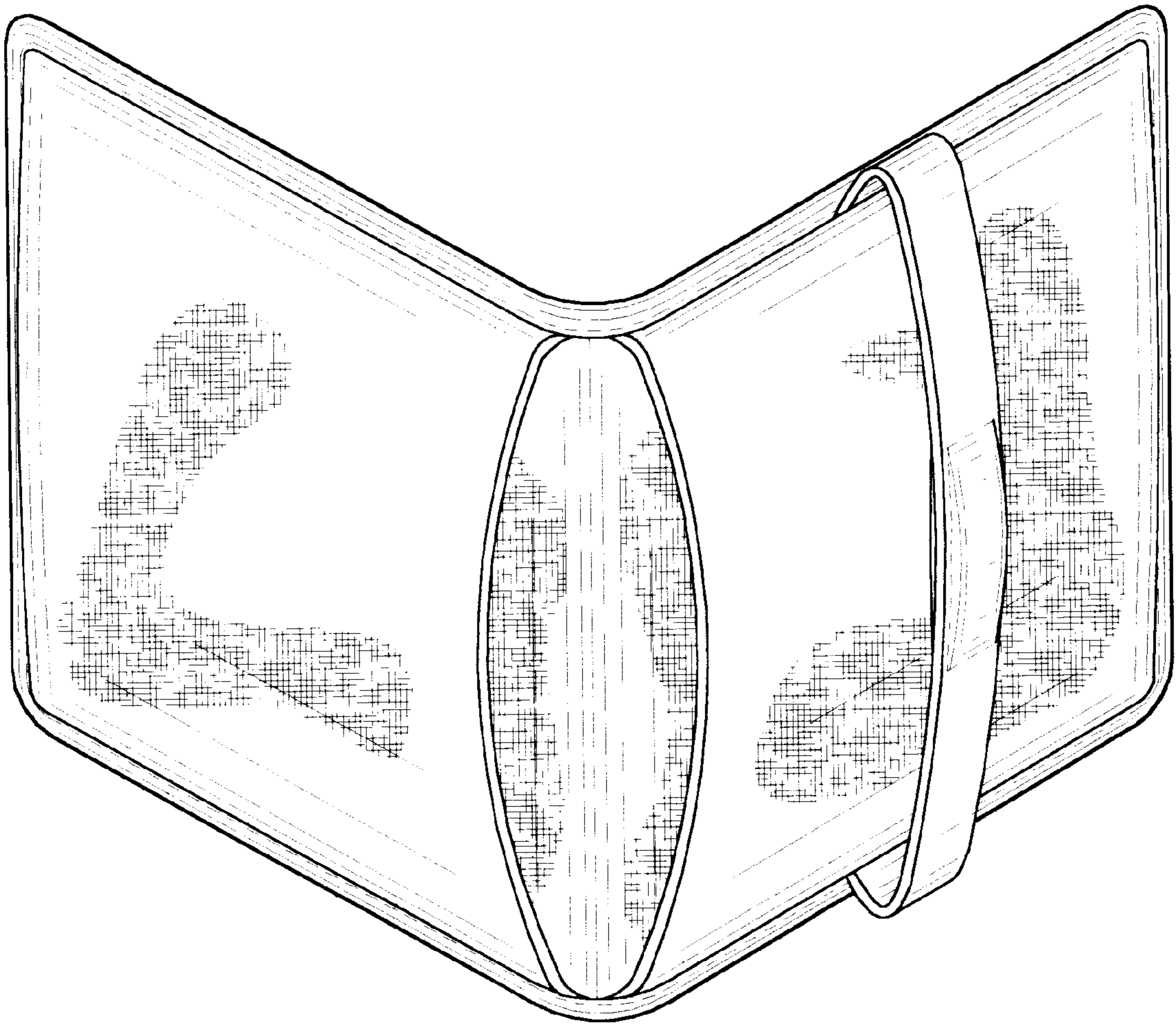


Fig. 5