



US00D433191S

United States Patent [19]

Adachi et al.

[11] Patent Number: **Des. 433,191**

[45] Date of Patent: **** Oct. 31, 2000**

[54] **COMBINED COSMETIC CASE AND TRAY**

[75] Inventors: **Kazuhiko Adachi; Chieko Yamamoto; Eriko Misawa**, all of Tokyo, Japan

[73] Assignee: **Shiseido Co., Ltd.**, Tokyo, Japan

[**] Term: **14 Years**

[21] Appl. No.: **29/113,891**

[22] Filed: **Nov. 16, 1999**

[51] **LOC (7) Cl.** **28-03**

[52] **U.S. Cl.** **D28/78; D28/83**

[58] **Field of Search** **D28/76, 77, 78, D28/83; 132/293, 336, 218, 317; 220/DIG. 26, 345.4, 326, 528, 553, 554, 812, 8; 206/235, 385, 581, 823, 229; D9/414, 420, 423, 432, 347**

[56] **References Cited**

U.S. PATENT DOCUMENTS

D. 302,745	8/1989	Bakic	D28/83
D. 314,448	2/1991	Bakic	D28/78
D. 345,033	3/1994	Acker et al.	D28/83
D. 401,017	11/1998	Thorpe	D28/78
1,653,293	12/1927	Kendall	220/812

2,534,100	12/1950	Baumgartner	220/345.4
4,113,098	9/1978	Howard	220/345.4
4,526,273	7/1985	Tsuji et al.	306/229
4,898,195	2/1990	Sussman	132/317
5,353,947	10/1994	Zinnbauer et al.	220/812

Primary Examiner—Paula A. Mortimer
Attorney, Agent, or Firm—Kanesaka & Takeuchi

[57] **CLAIM**

The ornamental design for a combined cosmetic case and tray, as shown and described.

DESCRIPTION

FIG. 1 is a front view of a combined cosmetic case and tray showing our new design; FIG. 2 is a rear view thereof; FIG. 3 is a top plan view thereof; FIG. 4 is a bottom plan view thereof; FIG. 5 is a right side view thereof, the left side view being identical to the right side view; FIG. 6 is a magnified cross sectional view taken along line 6—6 in FIG. 3; FIG. 7 is a perspective view thereof; and, FIG. 8 is a perspective view in a condition that a tray is drawn from the cosmetic case.

1 Claim, 2 Drawing Sheets

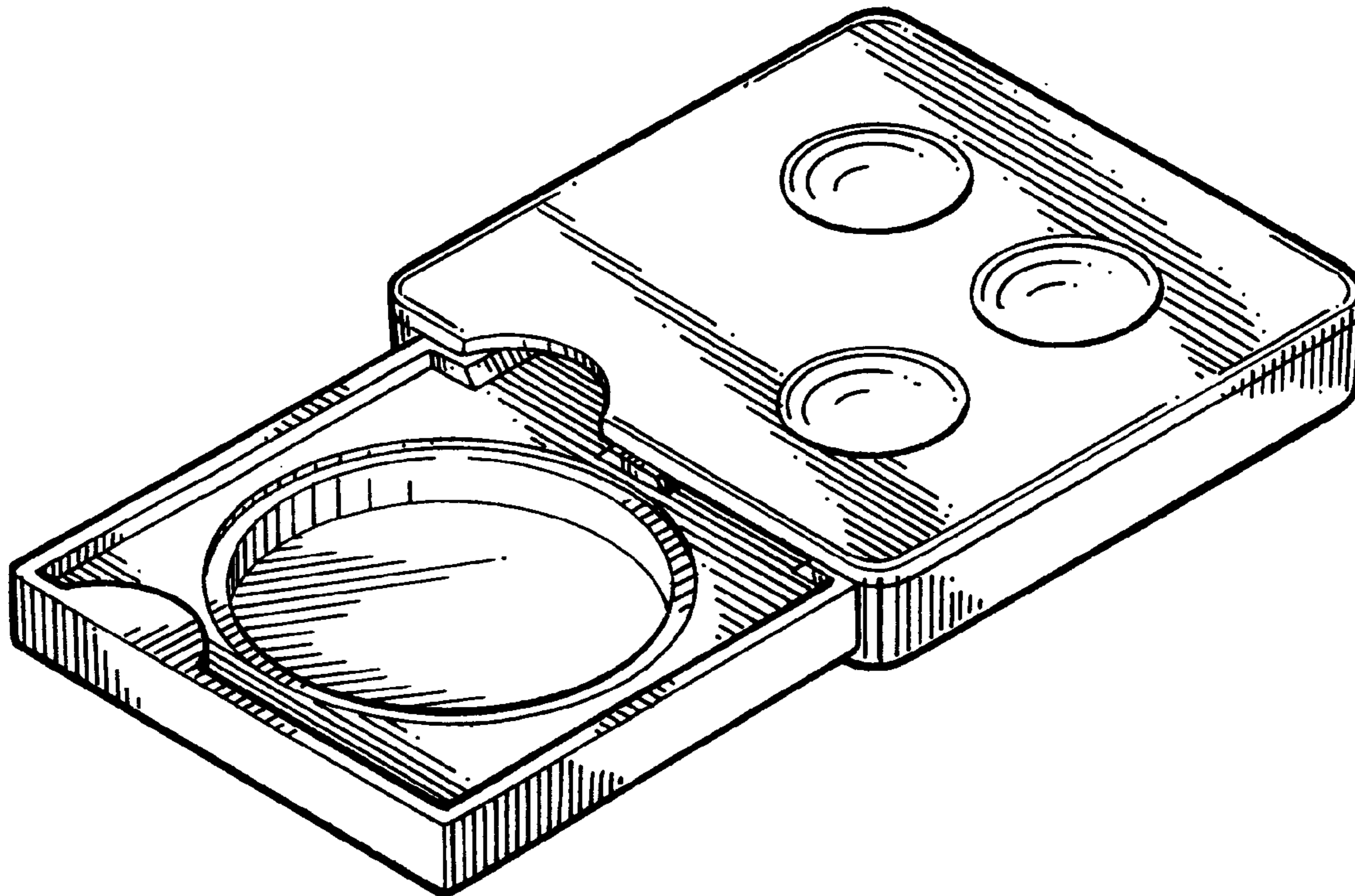




FIG. 1

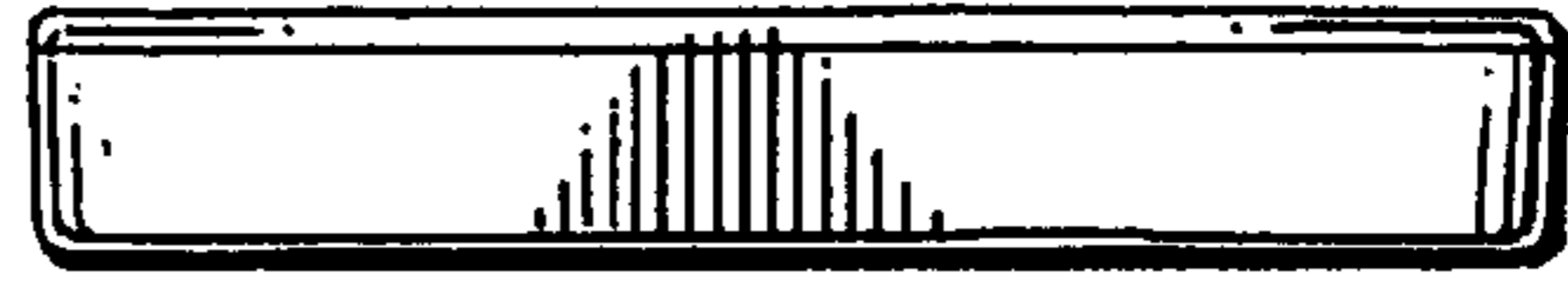
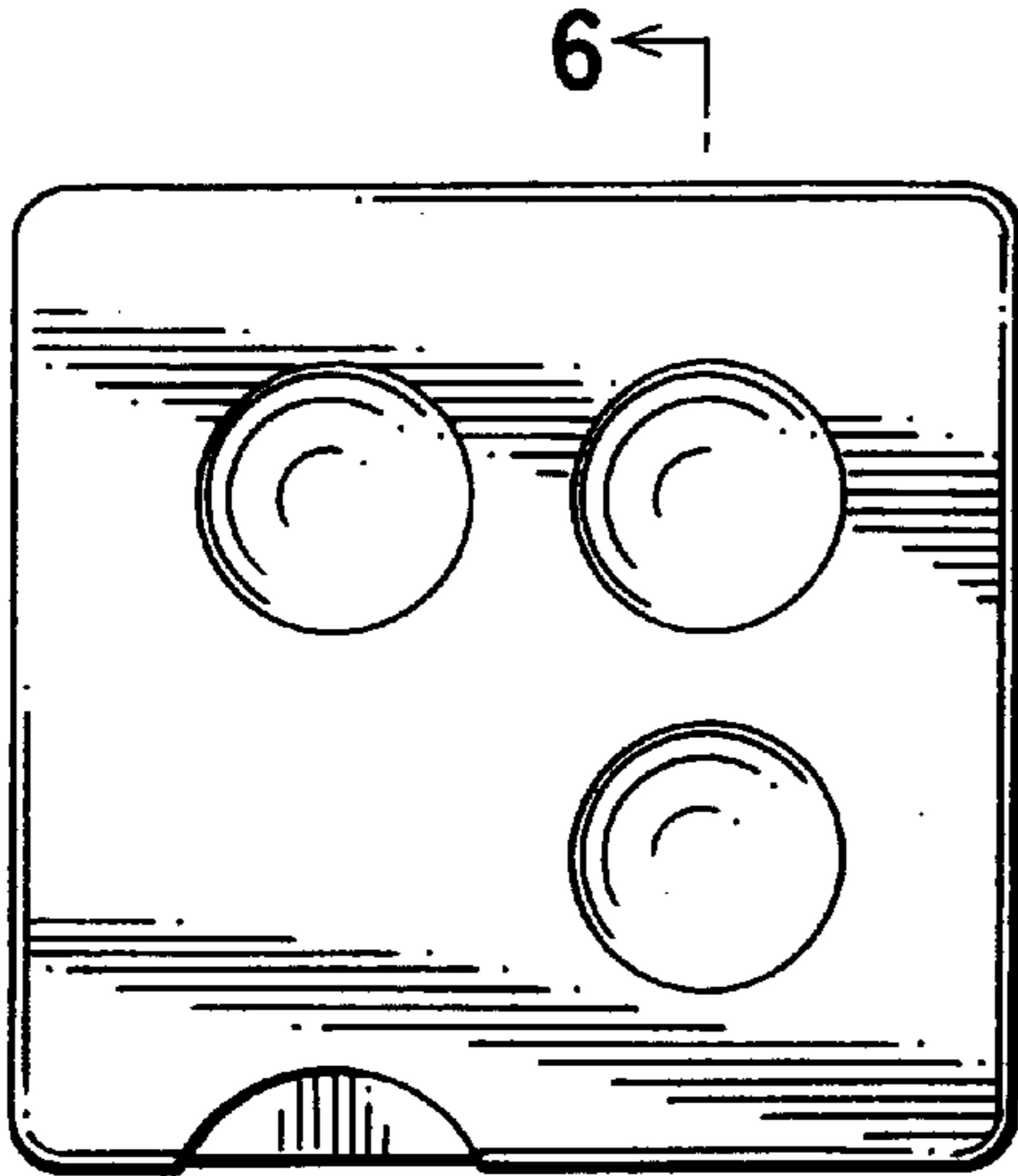


FIG. 2



6
FIG. 3

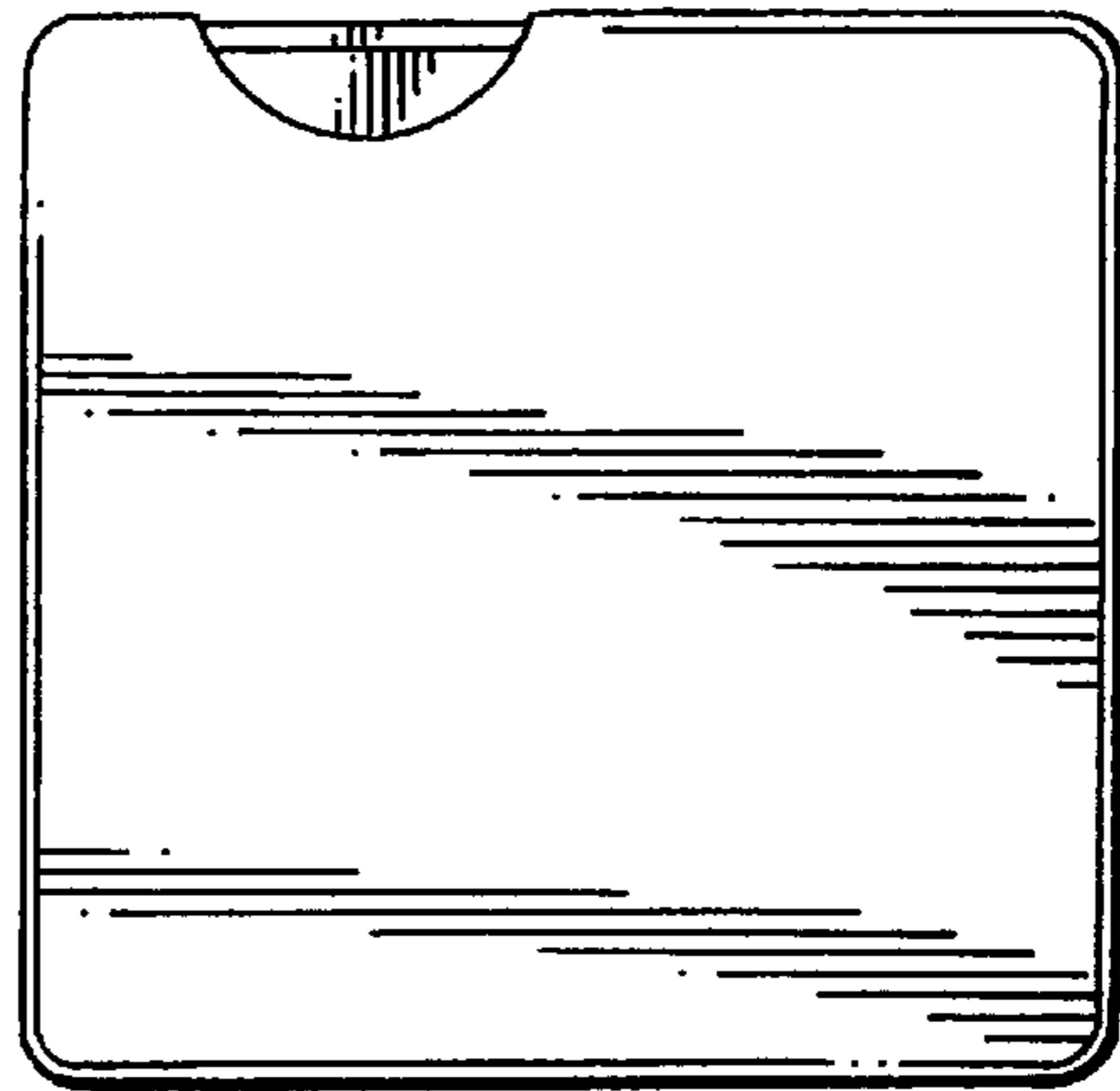


FIG. 4

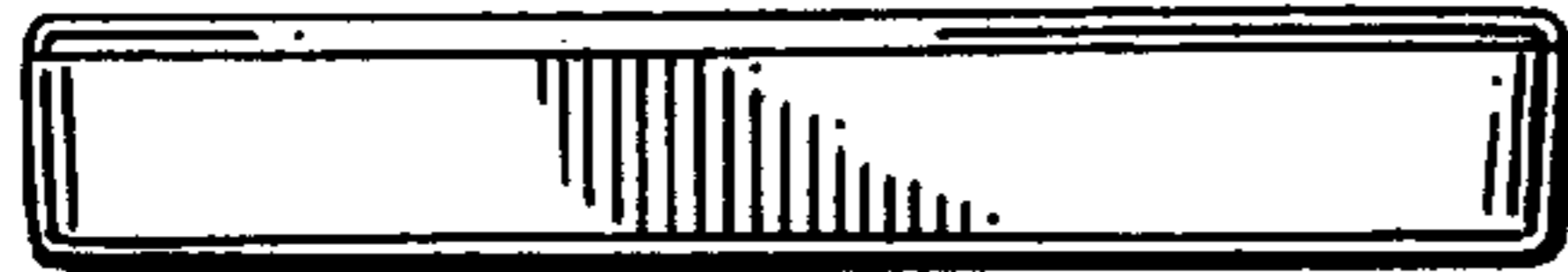


FIG. 5

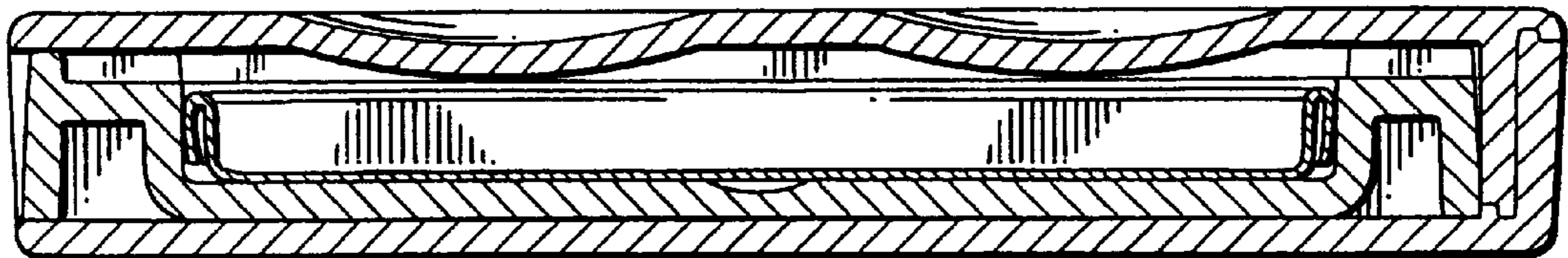


FIG. 6

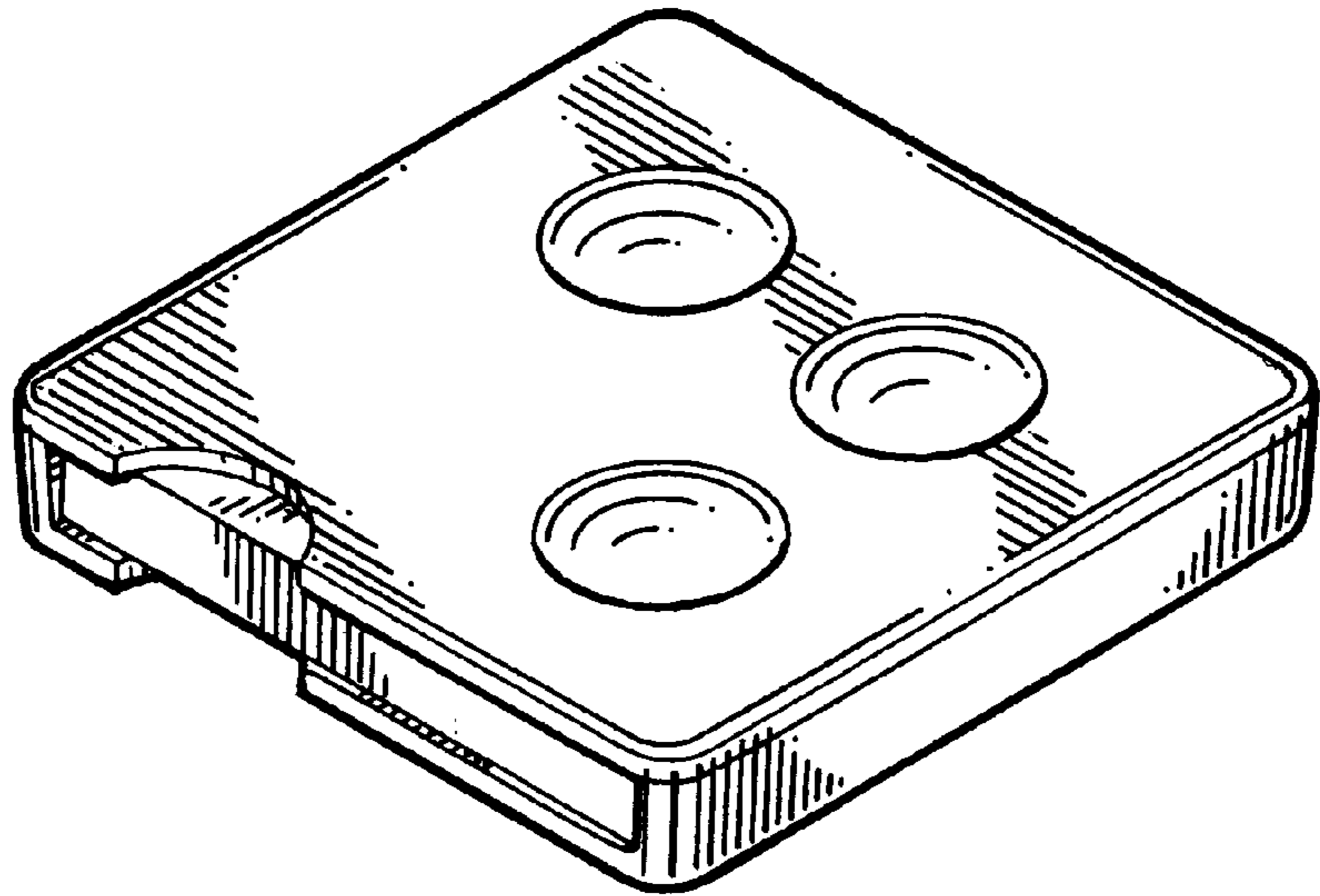


FIG. 7

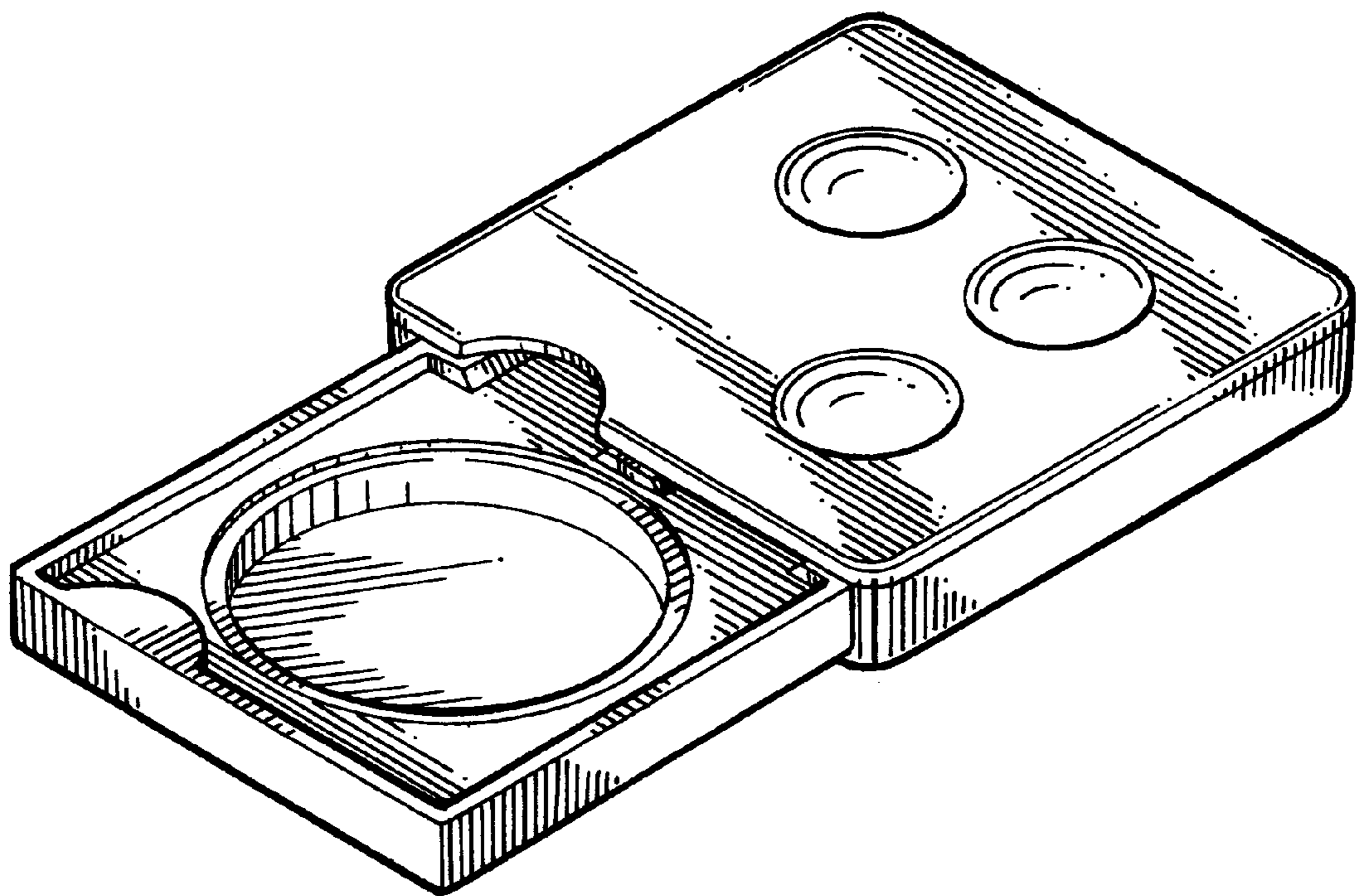


FIG. 8