



US00D433190S

United States Patent [19]

[11] Patent Number: Des. 433,190

Finocchiaro et al.

[45] Date of Patent: ** Oct. 31, 2000

[54] COSMETIC HOLDER

[75] Inventors: Sylvie A. Finocchiaro, New York, N.Y.;
Jacques A. Gerbron, Menton, France

[73] Assignee: Coty, Inc., New York, N.Y.

[**] Term: 14 Years

[21] Appl. No.: 29/094,113

[22] Filed: Sep. 25, 1998

[51] LOC (7) Cl. 28-03

[52] U.S. Cl. D28/76

[58] Field of Search D28/76-84, 91;
132/293-307; 220/DIG. 26; 206/581, 235,
823

[56] **References Cited**

U.S. PATENT DOCUMENTS

D. 113,996	3/1939	Rosenberg	D28/82
D. 298,362	11/1988	Filiz et al.	D28/82
D. 381,577	7/1997	Gaultier	D9/311
D. 402,412	12/1998	Thorpe	D28/82
D. 408,285	4/1999	Favre	D28/91
1,482,786	2/1924	Dodson	132/303
1,651,193	11/1927	Chisholm	132/305
1,743,512	1/1930	Aisen	.	
1,744,532	1/1930	Ean	.	
2,061,139	11/1936	Cohen	.	
2,088,076	7/1937	Winslow	.	
2,141,328	12/1938	Younghusband	132/293
2,175,133	10/1939	Singleton	.	
2,234,657	3/1941	Smaldone	.	
2,378,935	6/1945	Kraft	.	
2,561,400	7/1951	Morrell	.	
2,998,821	9/1961	Hurdel	.	
3,157,912	11/1964	Lisczawka	.	
3,788,917	1/1974	Linda	.	
3,811,987	5/1974	Wilkinson	.	
4,224,092	9/1980	Thompson et al.	156/82
4,372,098	2/1983	Mason	53/412

4,515,703	5/1985	Haq	252/92
4,540,007	9/1985	Carracoy	132/88.5
4,648,506	3/1987	Campbell	206/216
4,747,782	5/1988	Campbell, Jr.	434/377
4,751,934	6/1988	Moir et al.	132/79
4,824,143	4/1989	Grainger	283/56
4,890,872	1/1990	Parrotta et al.	283/56
4,906,488	3/1990	Pera	426/573
4,908,252	3/1990	Carnahan et al.	428/27
4,923,063	5/1990	Tararuj	206/484
4,940,584	7/1990	Tararuj et al.	424/401
4,952,400	8/1990	Tararuj et al.	424/401
5,192,386	3/1993	Moir et al.	156/268
5,445,821	8/1995	Brown et al.	424/401
5,562,112	10/1996	Gunderman et al.	132/333
5,566,693	10/1996	Gunderman et al.	132/333
5,647,941	7/1997	Gunderman et al.	156/277
5,690,130	11/1997	Gunderman et al.	132/319
5,765,683	6/1998	Starkle	206/385
5,782,060	7/1998	Greenland	53/450
5,799,675	9/1998	Gunderman et al.	132/333
5,819,764	10/1998	Sussman	132/293

FOREIGN PATENT DOCUMENTS

0722676A1 7/1996 European Pat. Off. .

Primary Examiner—Raphael Barkai
Attorney, Agent, or Firm—Schwegman, Lundberg,
Woessner & Kluth, P.A.

[57] **CLAIM**

The ornamental design for a cosmetic holder, as shown and described.

DESCRIPTION

FIG. 1 is a perspective view of our cosmetic holder;
FIG. 2 is a top plan view thereof;
FIG. 3 is a bottom plan view thereof; and,
FIG. 4 is a front side view thereof, the rear side view being a mirror image thereof.

1 Claim, 1 Drawing Sheet

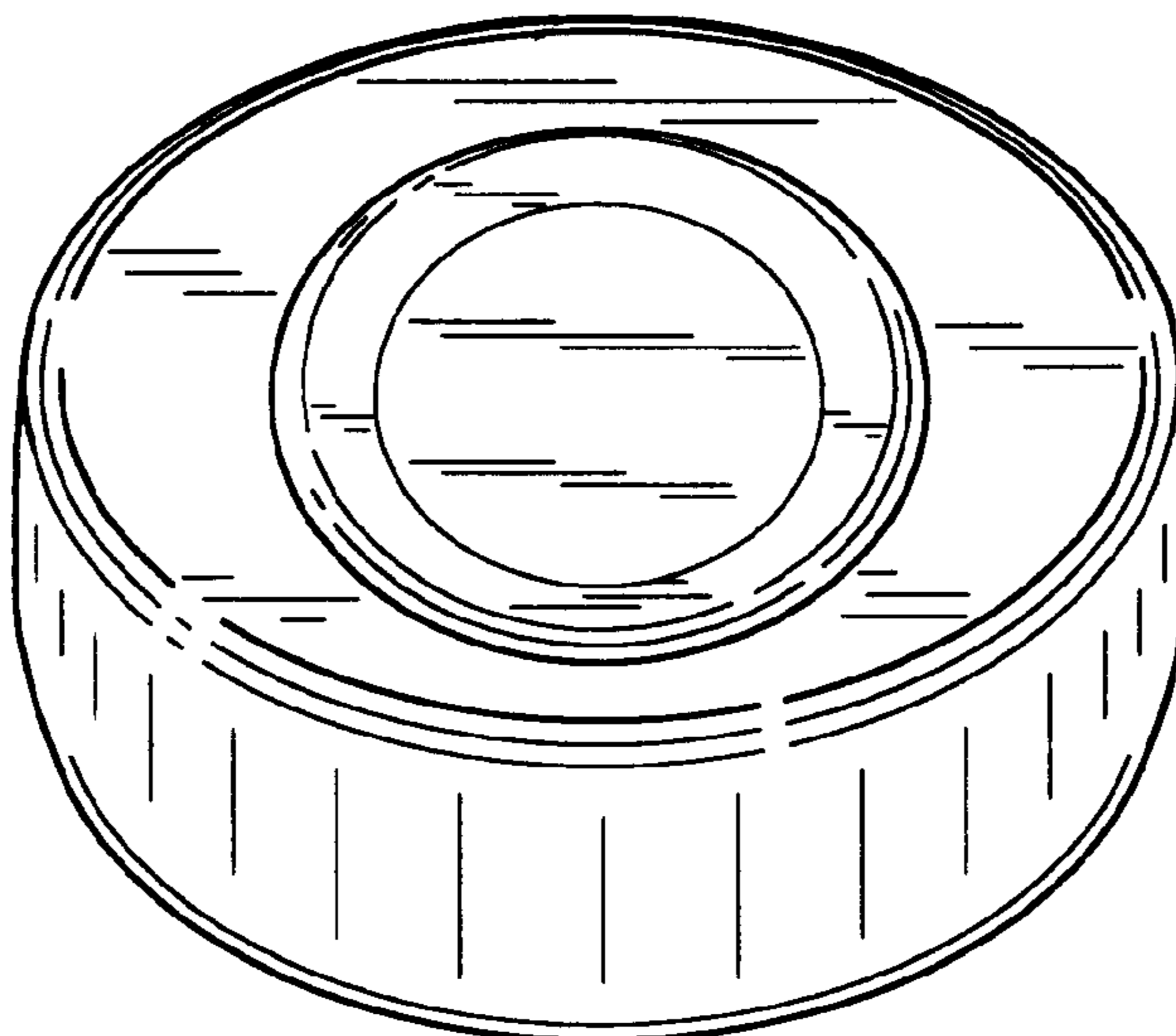


FIG. 1

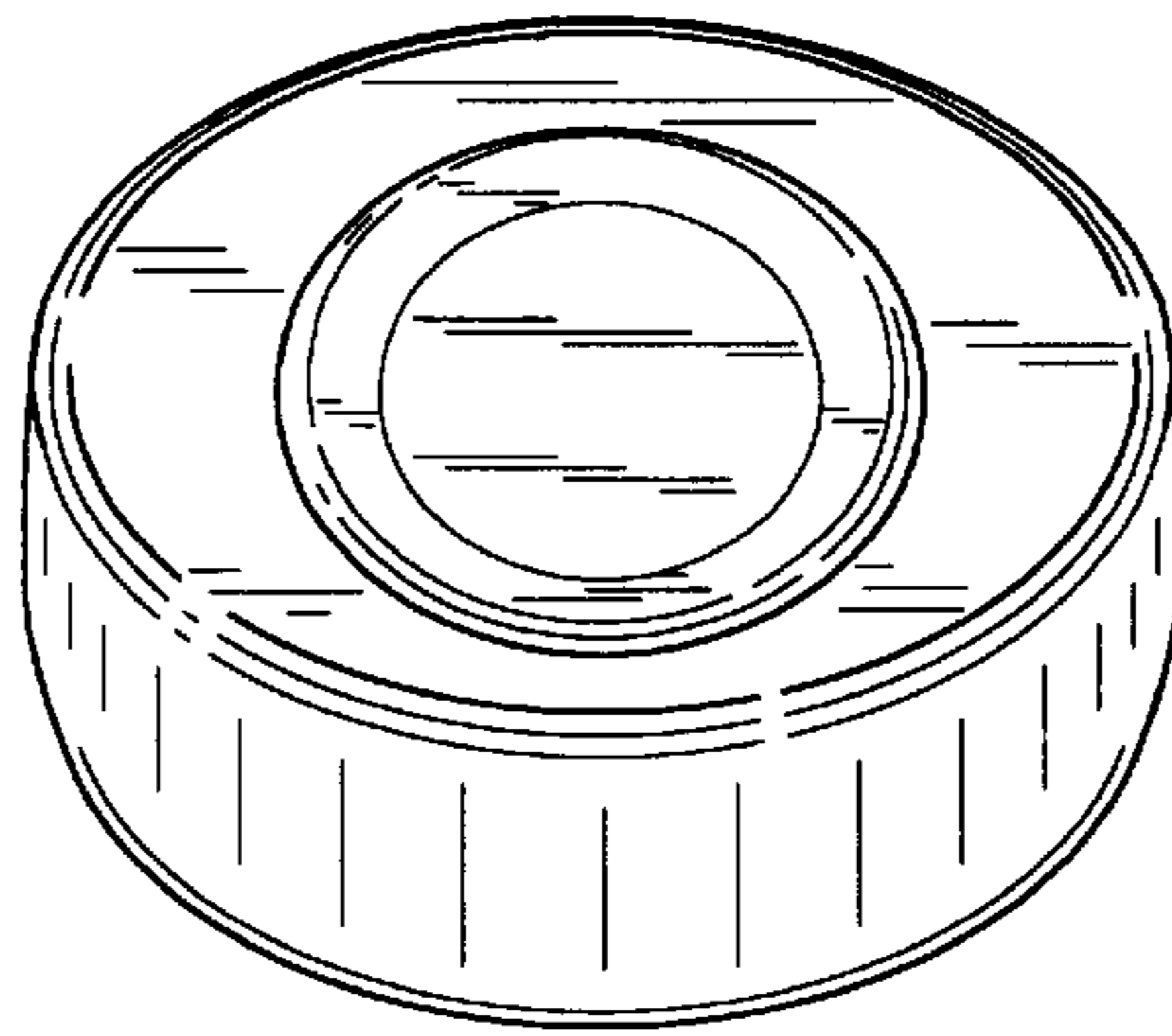


FIG. 2

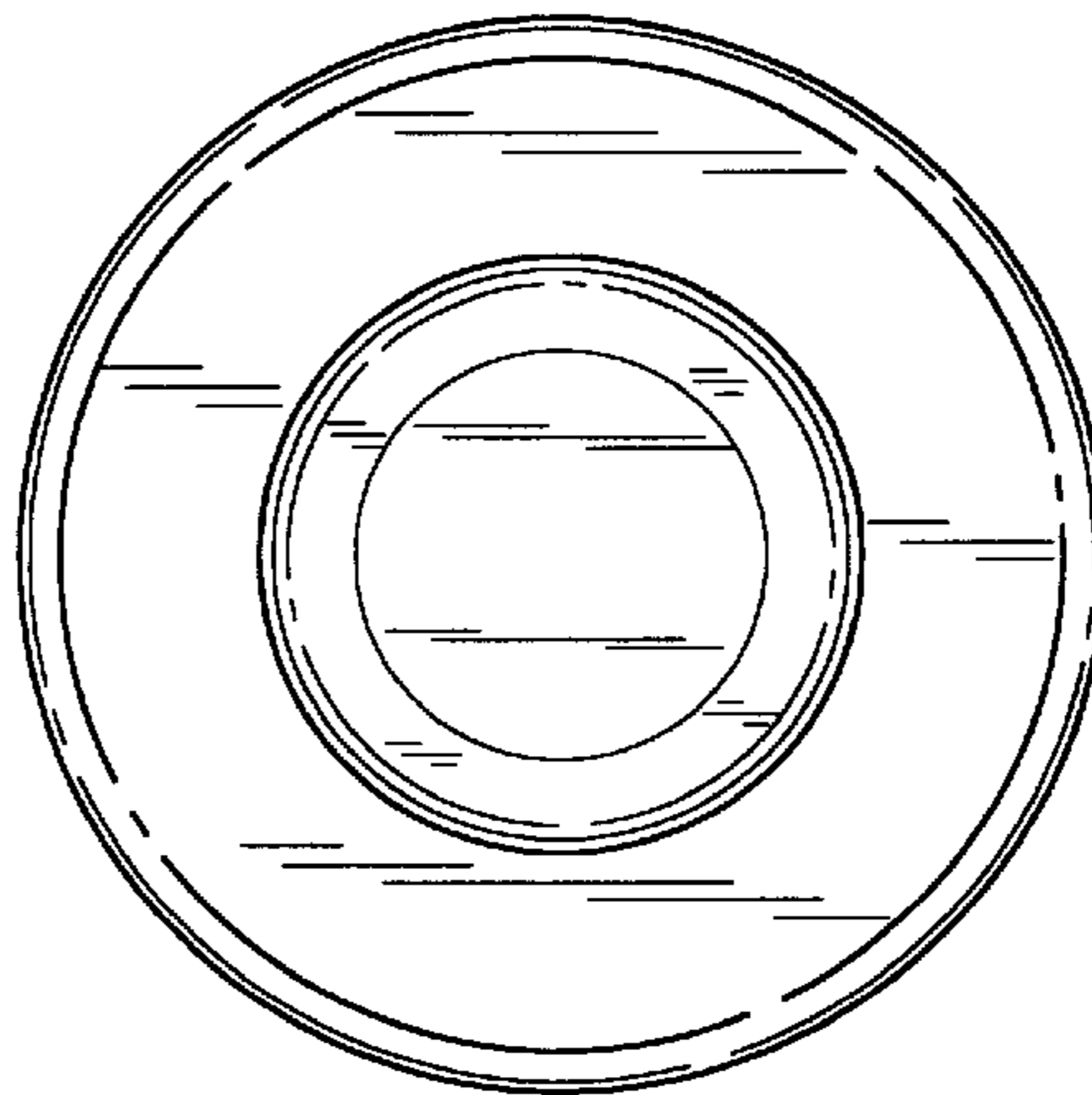


FIG. 3

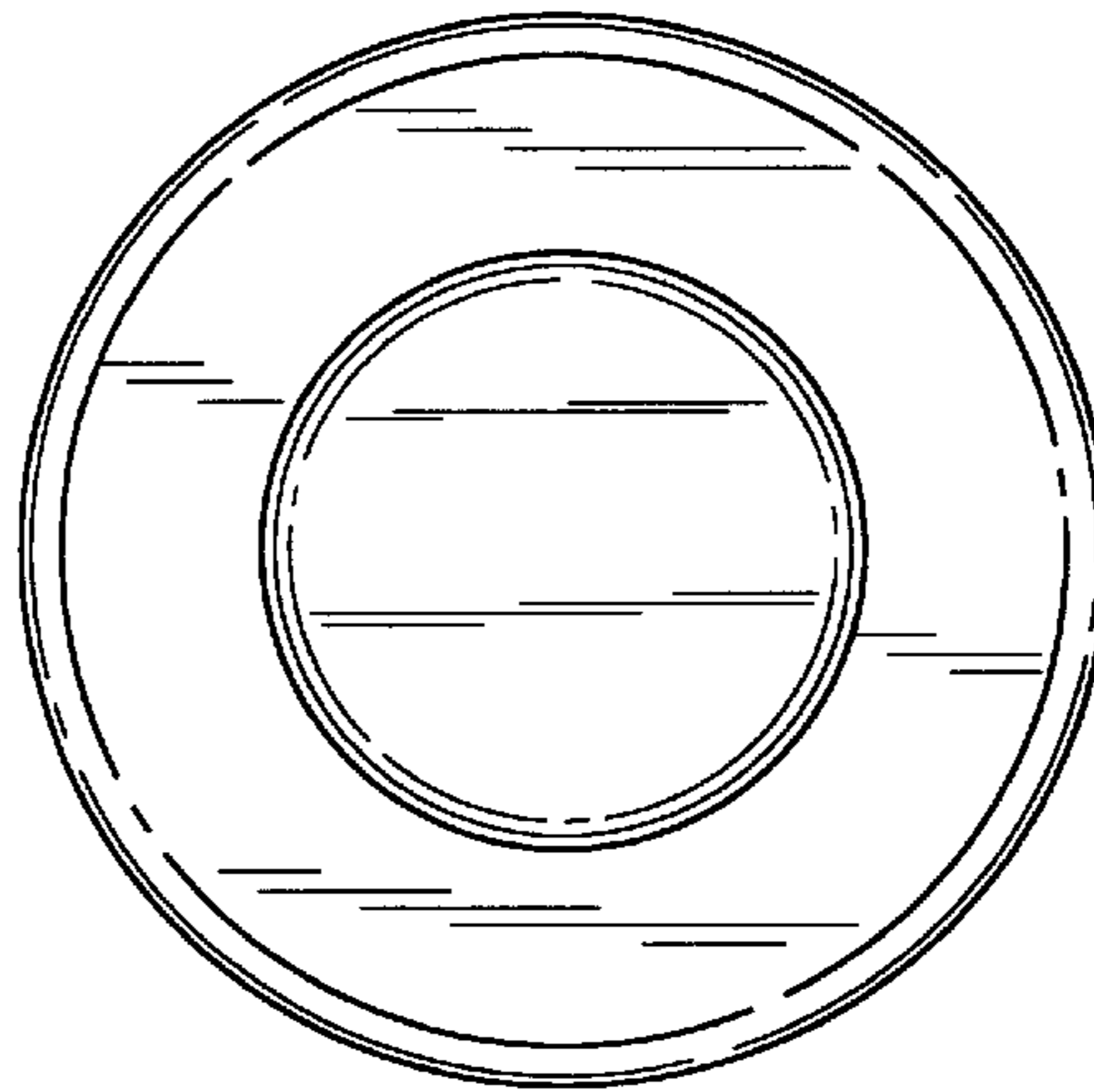


FIG. 4

