



US00D433186S

# United States Patent [19]

LeCrone et al.

[11] Patent Number: Des. 433,186

[45] Date of Patent: \*\* Oct. 31, 2000

[54] HAIR ACCESSORY DEVICE

5,177,984 1/1993 Arata ..... 63/26

[76] Inventors: Vicki LeCrone; Denise Hall, both of  
221 Cozumel, Laguna Beach, Calif.  
92651

[\*\*] Term: 14 Years

[21] Appl. No.: 29/094,592

[22] Filed: Oct. 6, 1998

[51] LOC (7) Cl. .... 28-03

[52] U.S. Cl. .... D28/39; D28/10; D28/41

[58] Field of Search ..... D28/39-43; D11/200-202,  
D11/207, 215, 222, 223, 1, 2, 40, 42, 47,  
86, 87, 90, 91; 132/57.1, 60, 62, 72.1, 273,  
275; 63/1.11, 1.18, 12, 20, 26, 29.1, 30-32;  
24/707.3, 711.3, 711.4, 112

[56] **References Cited**

**U.S. PATENT DOCUMENTS**

|            |         |             |       |         |
|------------|---------|-------------|-------|---------|
| D. 44,635  | 9/1913  | Fleischmann | ..... | D28/39  |
| 110,070    | 12/1870 | Potter      | ..... | 24/112  |
| D. 347,493 | 5/1994  | Connolly    | ..... | D28/41  |
| 551,913    | 12/1895 | Grundmann   | ..... | 132/62  |
| 574,288    | 12/1896 | Timmons     | ..... | 132/275 |
| 770,880    | 9/1904  | Weiss       | ..... | 24/112  |
| 1,403,118  | 1/1922  | Henderson   | ..... | 132/62  |
| 1,725,125  | 8/1929  | Bartley     | ..... | 132/275 |
| 2,141,363  | 12/1938 | Rigollet    | ..... | 63/29.1 |

**FOREIGN PATENT DOCUMENTS**

|           |         |             |       |         |
|-----------|---------|-------------|-------|---------|
| 197619    | 10/1957 | Austria     | ..... | 62/20   |
| 563858    | 10/1923 | France      | ..... | 132/62  |
| 984016    | 7/1951  | France      | ..... | 132/280 |
| 2425818   | 1/1980  | France      | ..... | 24/112  |
| 10852/235 | 8/1897  | Switzerland | ..... | 132/62  |
| 268697    | 9/1950  | Switzerland | ..... | 132/280 |

Primary Examiner—Terry A. Wallace  
Assistant Examiner—C Tuttle  
Attorney, Agent, or Firm—Stroock & Stroock & Lavan LLP

[57] **CLAIM**

The ornamental design for a hair accessory device, as shown and described.

**DESCRIPTION**

FIG. 1 shows a perspective view of the invention;  
FIG. 2 is a top view;  
FIG. 3 is a bottom view;  
FIG. 4 is a right side view; and,  
FIG. 5 is a left side view.  
The portions shown in broken lines are for illustrative purposes only and forms no part of the claimed design.  
The surface(s) or portion(s) of the article not shown in the drawing or described in the specification form(s) no part of the claimed design.

**1 Claim, 1 Drawing Sheet**

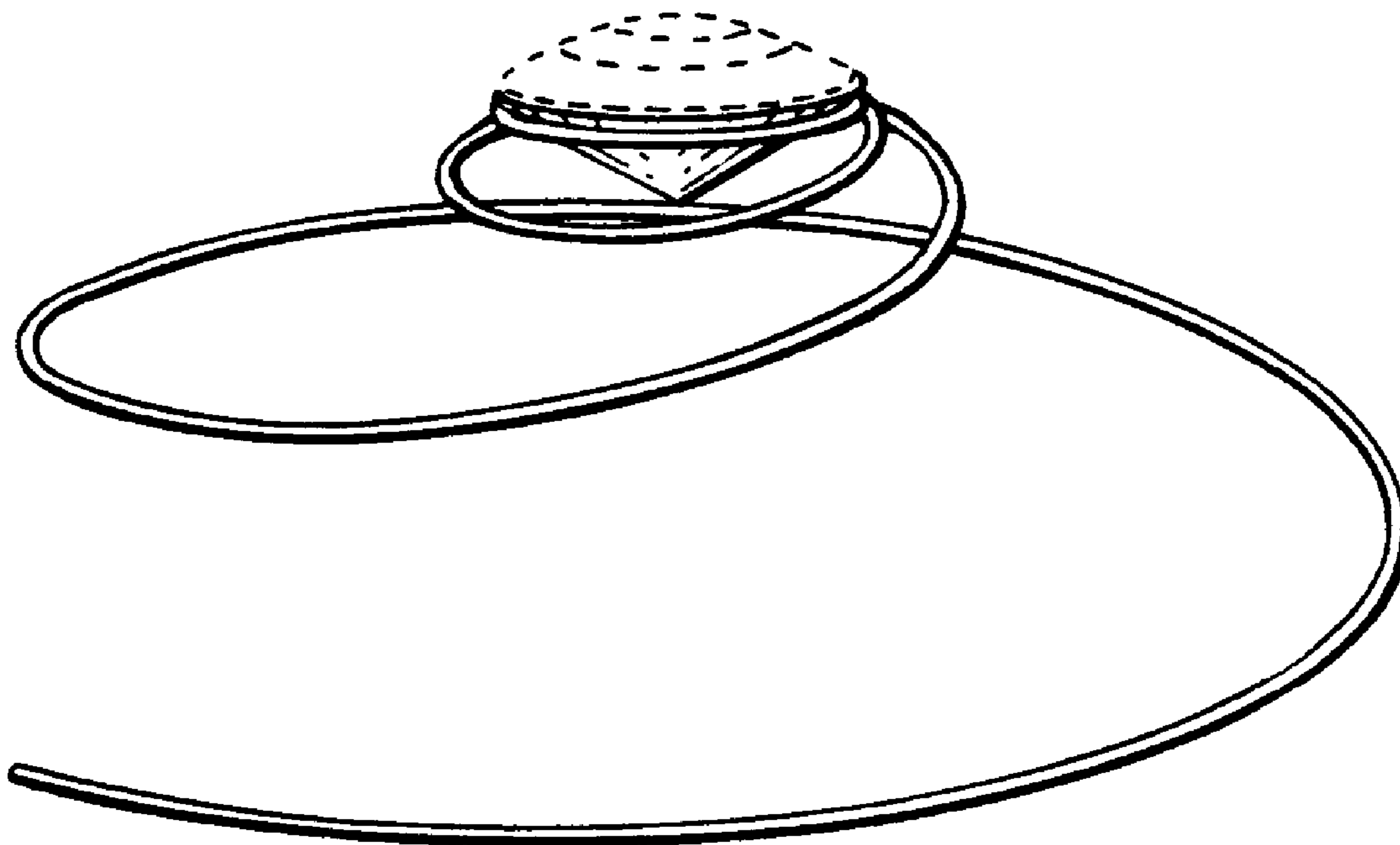


FIG.1

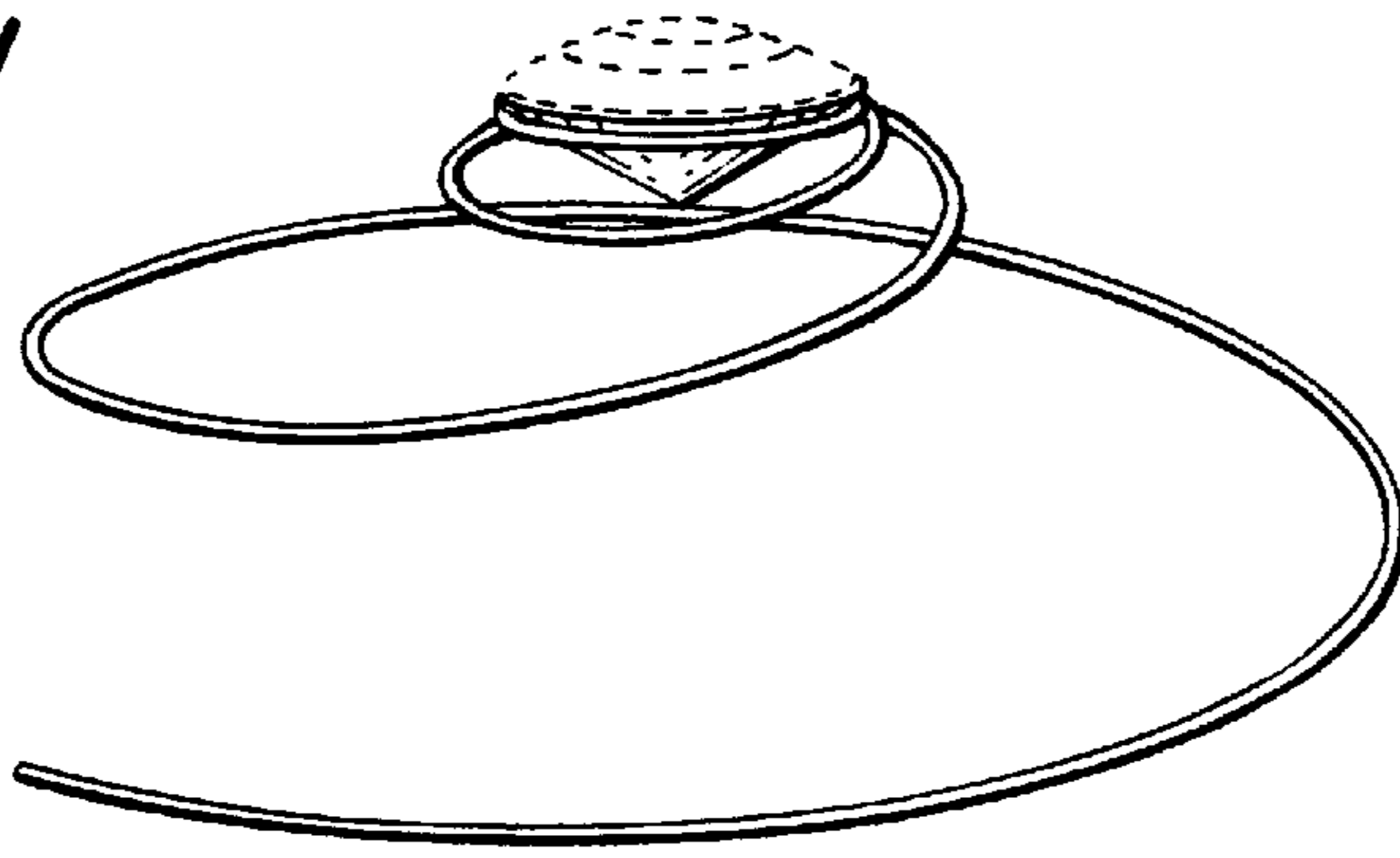


FIG.2

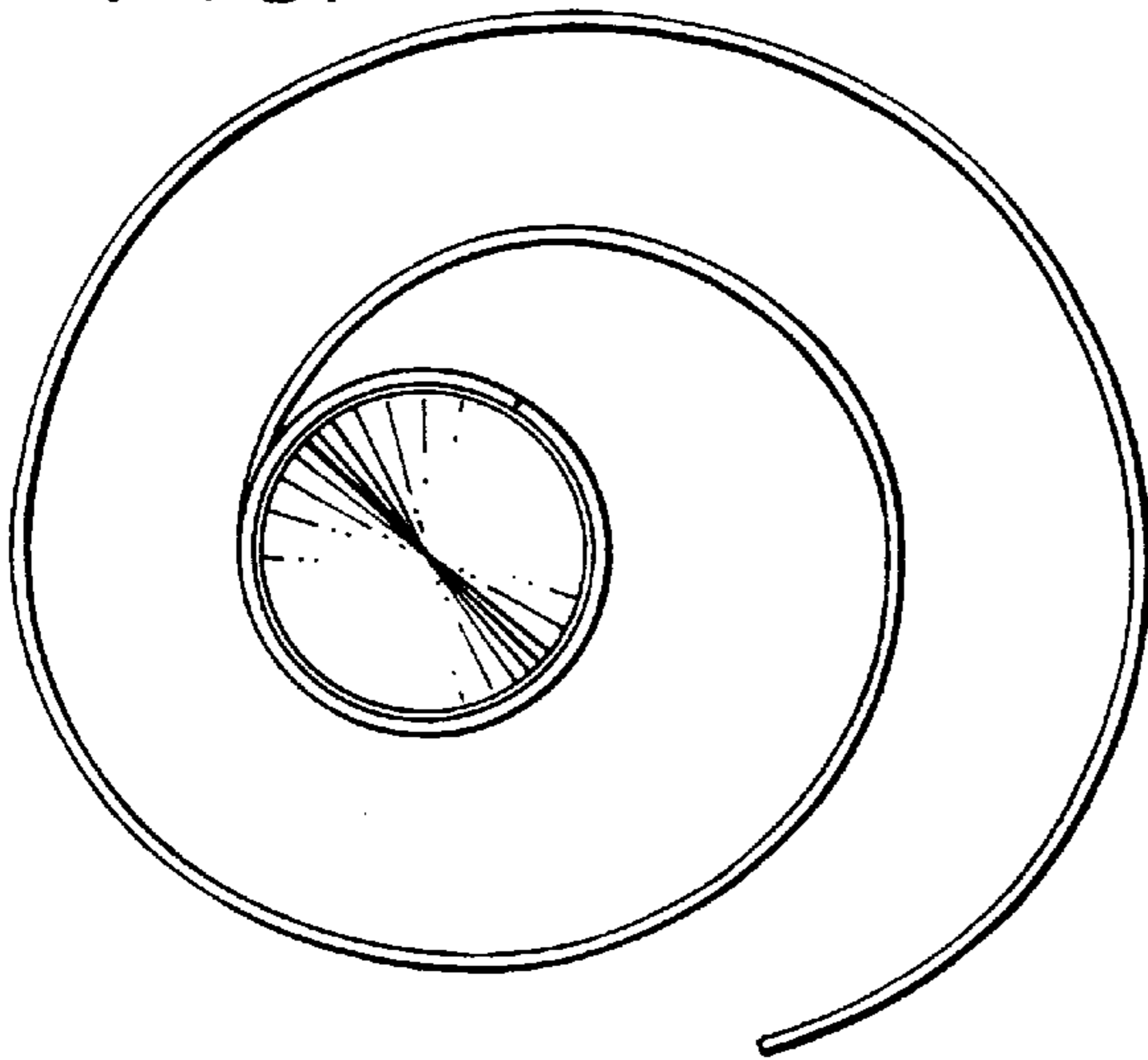


FIG.3

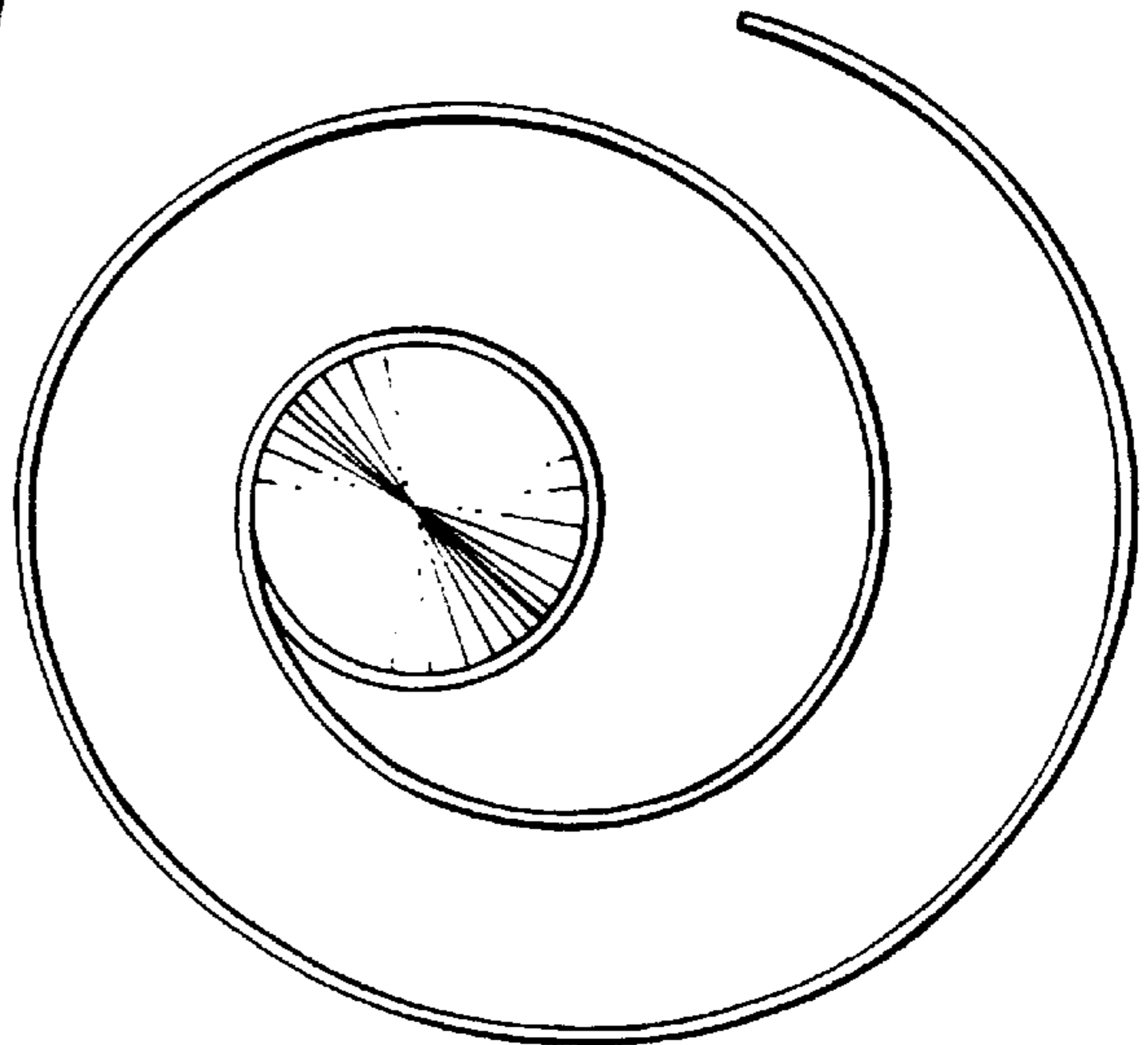


FIG.4

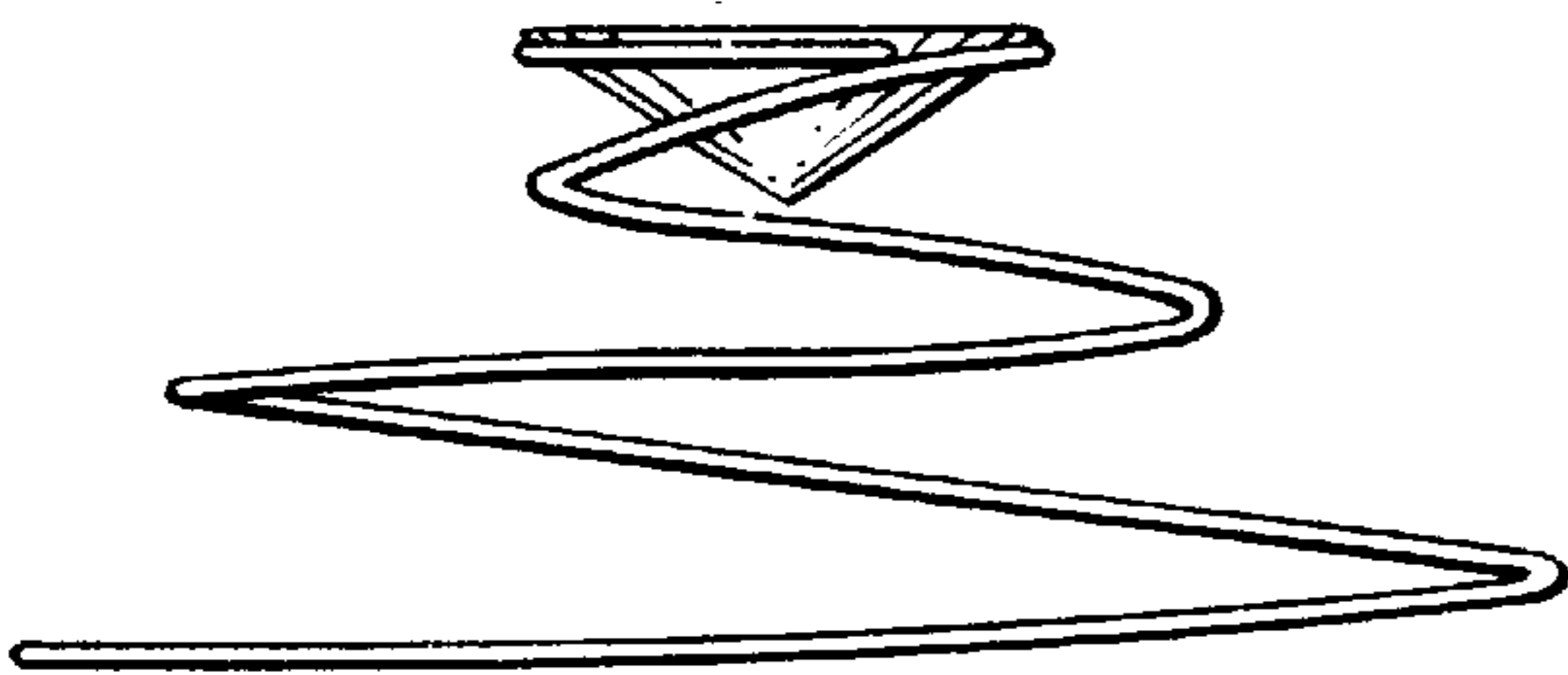


FIG.5

