



US00D433185S

United States Patent [19] Hirata

[11] Patent Number: Des. 433,185

[45] Date of Patent: ** Oct. 31, 2000

[54] HAIR IRON

[75] Inventor: Yoshihiro Hirata, Kyoto, Japan

[73] Assignee: Phild Co., LTD, Kyoto, Japan

[**] Term: 14 Years

[21] Appl. No.: 29/110,099

[22] Filed: Aug. 31, 1999

[51] LOC (7) Cl. 28-03

[52] U.S. Cl. D28/35

[58] Field of Search D28/10, 35; 132/223-269;
219/222, 225

[56] **References Cited**

U.S. PATENT DOCUMENTS

D. 253,973	1/1980	Rosse	D28/35
D. 256,169	7/1980	Cusenza	D28/35
D. 260,692	9/1981	Rakocy	D28/35
D. 323,040	1/1992	Smal	D28/35
D. 411,333	6/1999	Smal	D28/35
495,292	4/1893	Bernner	132/225
1,014,952	1/1912	Cox	132/224
1,449,632	3/1923	Talbot	132/225
1,472,561	10/1923	Haberkamp	132/269
2,052,235	8/1936	Lini	132/228
5,046,516	9/1991	Barradas	132/232
5,848,599	12/1998	Todd	132/223

FOREIGN PATENT DOCUMENTS

711750	9/1931	France	219/225
--------	--------	--------	-------	---------

OTHER PUBLICATIONS

Hong Kong Enterprise Jun. 1991, p. 302: item No. VR830F.
Hong Kong Enterprise Oct. 1995, p. 542: item Nos. TS-916S and TS-811.

Primary Examiner—Catherine Tuttle
Attorney, Agent, or Firm—James E. Curry

[57] **CLAIM**

The ornamental design for a hair iron, as shown and described.

DESCRIPTION

FIG. 1 is a perspective view showing my new design held in an open position;
FIG. 2 is a top view of the present invention shown in the closed position;
FIG. 3 is a front view thereof;
FIG. 4 is a bottom view thereof;
FIG. 5 is a back view thereof;
FIG. 6 is a left side view thereof;
FIG. 7 is a right side view thereof;
FIG. 8 is a front view of the present invention shown in an open position; and,
FIG. 9 is a sectional taken along line 9—9 of FIG. 8.
The broken lines showing the cord, transformer plug, hand and other, smaller features are for illustrative purposes only and form no part of the claimed design.
The surface(s) or portion(s) of the article not shown in the drawing or described in the specification form(s) no part of the claimed design.

1 Claim, 5 Drawing Sheets

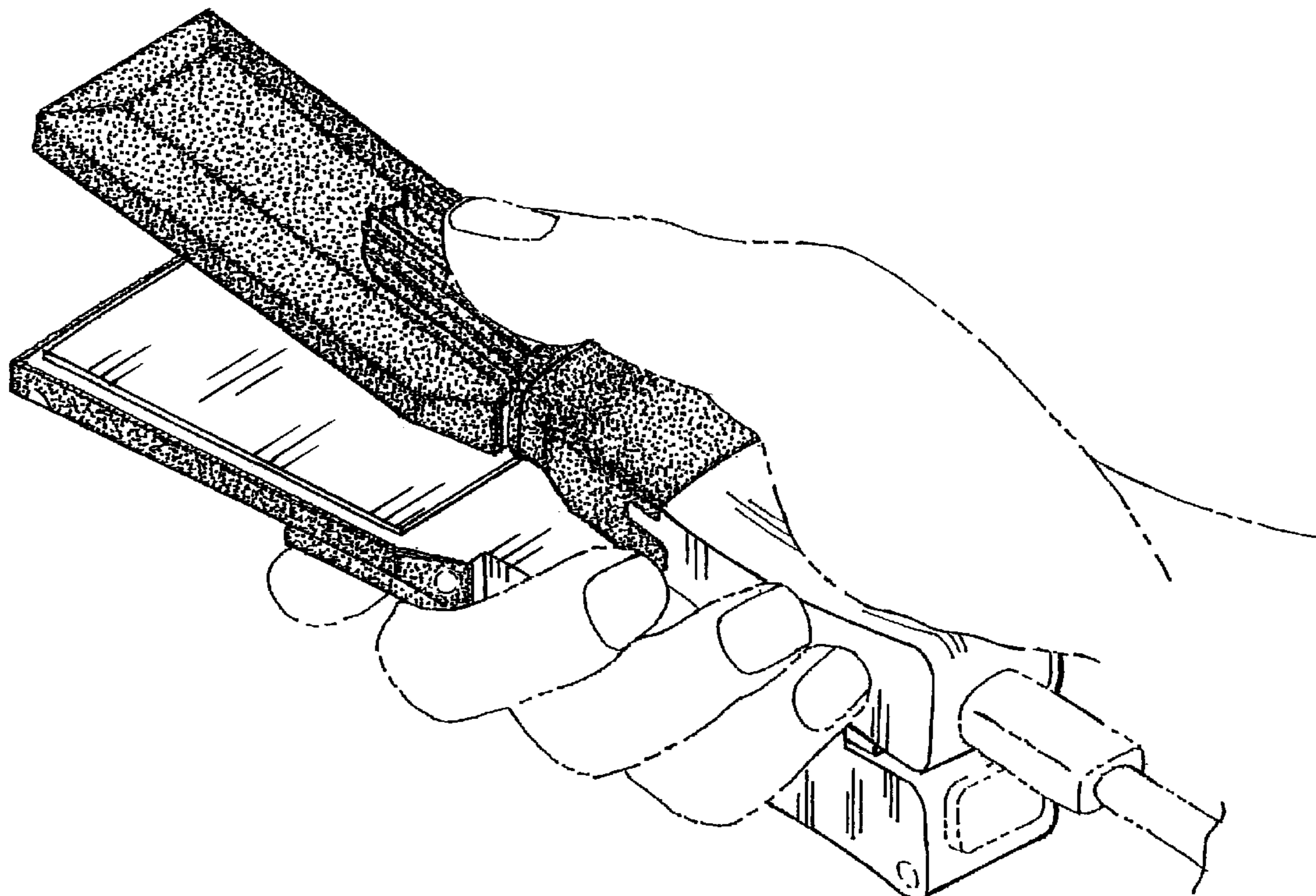
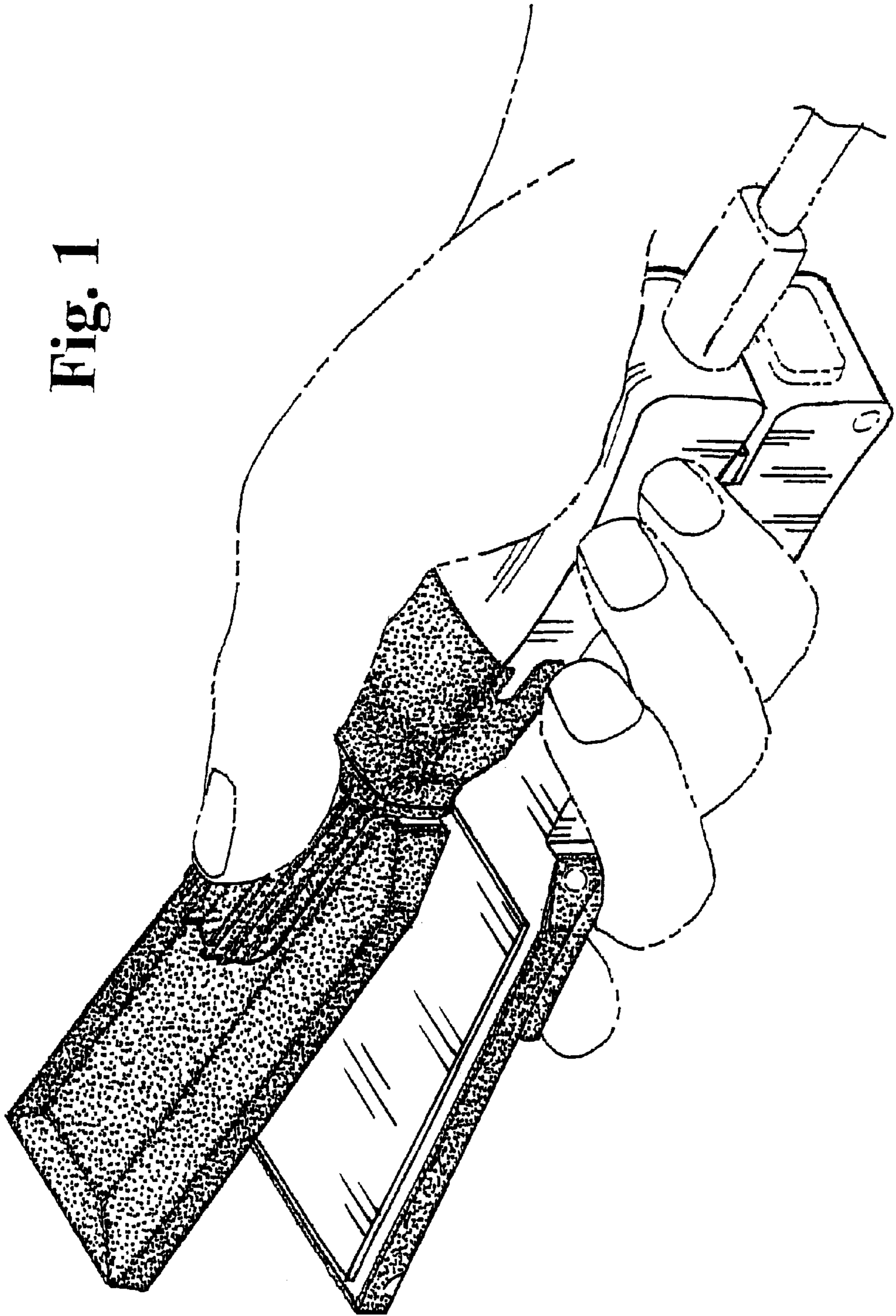


Fig. 1



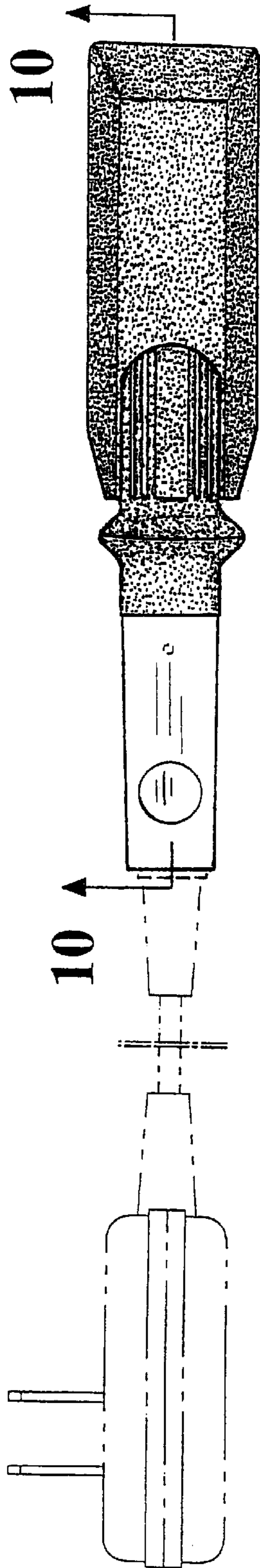


Fig. 2

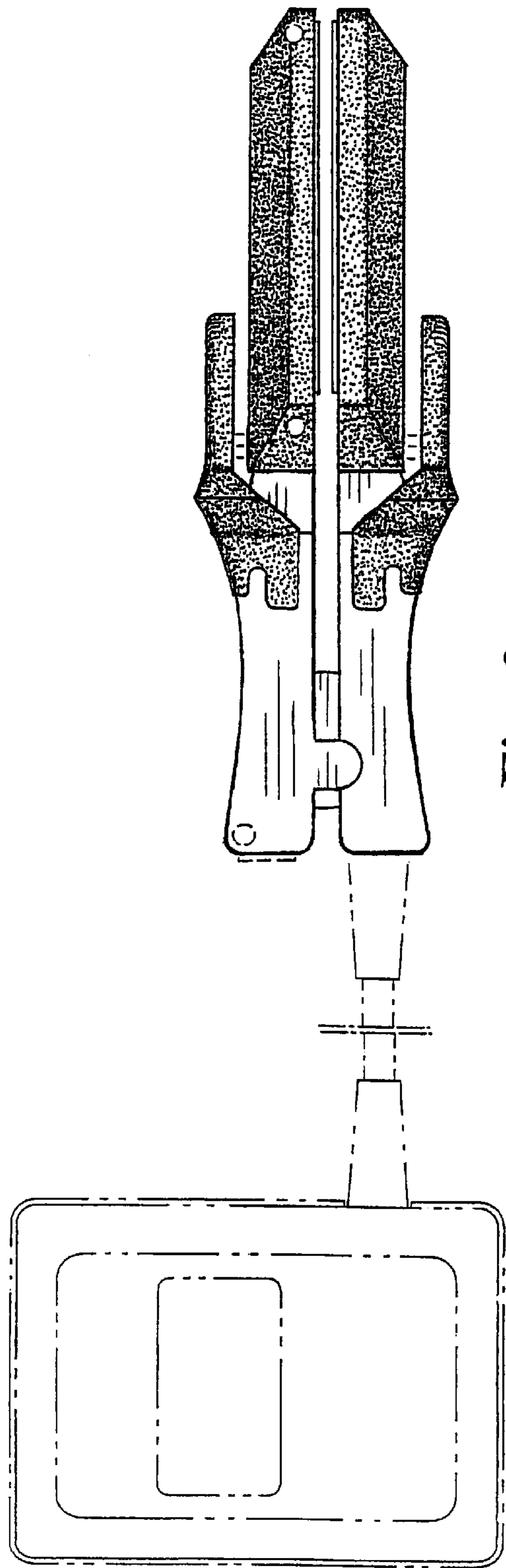


Fig. 3

Fig. 4

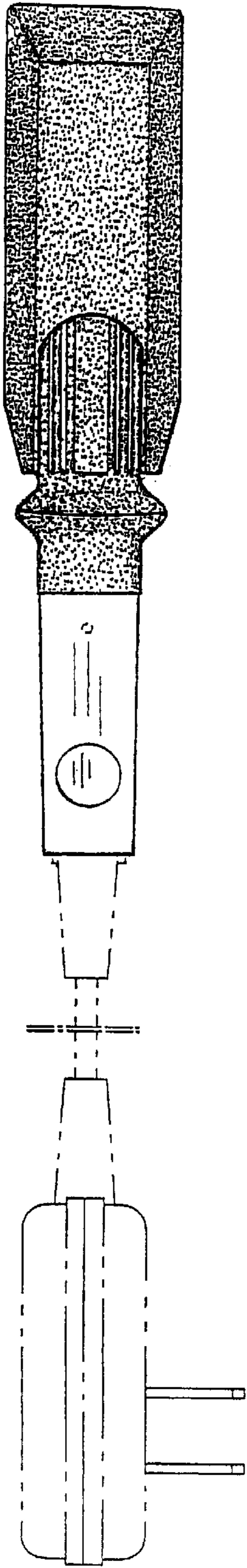
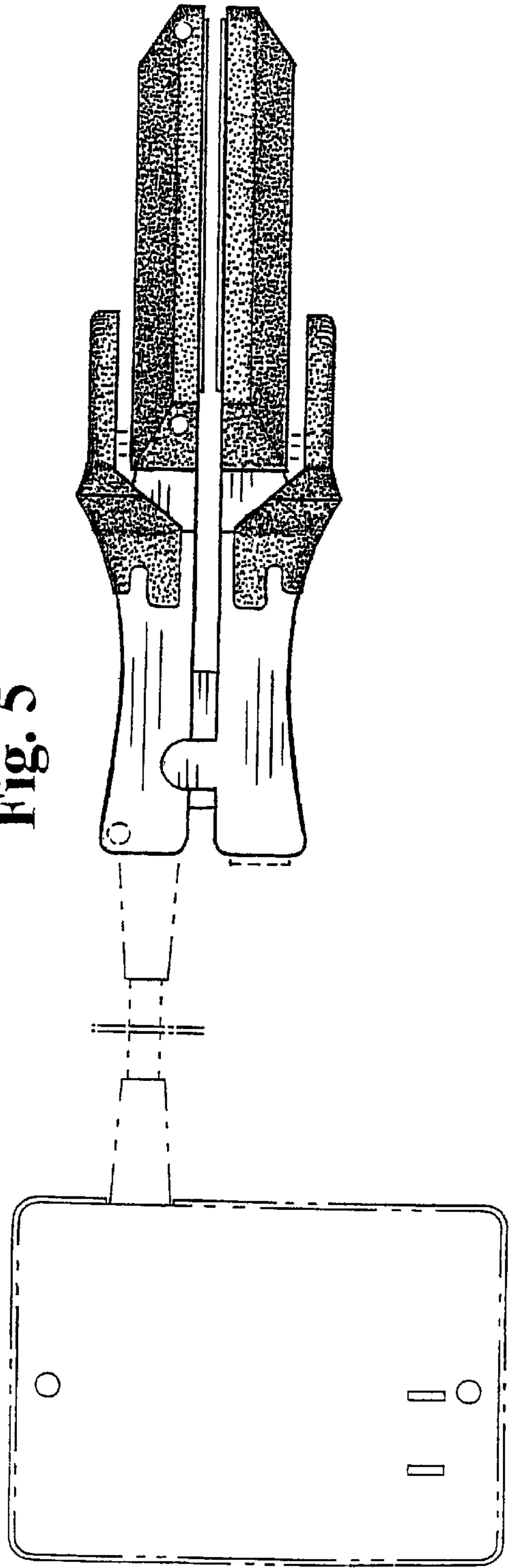


Fig. 5



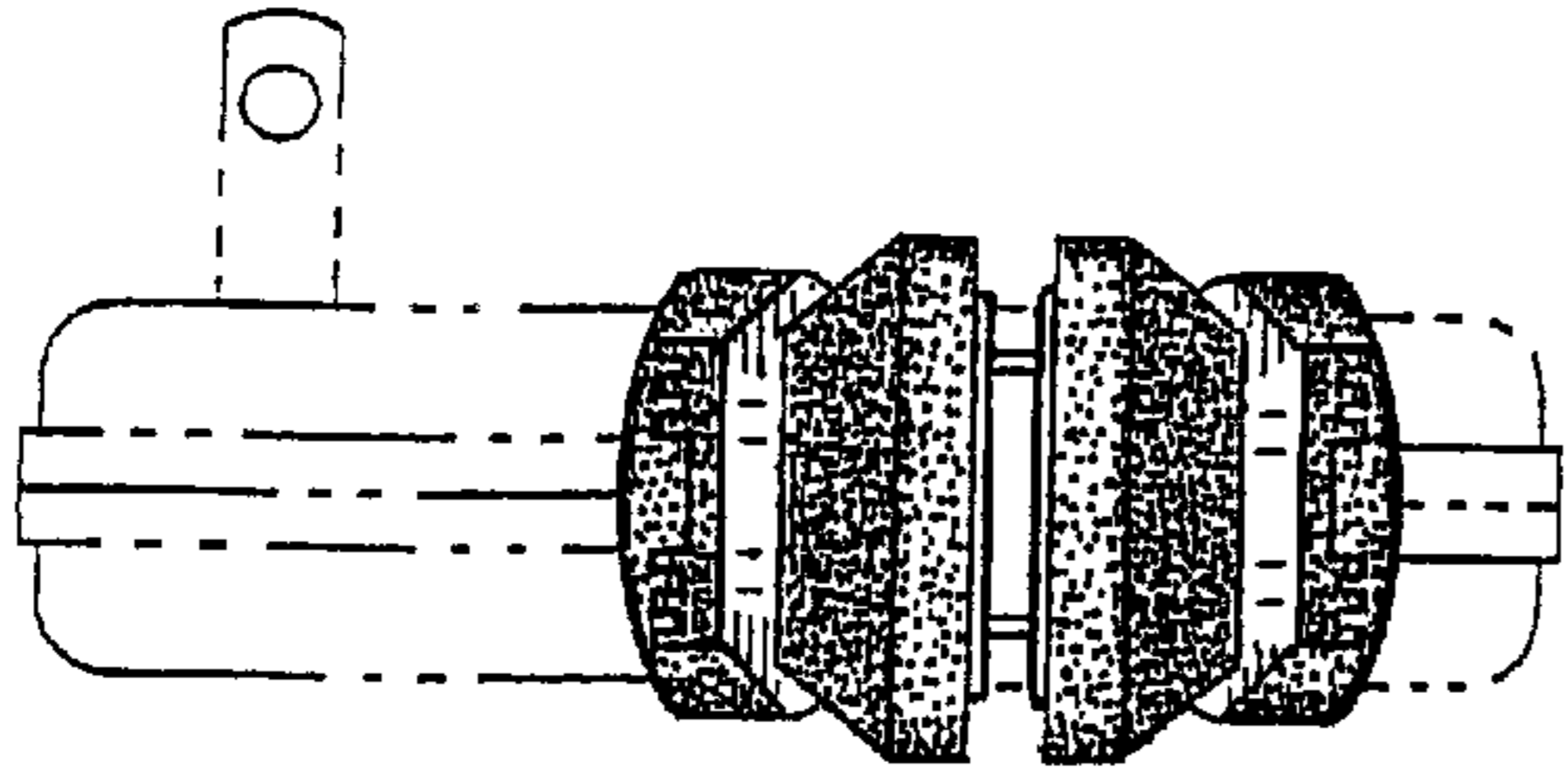


Fig. 6

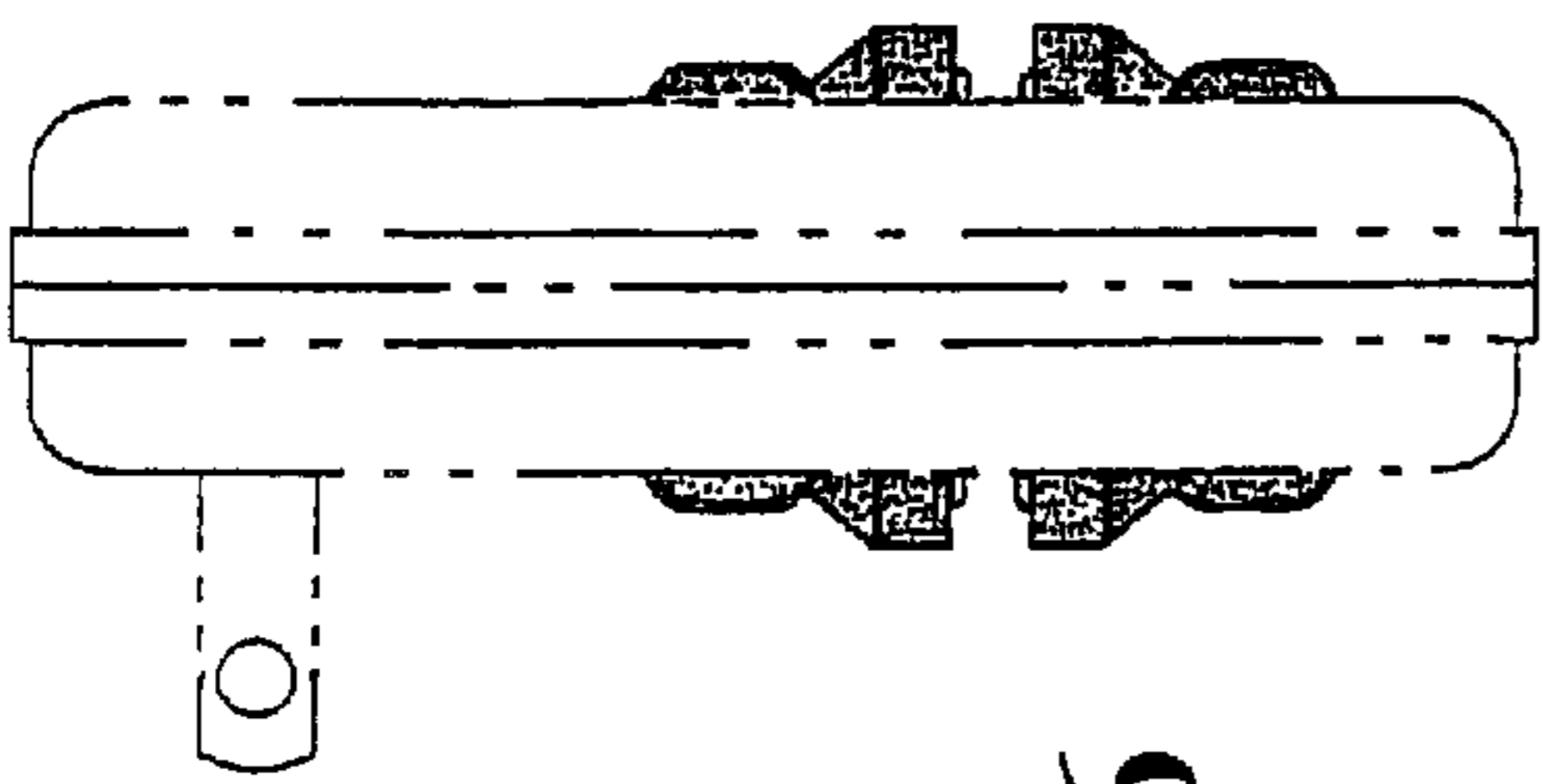


Fig. 7

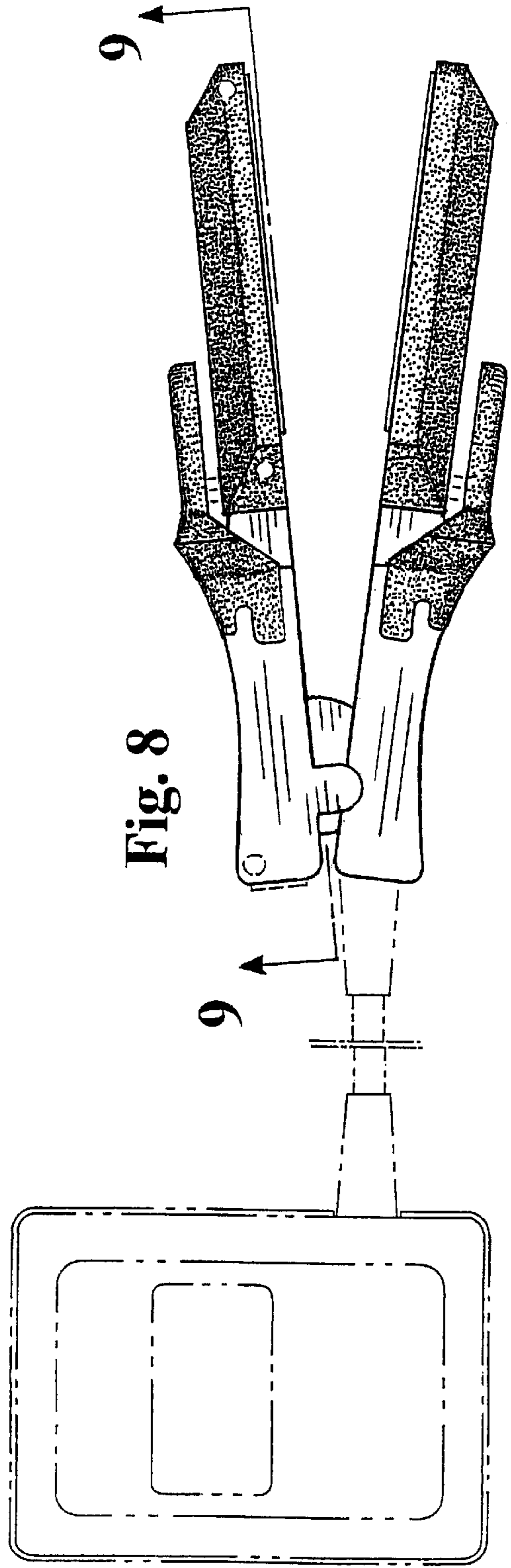


Fig. 8

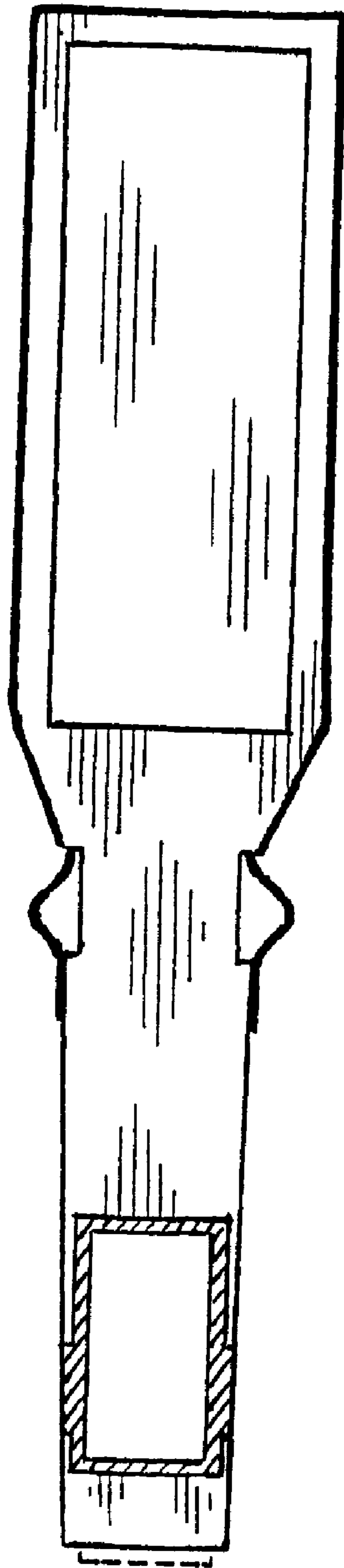


Fig. 9