



US00D433178S

United States Patent [19]

Donato

[11] **Patent Number: Des. 433,178**

[45] **Date of Patent: ** Oct. 31, 2000**

[54] **MODULAR CONSTRUCTION FOR TRACK LIGHTING FIXTURE**

[75] Inventor: **Anthony C. Donato**, Wellesley, Mass.

[73] Assignee: **Genlyte Thomas Group LLC**,
Louisville, Ky.

[**] Term: **14 Years**

[21] Appl. No.: **29/122,629**

[22] Filed: **May 1, 2000**

[51] **LOC (7) Cl.** **26-99**

[52] **U.S. Cl.** **D26/118; D26/63**

[58] **Field of Search** D26/60-66, 118;
362/267, 271, 272, 275, 276, 288, 427,
428, 429, 341, 345, 347, 349, 359, 361,
362, 374, 383, 384, 385

[56] **References Cited**
PUBLICATIONS

Lighting Services Inc. condensed catalog, Nov. 1988, p. 13,
"barndoor" reflector.
Max Hologen lights catalog, Jul. 1989, p. 2, spotlight #
TR17.

Primary Examiner—Susan J. Lucas
Attorney, Agent, or Firm—Middleton & Reutlinger; Jeffrey
A. Haeberlin

[57] **CLAIM**

I claim the ornamental design for a modular construction for track lighting fixture, as shown and described.

DESCRIPTION

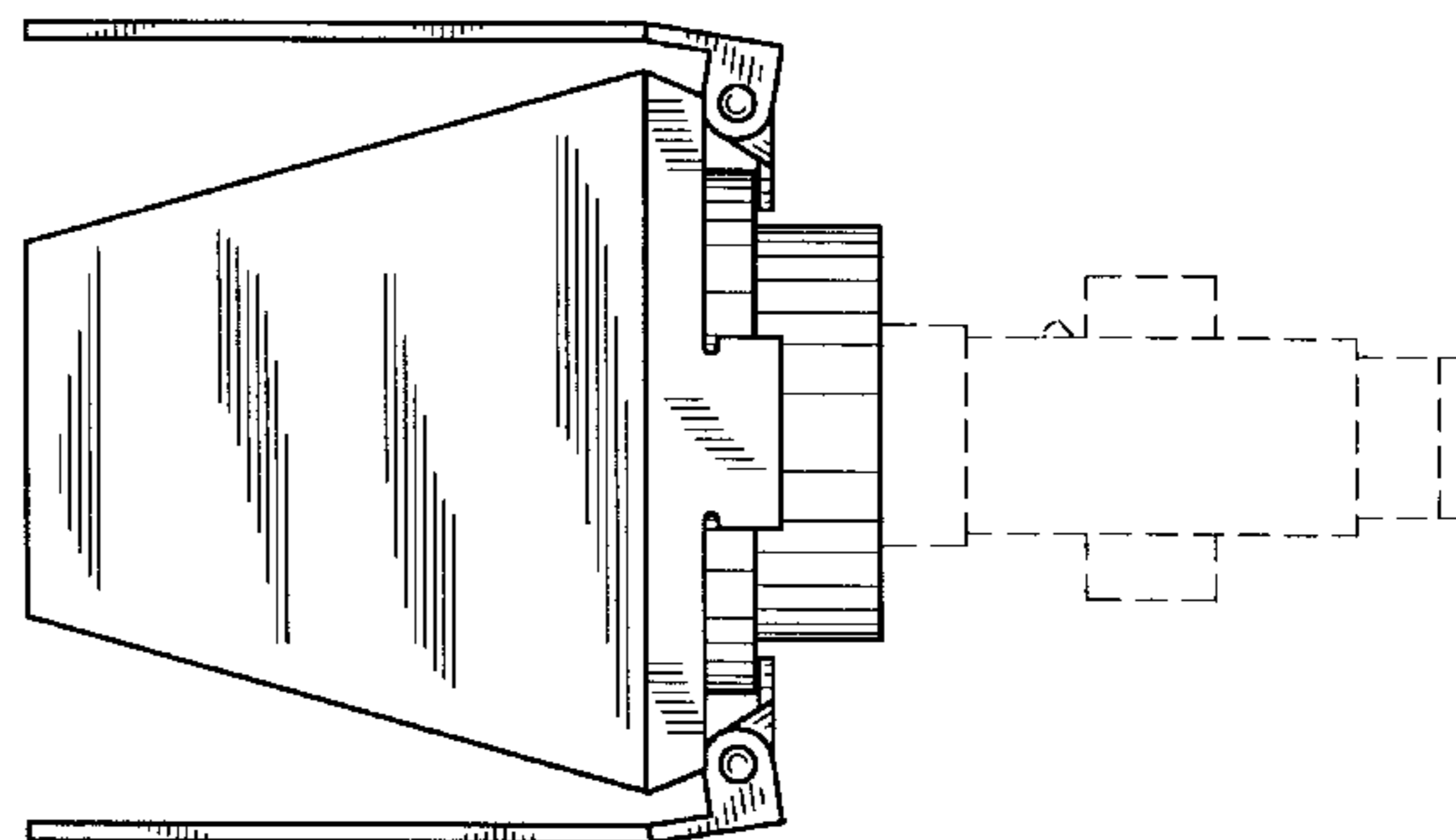
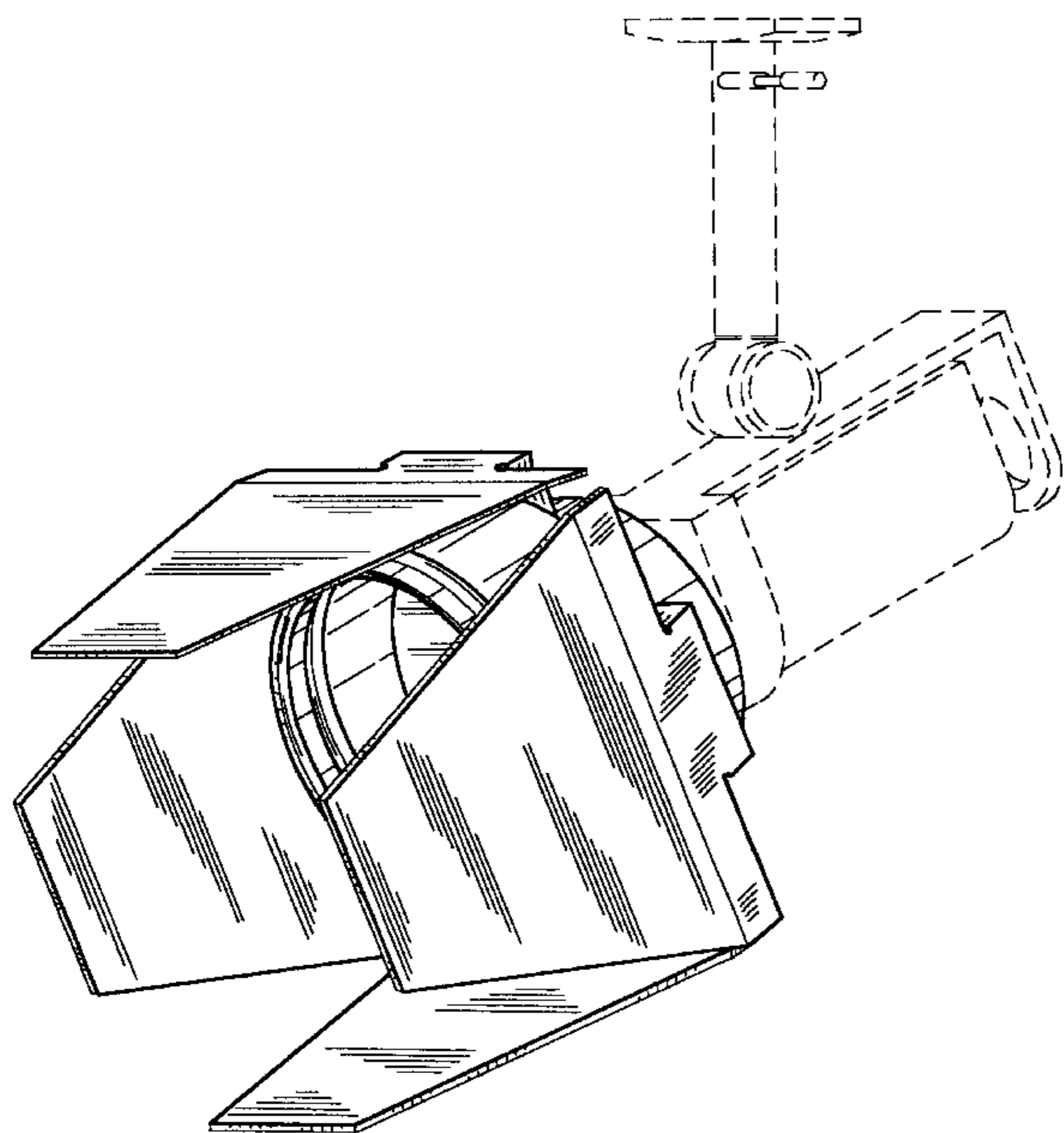
FIG. 1 is a front isometric view of the modular construction for track lighting fixture of the invention;

FIG. 2 is a rear isometric view of the modular construction for track lighting fixture of FIG. 1; and,

FIG. 3 is a bottom plan view of the modular construction for track lighting fixture of FIG. 1.

The broken lines shown in FIGS. 1-3 are for illustrative purposes only and form no part of the claimed design.

1 Claim, 3 Drawing Sheets



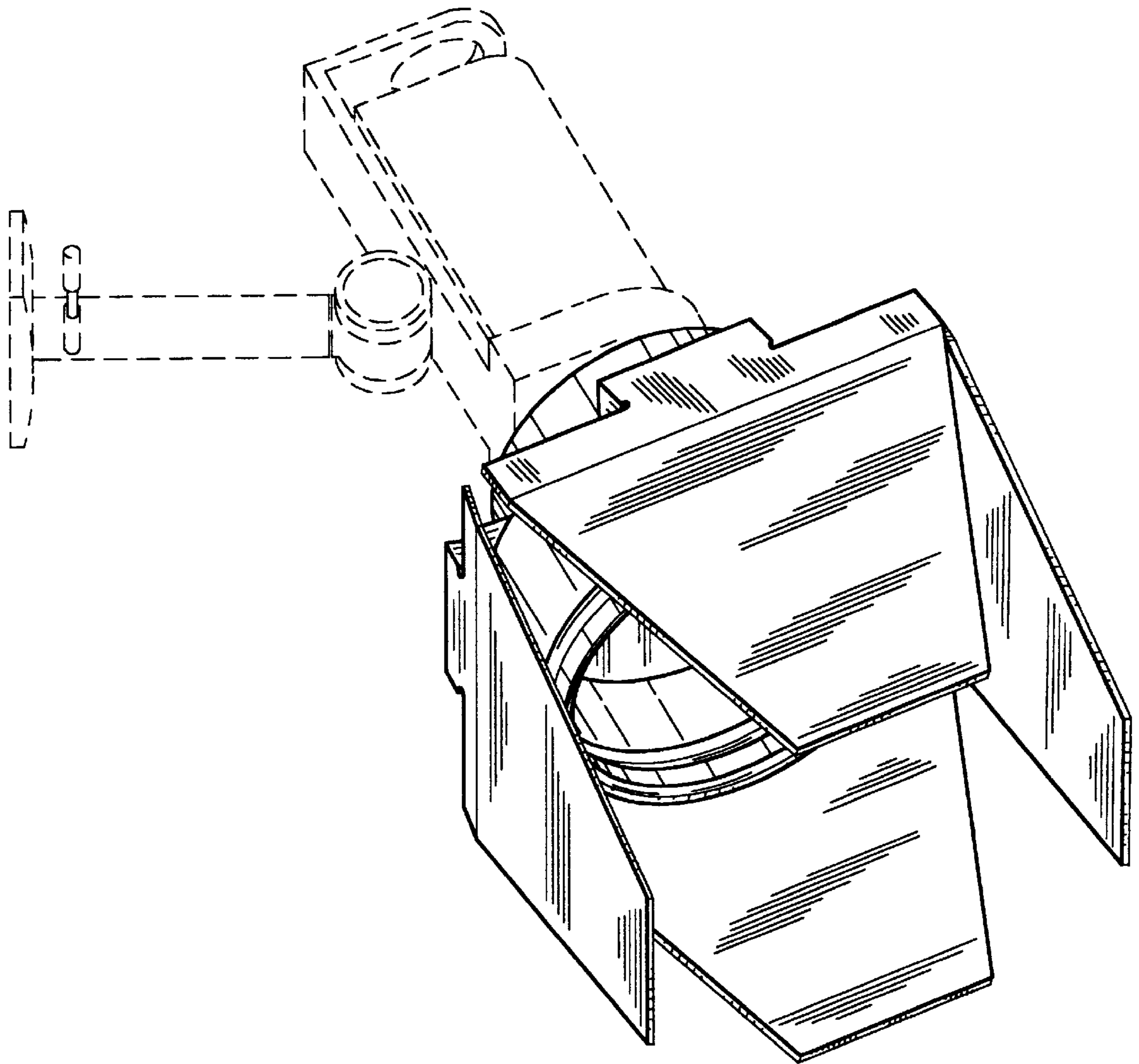


FIG. 1

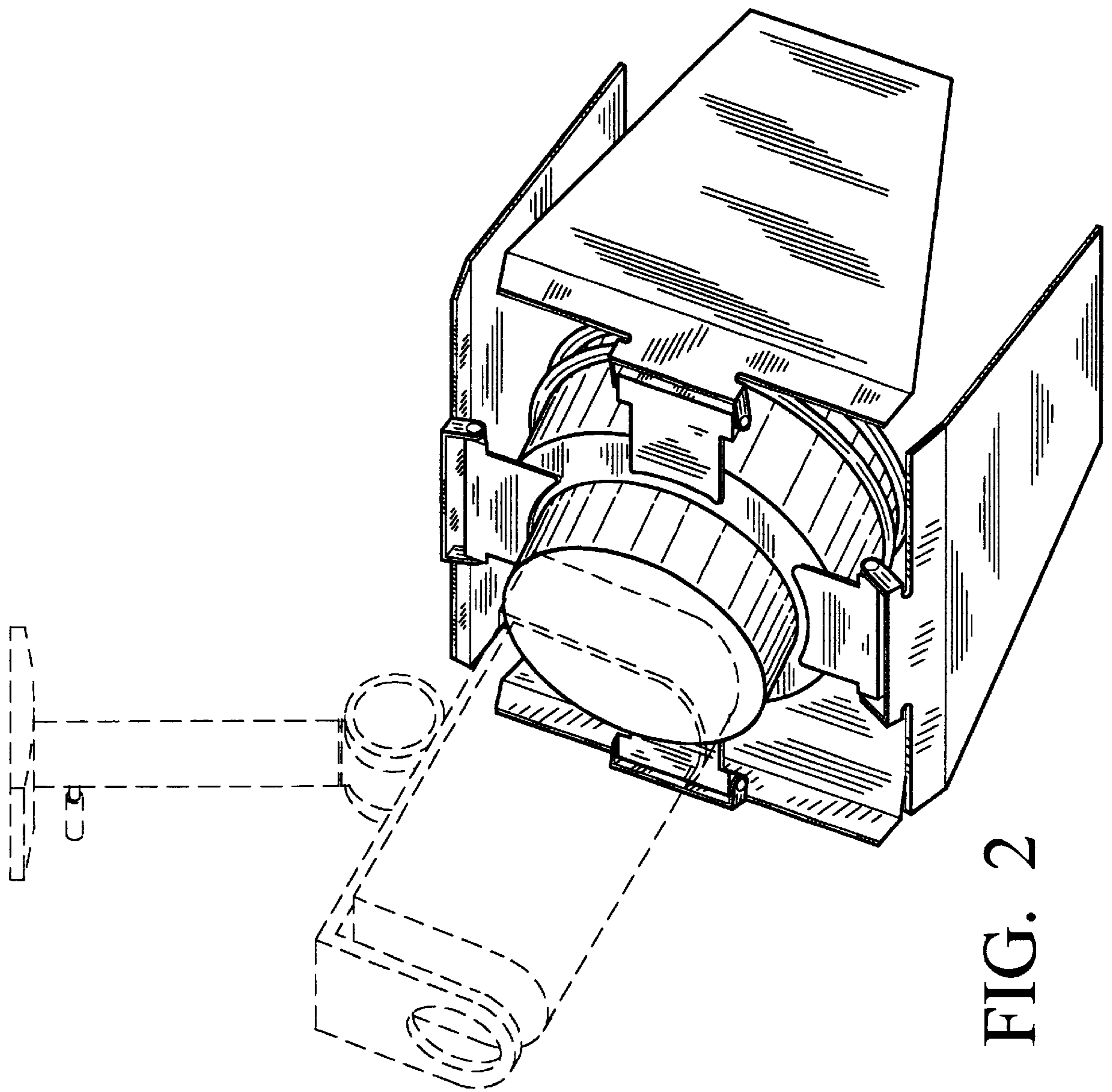


FIG. 2

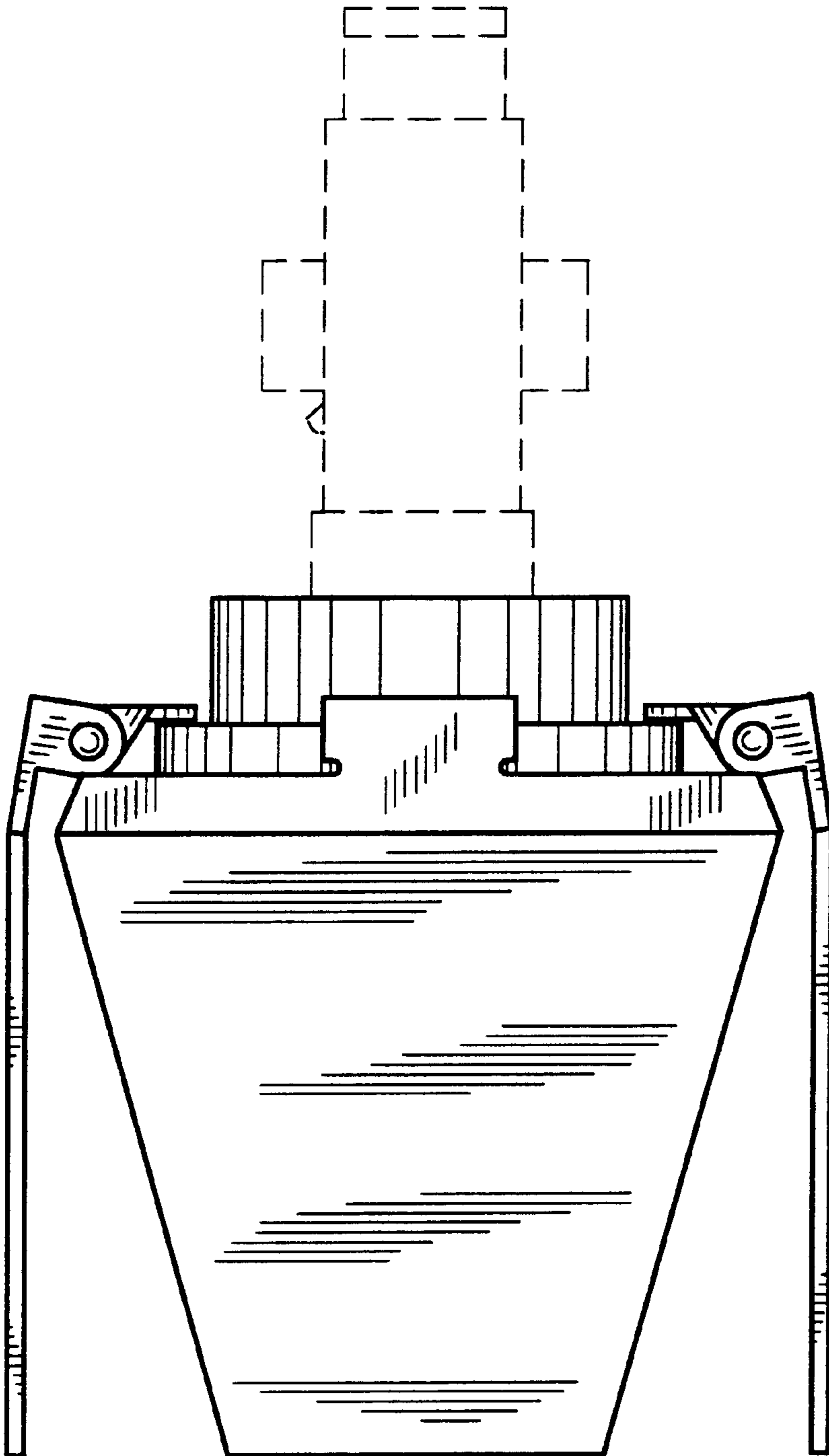


FIG. 3