



US00D433175S

United States Patent [19] Basseches

[11] **Patent Number: Des. 433,175**

[45] **Date of Patent: ** Oct. 31, 2000**

[54] **STACKING LAMP**

[75] Inventor: **Stuart Basseches**, 97 Fifth Ave., Apt. 4A, New York, N.Y. 10003

[73] Assignee: **Stuart Basseches**, New York, N.Y.

[**] Term: **14 Years**

[21] Appl. No.: **29/116,818**

[22] Filed: **Jan. 12, 2000**

[51] **LOC (7) Cl.** **26-03**

[52] **U.S. Cl.** **D26/112**

[58] **Field of Search** D26/11, 67-69, D26/93, 104, 106, 108, 110; 362/410-414, 431, 806, 362, 190, 186

[56] **References Cited**

U.S. PATENT DOCUMENTS

D. 174,398	4/1955	Reachi	D26/111
D. 199,583	11/1964	Rogers, Jr.	D26/11
D. 257,898	1/1981	Scholze et al.	D26/93
D. 257,901	1/1981	Scholze et al.	D26/93
5,521,595	5/1996	Totten et al.	362/186

Primary Examiner—Alan P. Douglas
Assistant Examiner—Linda Brooks
Attorney, Agent, or Firm—Mark Basseches

[57] **CLAIM**

The ornamental design for a stacking lamp, as shown and described.

DESCRIPTION

FIG. 1 is a side elevational view of the stacking lamp (the opposite side of the lamp being identical).

FIG. 2 is a top plan view of the lamp.

FIG. 3 is a bottom plan view of the lamp.

FIG. 4 is a magnified vertical section taken on the line 4—4 of FIG. 1

FIG. 5 is a magnified fragmentary side elevational view of a segment of the screen component of FIG. 1 illustrating the moire appearance deriving from the spaced screens of the upper portion of the lamp; and,

FIG. 6 is a side elevational view of a second embodiment of my new design, the only difference being the removal of one of the stacking rings.

1 Claim, 4 Drawing Sheets

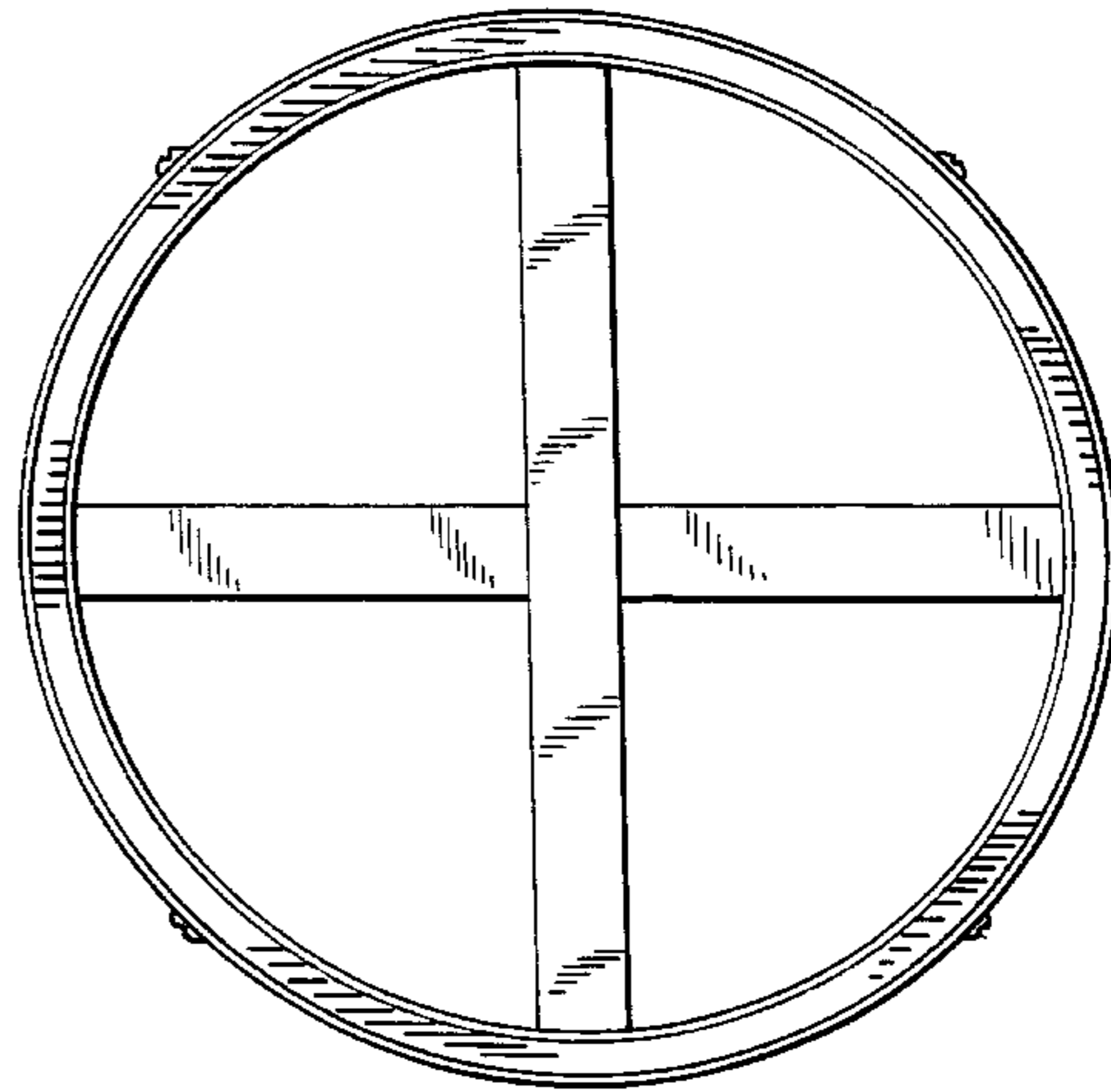
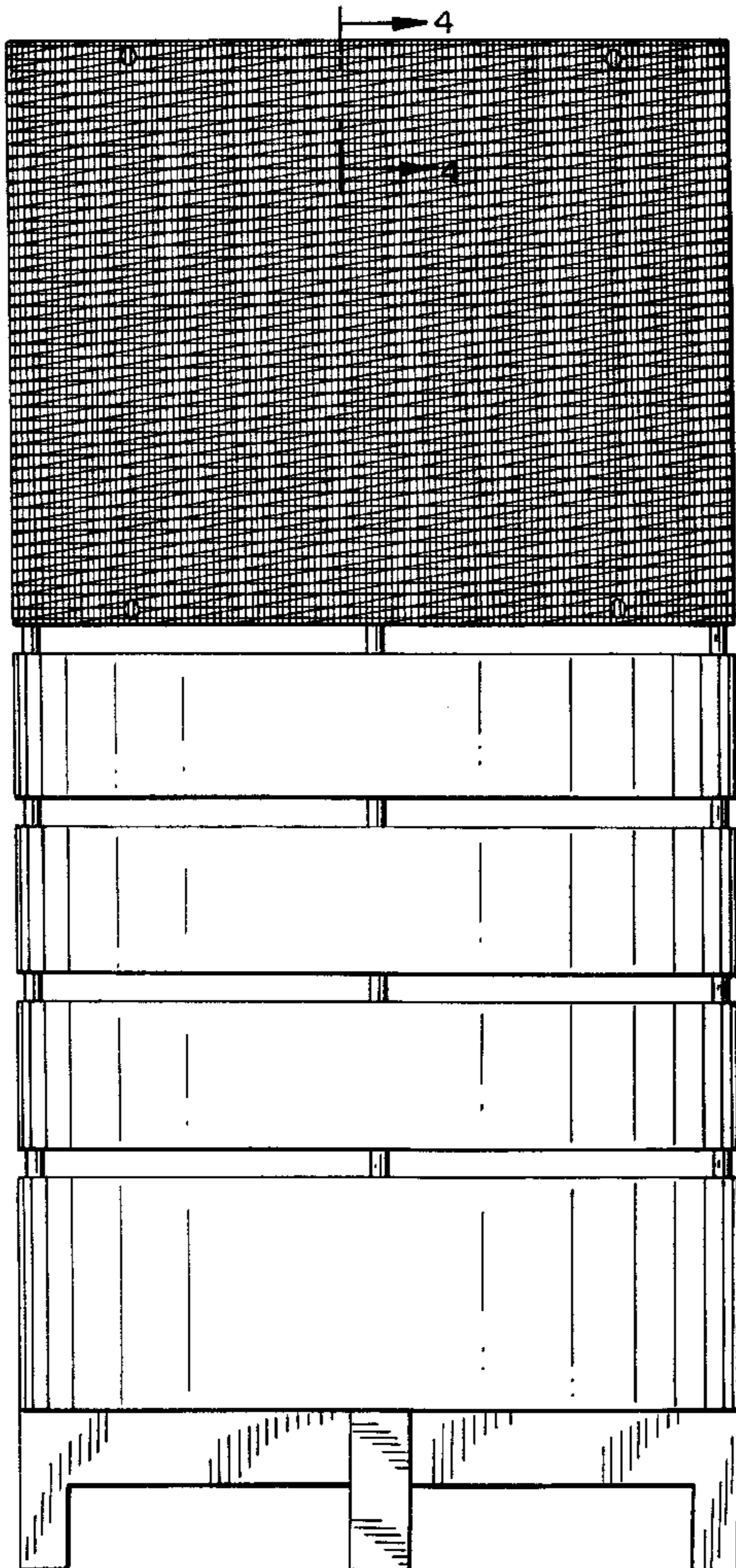


FIG. 1

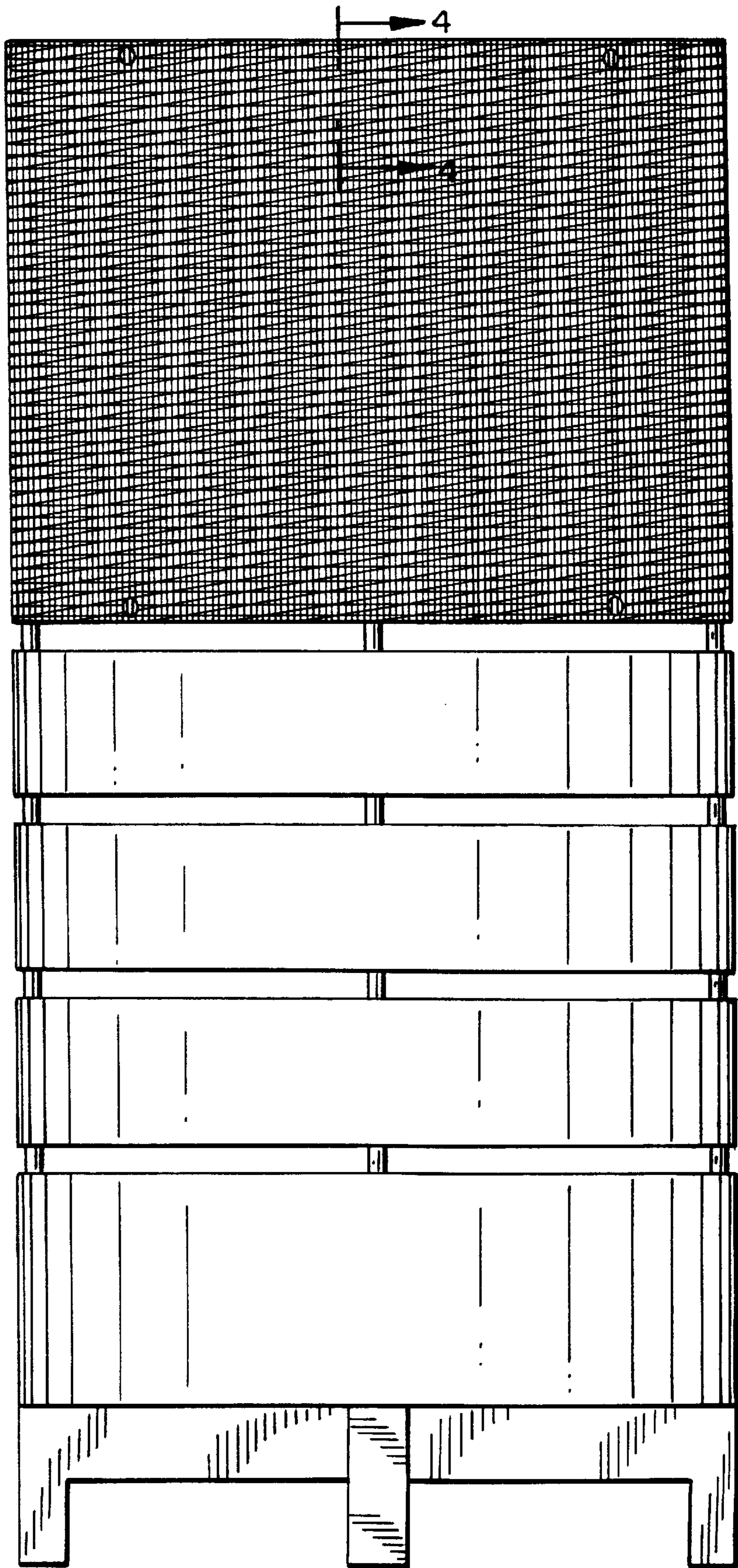


FIG. 2

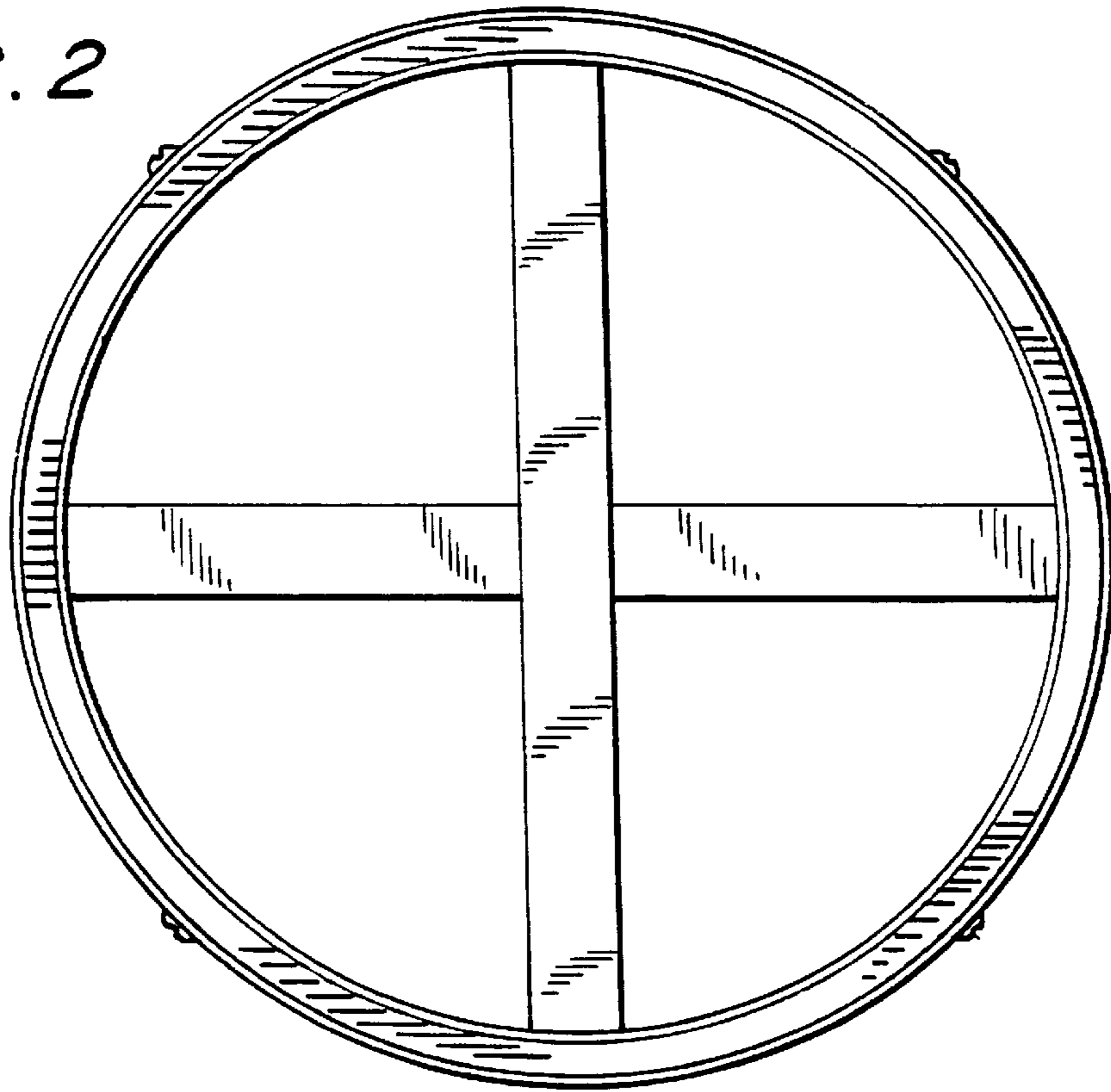
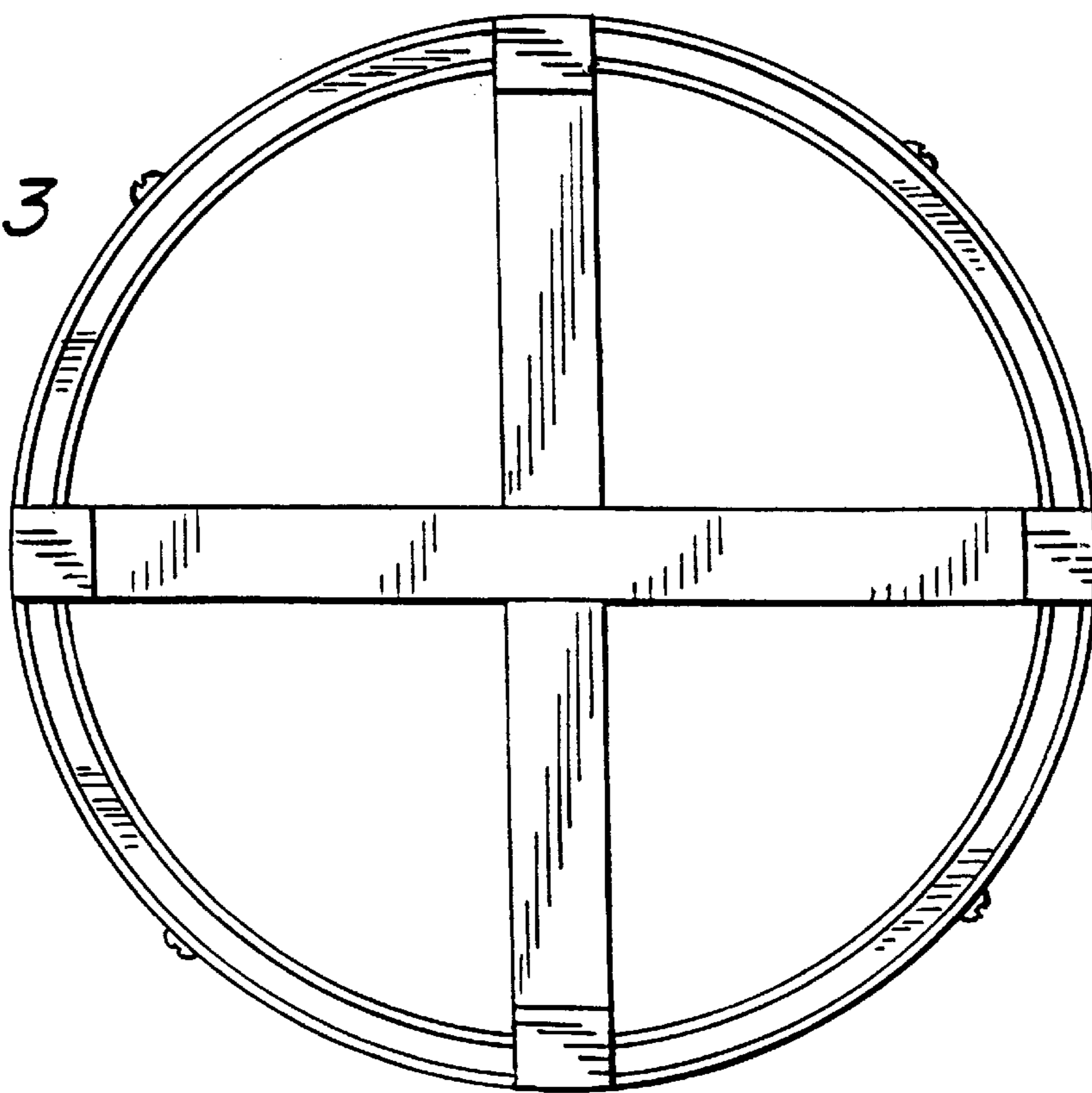


FIG. 3



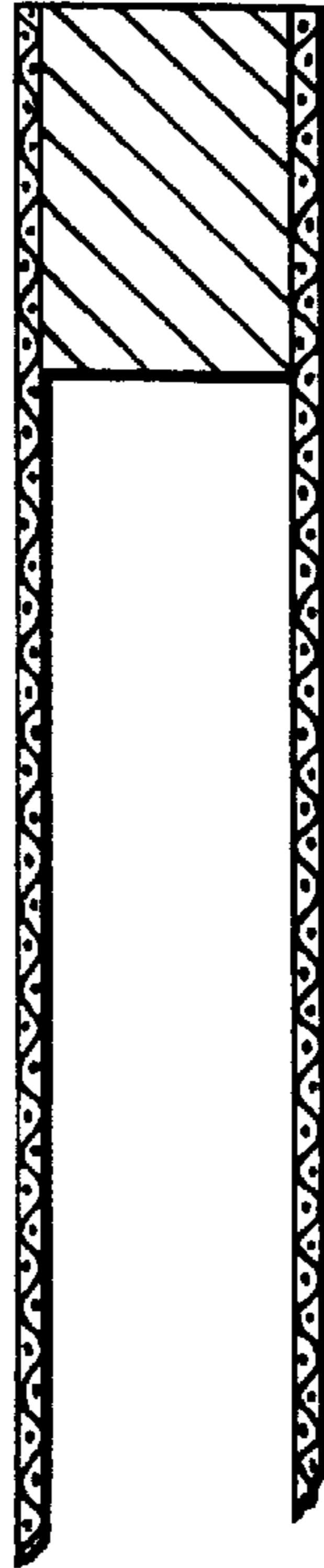


FIG. 4

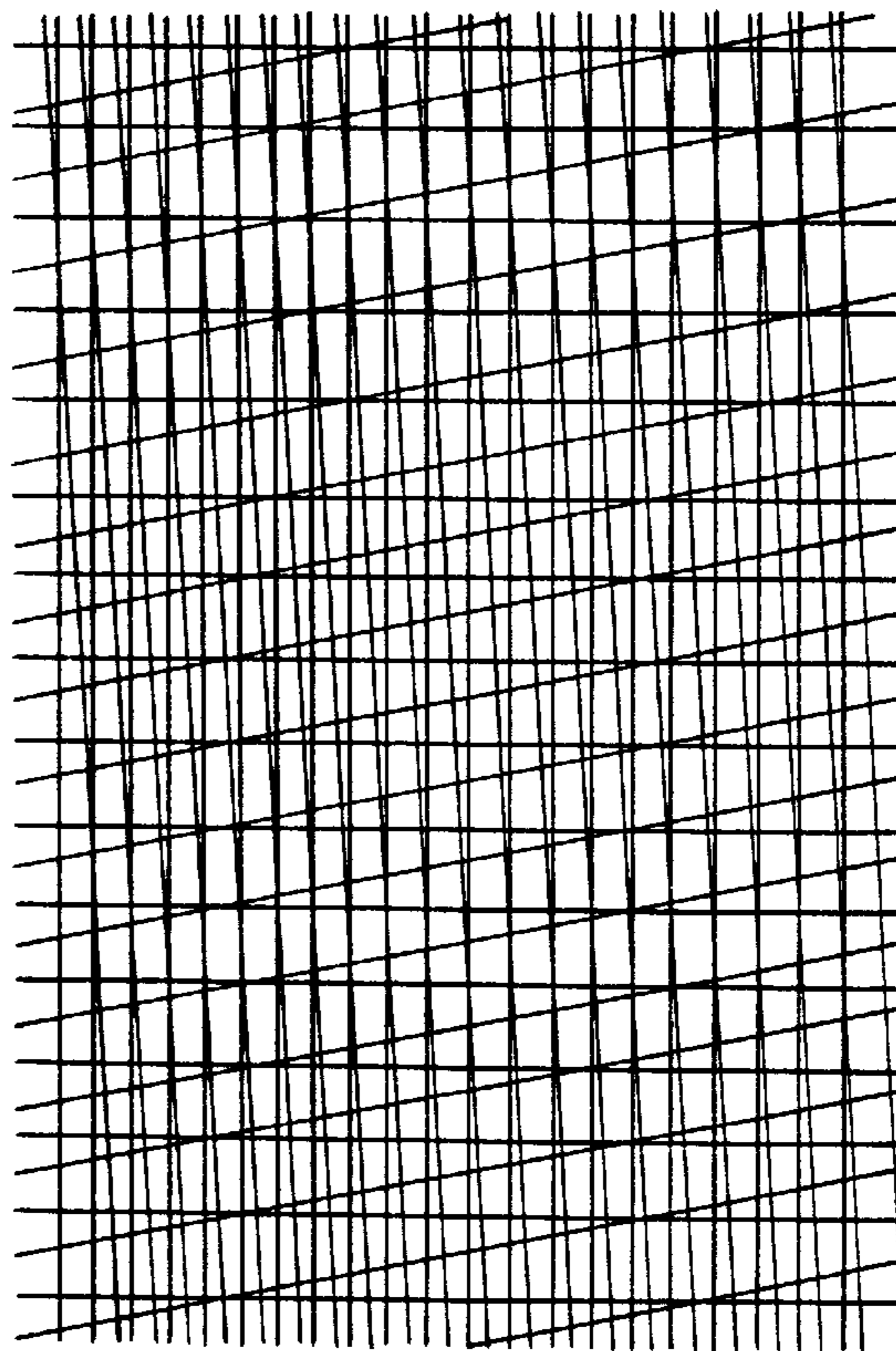


FIG. 5

FIG. 6

