



US00D433173S

United States Patent [19]
Kracke

[11] **Patent Number: Des. 433,173**

[45] **Date of Patent: ** Oct. 31, 2000**

[54] **LAMP**
[76] Inventor: **Donald R. Kracke**, P.O. Box 3006,
Blue Jay, Calif. 92317-3006
[**] Term: **14 Years**
[21] Appl. No.: **29/105,708**
[22] Filed: **May 28, 1999**
[51] **LOC (7) Cl.** **26-03**
[52] **U.S. Cl.** **D26/94**
[58] **Field of Search** D26/57, 67, 93,
D26/94, 125, 146, 147, 156; 362/410-414,
431, 433, 806; D6/450; D8/387; D11/131

Machine Design Fasteners Book Issue, Penton Publishing Co., New York, threaded screws at left side of p. 14, Mar. 1963.
Sweet's Fastening File, screws at top of p. 161, 1969.

Primary Examiner—Alan P. Douglas
Assistant Examiner—Linda Brooks
Attorney, Agent, or Firm—Kelly Bauersfeld Lowry & Kelley, LLP

[57] **CLAIM**

The ornamental design for a lamp, as shown and described.

DESCRIPTION

FIG. 1 is a front and left side perspective view of a lamp embodying my new design, wherein an exemplary base is shown in broken lines for purposes of illustration only and forms no part of the claimed design;
FIG. 2 is a rear elevational view thereof;
FIG. 3 is a front elevational view thereof;
FIG. 4 is a left side elevational view thereof; the right side elevational view being a mirror image;
FIG. 5 is a top plan view thereof; and,
FIG. 6 is a bottom plan view thereof.

[56] **References Cited**
U.S. PATENT DOCUMENTS
D. 365,040 12/1995 Whitman D11/131
1,541,518 6/1925 McCain 411/409 X
OTHER PUBLICATIONS
Home Lighting & Accessories, right-most Hampton Brass lamp standard, p. 242, Jun. 1997.
Home Lighting & Accessories, lamp standards on p. 268, Dec. 1997.

1 Claim, 2 Drawing Sheets

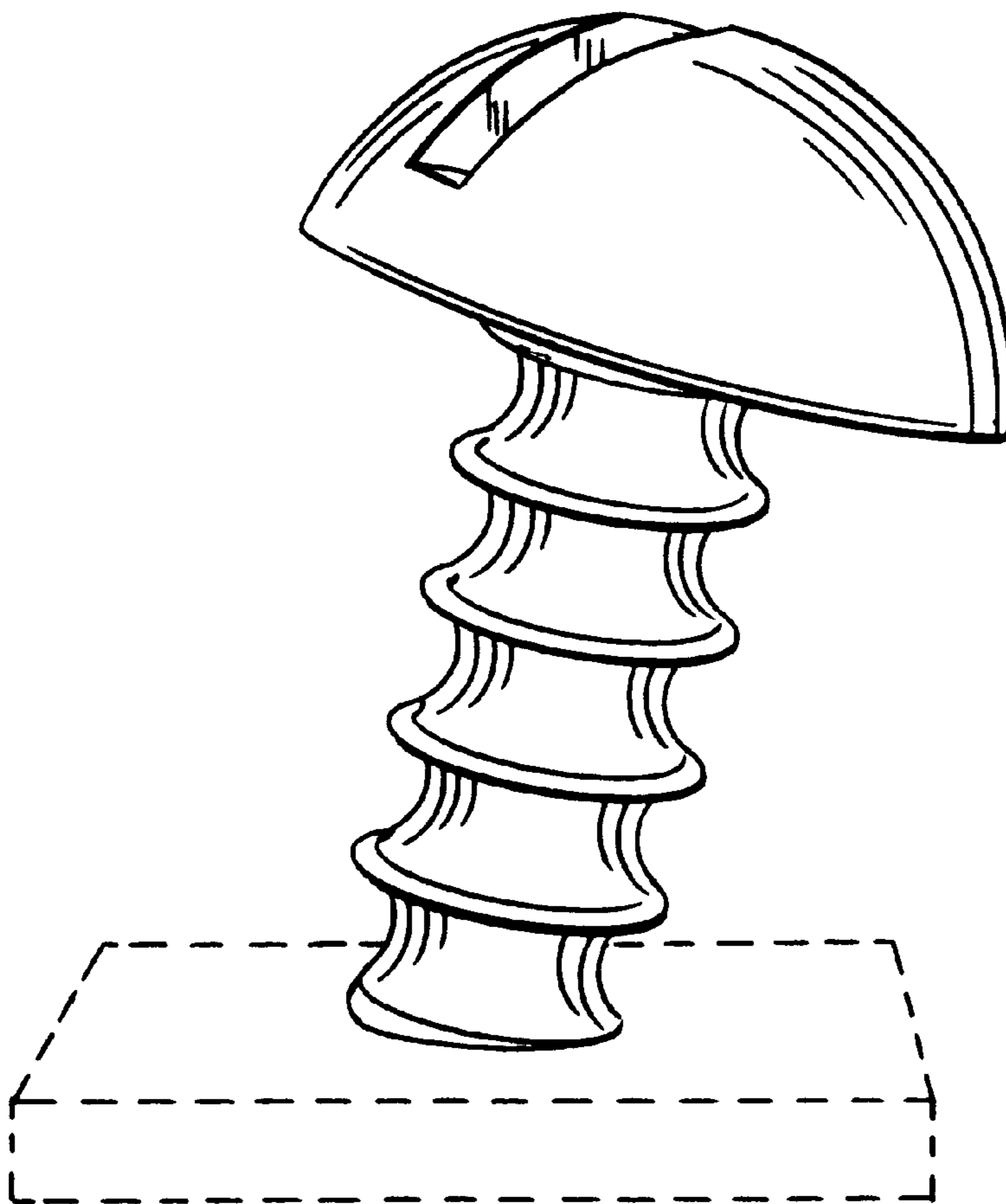


FIG. 1

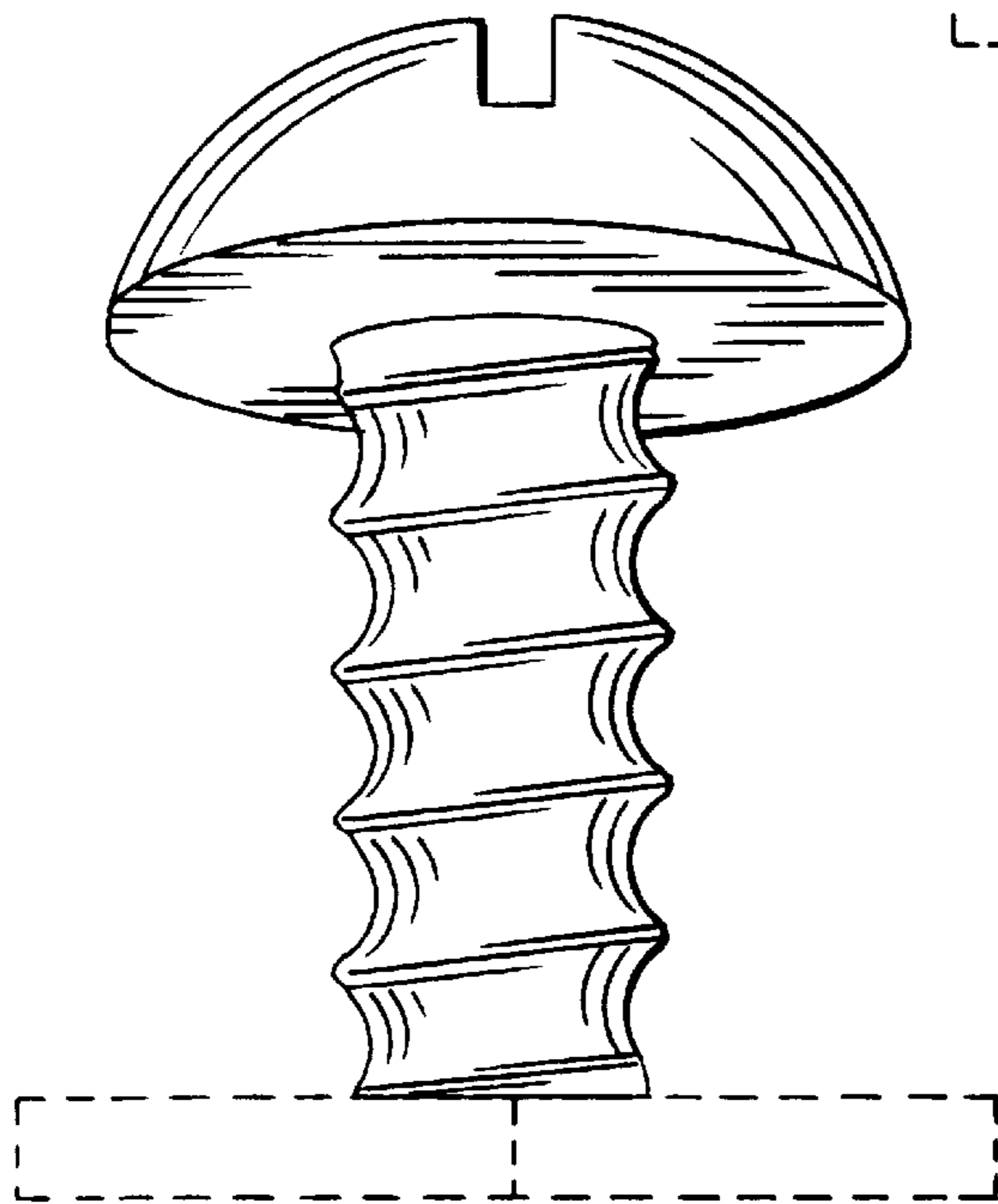
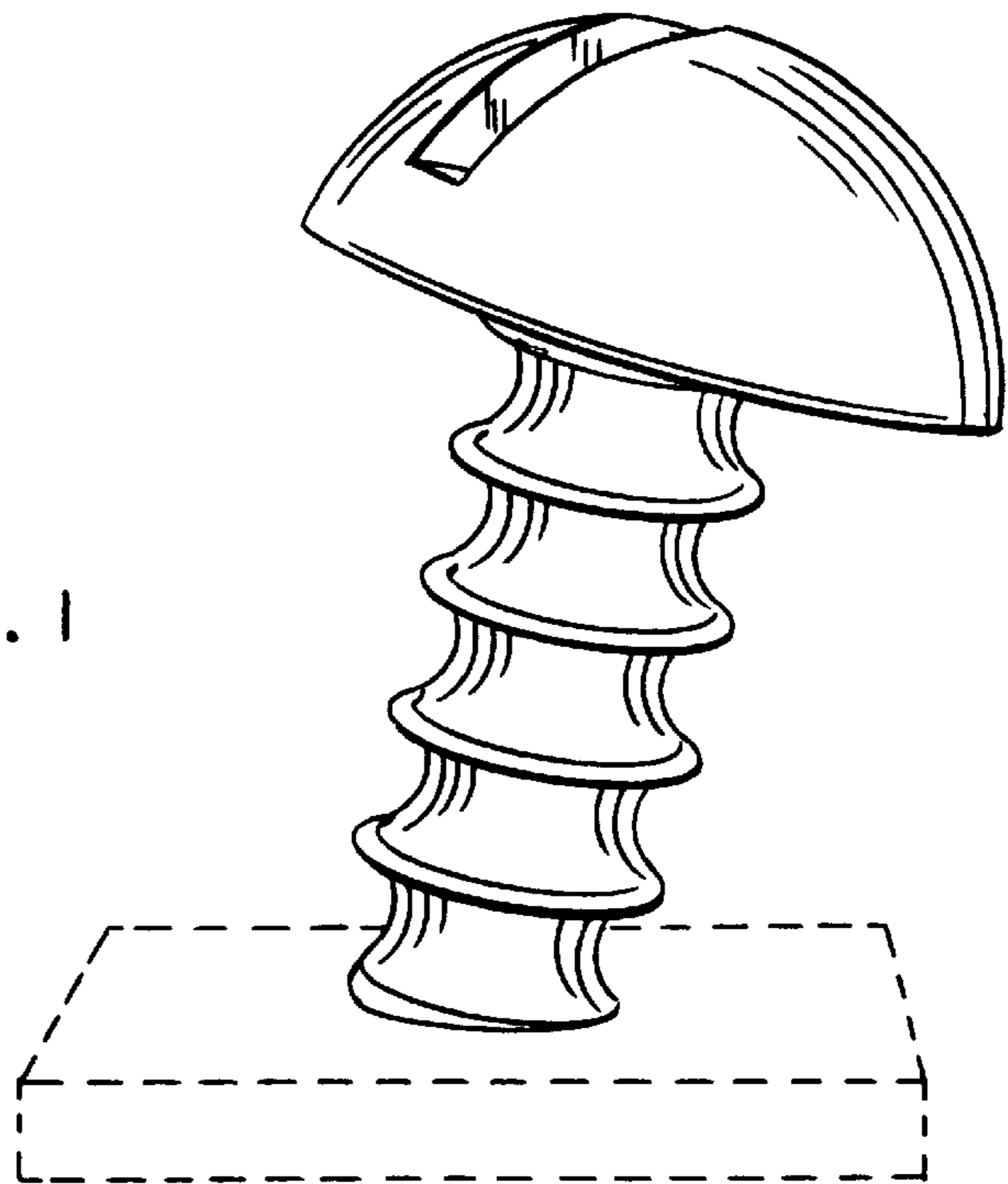


FIG. 2

FIG. 3

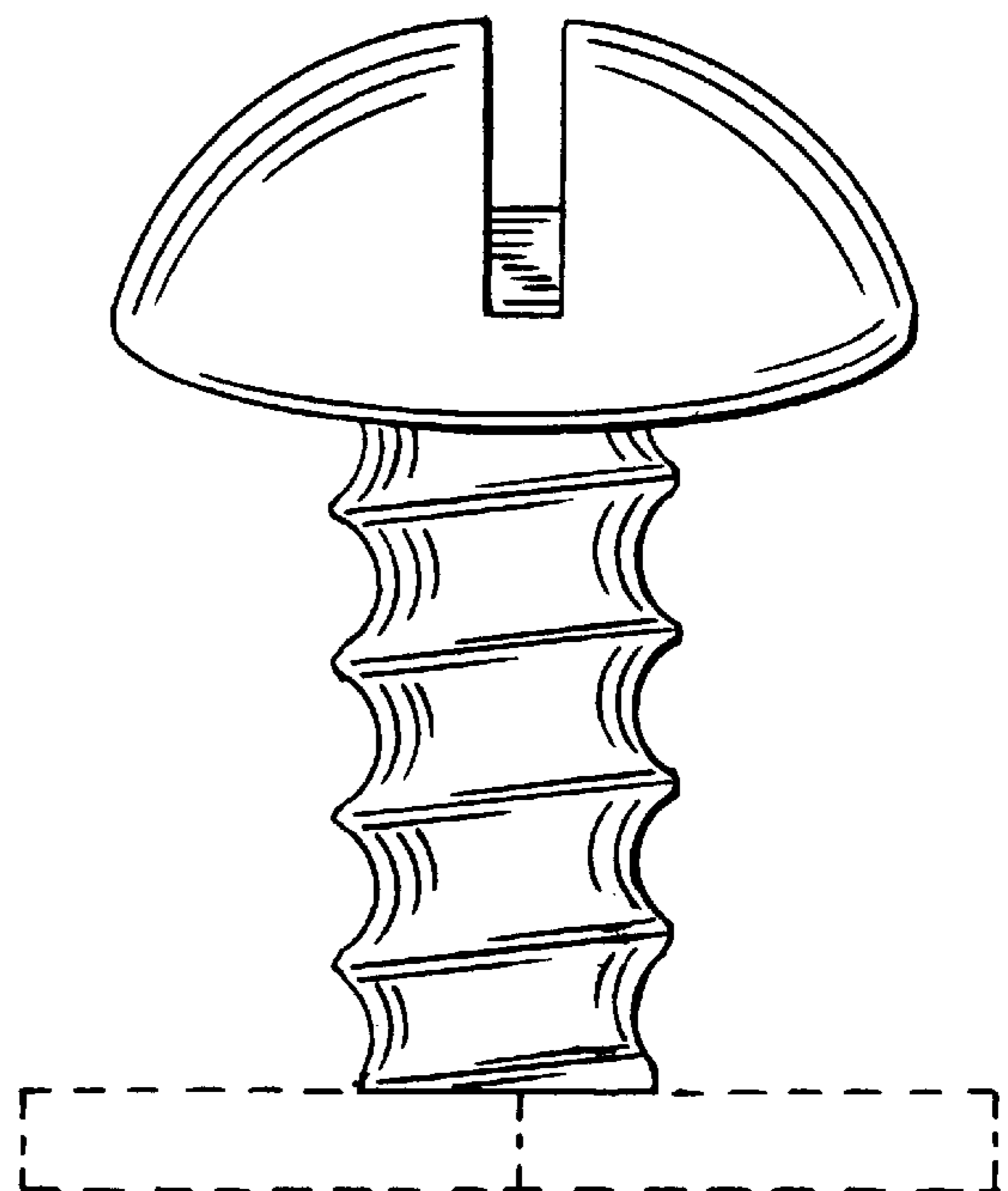


FIG. 4

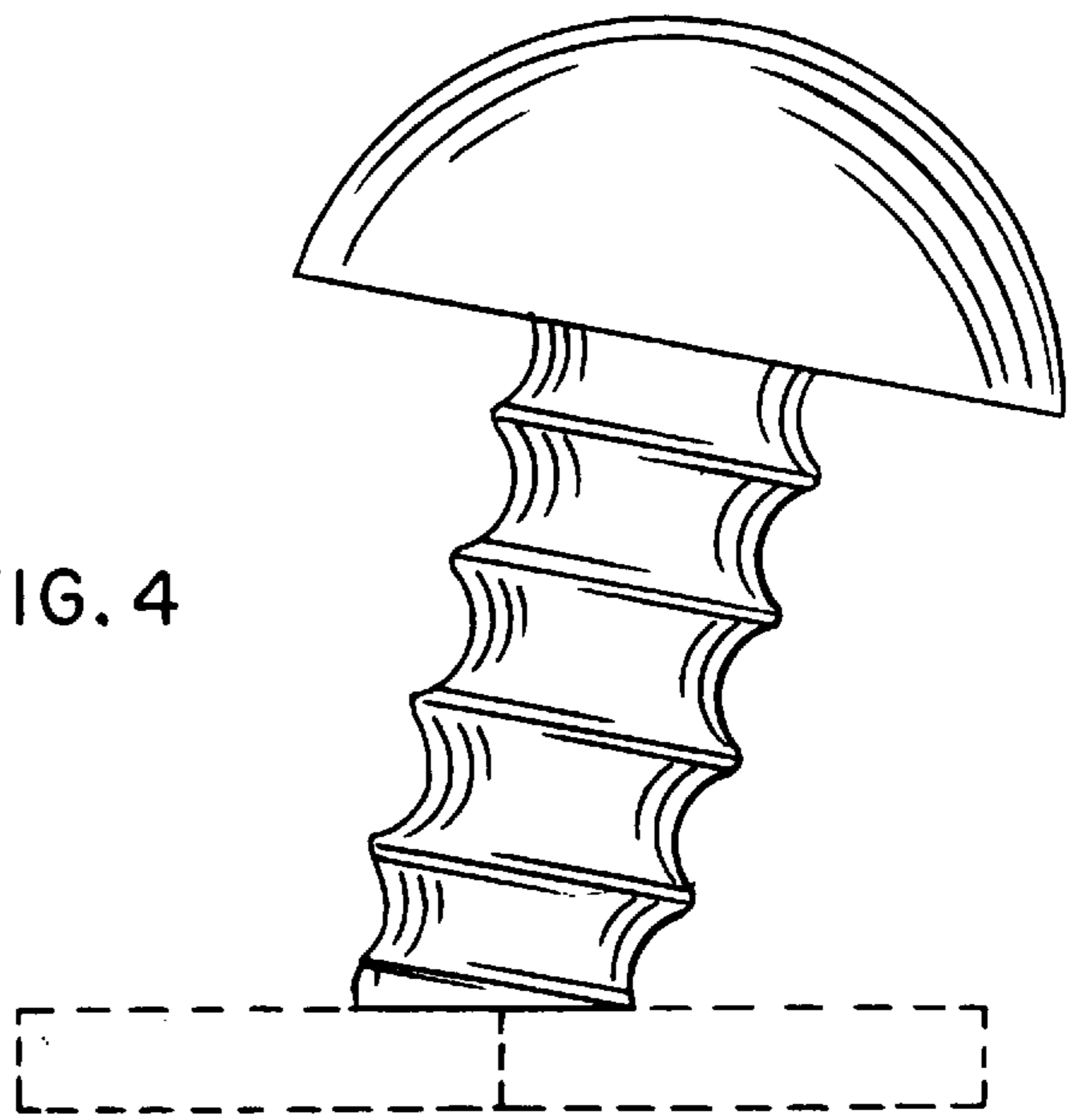


FIG. 5

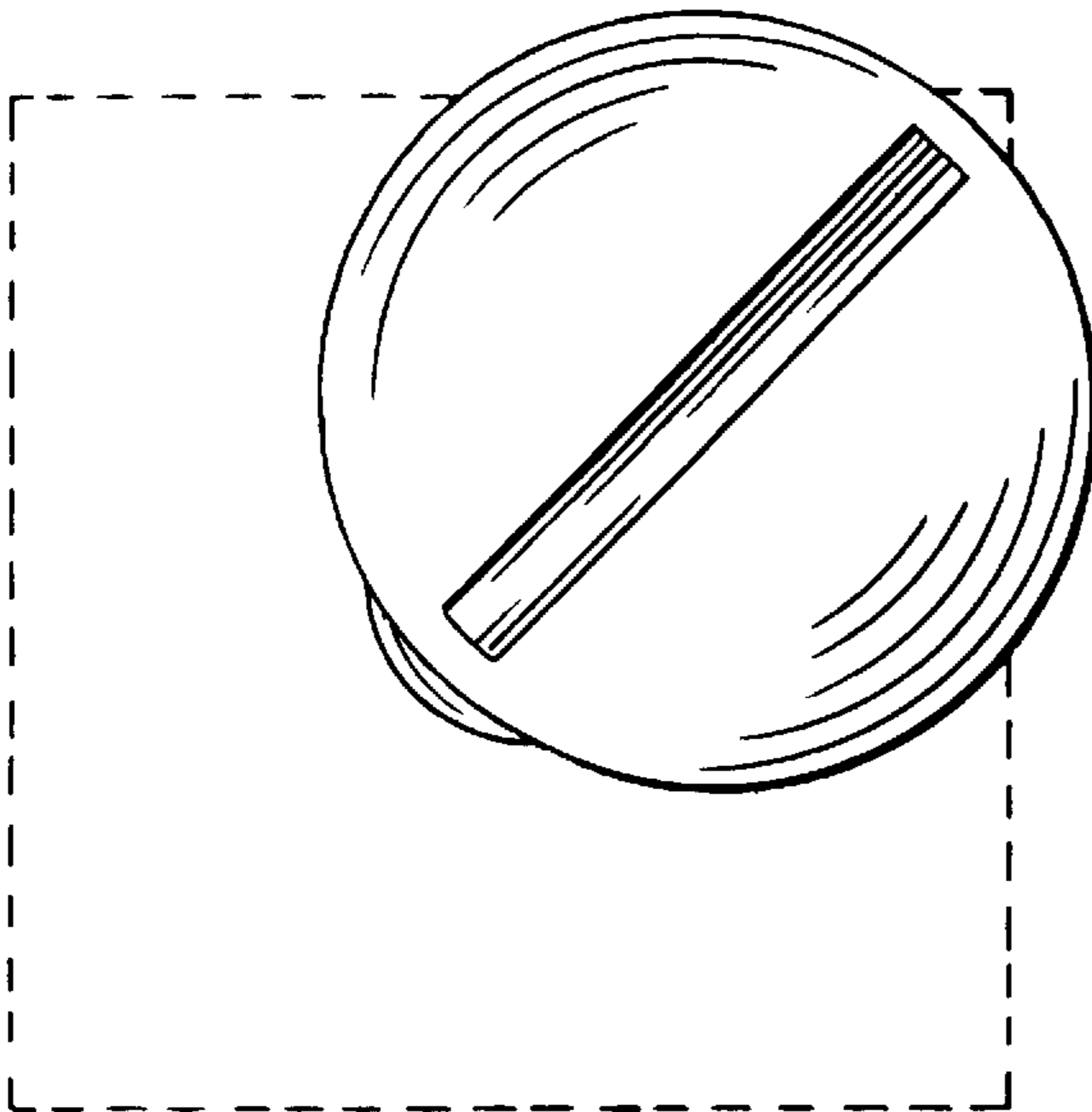


FIG. 6

