



US00D433171S

# United States Patent [19]

[11] **Patent Number: Des. 433,171**

**Petterson et al.**

[45] **Date of Patent: \*\* Oct. 31, 2000**

[54] **FLASHLIGHT**

[75] Inventors: **Tor H. Petterson**, Rancho Palos Verdes, Calif.; **James U. Neyer**, Middleton, Wis.; **Charles P. Davis**, Torrance, Calif.

[73] Assignee: **Rayovac Corporation**, Madison, Wis.

[\*\*] Term: **14 Years**

[21] Appl. No.: **29/098,831**

[22] Filed: **Jan. 6, 1999**

[51] **LOC (7) Cl.** ..... **26-02**

[52] **U.S. Cl.** ..... **D26/49**

[58] **Field of Search** ..... D26/37-50; 362/157, 362/158, 183-208

### [56] **References Cited**

#### U.S. PATENT DOCUMENTS

D. 280,028	8/1985	Petterson .	
D. 320,463	10/1991	Petterson et al. .	
D. 356,175	3/1995	Yau .....	D26/49
D. 360,045	7/1995	Inukai .....	D26/49
D. 378,434	3/1997	Petterson et al. .	
D. 401,372	11/1998	Yau et al. .	
D. 411,023	6/1999	Yau .....	D26/49
D. 420,457	2/2000	Breit .....	D26/49
5,541,822	7/1996	Bamber .	
5,741,062	4/1998	Man .	

#### OTHER PUBLICATIONS

“Rayovac® Swivel-Lite# Hands-Free Worklight” —Rayovac Corporation—1998.  
 Swivel-Lite™ —Rayovac Corporation prior to Jan. 6, 1999. Design Patent Application, Serial No. 29/092,822 prior to Jan. 6, 1999.  
 Exhibit A—“Rayovac Industrial flashlight front view” prior to Jan. 6, 1999.  
 Exhibit B—“Rayovac Industrial flashlight side view” prior to Jan. 6, 1999.  
 Exhibit C—“Bright Star flashlight front view” prior to Jan. 6, 1999.  
 Exhibit D—“Bright Star flashlight side view” prior to Jan. 6, 1999.  
 Exhibit E—“Eveready Industrial flashlight front view” prior to Jan. 6, 1999.

Exhibit F—“Eveready Industrial flashlight side view” prior to Jan. 6, 1999.

Exhibit G—“General Electric flashlight front view” prior to Jan. 6, 1999.

Exhibit H—“General Electric flashlight side view” prior to Jan. 6, 1999.

*Primary Examiner*—Marcus A. Jackson  
*Attorney, Agent, or Firm*—Quarles & Brady LLP

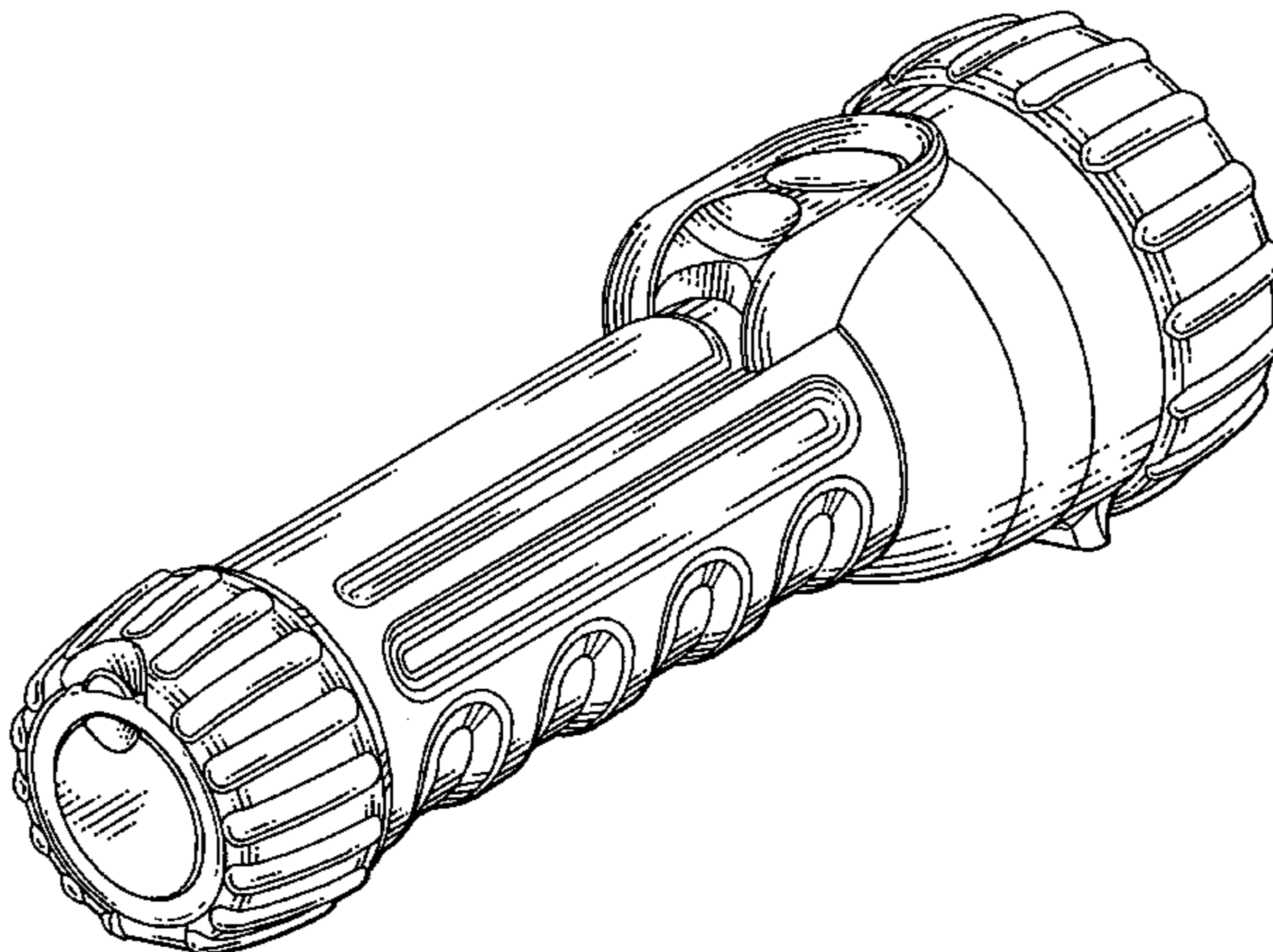
### [57] **CLAIM**

The ornamental design for a flashlight, as shown and described.

### **DESCRIPTION**

FIG. 1 is a rear perspective view of a flashlight of this invention;  
 FIG. 2 is a top plan view thereof;  
 FIG. 3 is a side elevational view thereof, the side opposite being a mirror image thereof;  
 FIG. 4 is a bottom plan view thereof;  
 FIG. 5 is a front elevational view thereof;  
 FIG. 6 is a rear elevational view thereof;  
 FIG. 7 is a rear perspective view of an alternative embodiment flashlight of this invention;  
 FIG. 8 is a top plan view thereof;  
 FIG. 9 is a side elevational view thereof, the side opposite being a mirror image thereof;  
 FIG. 10 is a bottom plan view thereof;  
 FIG. 11 is a front elevational view thereof;  
 FIG. 12 is a rear elevational view thereof;  
 FIG. 13 is a rear perspective view of another alternative embodiment flashlight of this invention;  
 FIG. 14 is a front elevational view thereof;  
 FIG. 15 is a rear elevational view thereof;  
 FIG. 16 is a top plan view thereof;  
 FIG. 17 is a side elevational view thereof, the side opposite being a mirror image thereof;  
 FIG. 18 is a bottom plan view thereof;  
 FIG. 19 is a rear perspective view of still another alternative embodiment flashlight of this invention;  
 FIG. 20 is a front elevational view thereof;  
 FIG. 21 is a rear elevational view thereof;  
 FIG. 22 is a top plan view thereof;  
 FIG. 23 is a side elevational view thereof, the side opposite being a mirror image thereof; and,  
 FIG. 24 is a bottom plan view thereof.

**1 Claim, 10 Drawing Sheets**



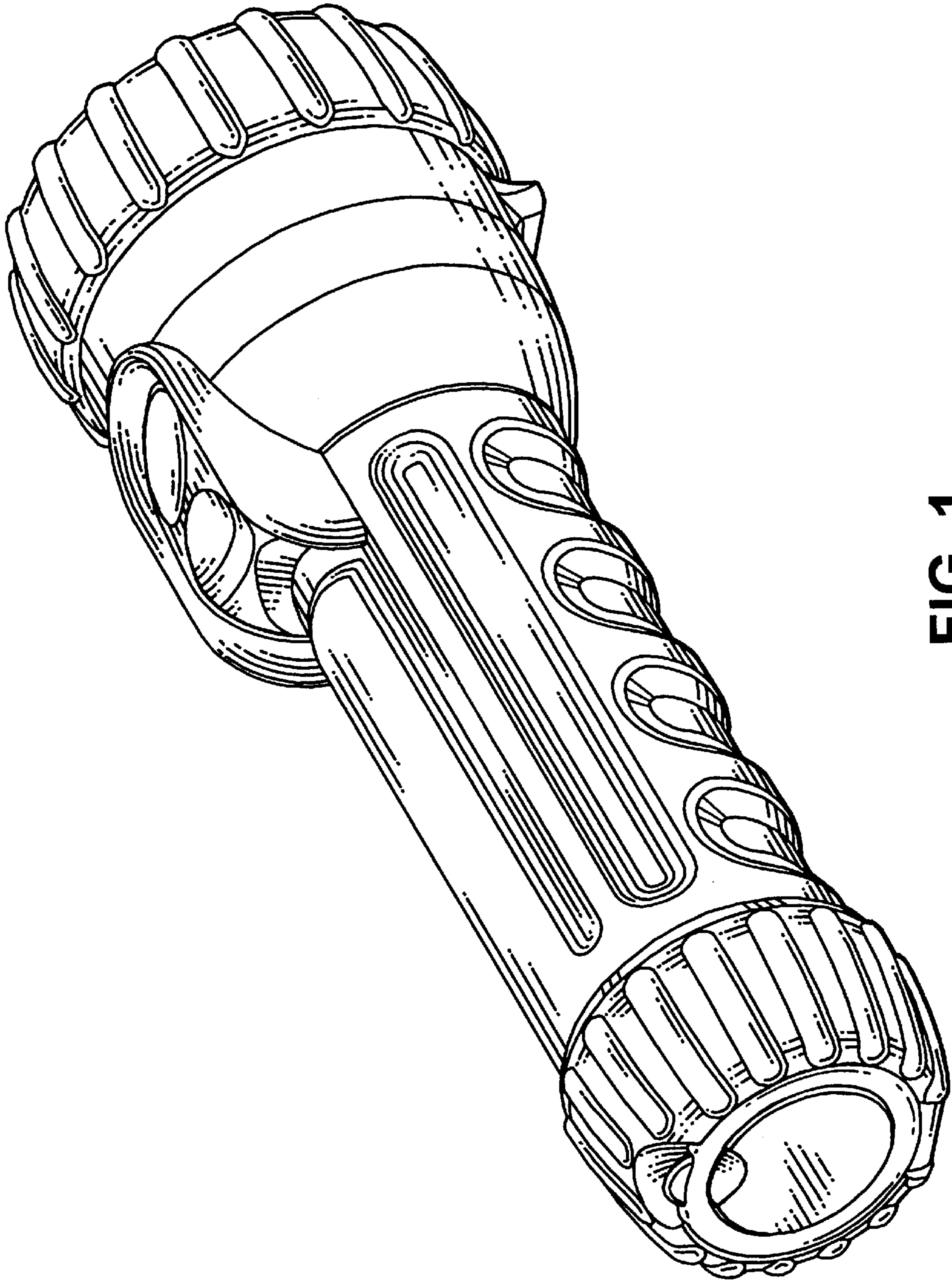


FIG. 1

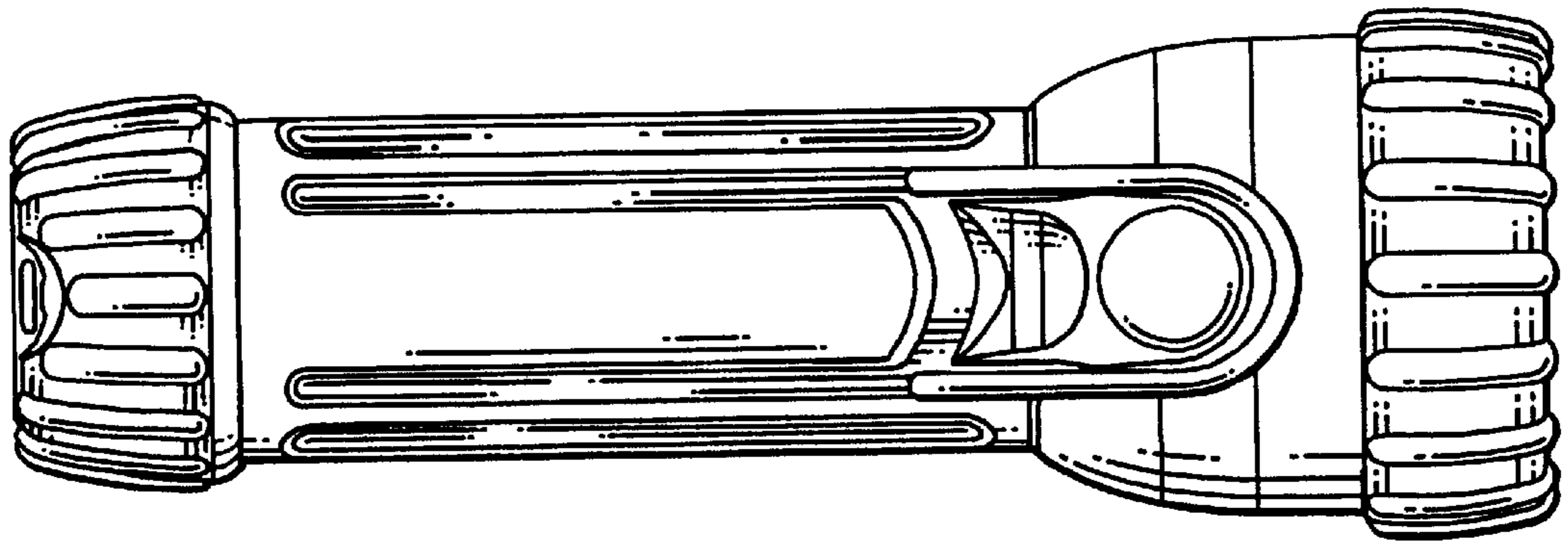


FIG. 2

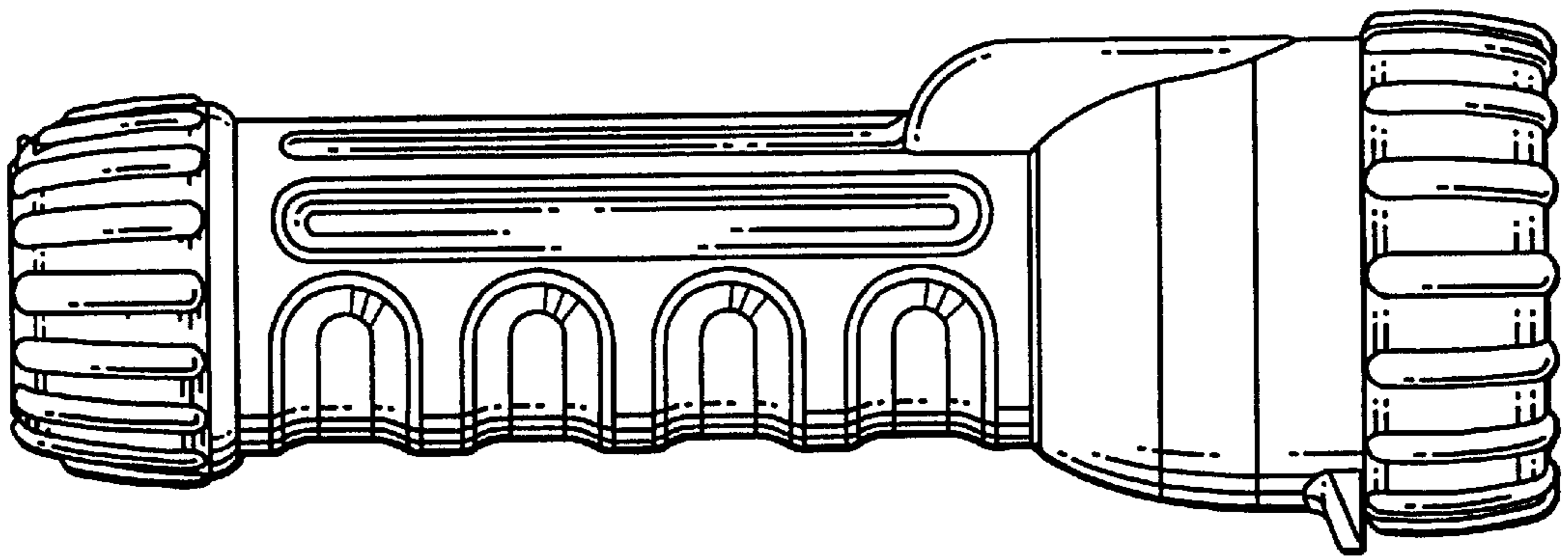


FIG. 3

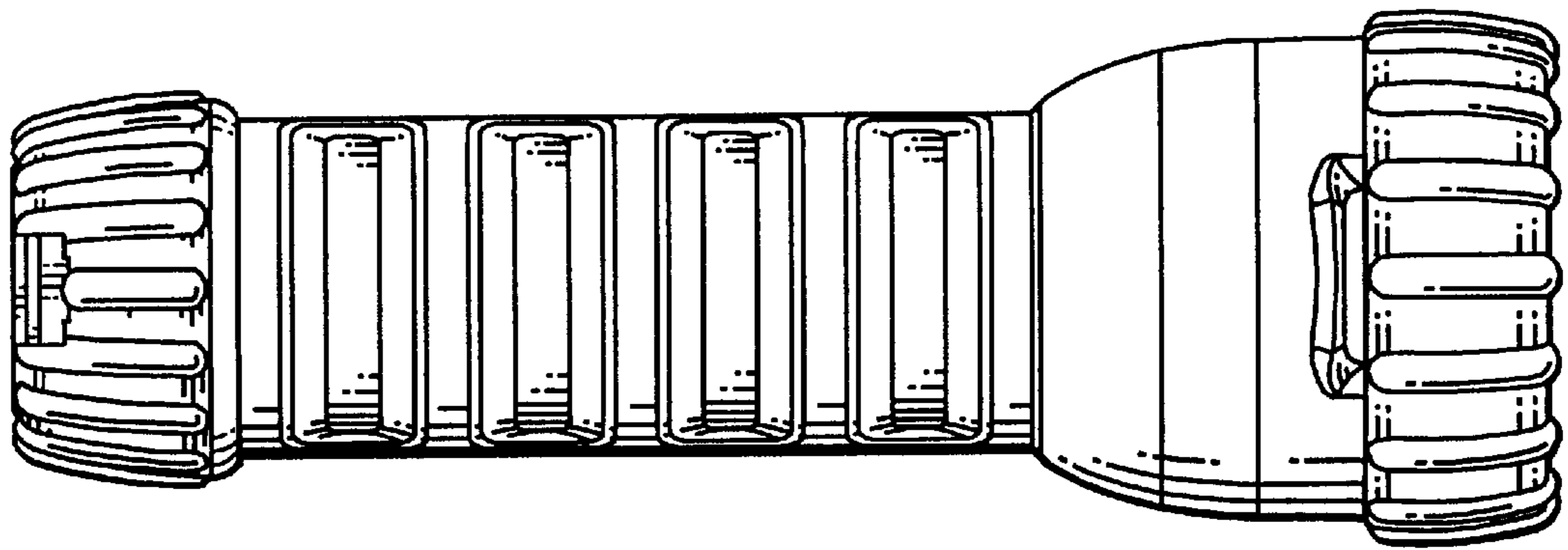
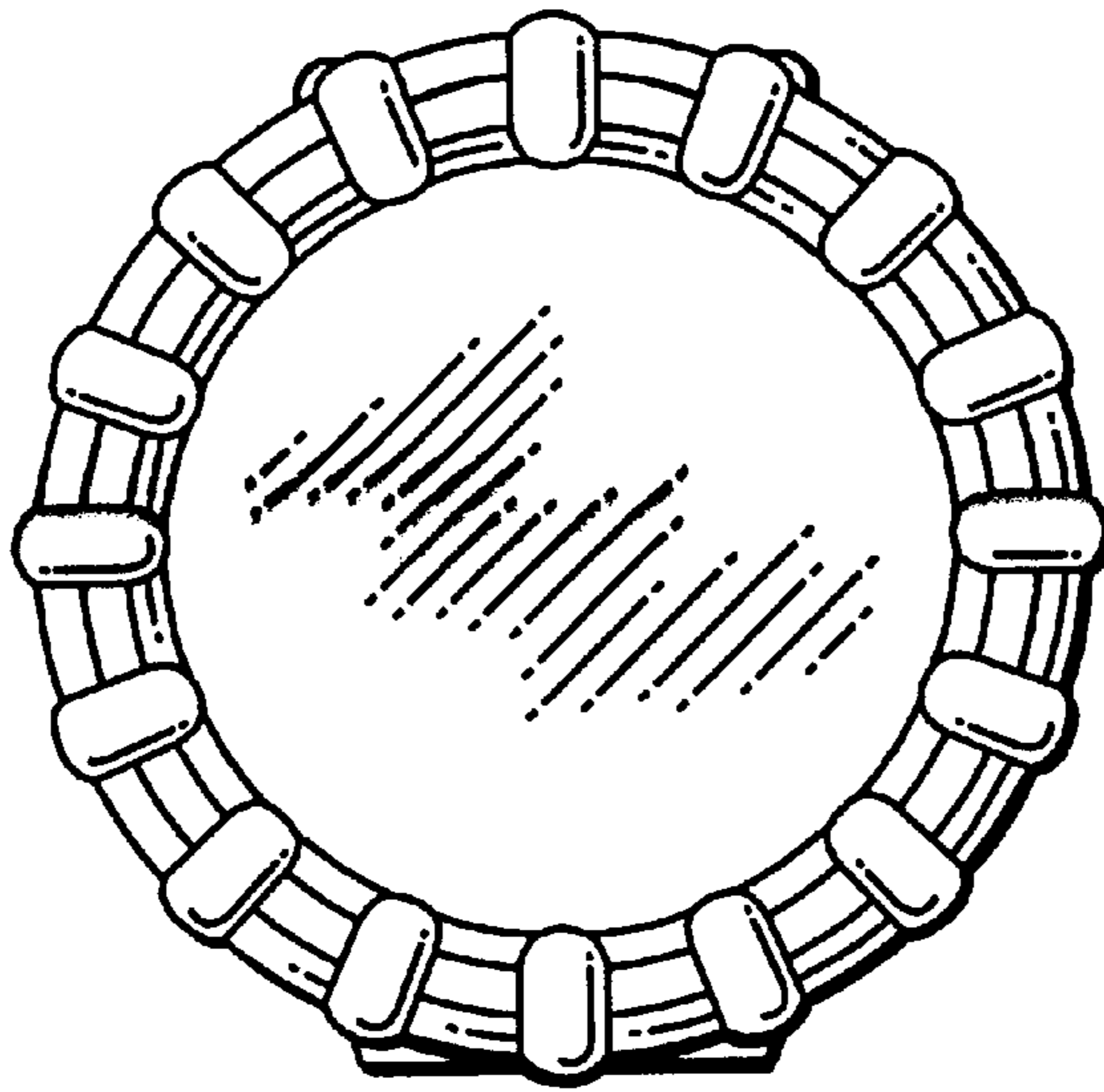
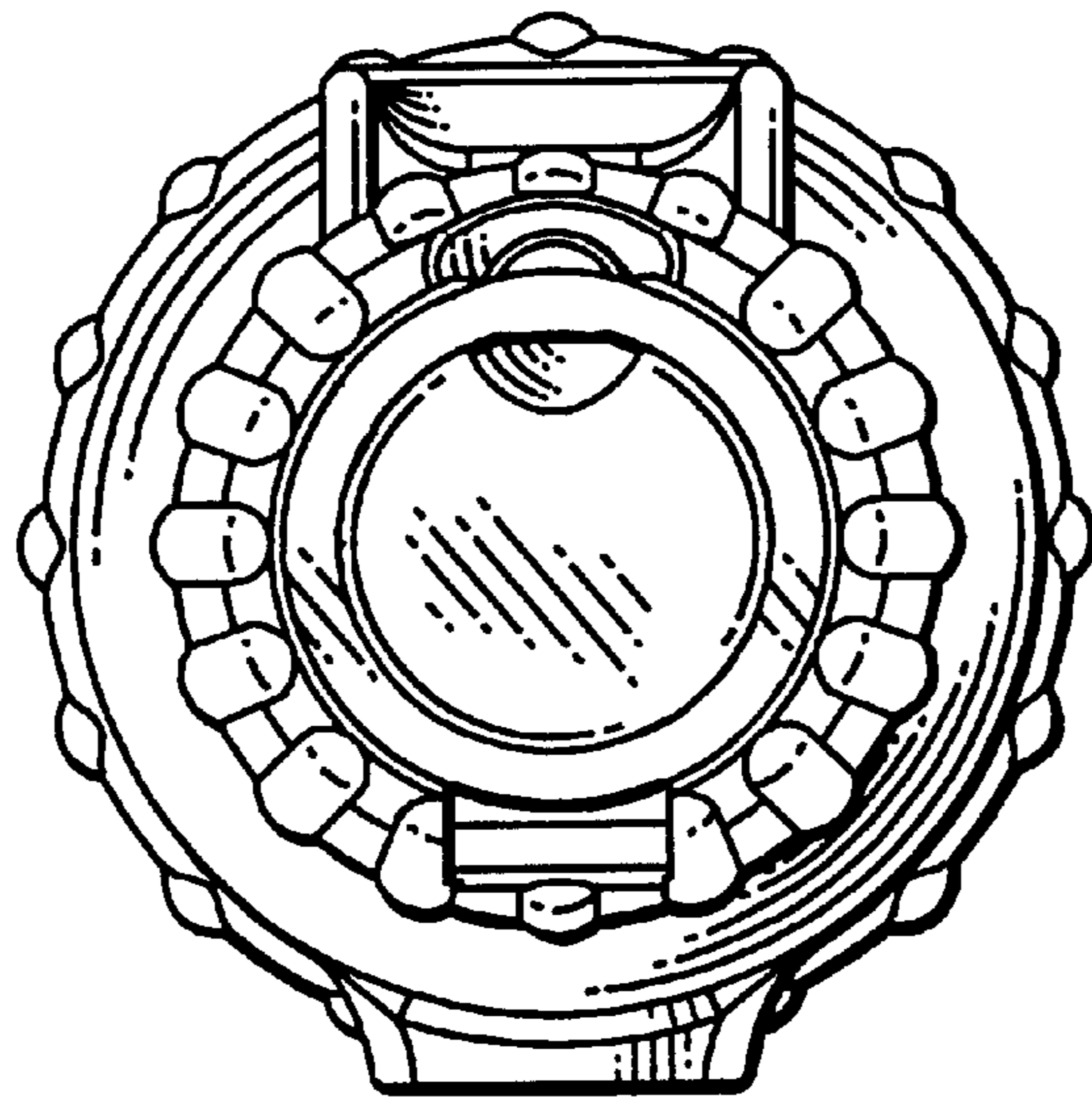


FIG. 4



**FIG. 5**



**FIG. 6**

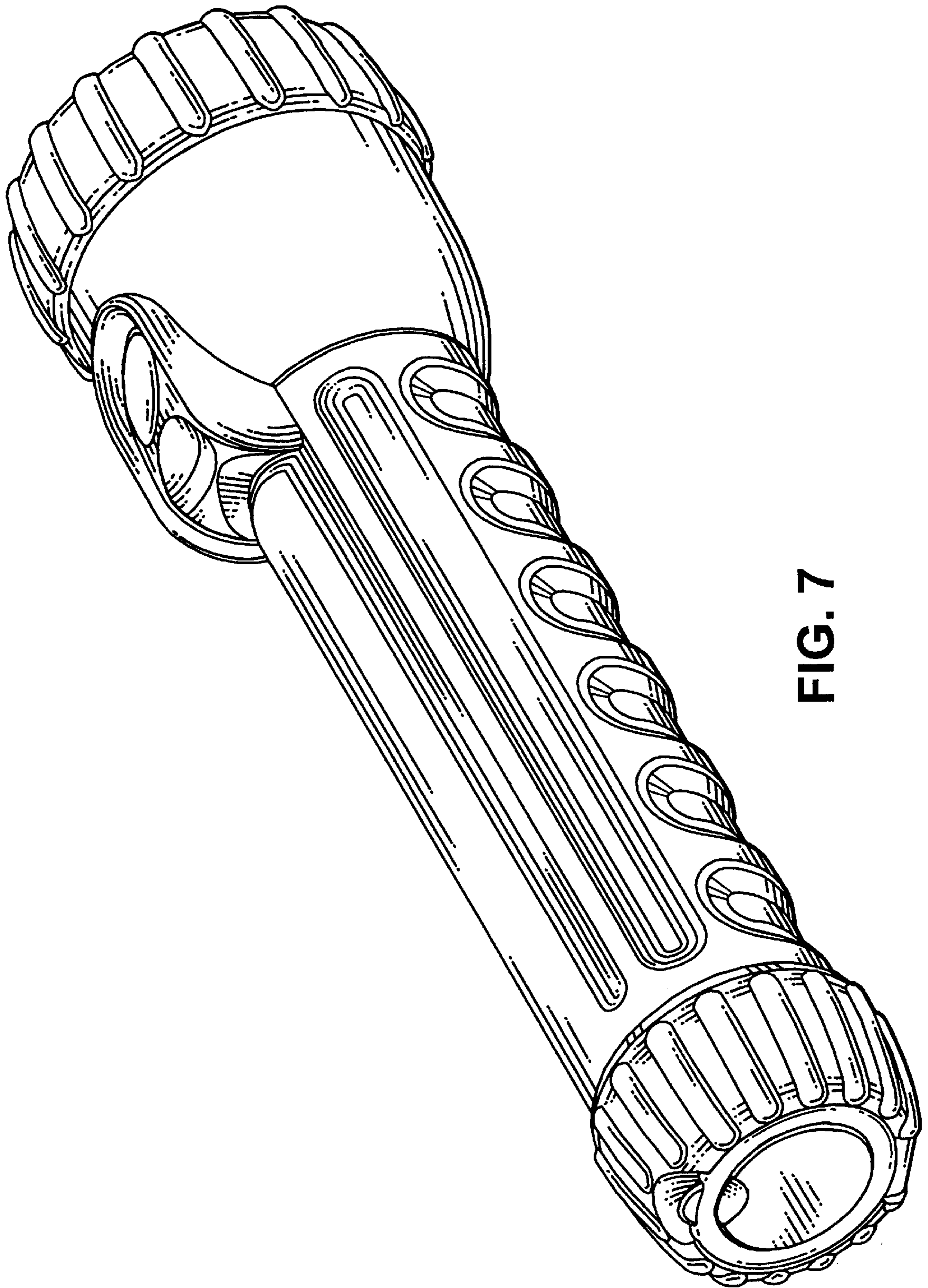


FIG. 7

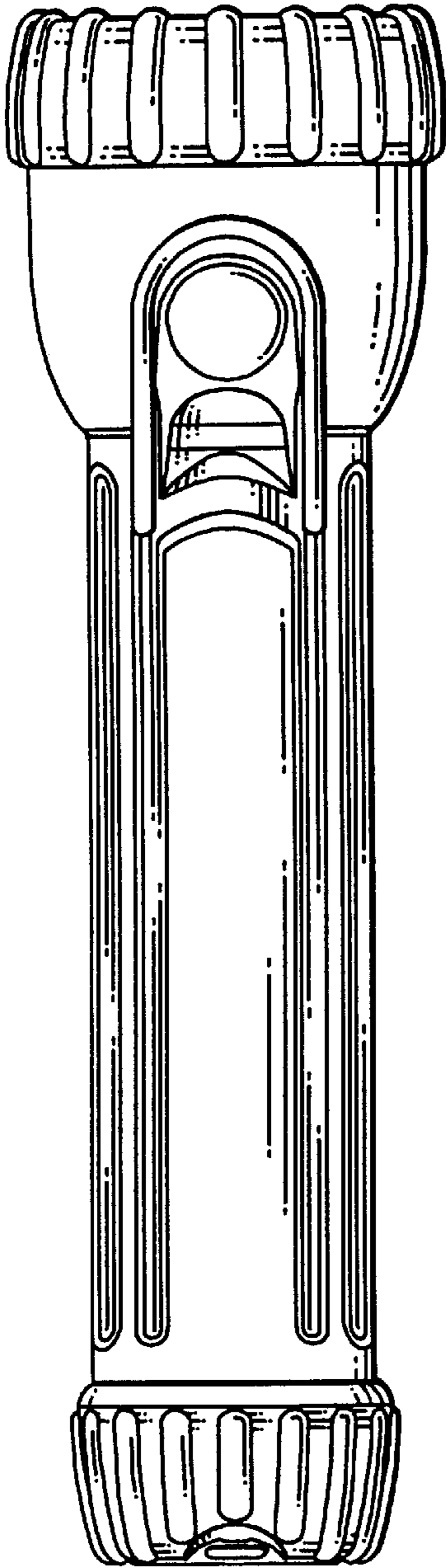


FIG. 8

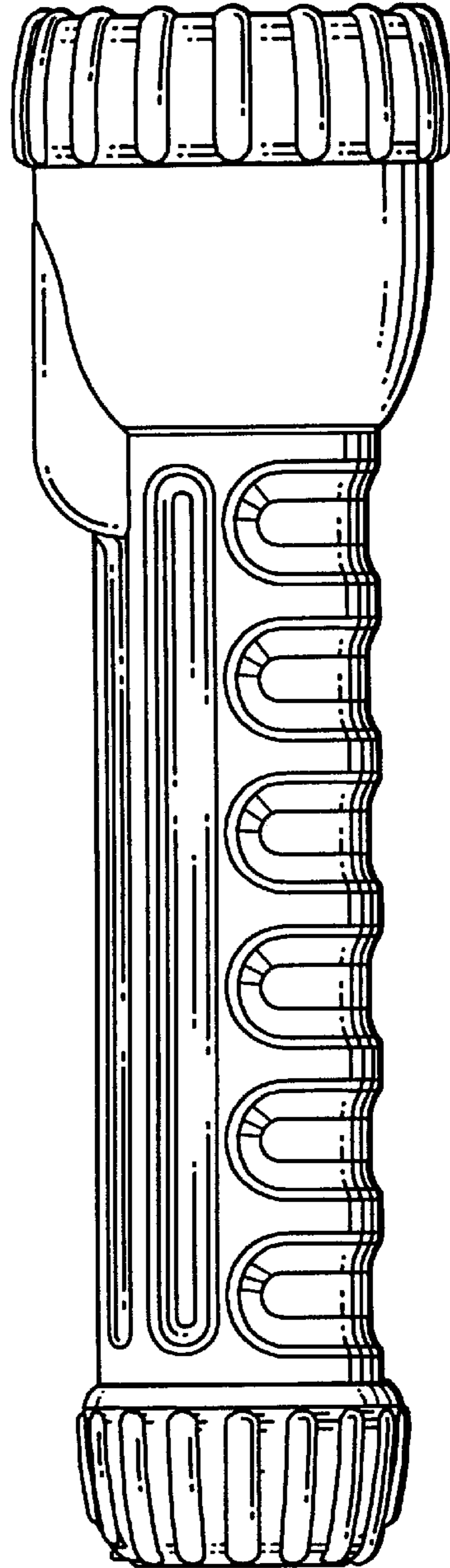


FIG. 9

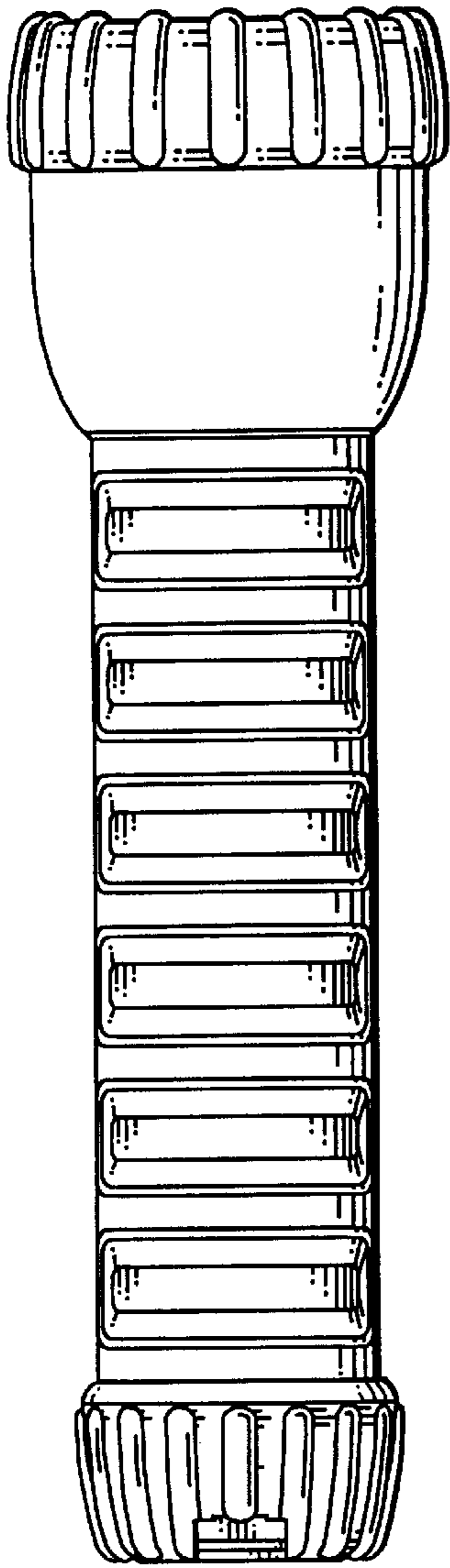


FIG. 10

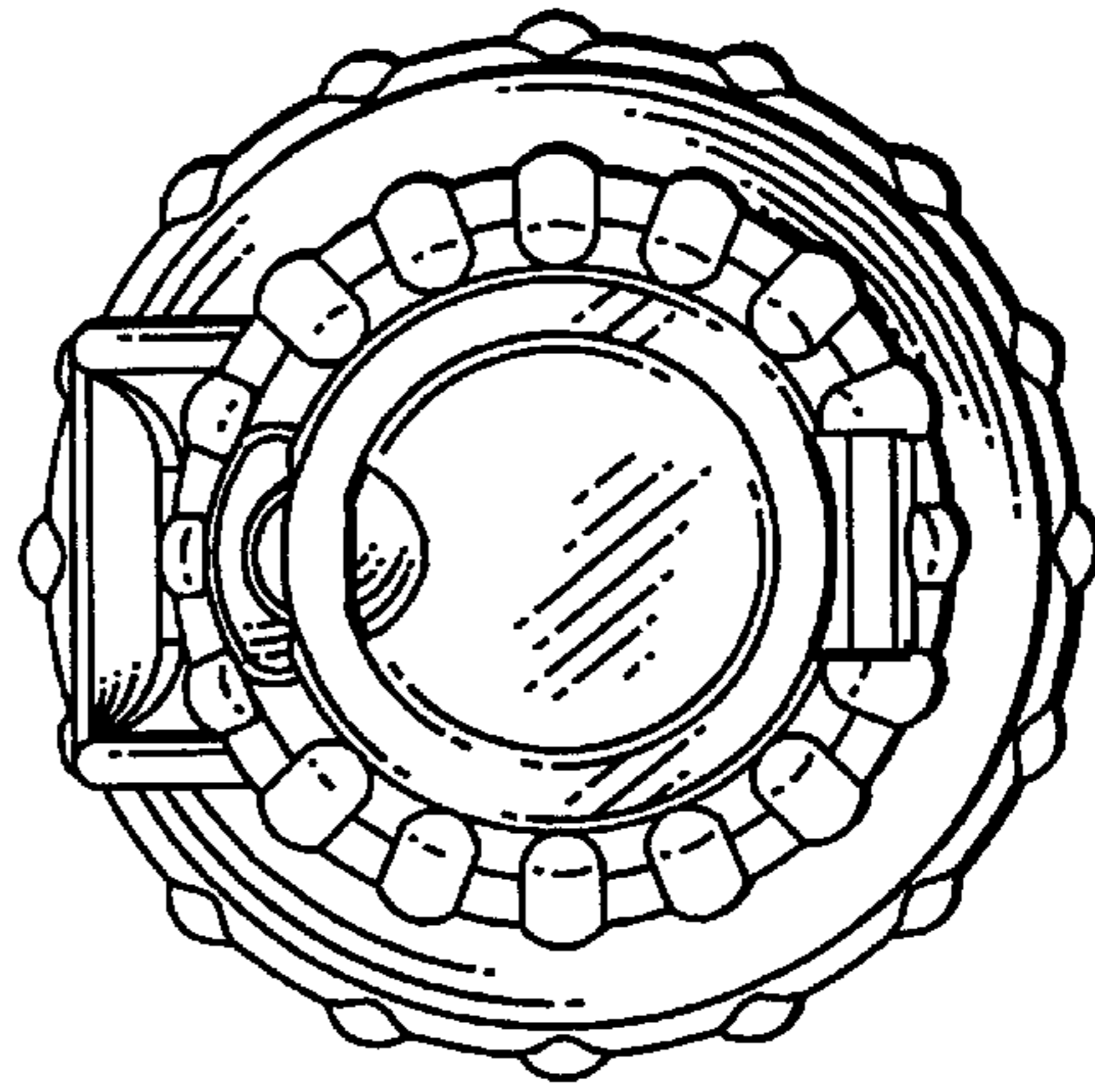


FIG. 12

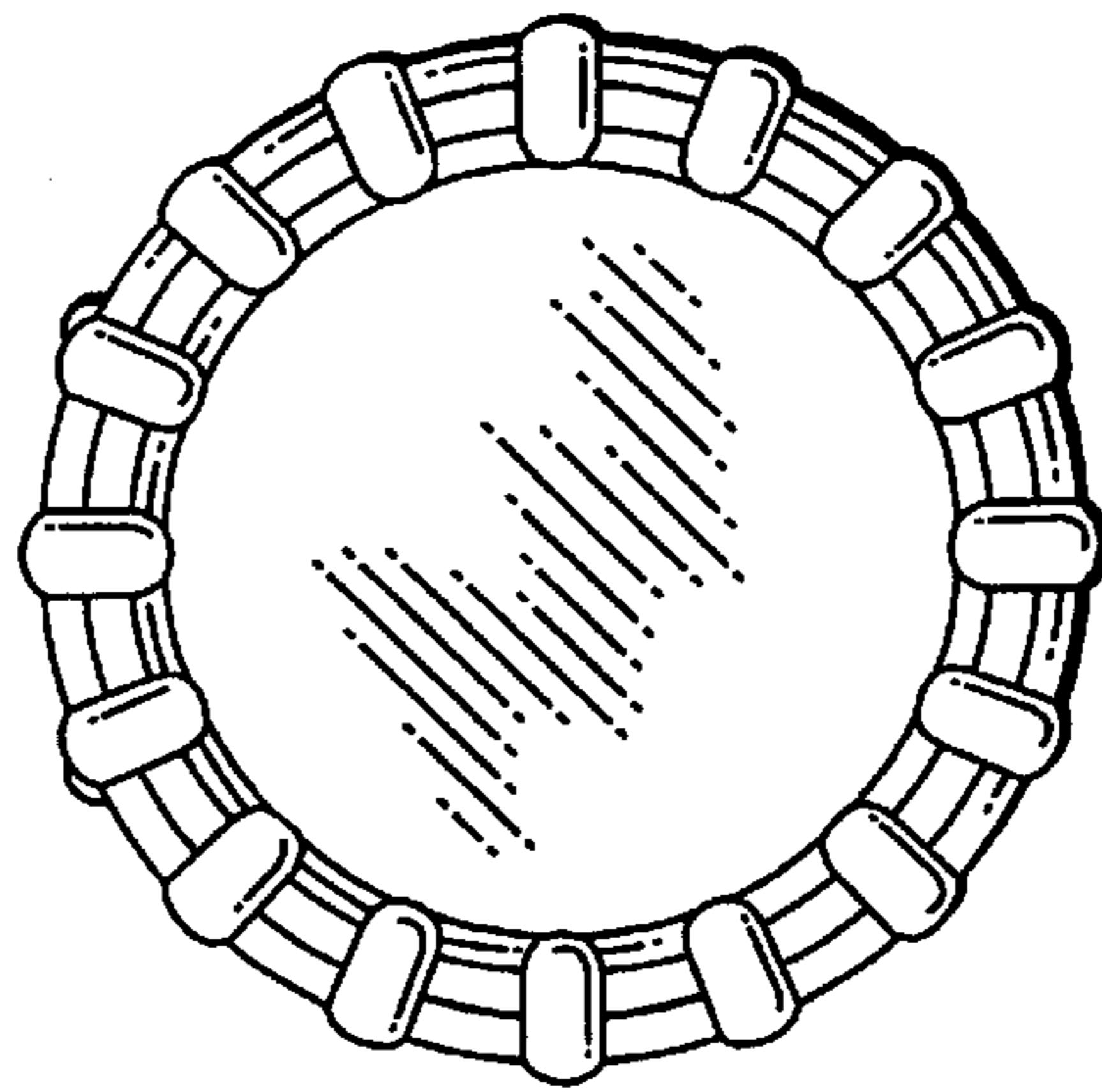
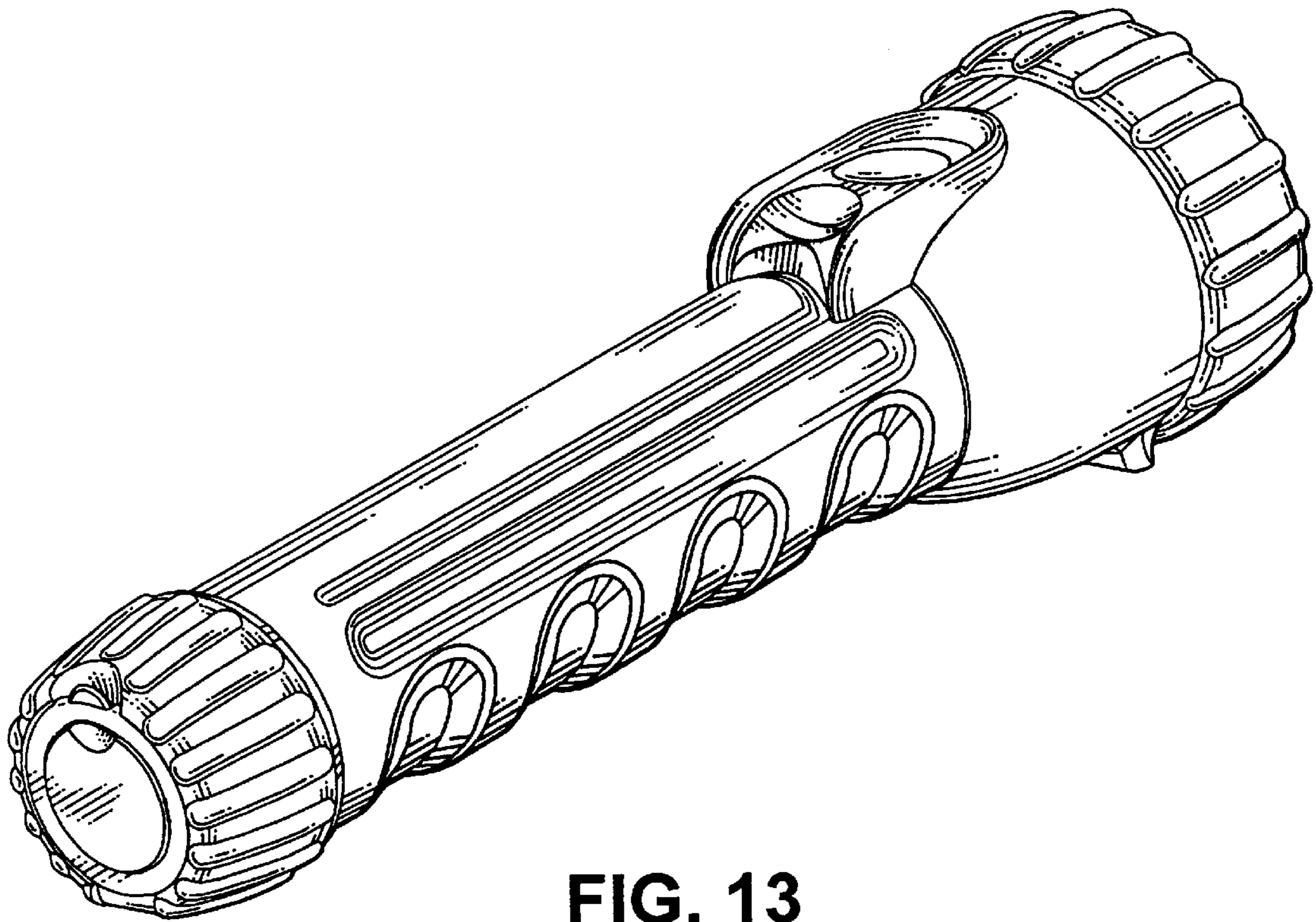
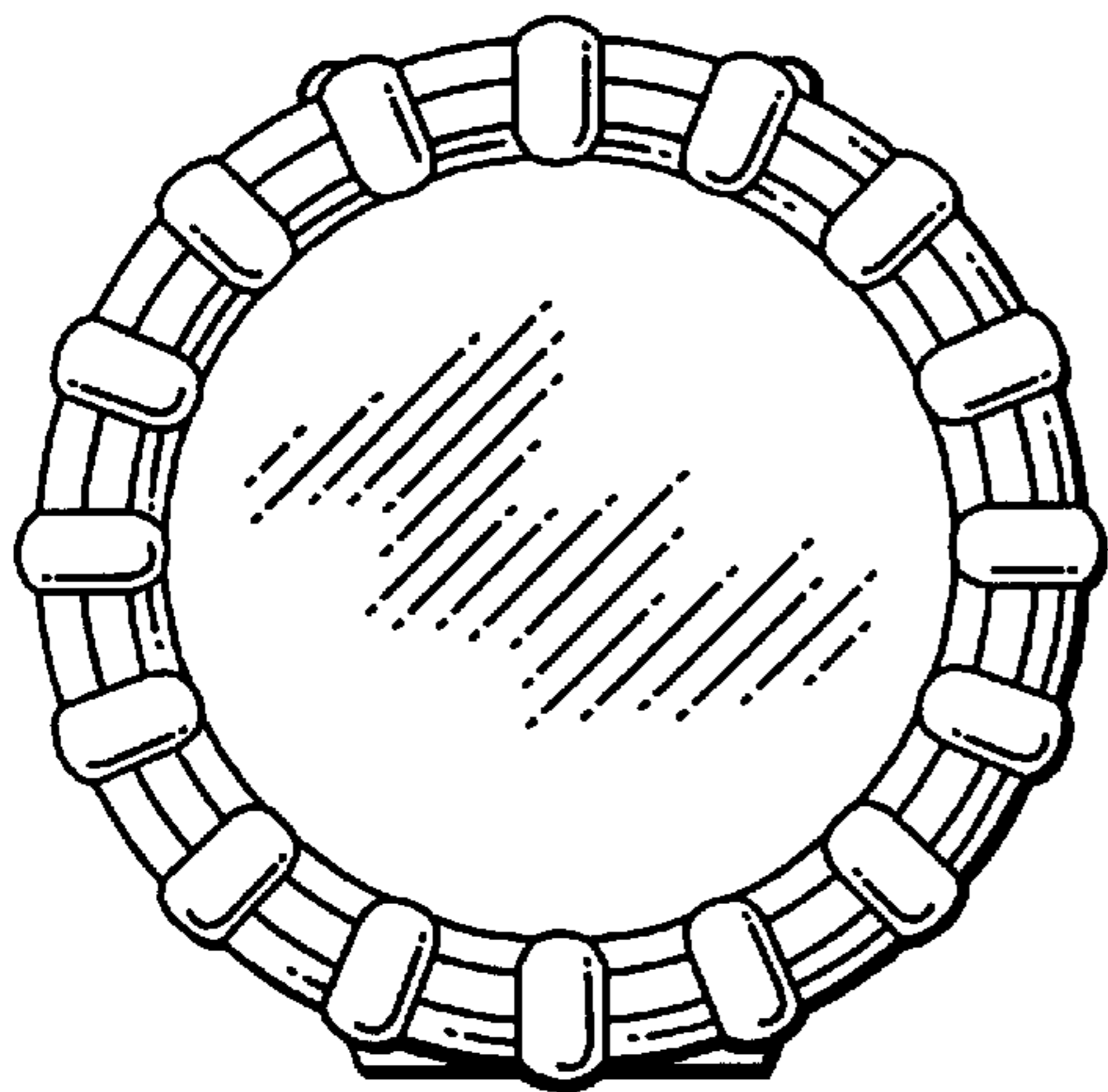


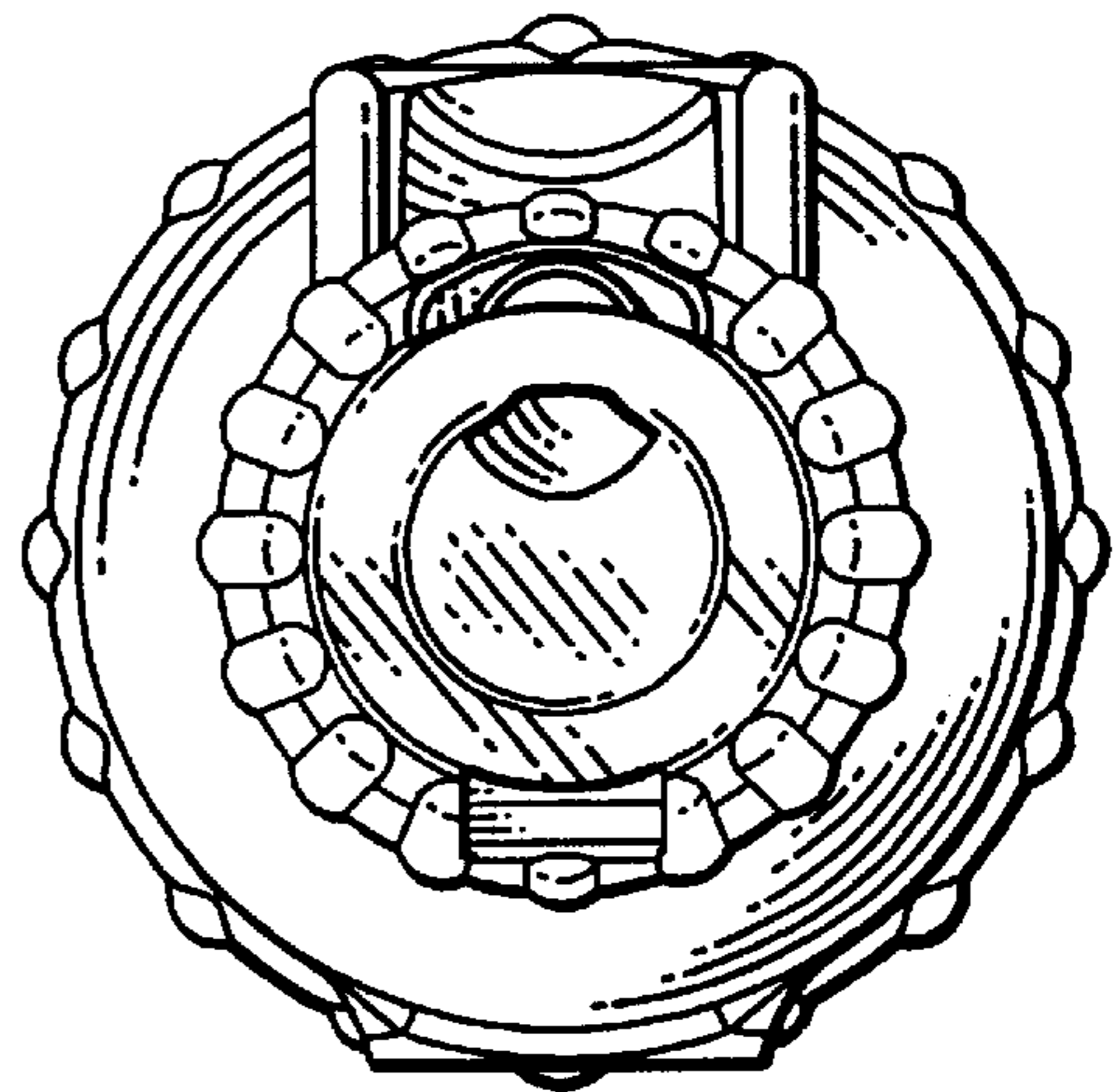
FIG. 11



**FIG. 13**



**FIG. 14**



**FIG. 15**



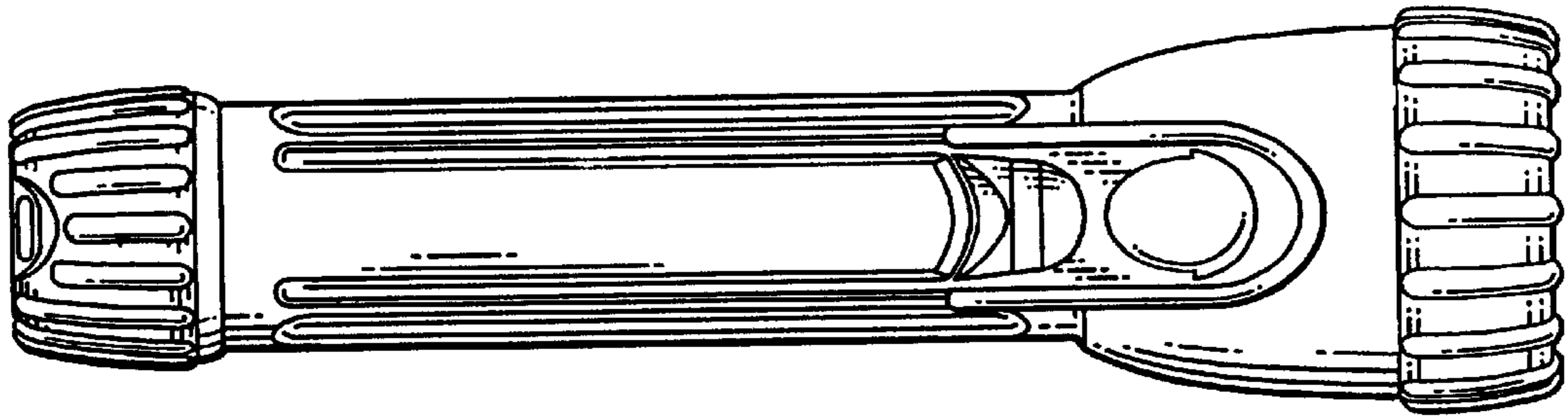


FIG. 16

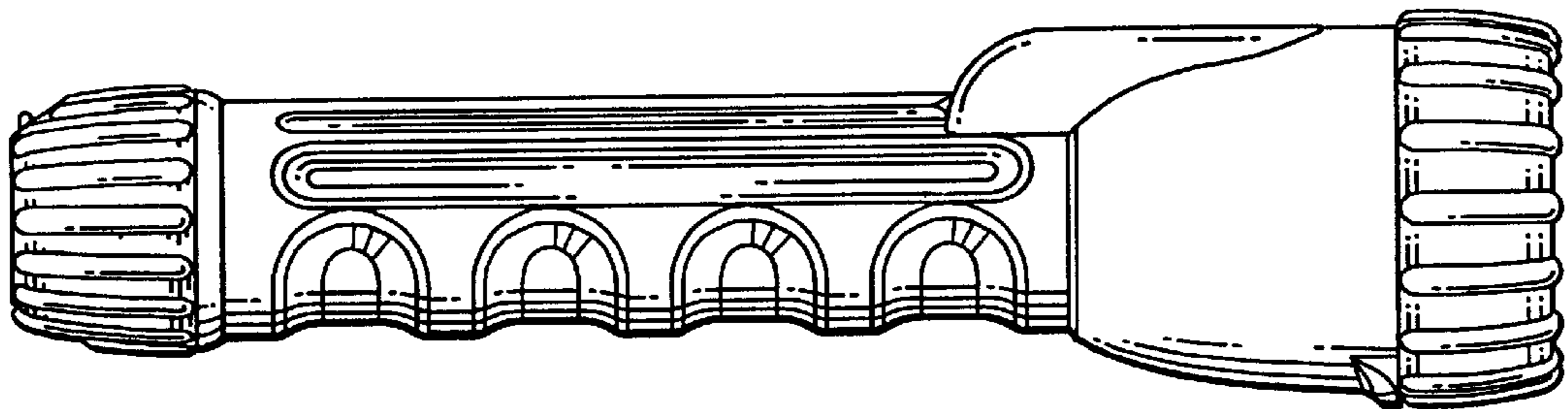


FIG. 17

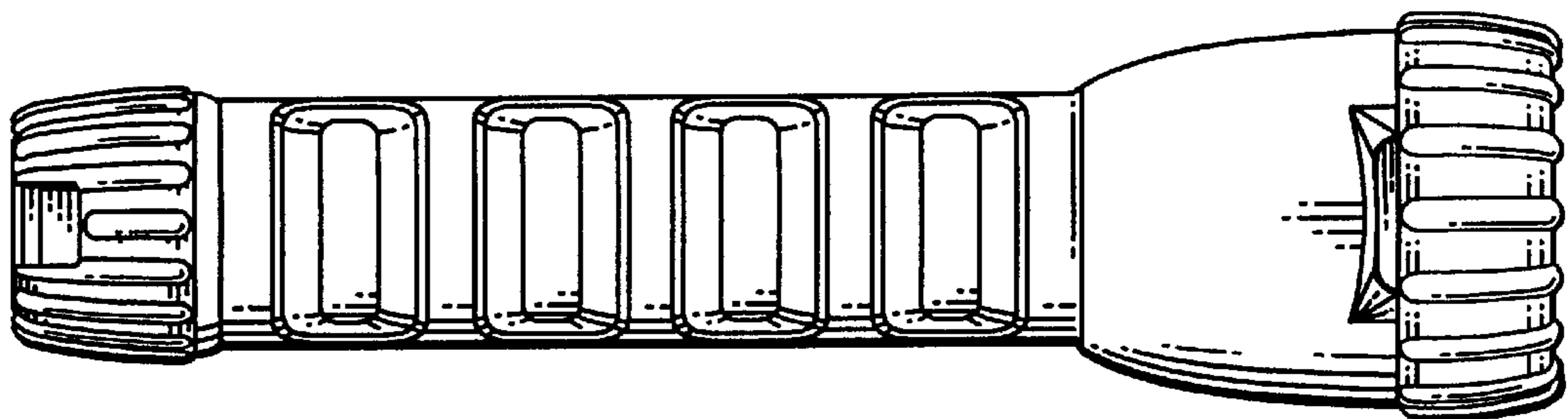


FIG. 18

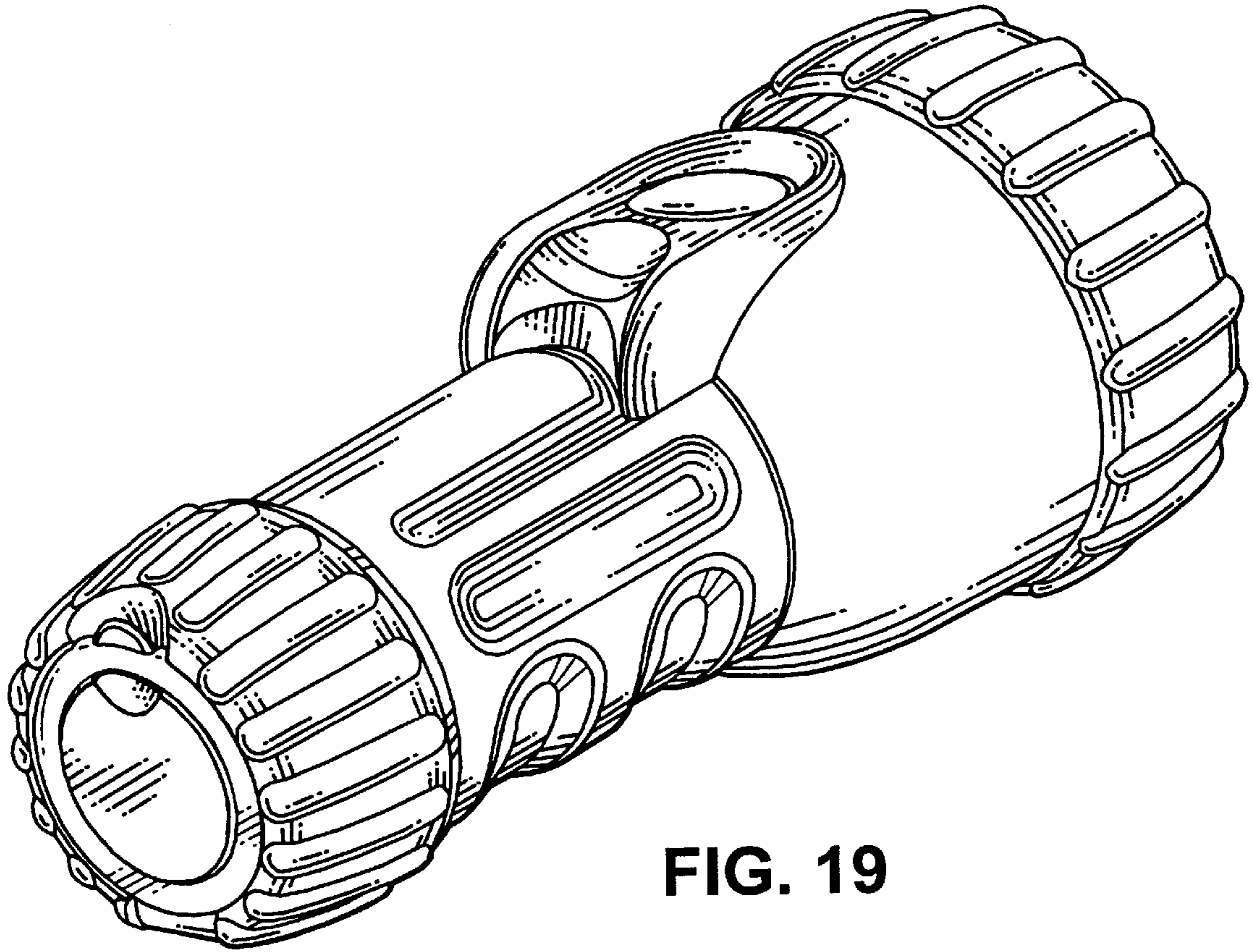


FIG. 19

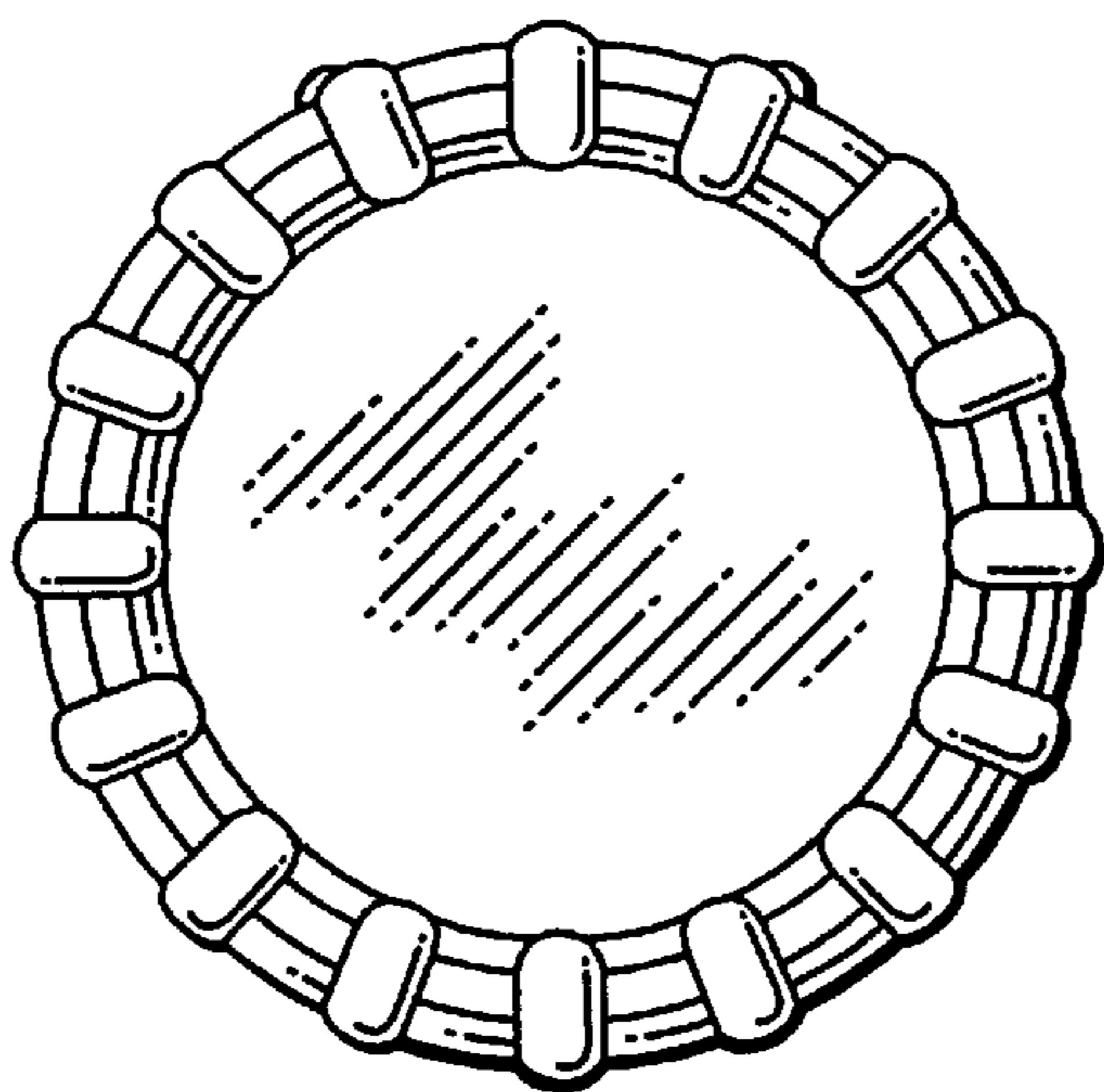


FIG. 20

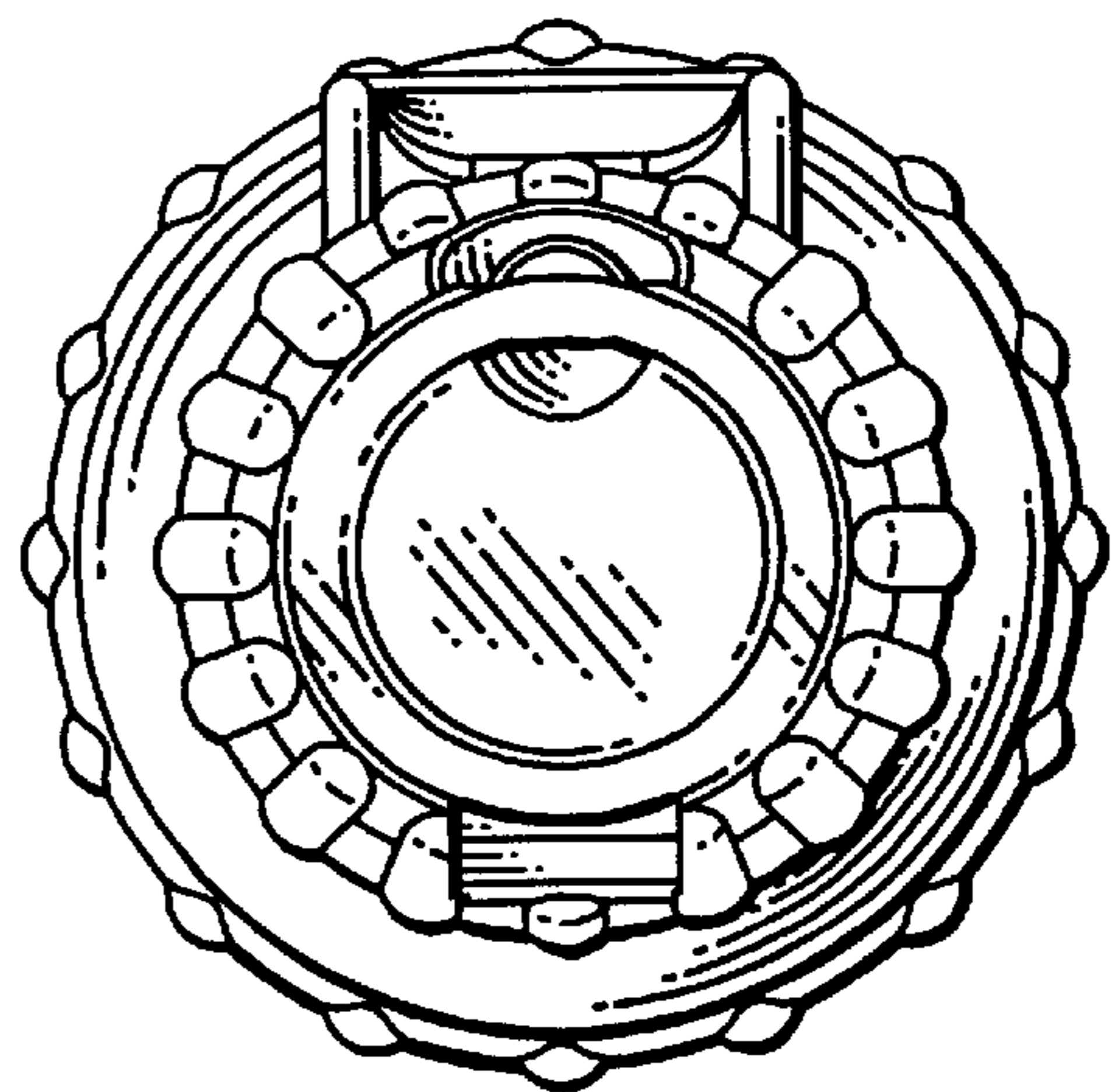


FIG. 21

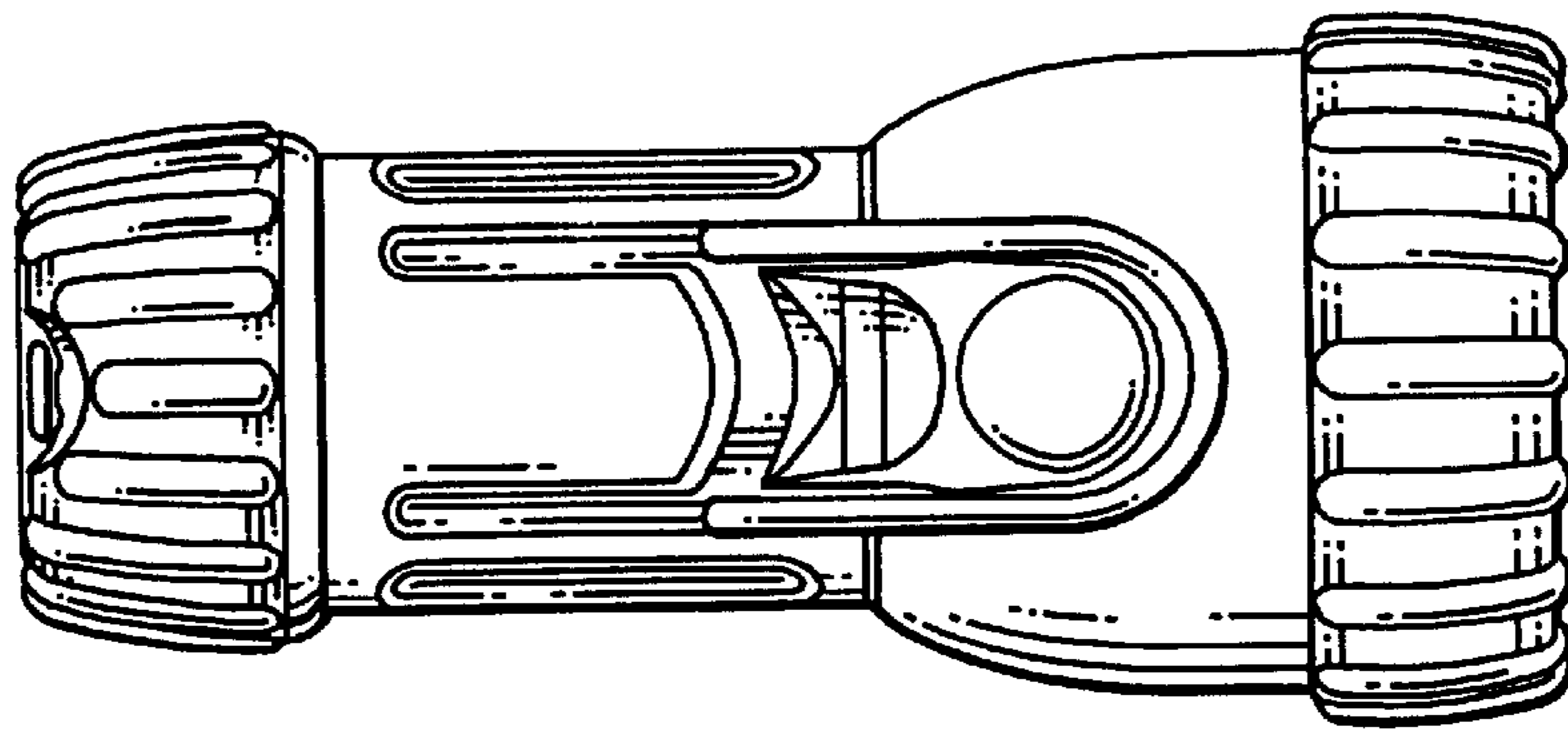


FIG. 22

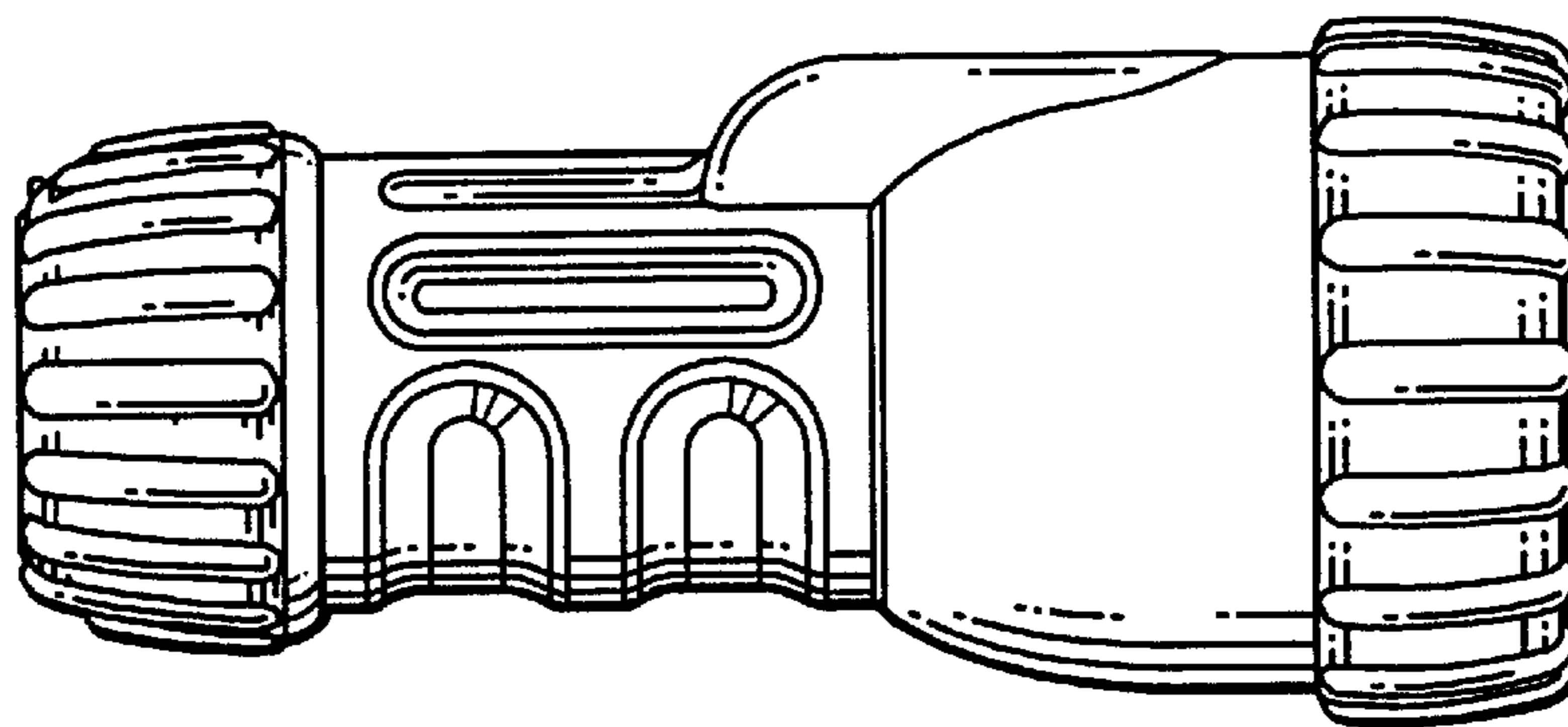


FIG. 23

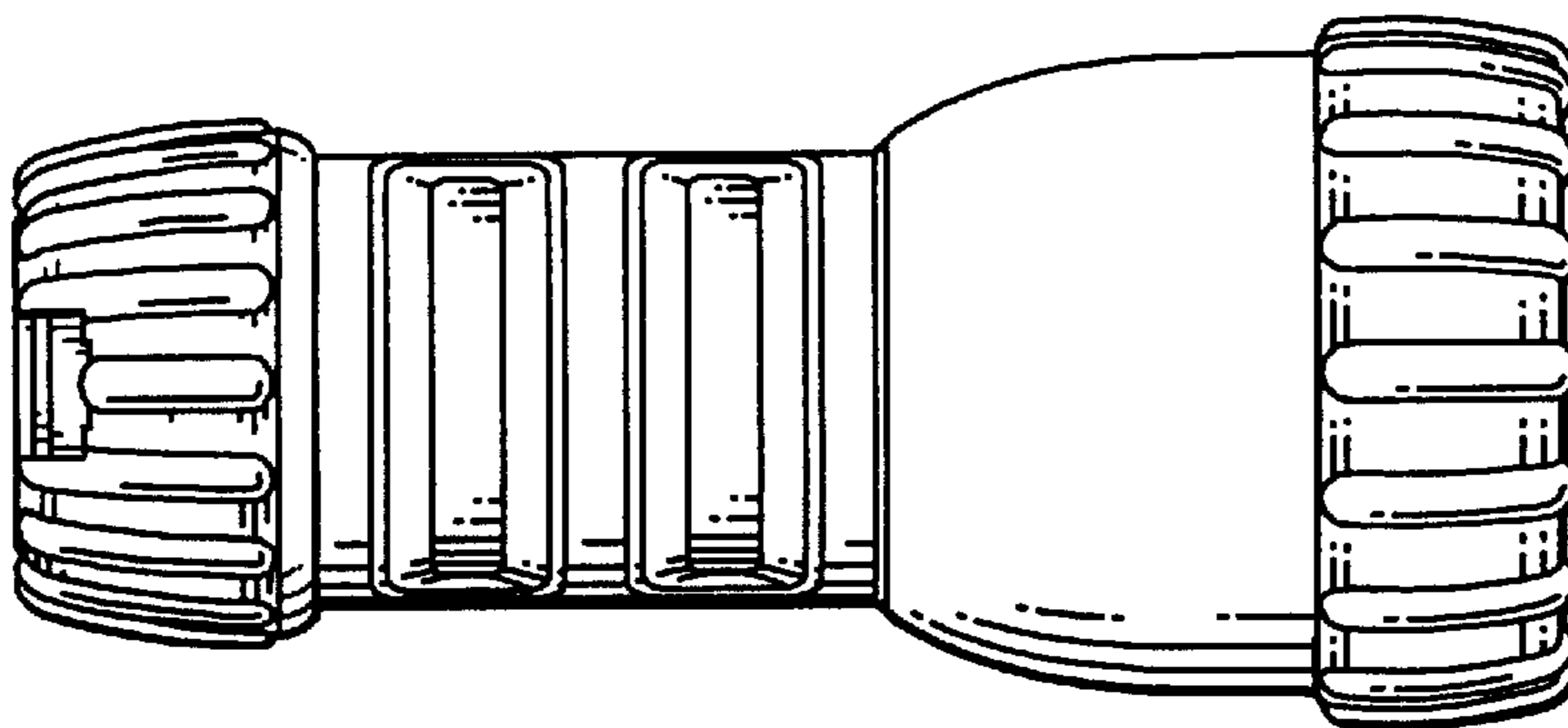


FIG. 24