



US00D433169S

United States Patent [19]
Sullivan

[11] **Patent Number: Des. 433,169**

[45] **Date of Patent: ** Oct. 31, 2000**

[54] **RACE FAN PATIO LIGHTS**

Attorney, Agent, or Firm—James A. Sheridan

[76] Inventor: **Theodore W. Sullivan**, 14 Metropolitan Ave., Nashua, N.H. 03064

[57] **CLAIM**

[**] Term: **14 Years**

I claim the ornamental design for a race fan patio lights, as shown.

[21] Appl. No.: **29/112,473**

DESCRIPTION

[22] Filed: **Oct. 19, 1999**

[51] **LOC (7) Cl.** **26-04**

[52] **U.S. Cl.** **D26/25**

[58] **Field of Search** D26/26, 25, 24, D26/73, 97; 362/806, 800, 811, 240, 249, 250, 252; D11/112, 138, 163

FIG. 1 is a perspective view of the race fan patio lights showing my new design, the roof and awning shown in broken lines is for illustrative purposes only and forms no part of the claimed design;

FIG. 2 is a front elevational view thereof;

FIG. 3 is a rear elevational view thereof;

FIG. 4 is a left elevational view thereof;

FIG. 5 is a right elevational view thereof;

FIG. 6 is a top plan view thereof; and,

FIG. 7 is a bottom plan view thereof.

The cord is shown broken away in FIGS. 2 through 5 to show indeterminate length.

[56] **References Cited**

U.S. PATENT DOCUMENTS

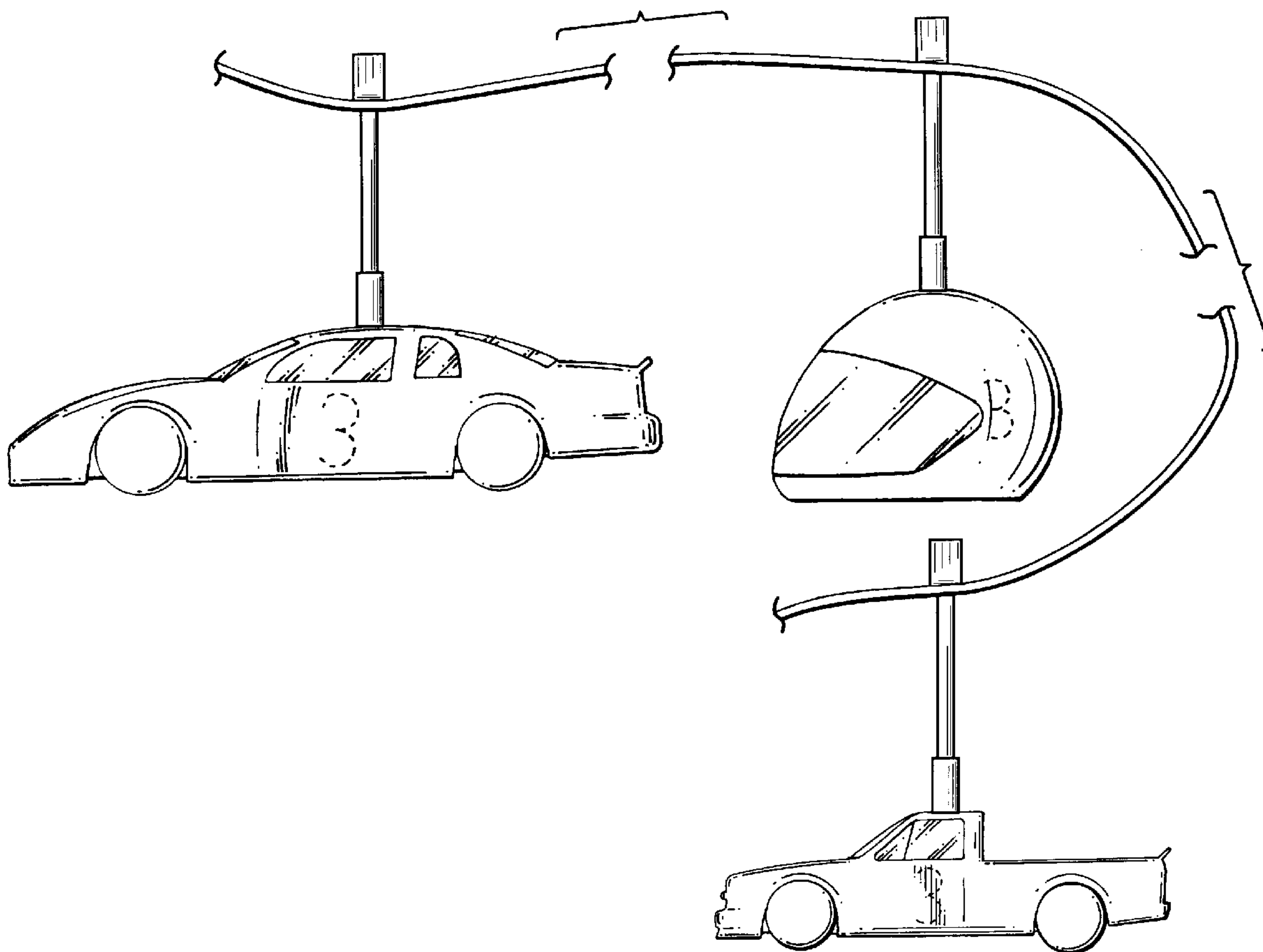
- D. 337,836 7/1993 Johnson D26/25
- D. 374,293 10/1996 Streger et al. D26/25
- D. 411,319 6/1999 Baker D26/25

OTHER PUBLICATIONS

The Coast Connection Recreational Vehicle Parts and Acc. Catalog, p. 106, Every Item, Jun. 1986.

Primary Examiner—Cynthia E. Ramirez

1 Claim, 4 Drawing Sheets



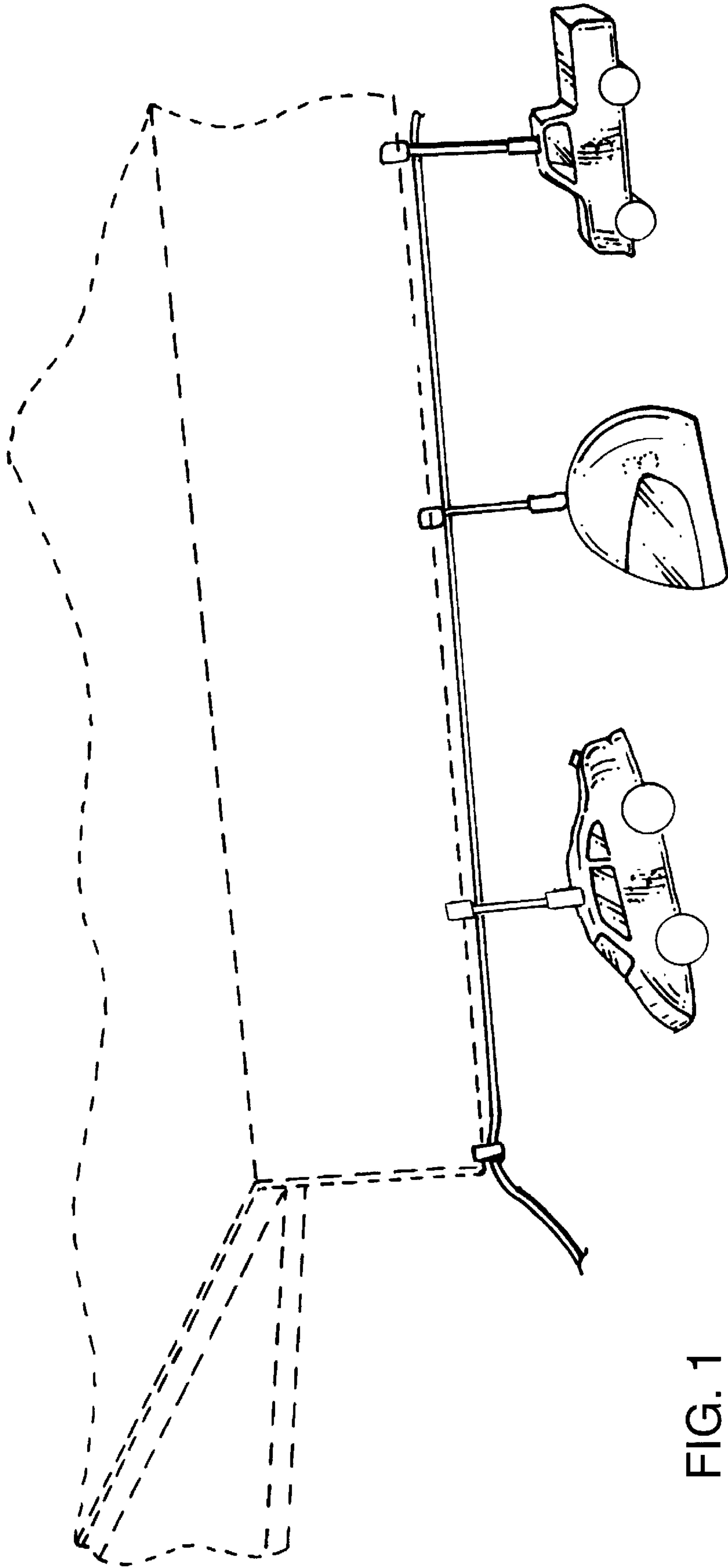


FIG. 1

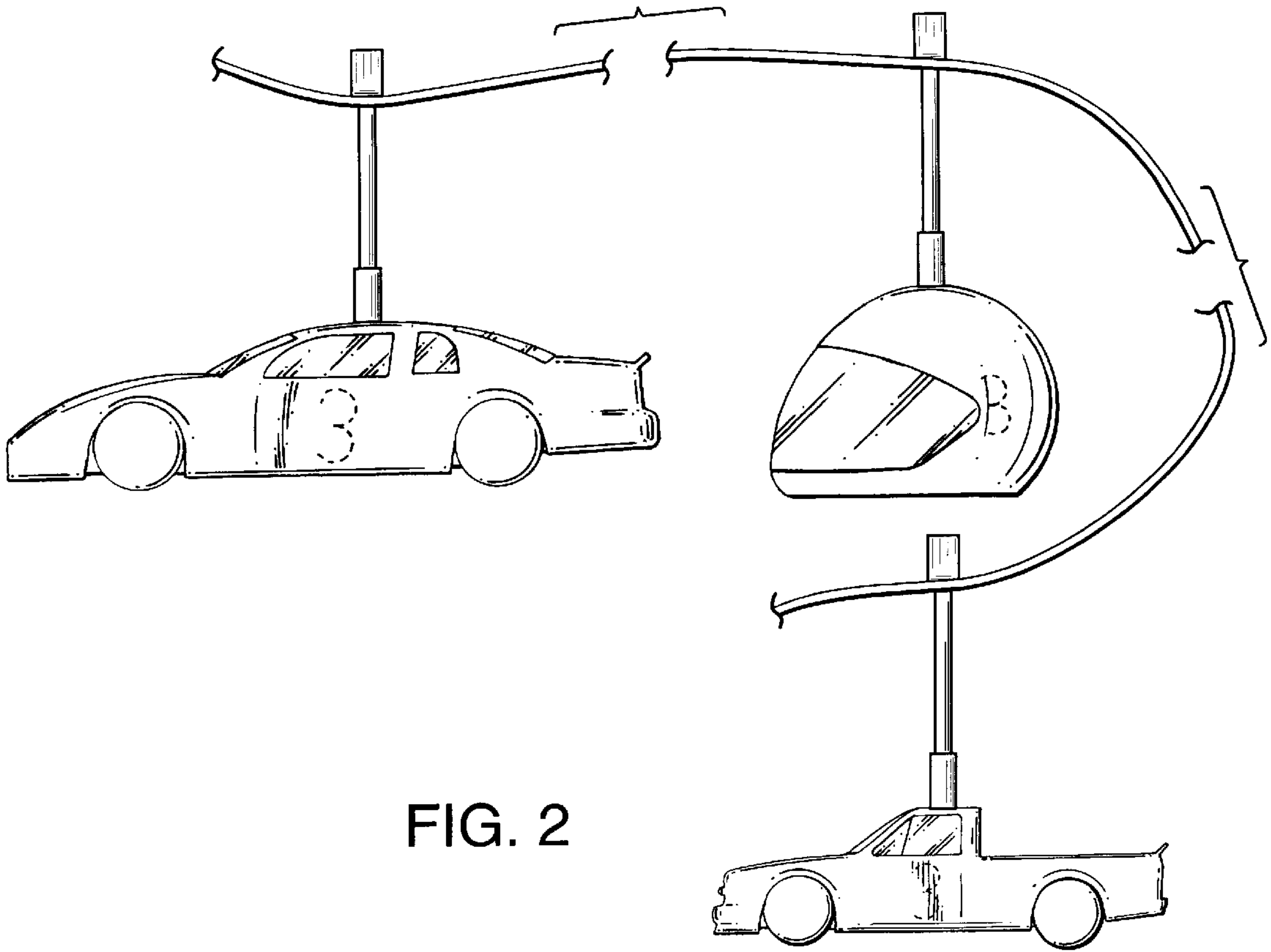


FIG. 2

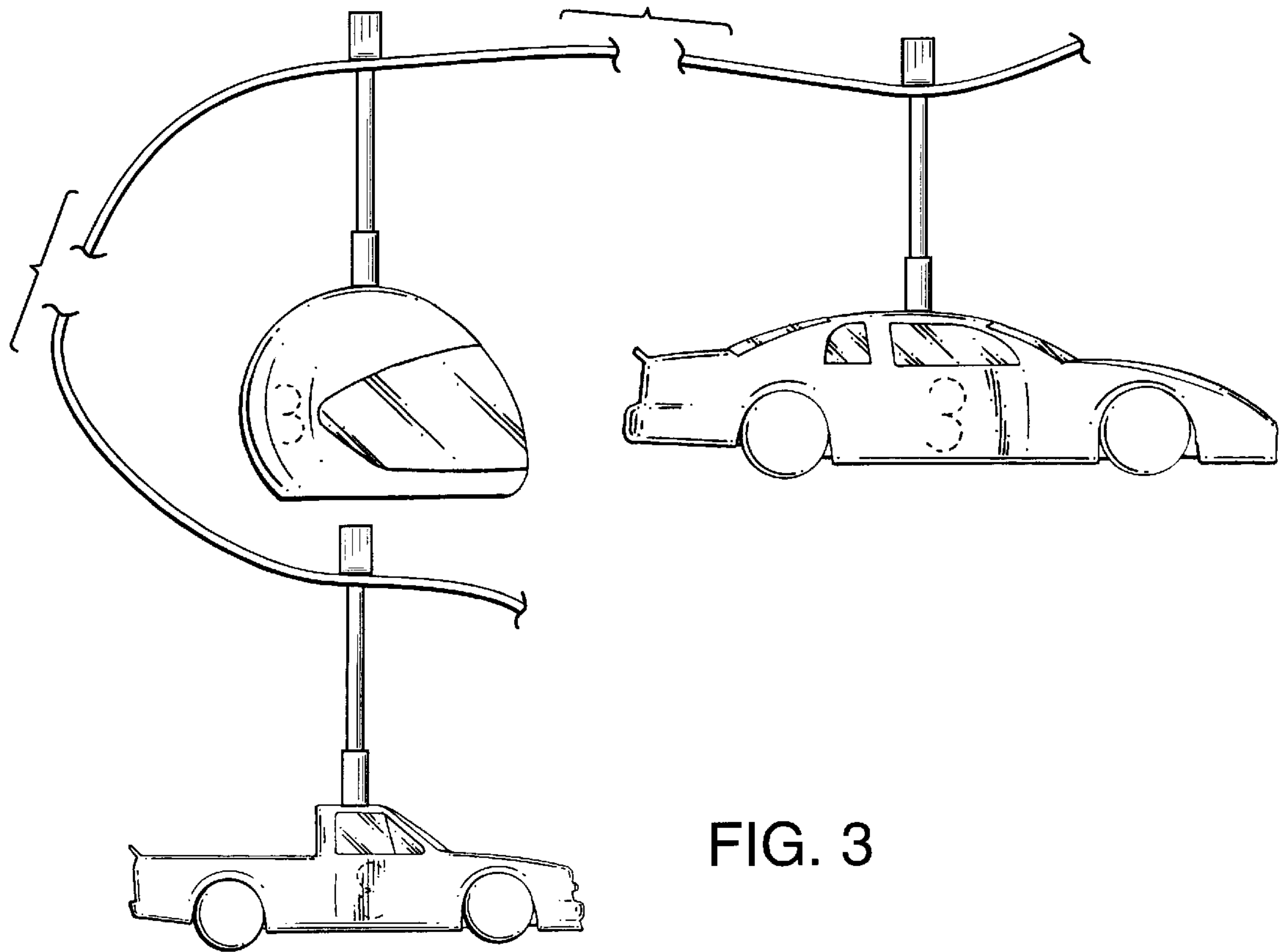


FIG. 3

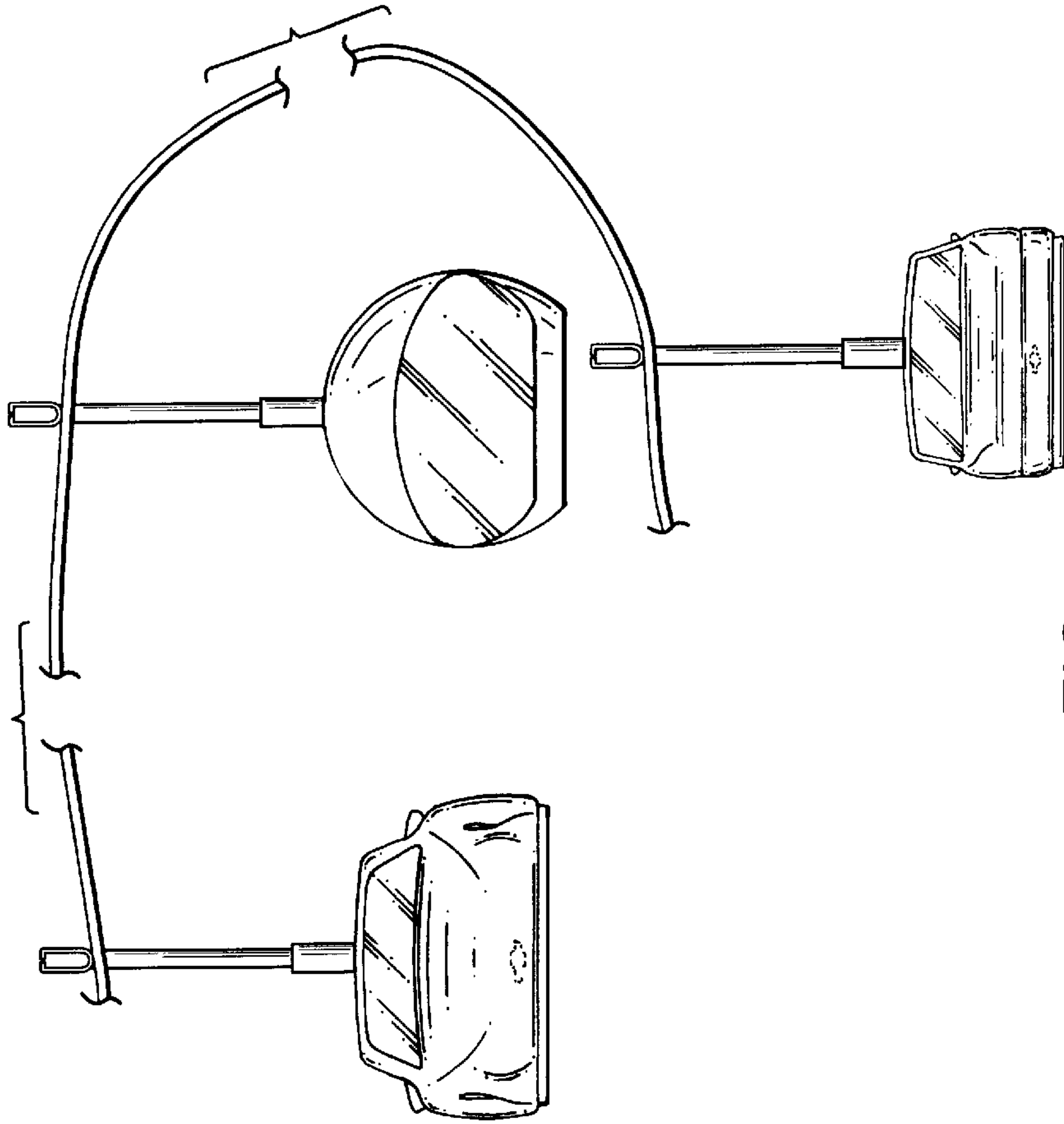


FIG. 4

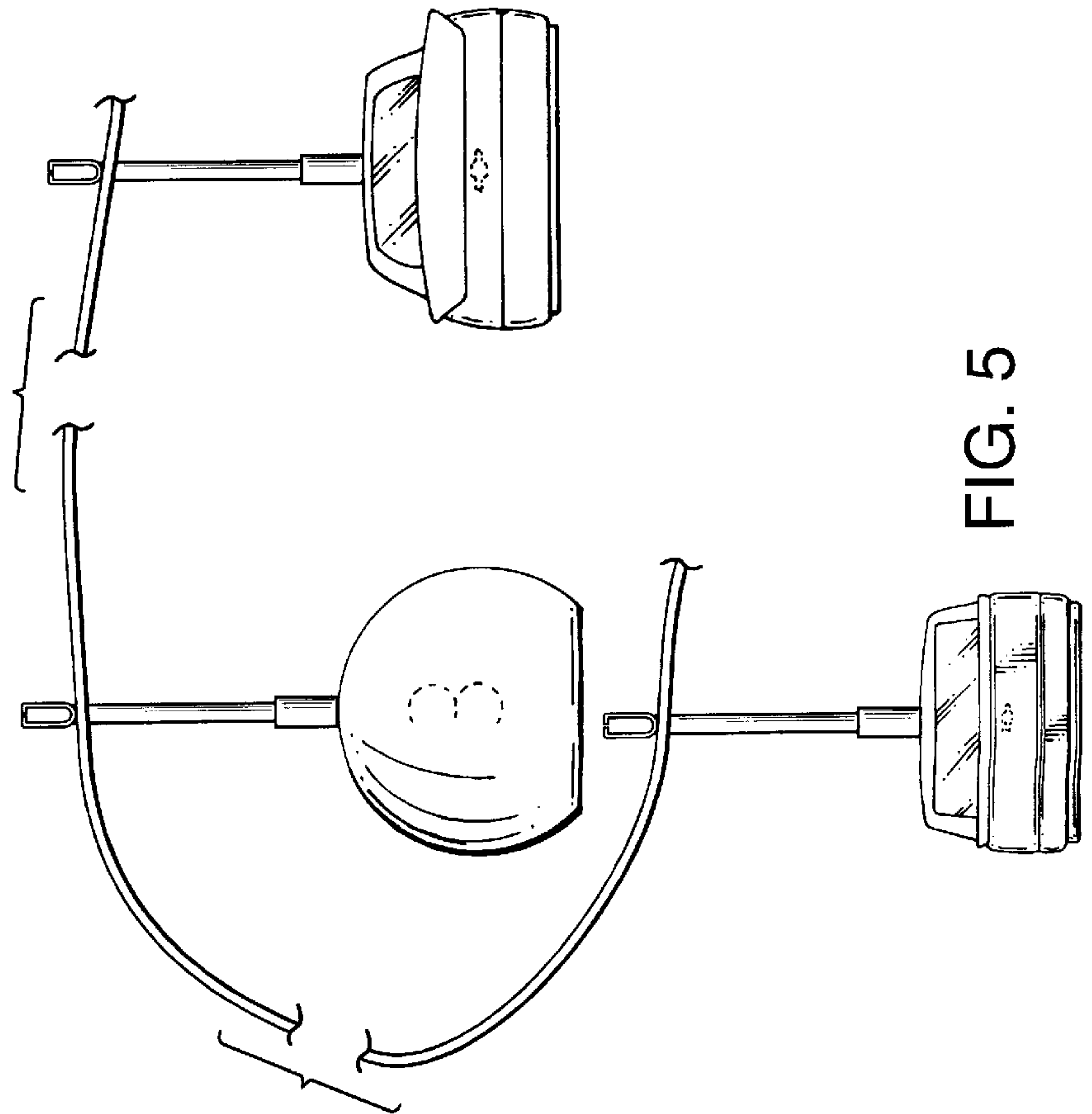


FIG. 5

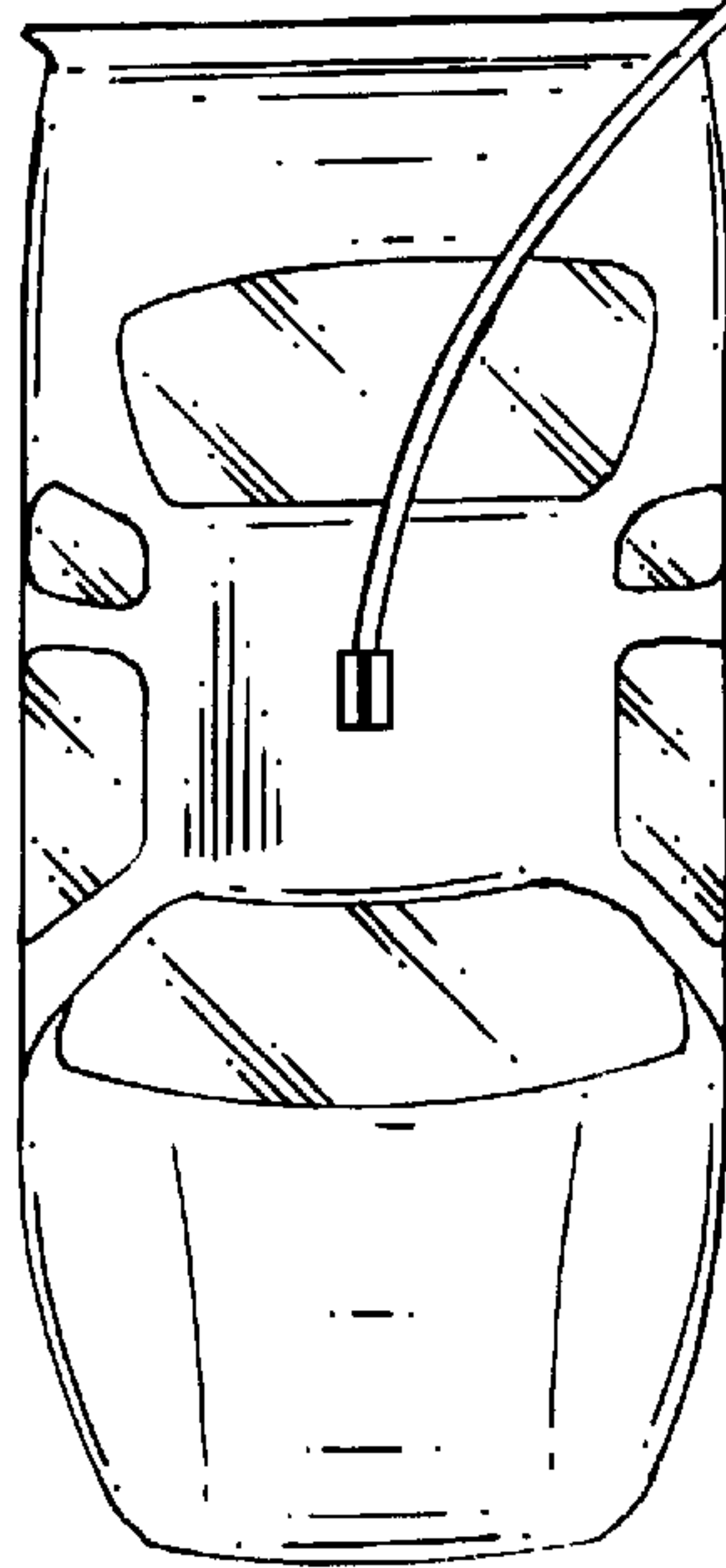


FIG. 6

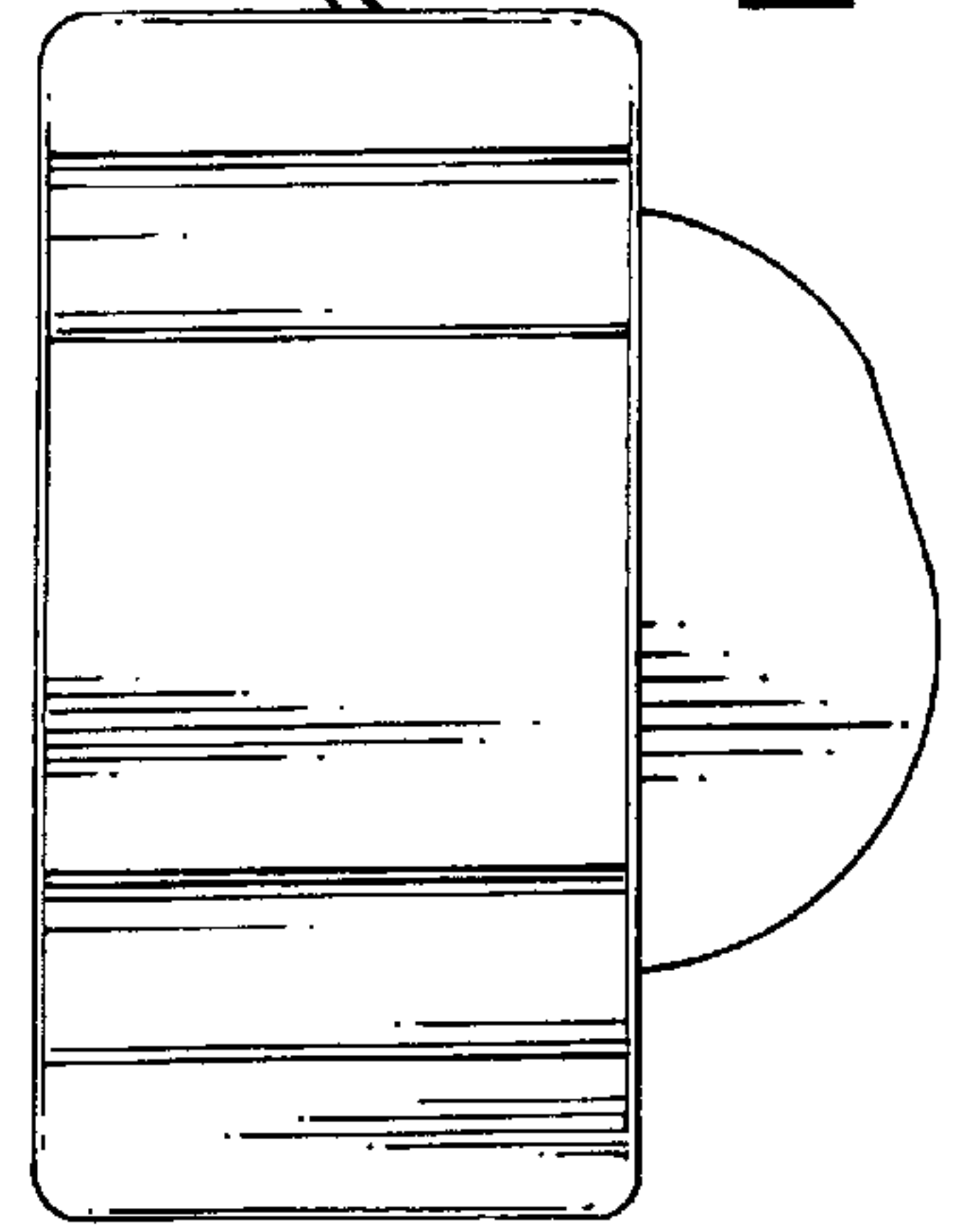
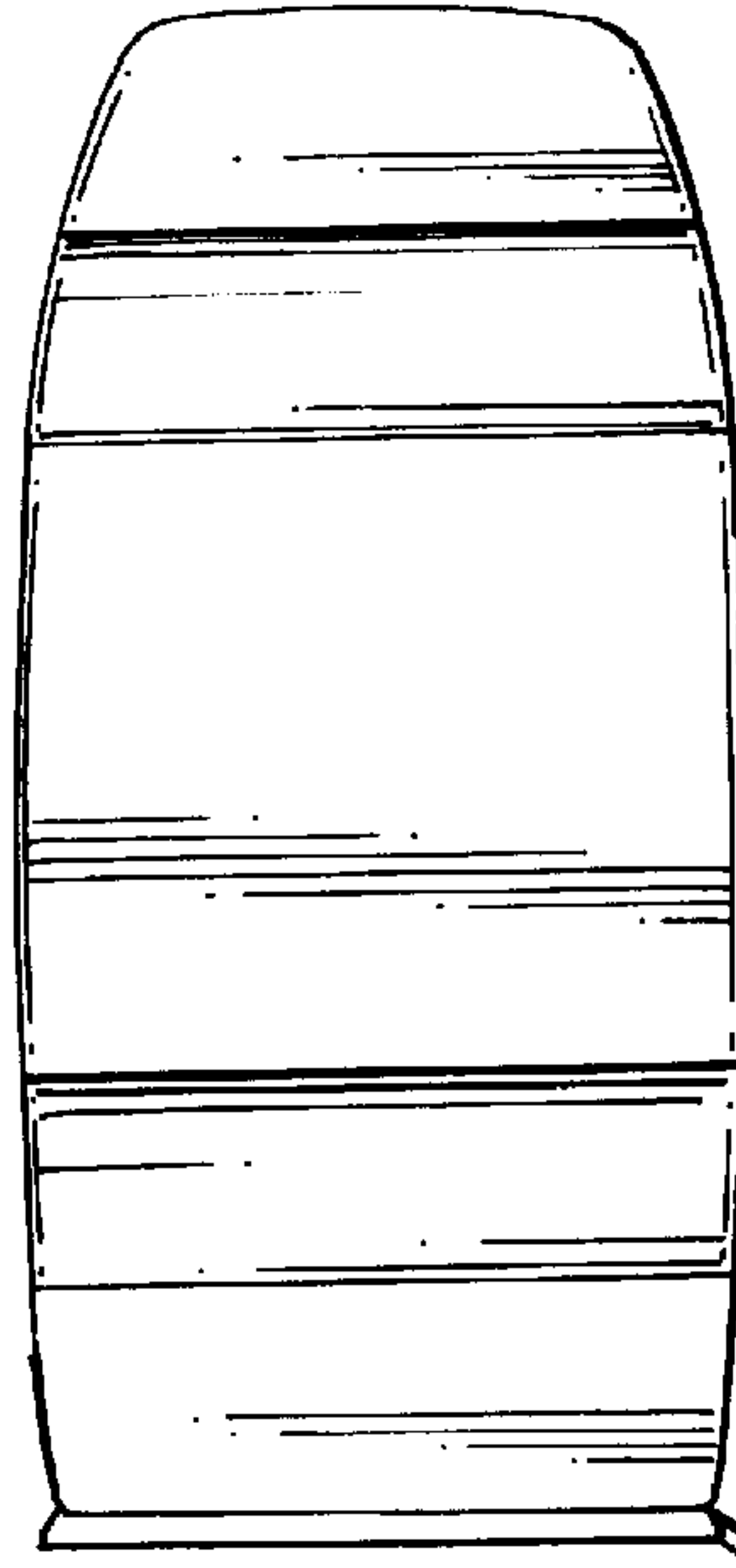
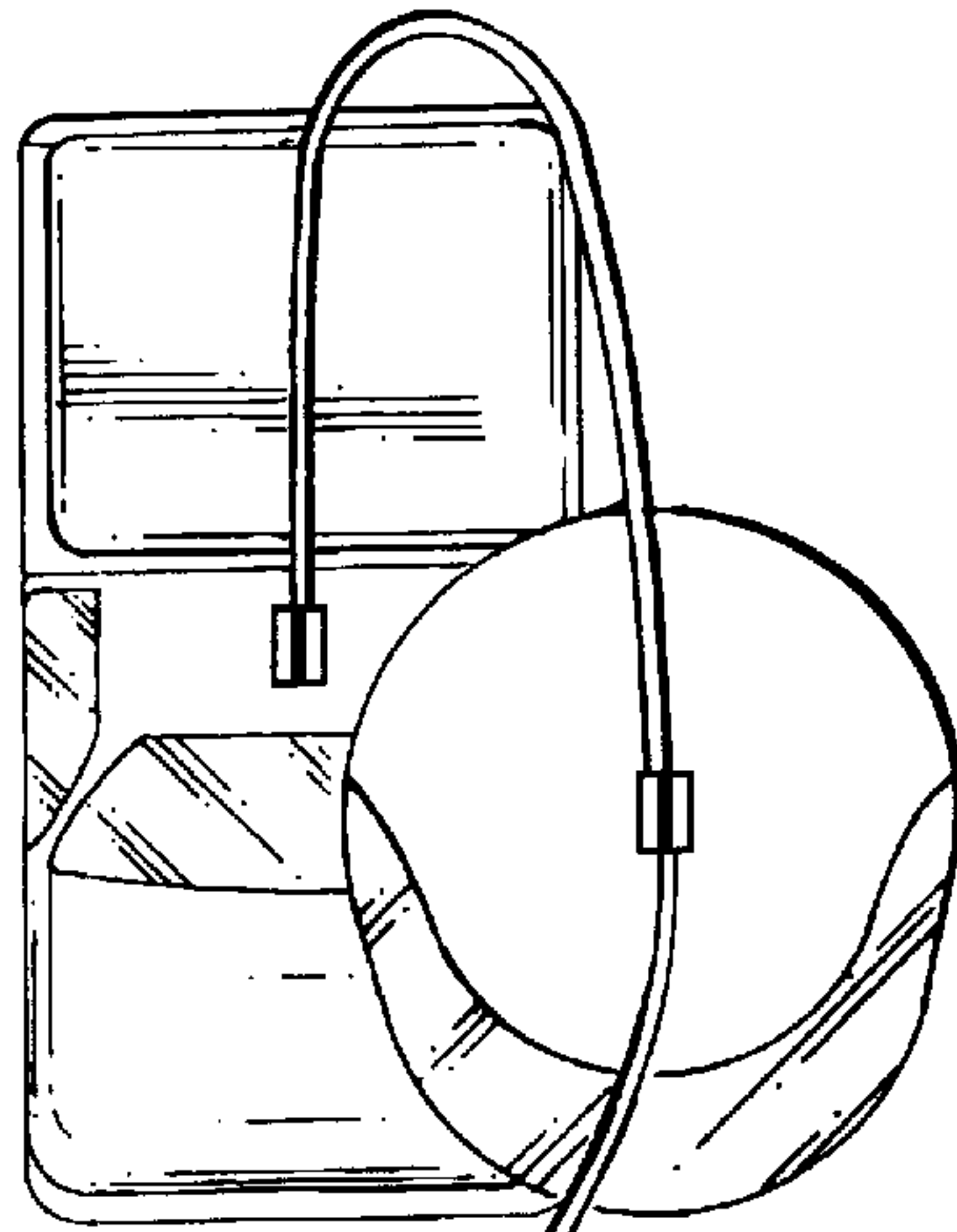


FIG. 7