



US00D433168S

United States Patent [19] Cousins

[11] Patent Number: Des. 433,168

[45] Date of Patent: ** Oct. 31, 2000

[54] STACKING MODULAR CANDLE HOLDER

4,693,681 9/1987 Comstock 431/324

[75] Inventor: Morison S. Cousins, Winter Park, Fla.

Primary Examiner—Robin V. Taylor
Attorney, Agent, or Firm—Taylor J. Ross

[73] Assignee: Dart Industries Inc., Orlando, Fla.

[57] CLAIM

[**] Term: 14 Years

The ornamental design for a stacking modular candle holder, as shown and described.

[21] Appl. No.: 29/112,337

[22] Filed: Oct. 14, 1999

DESCRIPTION

[51] LOC (7) Cl. 26-01

[52] U.S. Cl. D26/9

[58] Field of Search D26/6, 9, 11; 431/324,
431/125, 320; 362/810

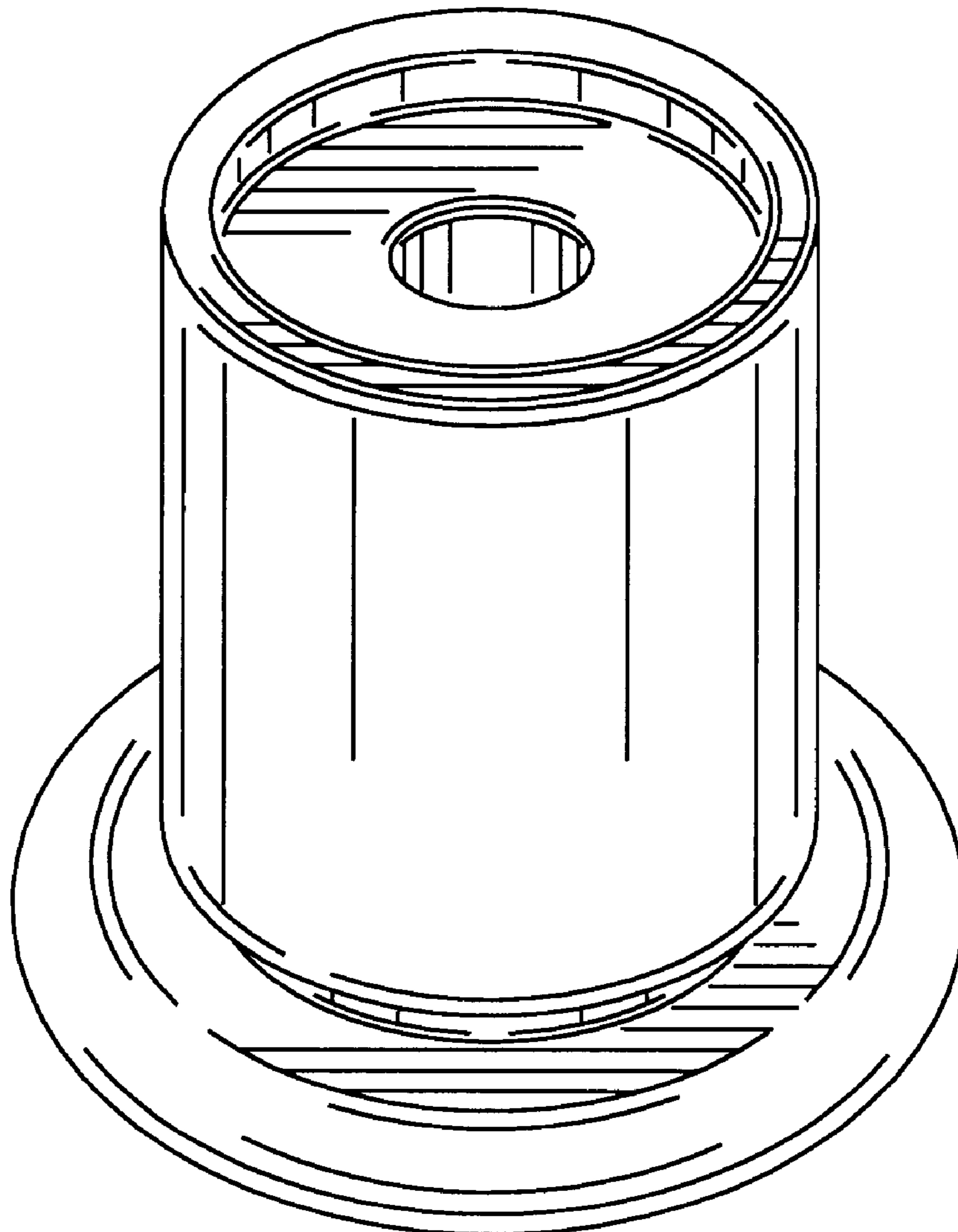
FIG. 1 is a top, side and front perspective view of a stacking modular candle holder showing the new design;
FIG. 2 is an exploded top, side and front perspective view;
FIG. 3 is an exploded bottom, side and front perspective view thereof;
FIG. 4 is a front elevation view thereof;
FIG. 5 is a rear elevation view thereof;
FIG. 6 is a right side elevation view thereof;
FIG. 7 is a left side elevation view thereof;
FIG. 8 is a top plan view thereof; and,
FIG. 9 is a bottom plan view thereof.

[56] References Cited

U.S. PATENT DOCUMENTS

D. 301,749	6/1989	Comstock	D26/9
D. 371,212	6/1996	Hardy	D26/9
D. 371,213	6/1996	Hardy	D26/9
2,441,242	5/1948	Harkins	431/324

1 Claim, 3 Drawing Sheets



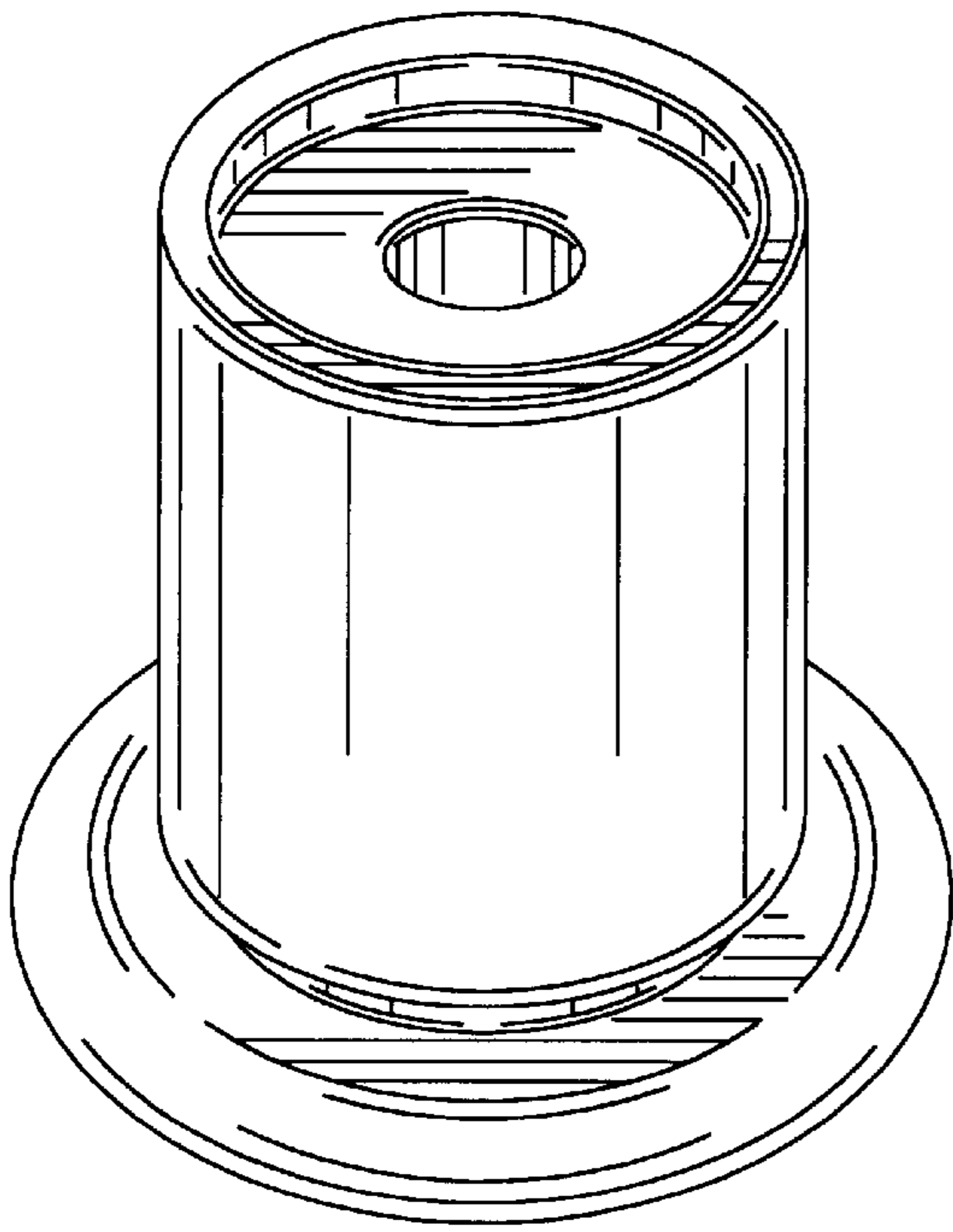


FIG. 1

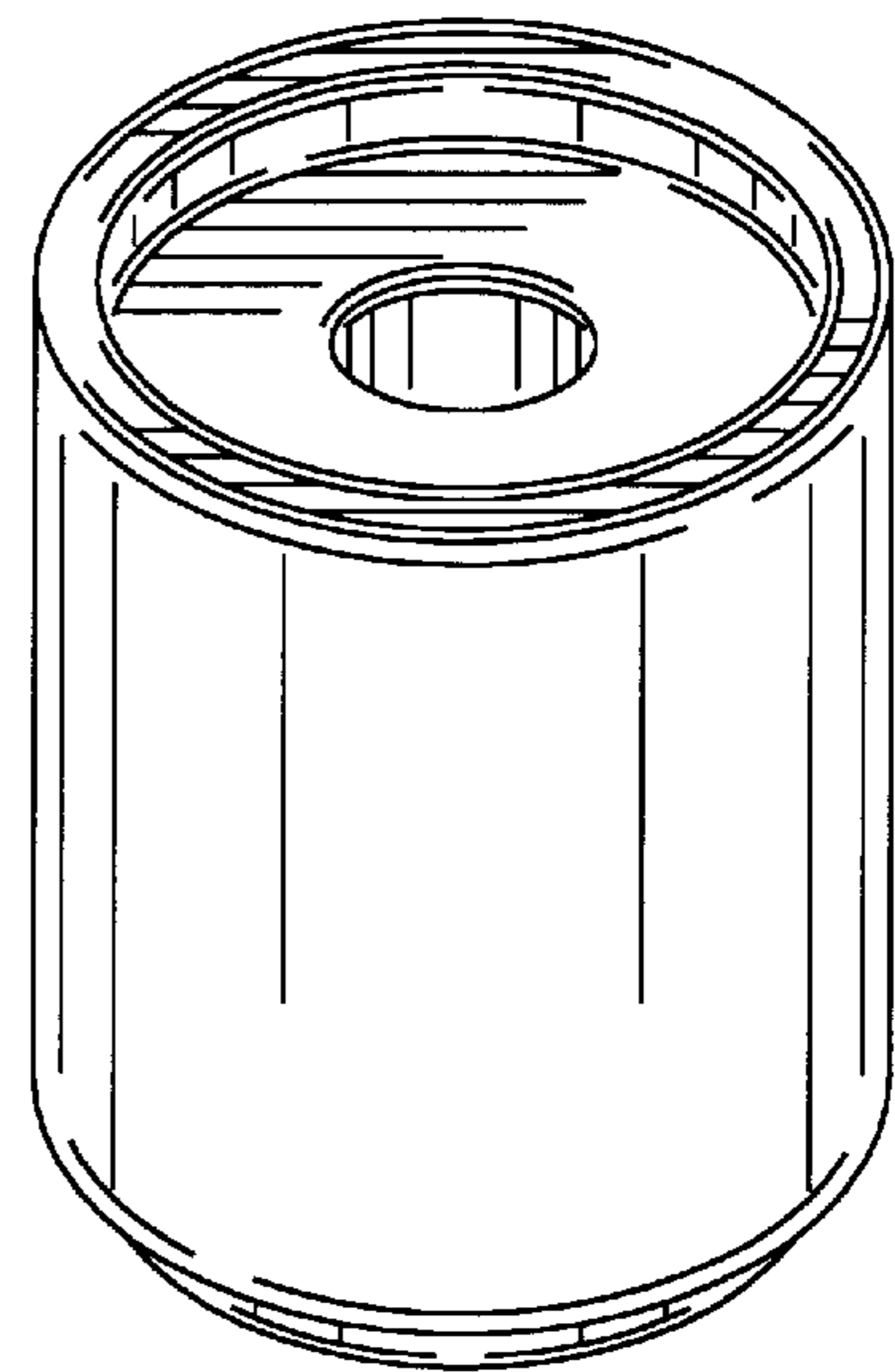


FIG. 2

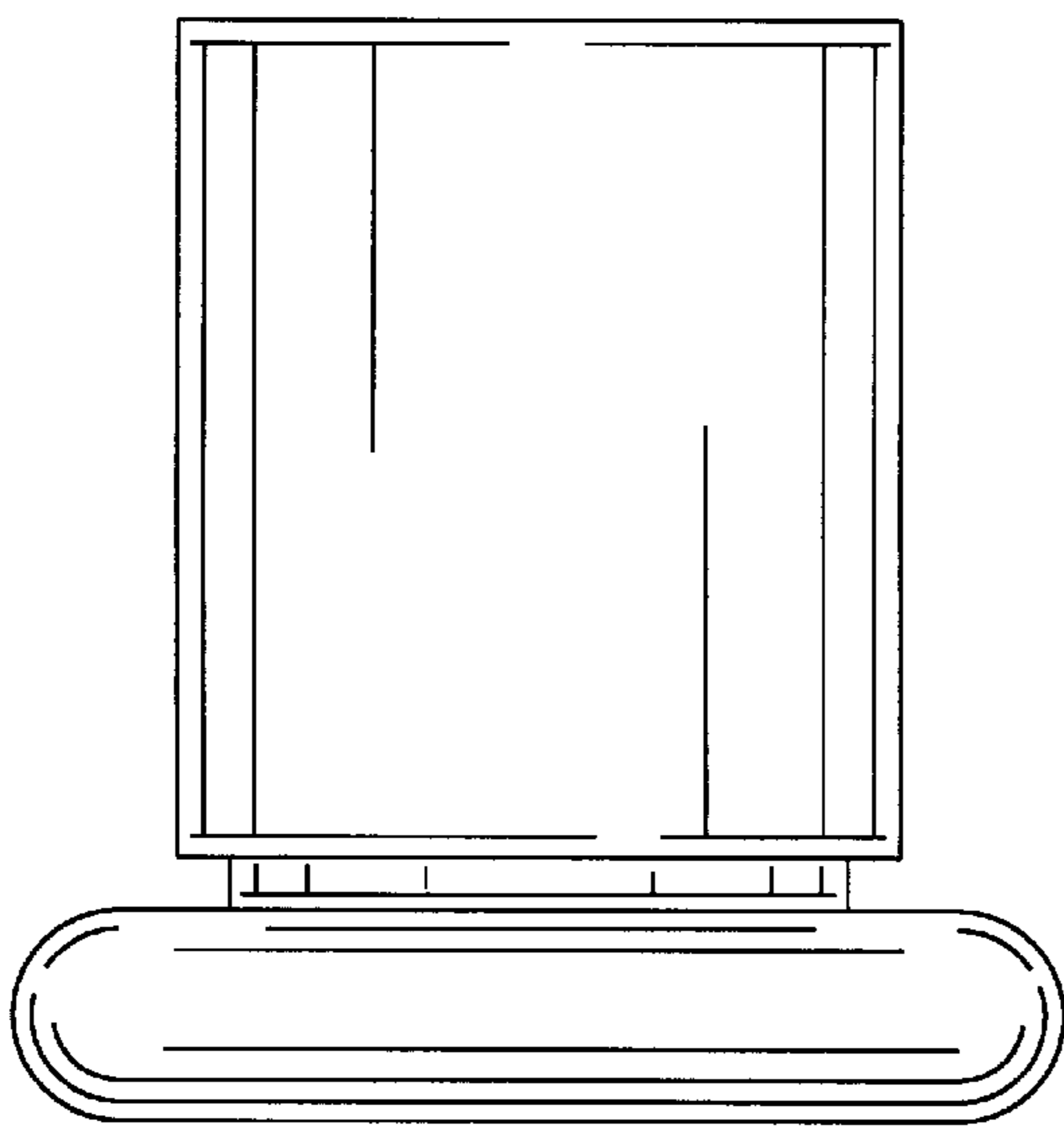
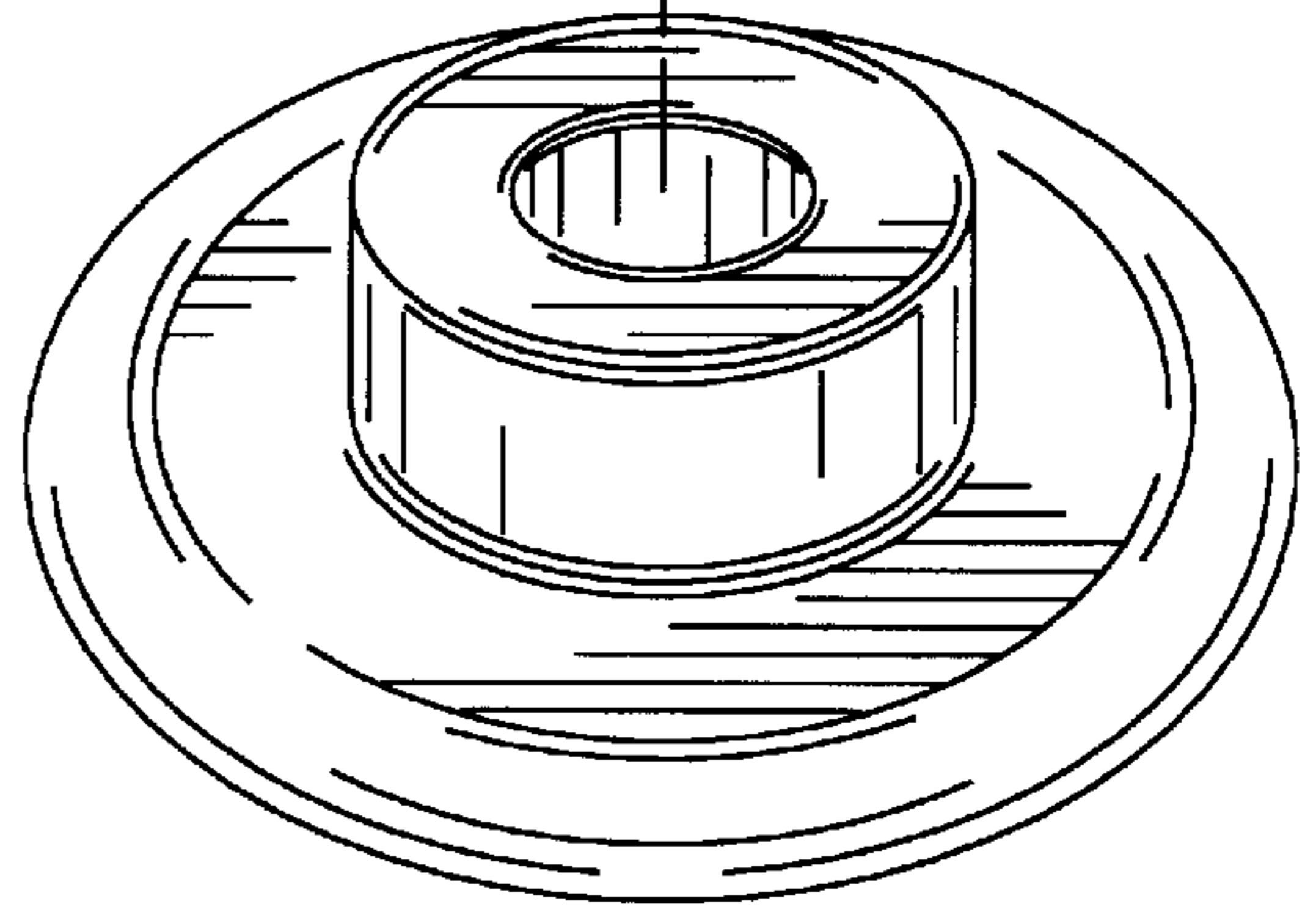


FIG. 4

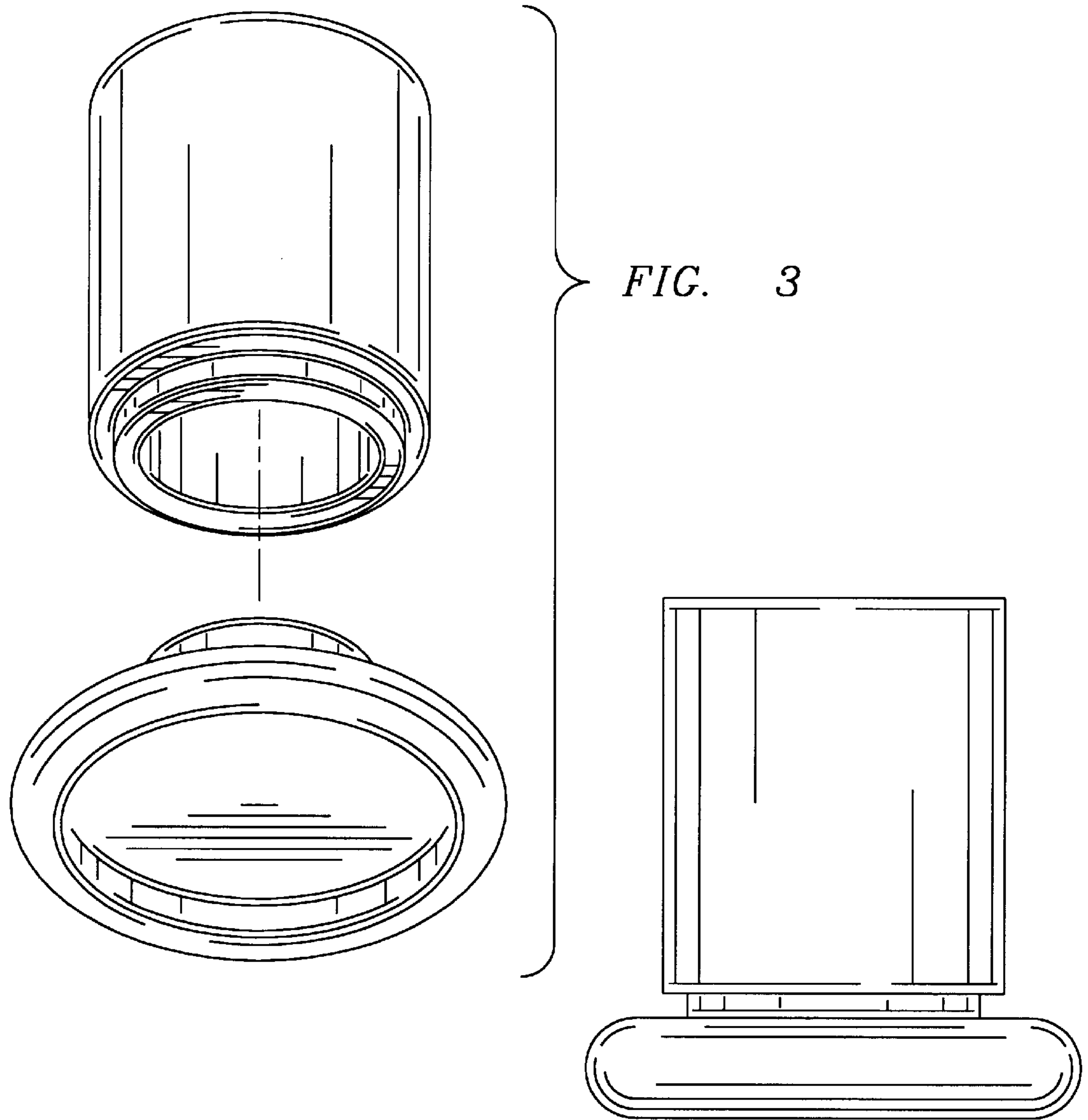


FIG. 3

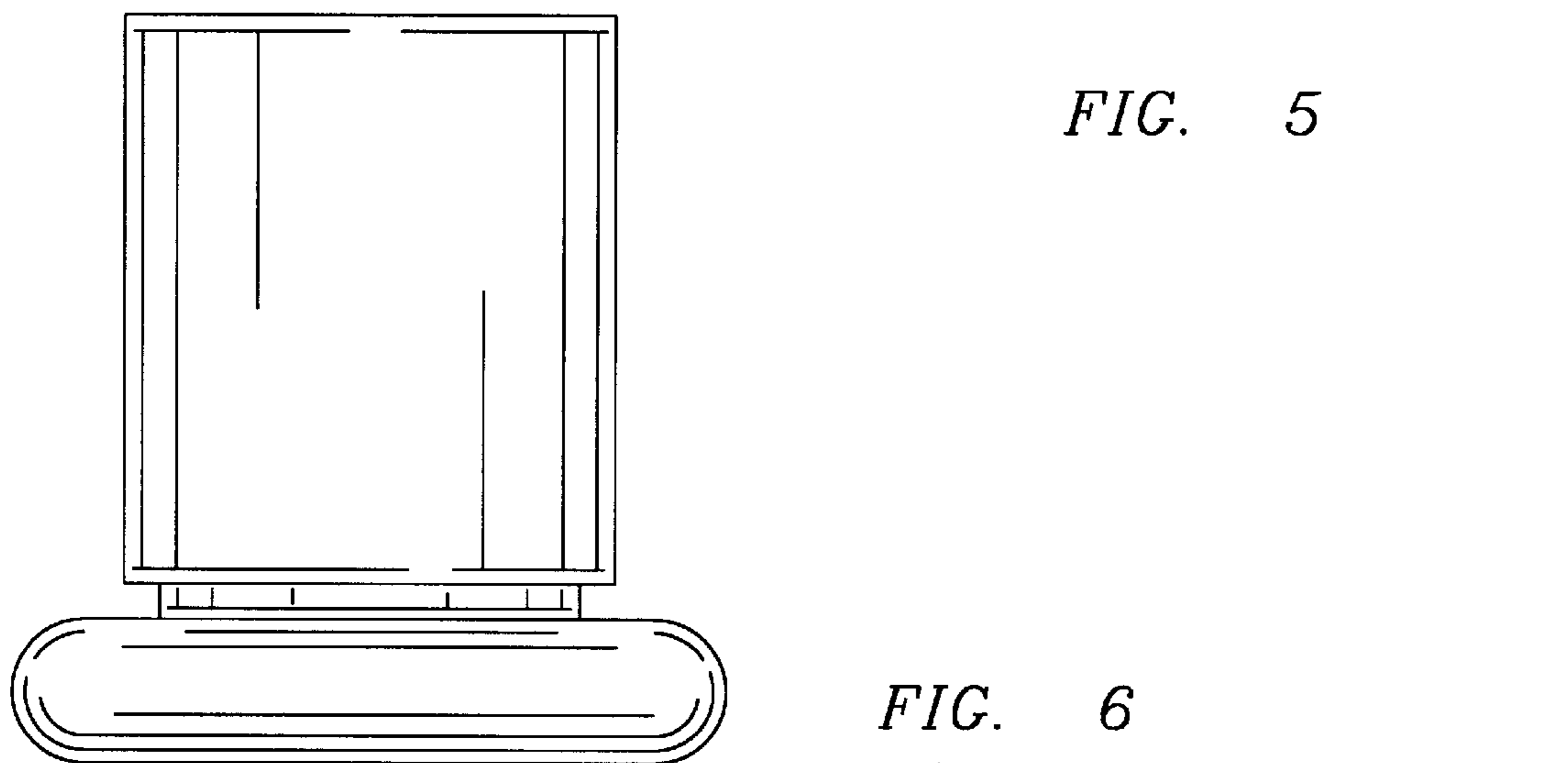


FIG. 5

FIG. 6

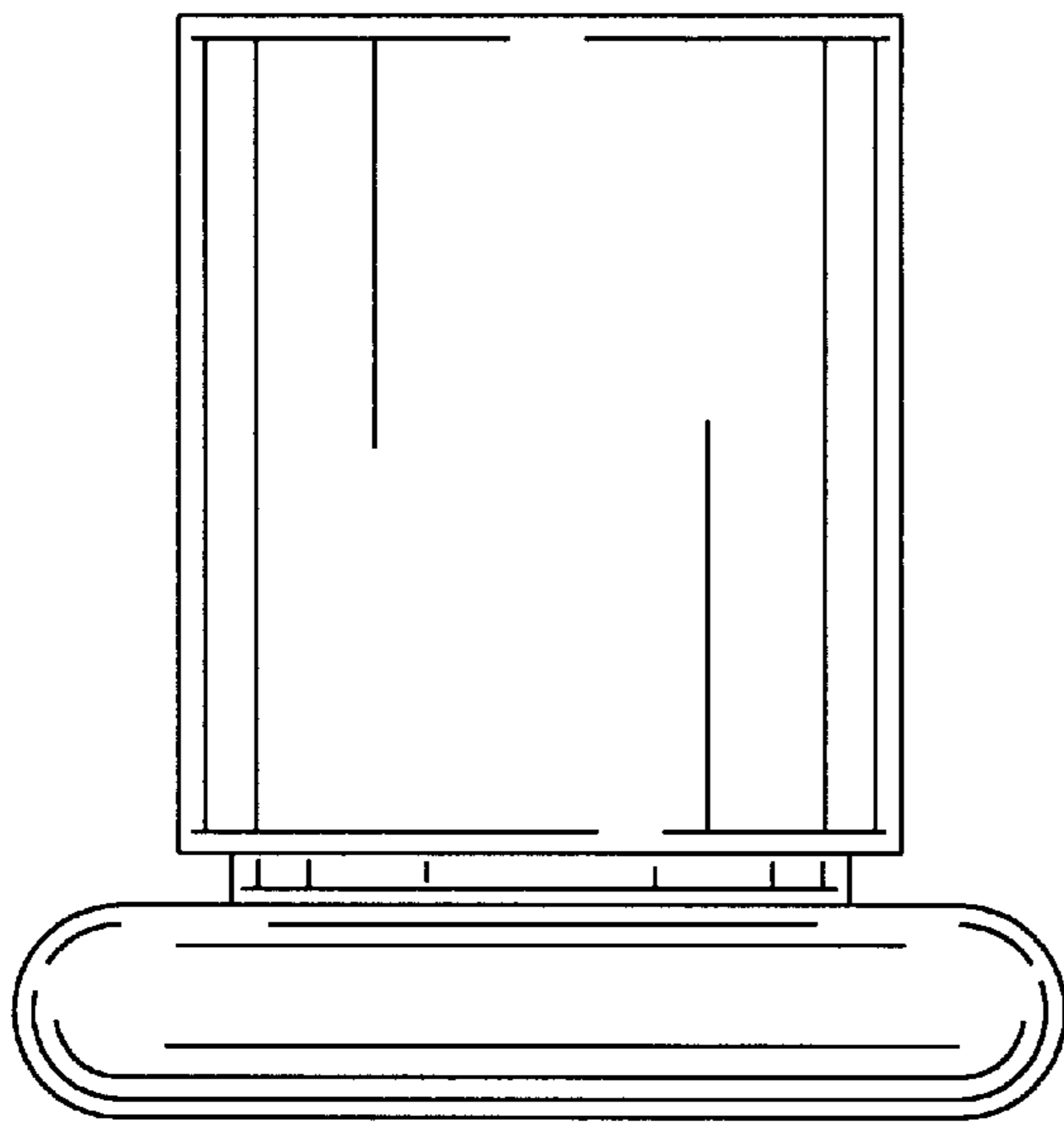


FIG. 7

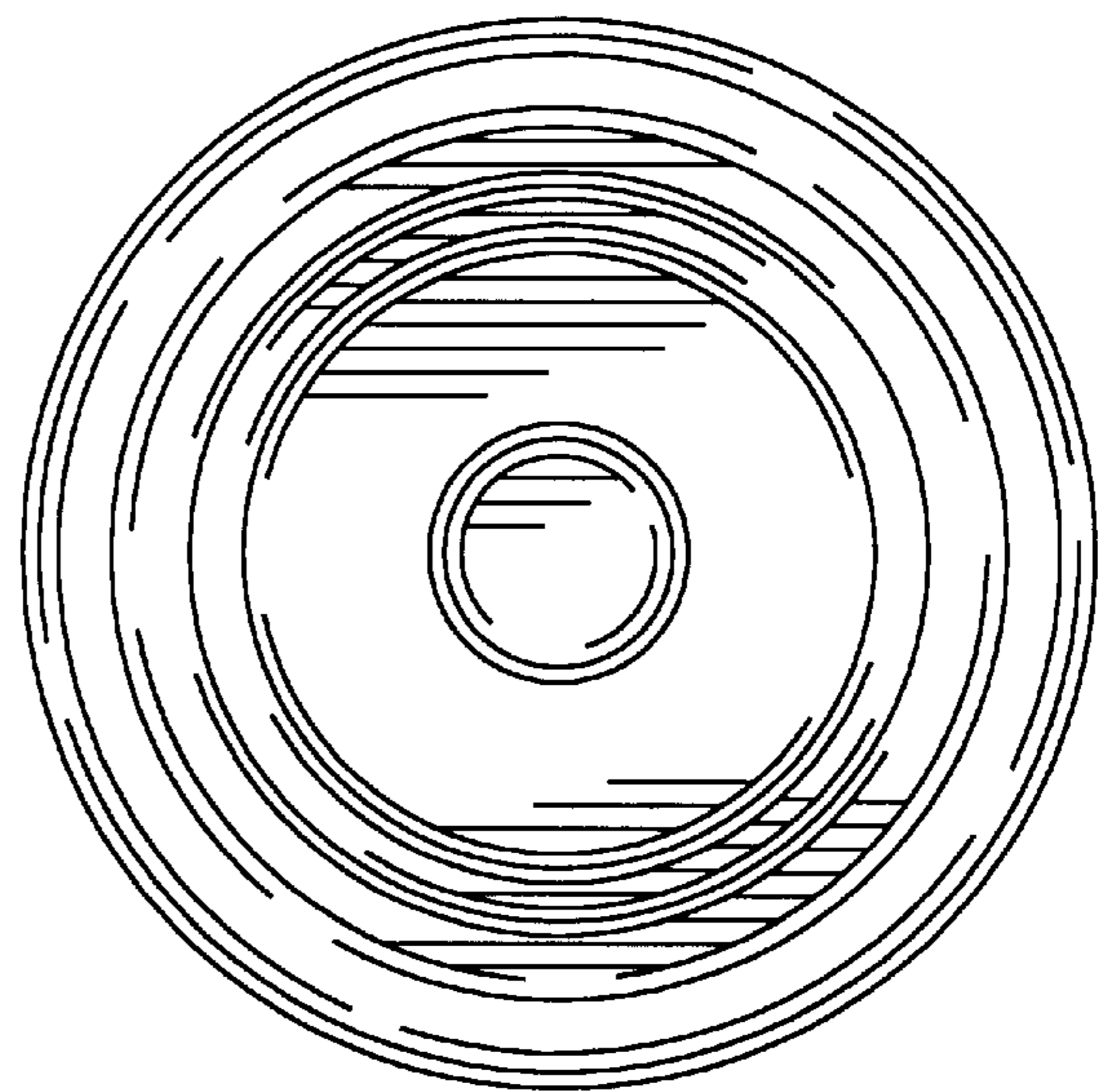


FIG. 8

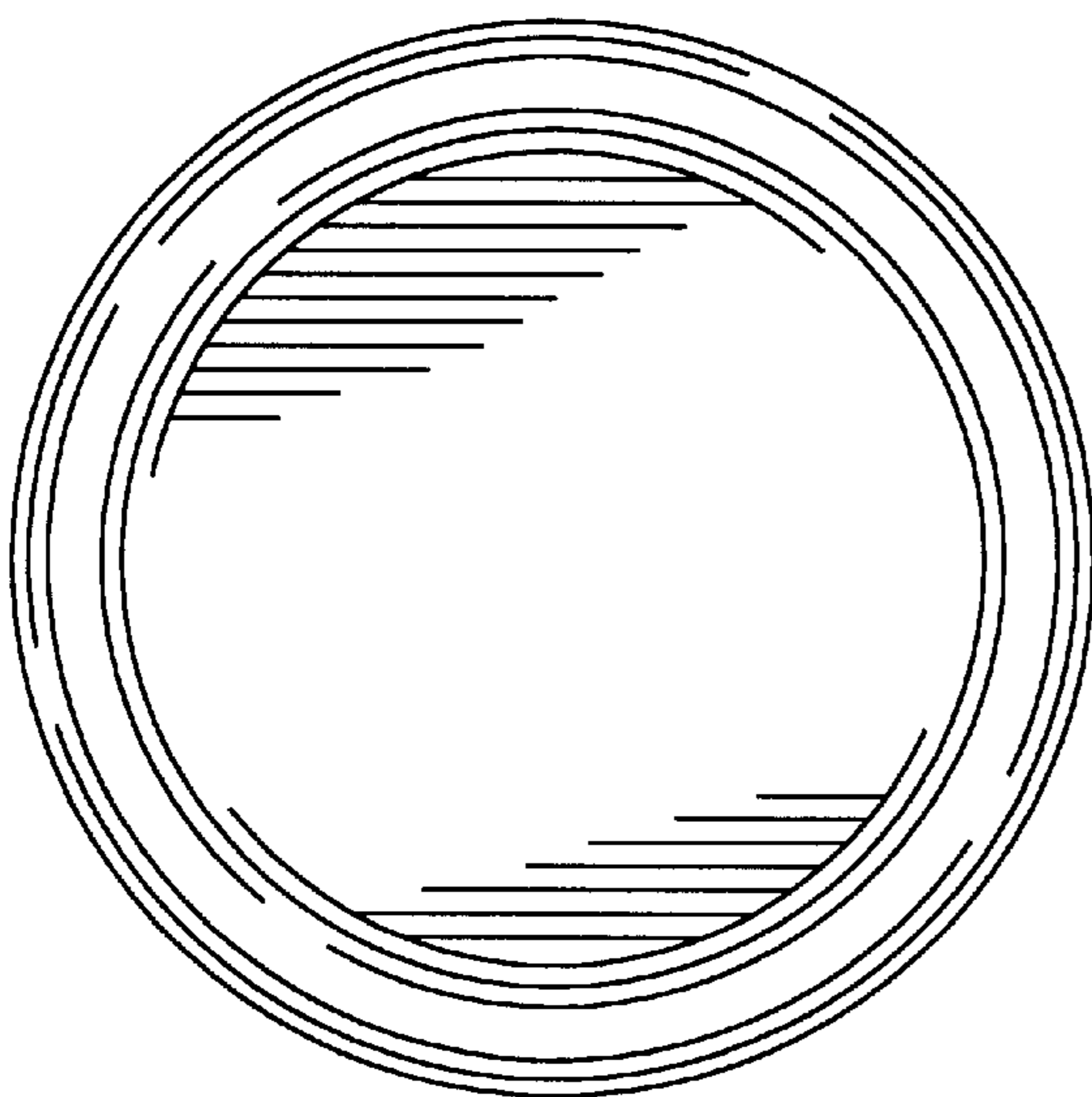


FIG. 9