



US00D433167S

United States Patent [19] Yim

[11] **Patent Number: Des. 433,167**

[45] **Date of Patent: ** Oct. 31, 2000**

[54] **ENERGY SAVING LIGHT**

D. 420,155 2/2000 Kato et al. D26/2
D. 424,218 5/2000 Yu D26/2
D. 441,890 2/1999 Kato et al. D26/2

[75] Inventor: **Kin Kuo Yim**, Kowloon, The Hong Kong Special Administrative Region of the People's Republic of China

Primary Examiner—Marcus A. Jackson
Attorney, Agent, or Firm—Salter & Michaelson

[73] Assignee: **Super Trend Lighting Limited**, Kowloon, The Hong Kong Special Administrative Region of the People's Republic of China

[57] **CLAIM**

The ornamental design for an energy saving light, as shown and described.

[**] Term: **14 Years**

DESCRIPTION

[21] Appl. No.: **29/119,698**

FIG. 1 is a perspective view of an energy saving light showing my new design;

[22] Filed: **Mar. 6, 2000**

FIG. 2 is a right side elevational view thereof (the left side elevational view, the top plan view and bottom plan view being mirror images thereof).

[51] **LOC (7) Cl.** **26-06**

[52] **U.S. Cl.** **D26/2**

[58] **Field of Search** D26/1, 2, 3, 4, D26/26; 313/313, 315, 318, 493; 315/52, 53, 56, 57

FIG. 3 is a front elevational view thereof;

FIG. 4 is a rear elevational view thereof; and,

FIG. 5 is an exploded view thereof.

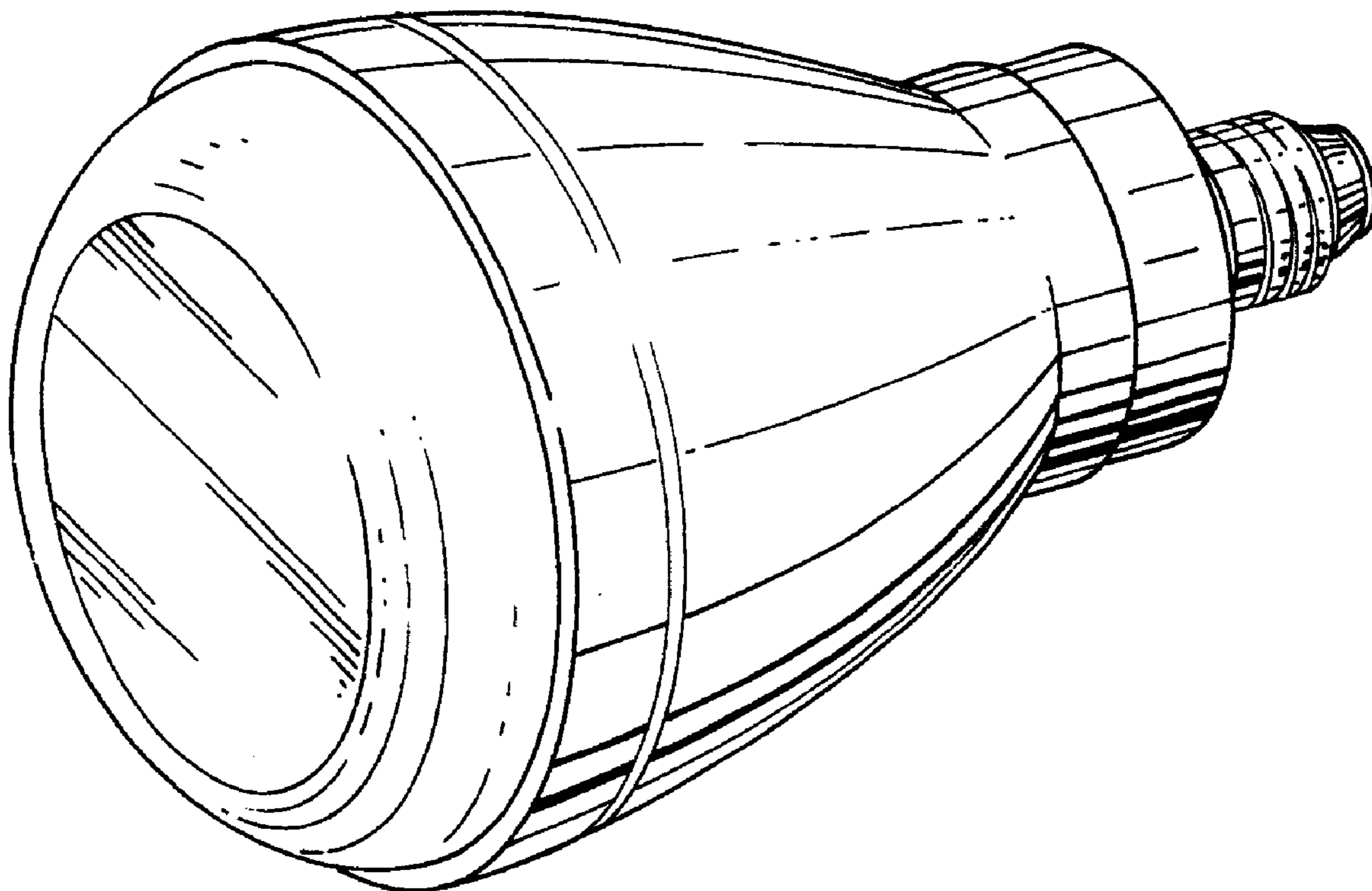
The portion shown in broken lines in FIG. 5 is included for illustrative purposes only and forms no part of the claimed design.

[56] **References Cited**

U.S. PATENT DOCUMENTS

D. 360,477 7/1995 Pelton et al. D26/2

1 Claim, 3 Drawing Sheets



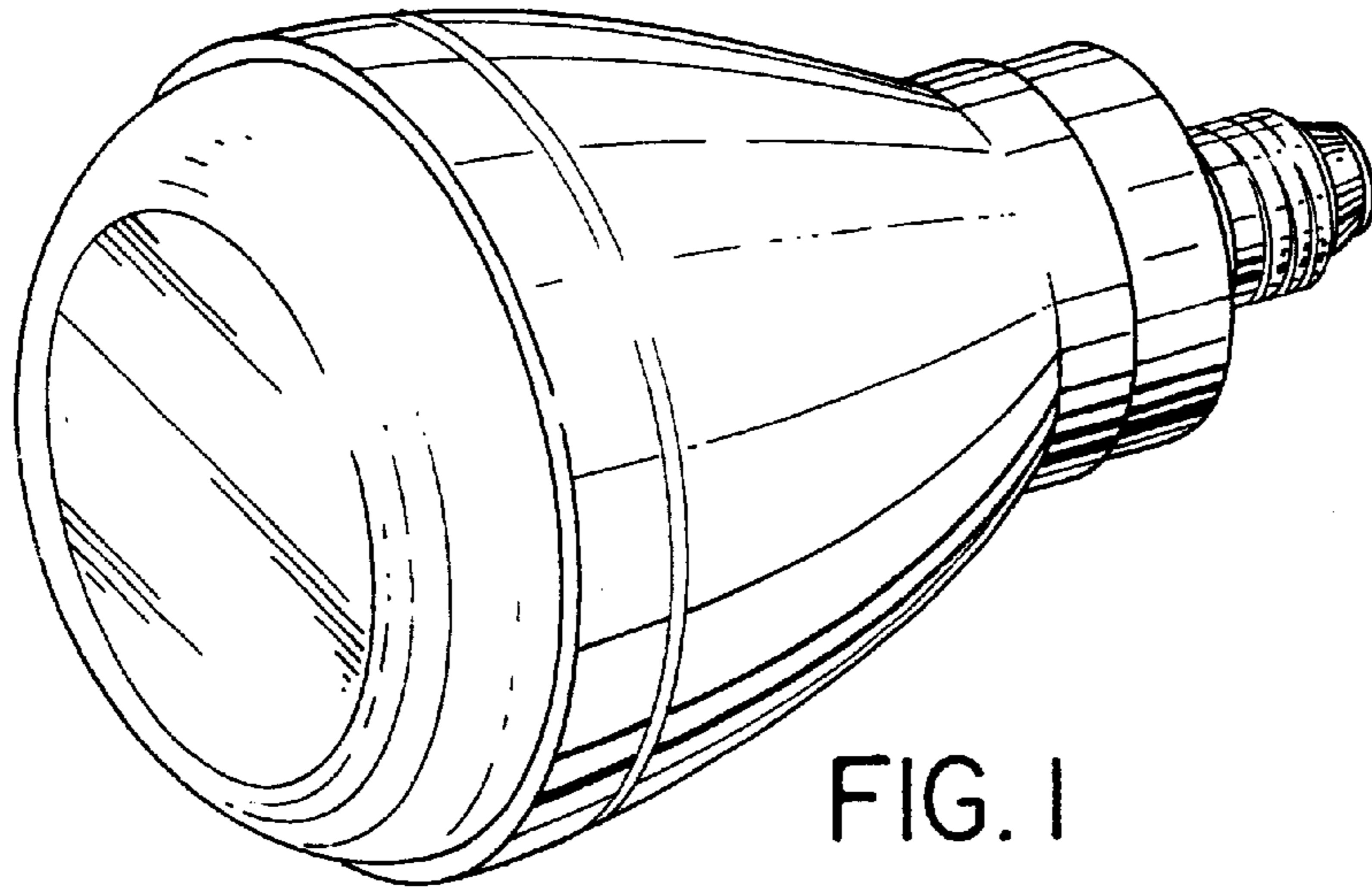


FIG. 1

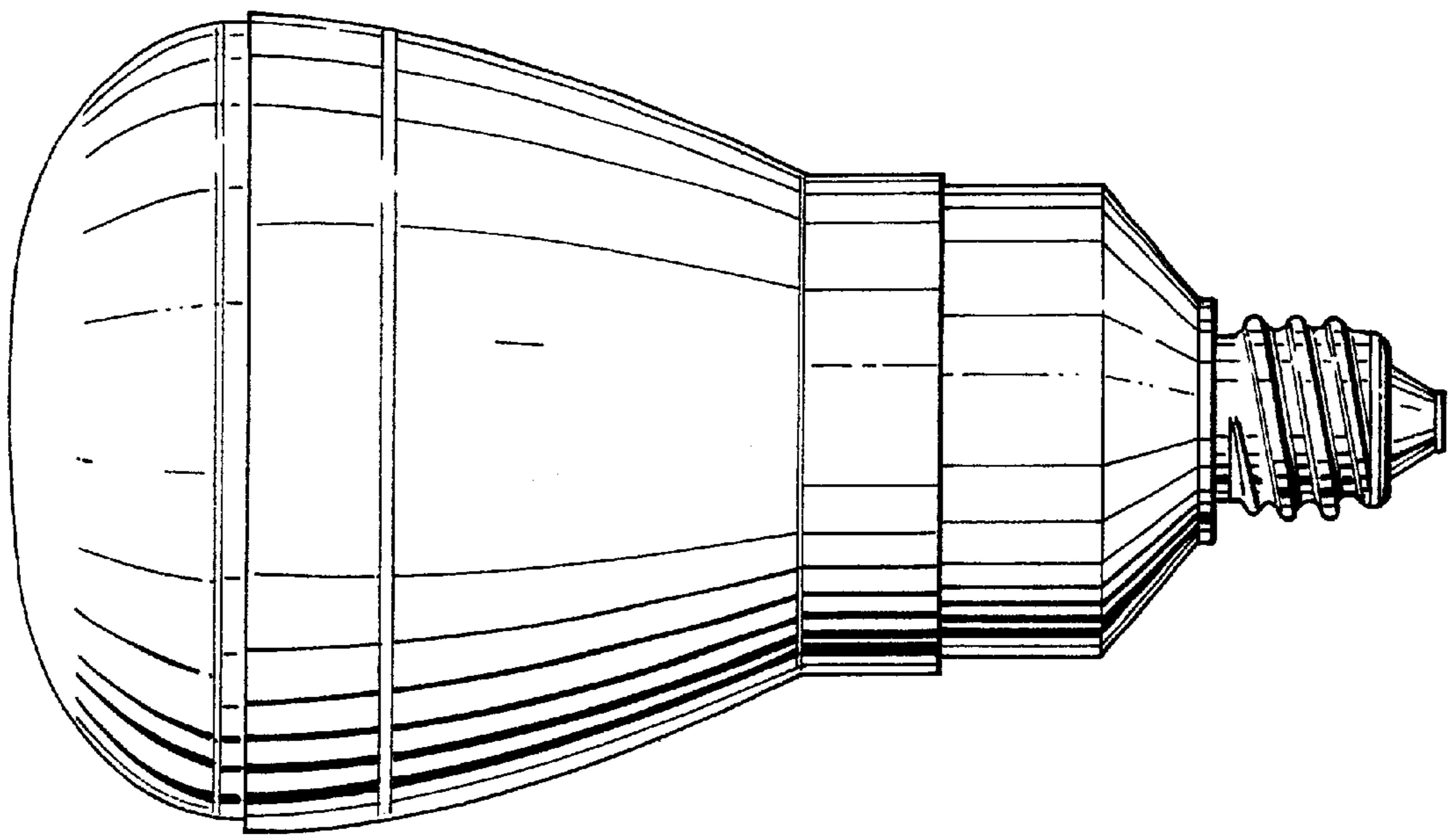


FIG. 2

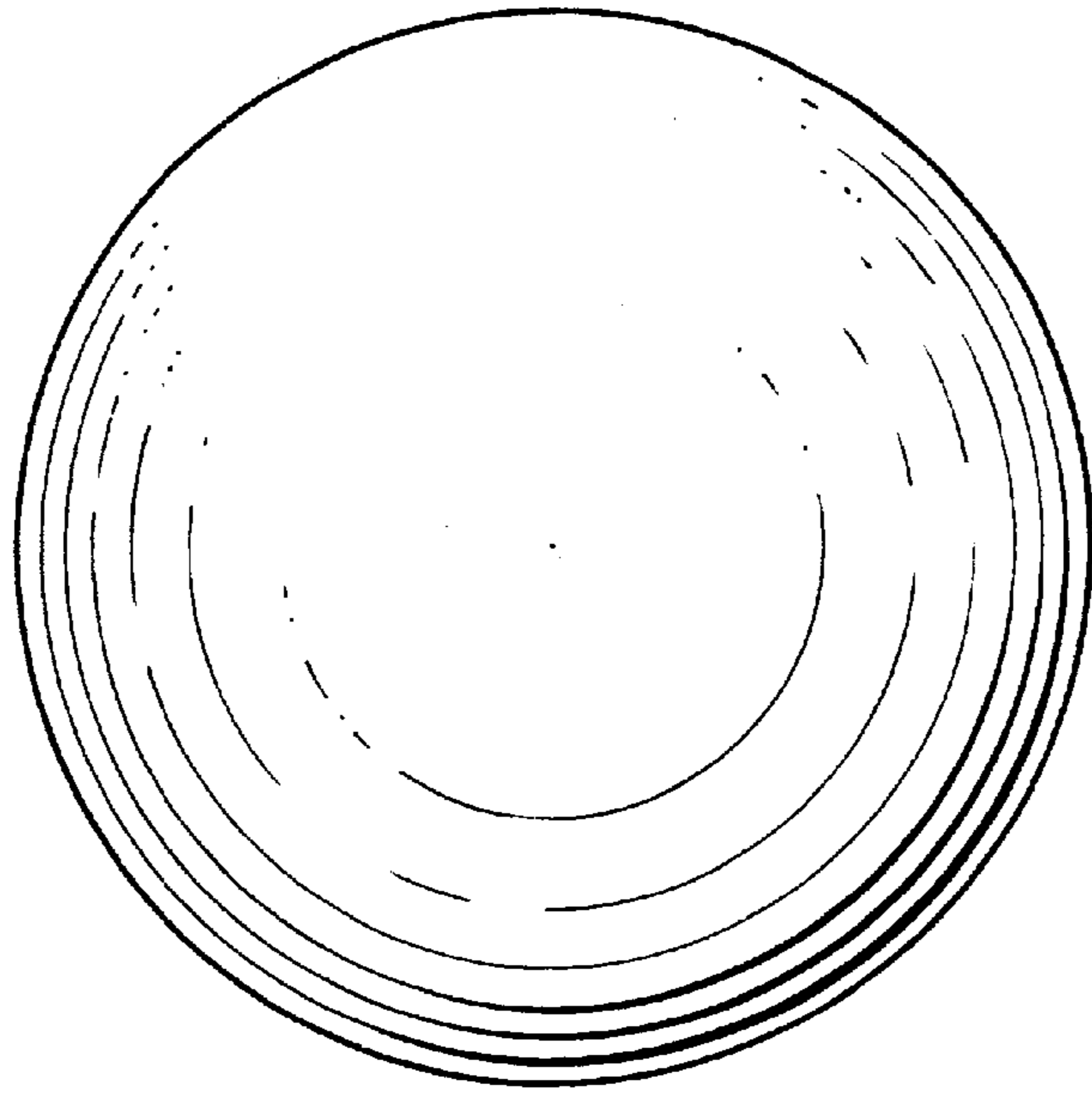


FIG. 3

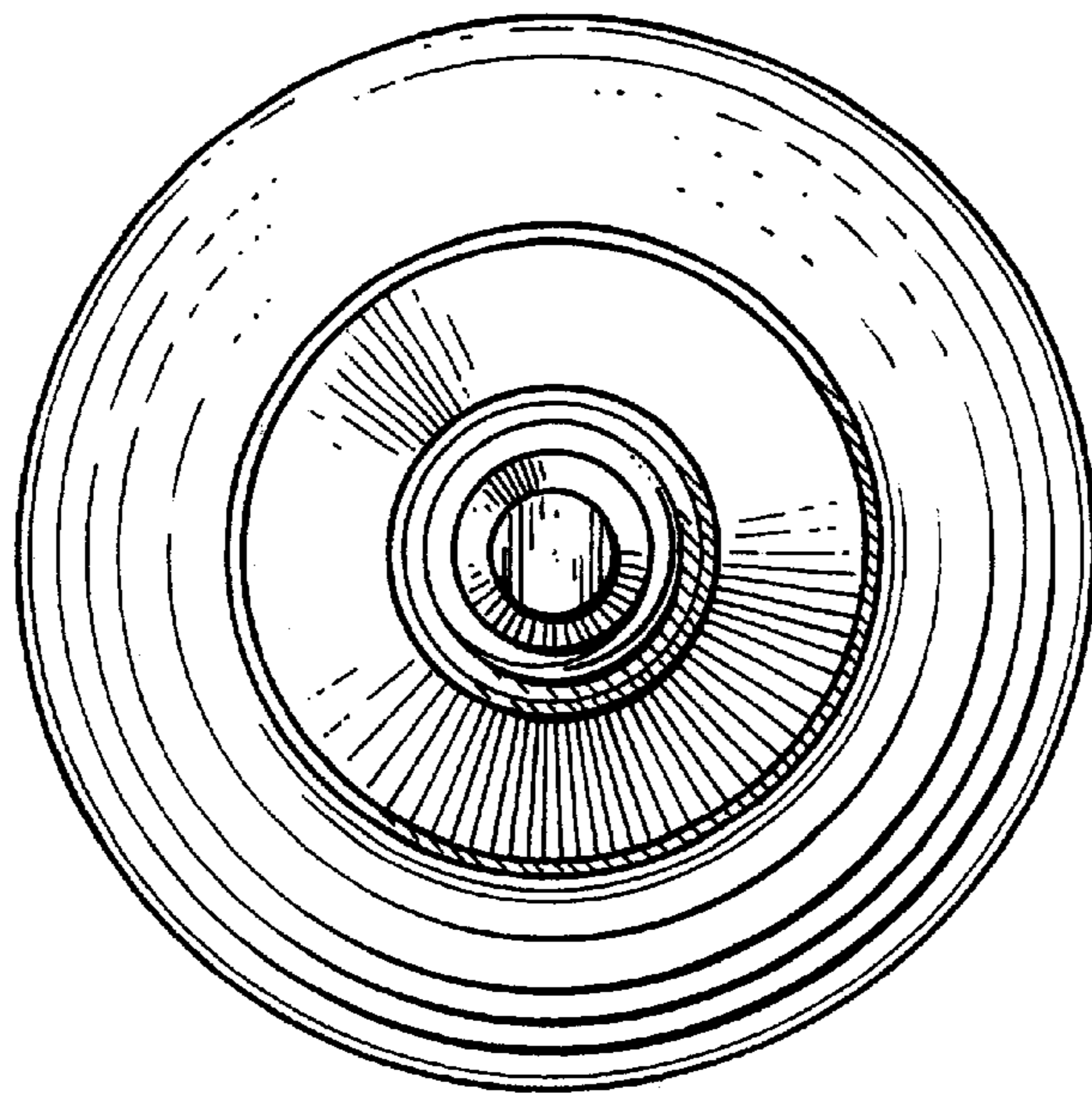


FIG. 4

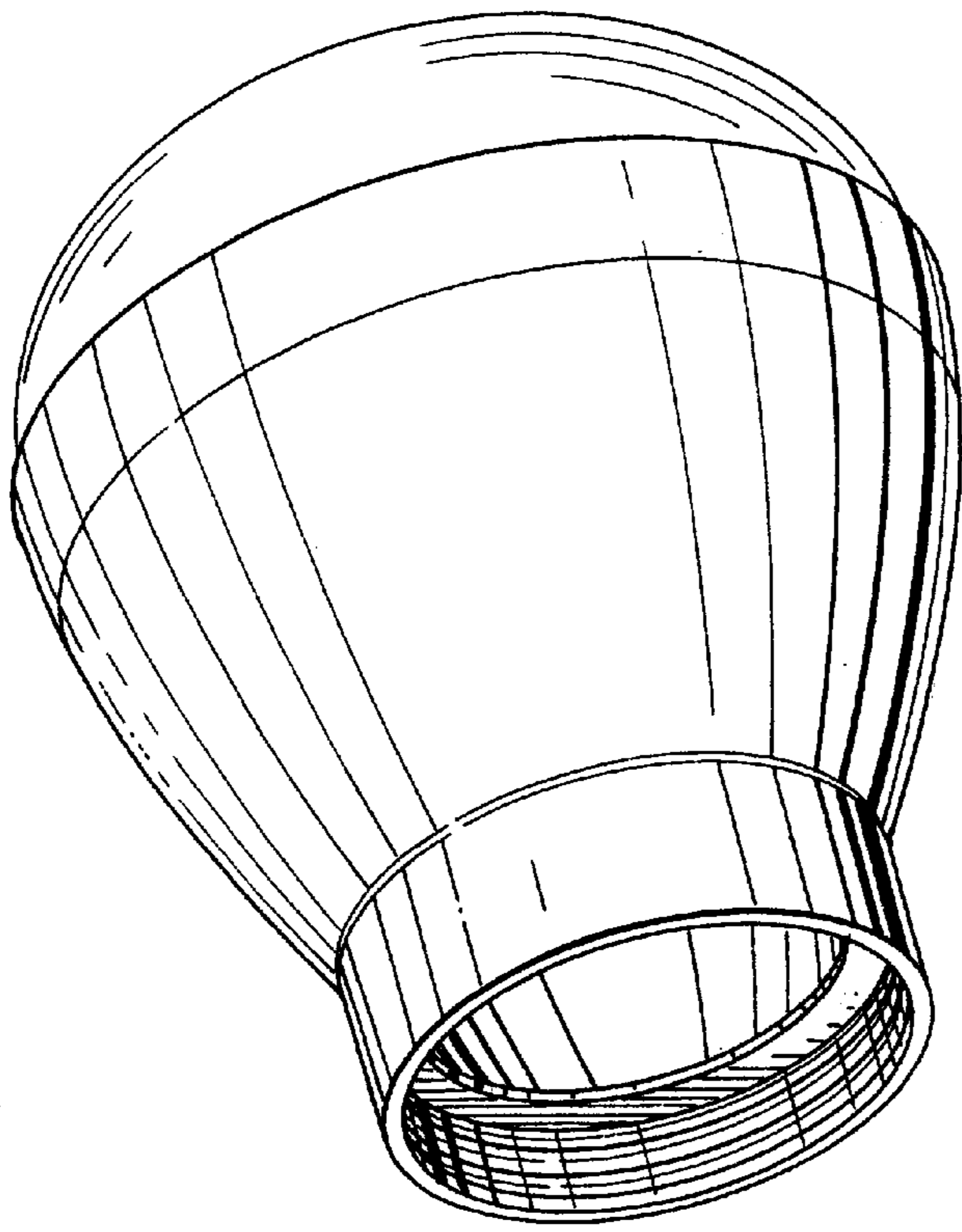


FIG. 5

